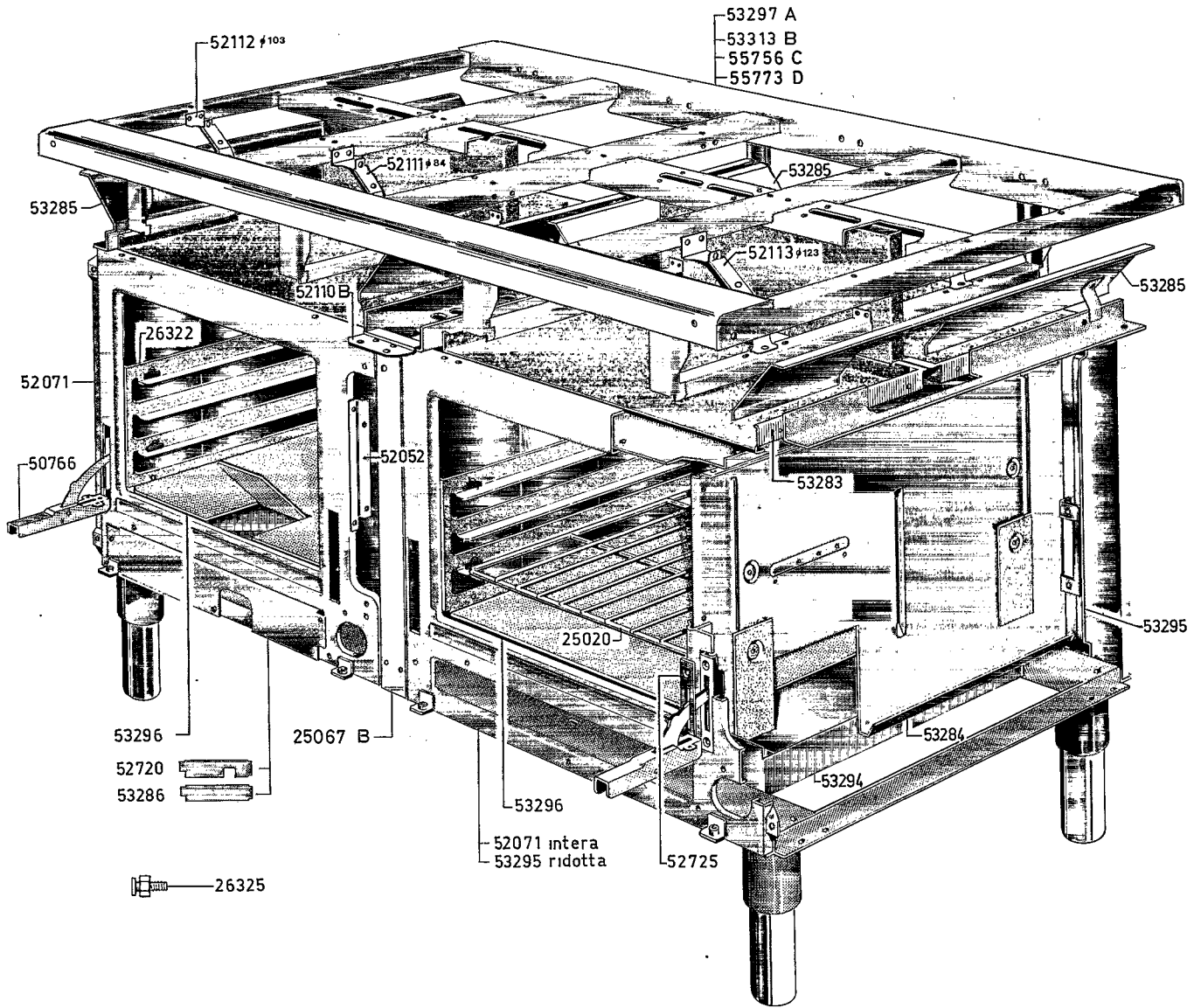


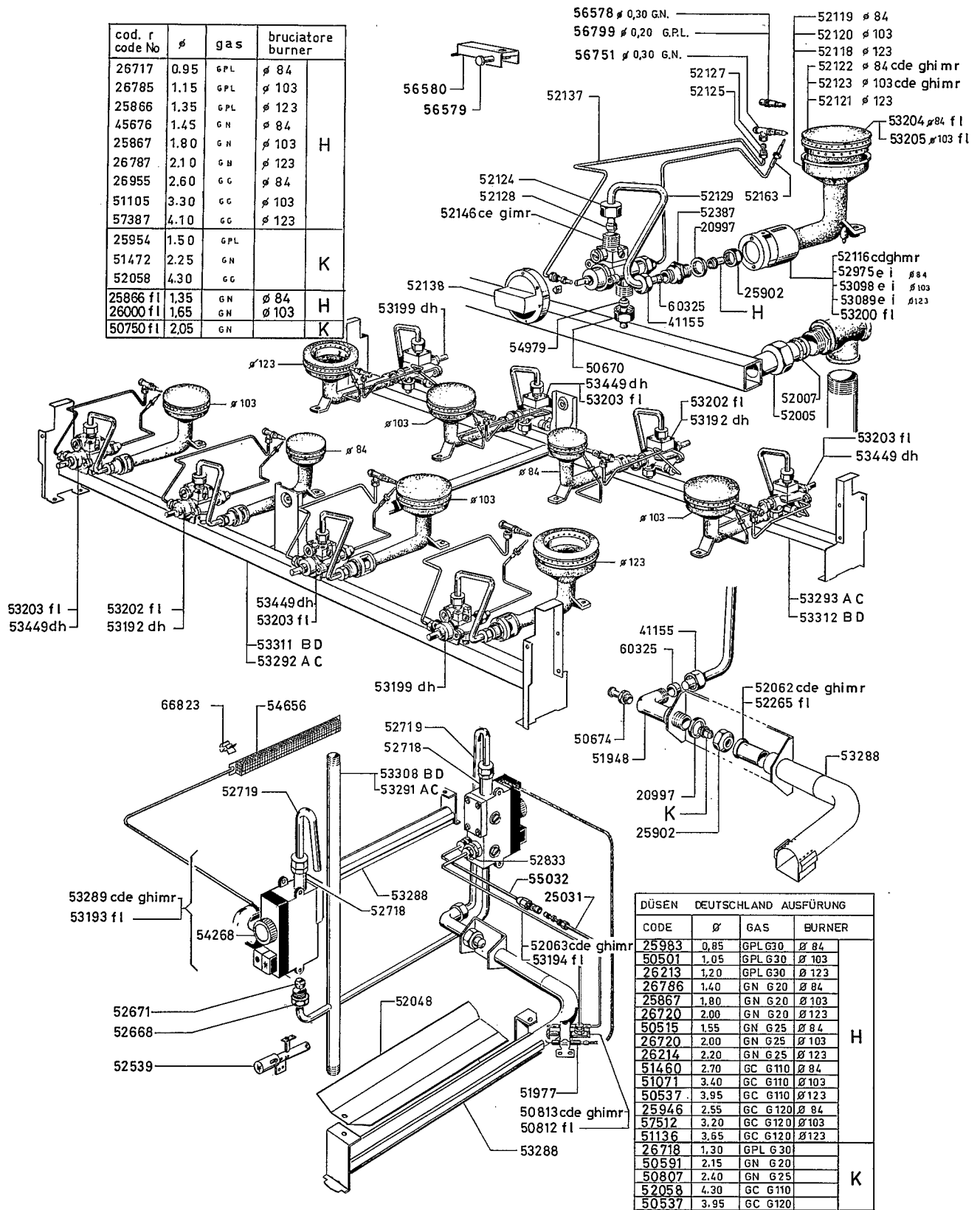
"P 1000" CUCINA A GAS CENTRALE								RIF. Da matr.	
"P 1000" CENTRAL GAS-COOKER								REF. from serial	
A				B				N ^o	
c	d	e	f	g	h	i	l	05 11 82	
272040 PCG 810	272060 PCG 810 D	272043 PCG 810 F	272064 PCG 800 NL	272042 PCG 1610	272062 PCG 1610 D	272045 PCG 1610 F	272066 PCG 1600 NL	1 15 11 88	
C				D					
m				r					
2 CC 02 B				2 CC 06 B					

TCR 1665 03 61-33/34



"P 1000" CUCINA A GAS CENTRALE "P 1000" CENTRAL GAS-COOKER								RIF. REF.	Da matr. from serial No
A				B					05 11 82
c	d	e	f	g	h	i	l		
272040 PCG 810	272060 PCG 810 D	272043 PCG 810 F	272064 PCG 800 NL	272042 PCG 1610	272062 PCG 1610 D	272045 PCG 1610 F	272066 PCG 1600NL		
C				D					
2CC 02 B				2CC 06 B					

cod. r code No	Ø	gas	bruciatore burner
26717	0.95	GPL	Ø 84
26785	1.15	GPL	Ø 103
25866	1.35	GPL	Ø 123
45676	1.45	GN	Ø 84
25867	1.80	GN	Ø 103
26787	2.10	GN	Ø 123
26955	2.60	GC	Ø 84
51105	3.30	GC	Ø 103
57387	4.10	GC	Ø 123
25954	1.50	GPL	
51472	2.25	GN	
52058	4.30	GC	
25866 fl	1.35	GN	Ø 84
26000 fl	1.65	GN	Ø 103
50750 fl	2.05	GN	



"P 1000" CUCINA A GAS CENTRALE "P 1000" CENTRAL GAS-COOKER								RIF. Da matr. REF. from-serial No
A				B				05 11 82
c	d	e	f	g	h	i	l	
272040 PCG 810	272060 PCG 810 D	272043 PCG 810 F	272064 PCG 800NL	272042 PCG 1610	272062 PCG 1610 D	272045 PCG 1610 F	272066 PCG1600NL	
C				D				
m				r				
2CC02B				2CC06B				

TCR 1666 03 61-35