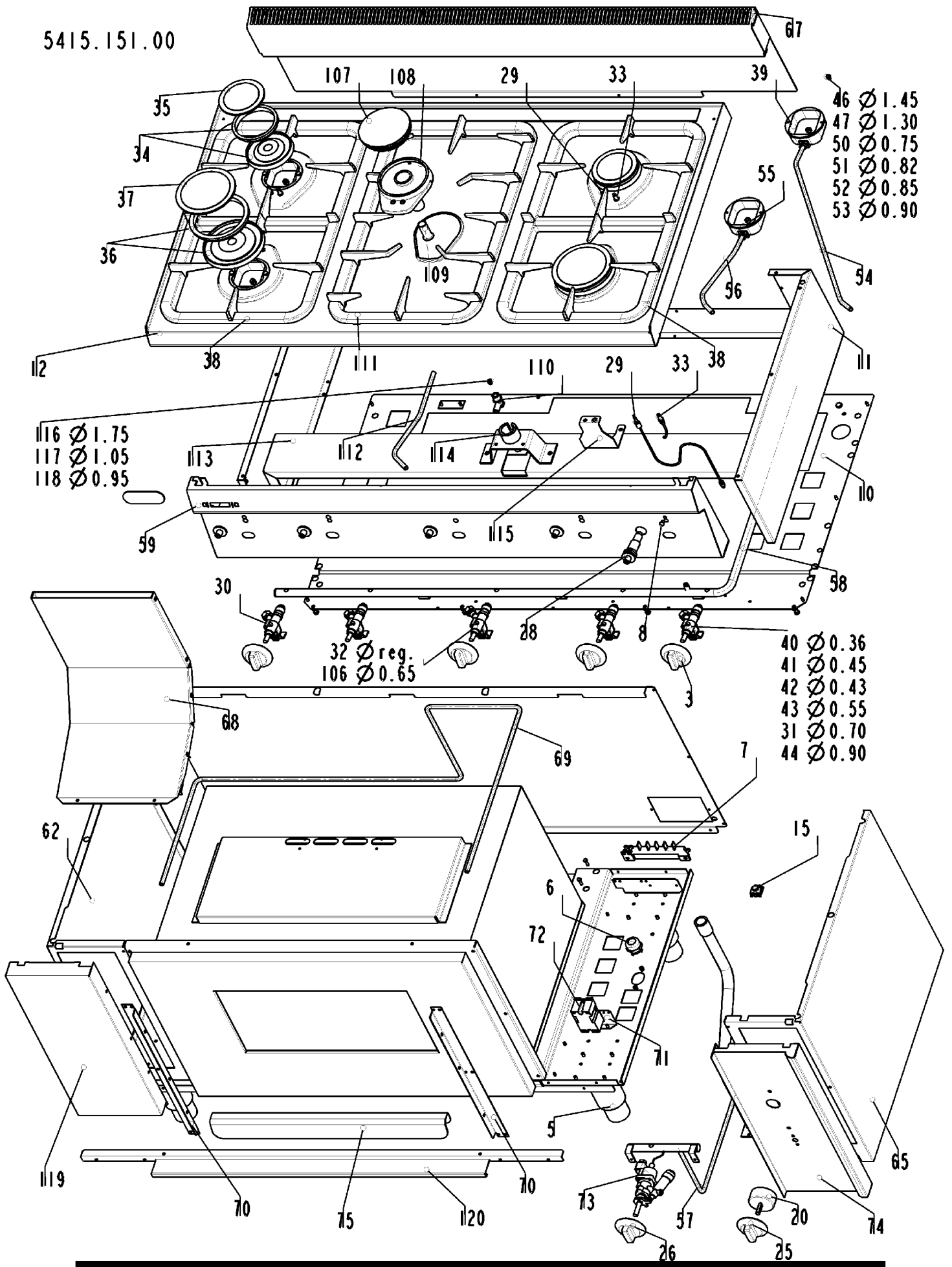
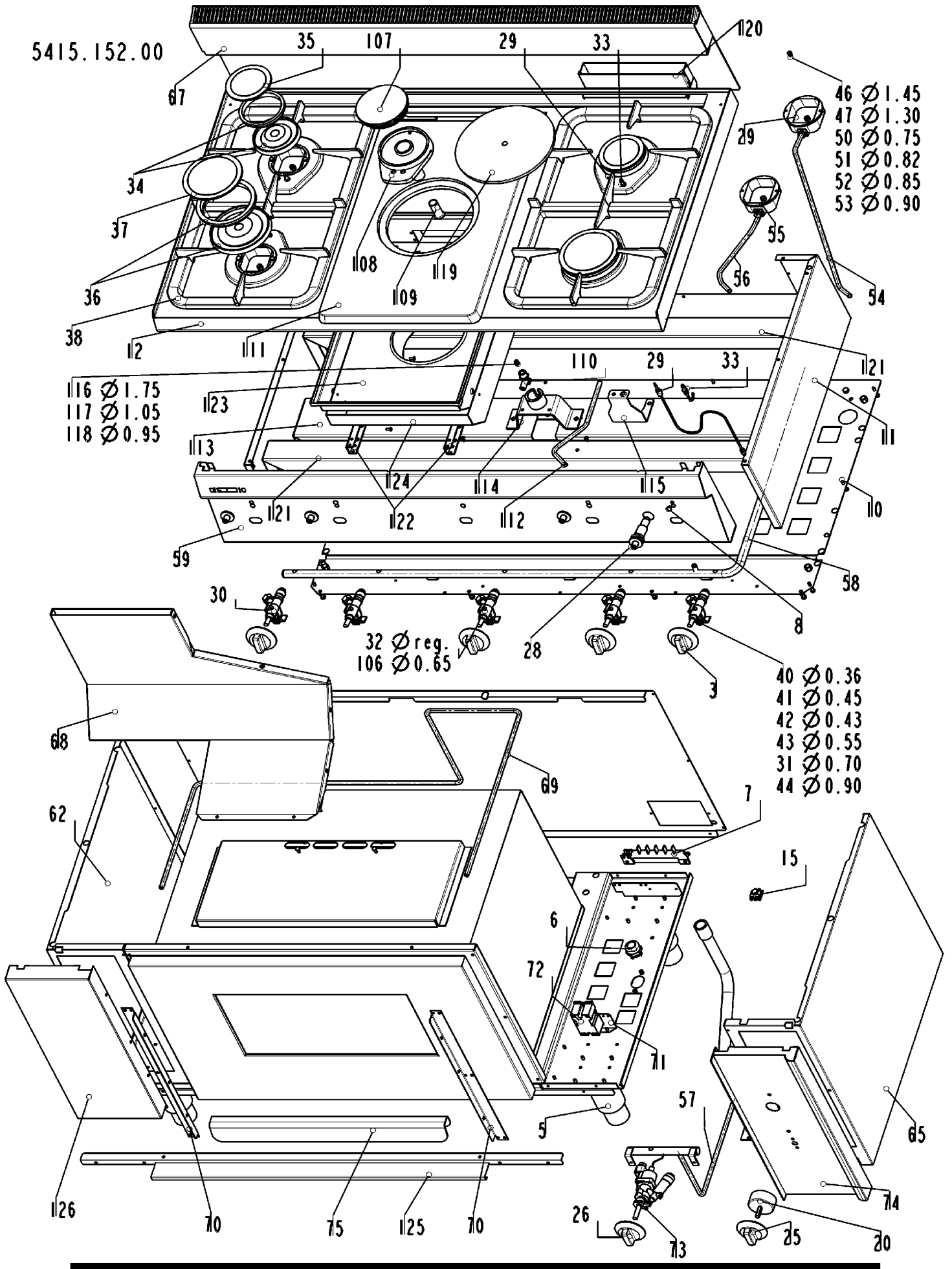


5415.151.00



5415.152.00



- 85  $\varnothing$  0.65
- 86  $\varnothing$  0.58
- 87  $\varnothing$  0.52

