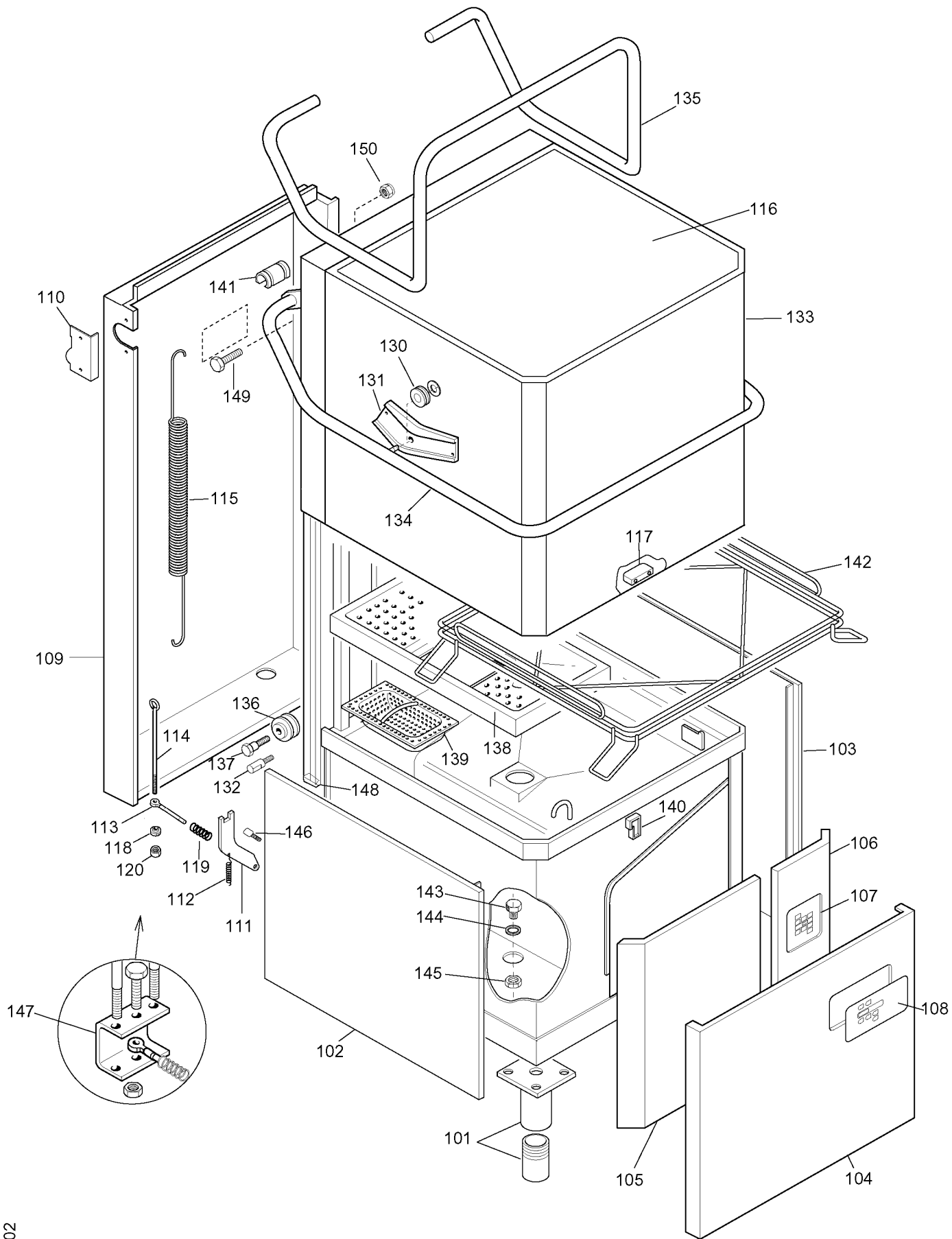


LAVASTOVIGLIE A CAPOTTINA da 1000 / 1200 piatti/h
HOOD TYPE DISHWASHER up to 1000 / 1200 dishes/h**LS 10 / LS 12**

Code	Type	Ref.	Page	Code	Type	Ref.	Page
504100	LS10	a	2 3 4 5	504128	LS12CW	q	2 3 4 5
504102	LS10UK/DP	b	2 3 4 5	504129	HT1200DEK	z	2 3 4 5
504104	ECOTEMP12	w	2 3 4 5	504153	LS12HD	r	2 3 4 5
504105	LS10/60Hz	c	2 3 4 5	504161	LS12UK/3CW	s	2 3 4 5
504107	Ls10CW	d	2 3 4 5	504163	LS12AU	t	2 3 4 5 6
504108	LS10INS	e	2 3 4 5	504164	LS12UK/DPCW	u	2 3 4 5
504109	HT1200INS DEK	y	2 3 4 5	504165	ECOTEMP12SW	x	2 3 4 5
504111	LS10/9SWEDISH	f	2 3 4 5	504178	LS12CW INS	v	2 3 4 5
504114	LS10/DP	g	2 3 4 5	504190	LS12 ASIA	G	2 3 4 5
504115	LS10HD	h	2 3 4 5	698050	HT1200	A	2 3 4 5
504118	LS10/UK/1	k	2 3 4 5	698051	HT1000	D	2 3 4 5
504119	LS10UK/3	l	2 3 4 5	698052	HT1000 INS	E	2 3 4 5
504120	LS12INS	m	2 3 4 5	698053	HT1200 INS	B	2 3 4 5
504121	LS12	n	2 3 4 5	698054	HT1000 DP	F	2 3 4 5
504122	LS12DP	o	2 3 4 5	698055	HT1200 DP	C	2 3 4 5
504125	LS12/60Hz	p	2 3 4 5				

Pag.	Indice
2	Vista generale
3	Componenti idraulici
4	Circuito idraulico
5	Componenti elettrici
6	Componenti AU
7-9	Lista ricambi

Index
Main view
Hydraulic components
Hydraulic circuit
Electrical components
AU components
Spare parts list



ill. 641002p1

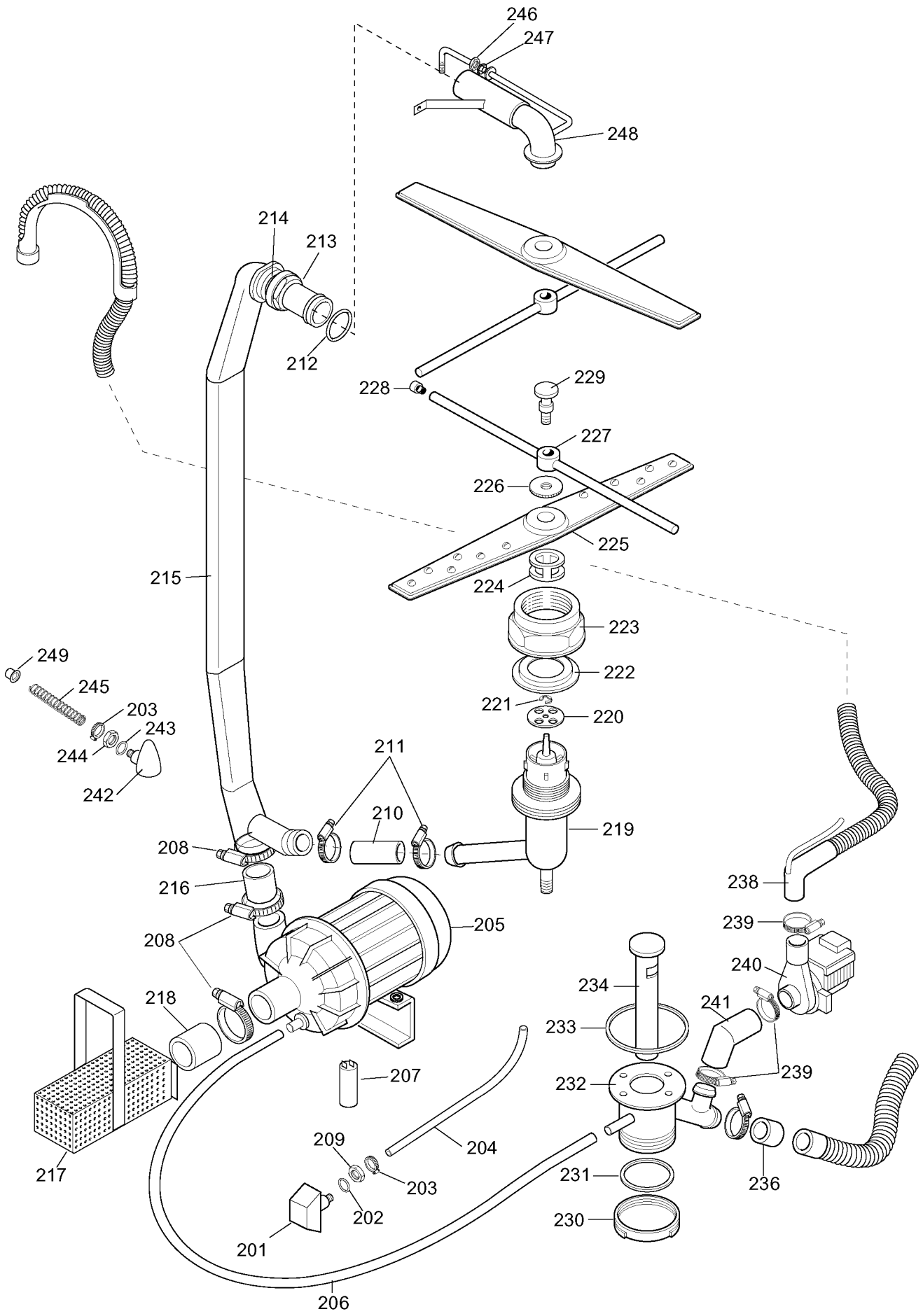
LS_10 -12 \ Zan\ 641002

Da Ser. Nr. / From ser. nr.: /944

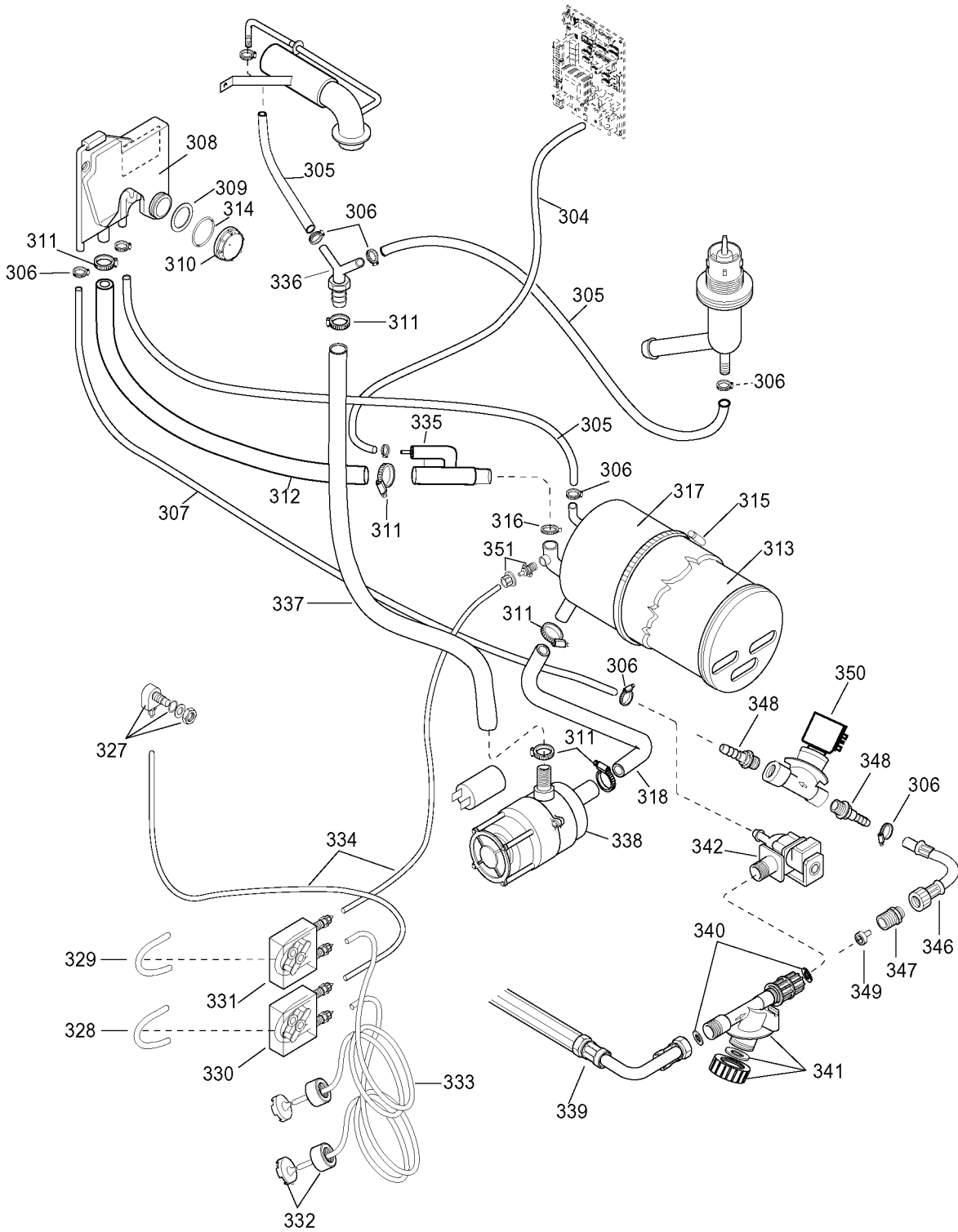
Page: 2

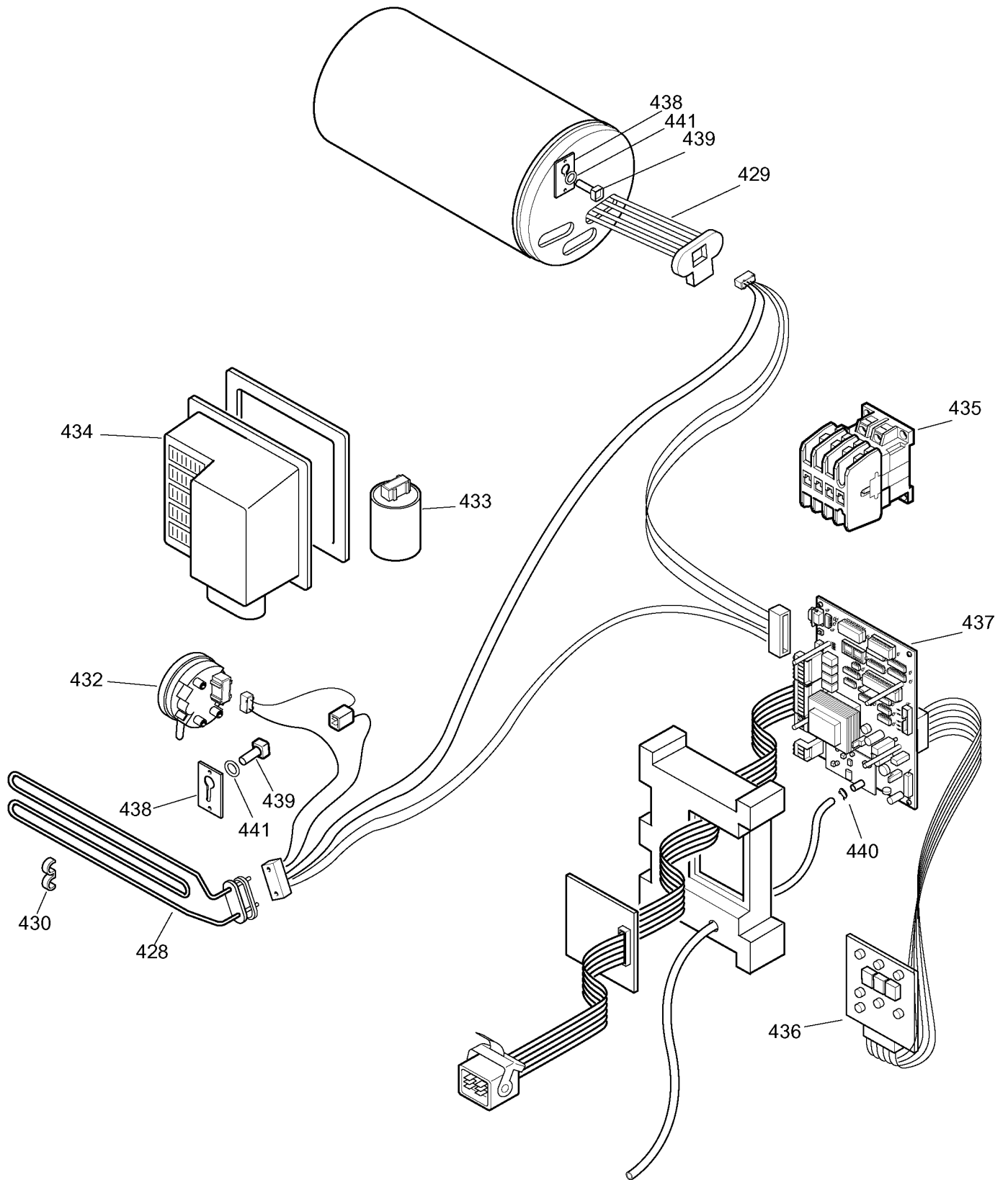
Ed.01-02

Doc. Nr.: **6-41 002**

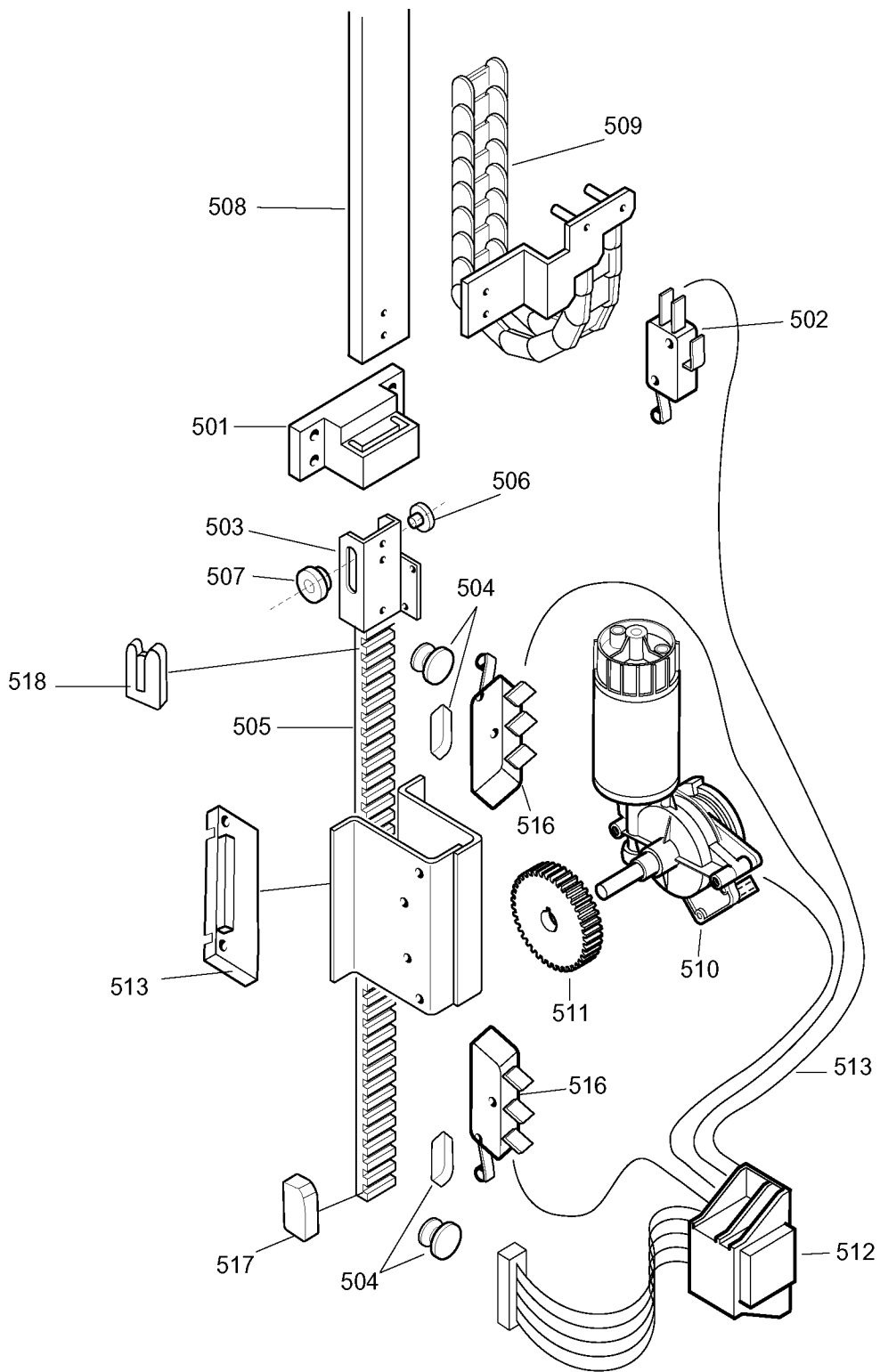


ill. 641002p2





ill. 641002p4



ill. 641002p5