

Omnia Service

Via Cesare Battisti, 12
31015 Conegliano (TV) - Italy
Fax: 0438-450202

**CATALOGO PARTI DI RICAMBIO
SPARE PARTS CATALOGUE****FRY TOP GAS
GAS FRY TOP**

Code	Type	Ref.	Page
168 870	MR/G1 FL	a	1-3
168 871	MR/G1 FR	b	1-3
168 873	MR/G2 FL	c	1-3
168 874	MR/G2 FM	d	1-3
168 070	RR/G1 FL	e	1-3
168 071	RR/G1 FR	f	1-3
168 073	RR/G2 FL	g	1-3
168 074	RR/G2 FM	h	1-3
168 876	MRV/G1 FL	l	2-3
168 877	MRV/G1 FR	m	2-3
168 879	MRV/G2 FL	n	2-3
168 880	MRV/G2 FM	p	2-3
168 076	RRV/G1 FL	q	2-3
168 077	RRV/G1 FR	r	2-3
168 079	RRV/G2 FL	s	2-3
168 080	RRV/G2 FM	t	2-3

Indice

Pag. 1-2 Piano cottura e componenti
3 Componenti gas
4-5 Lista ricambi

Index

Cooker top and components
Gas components
Spare parts list

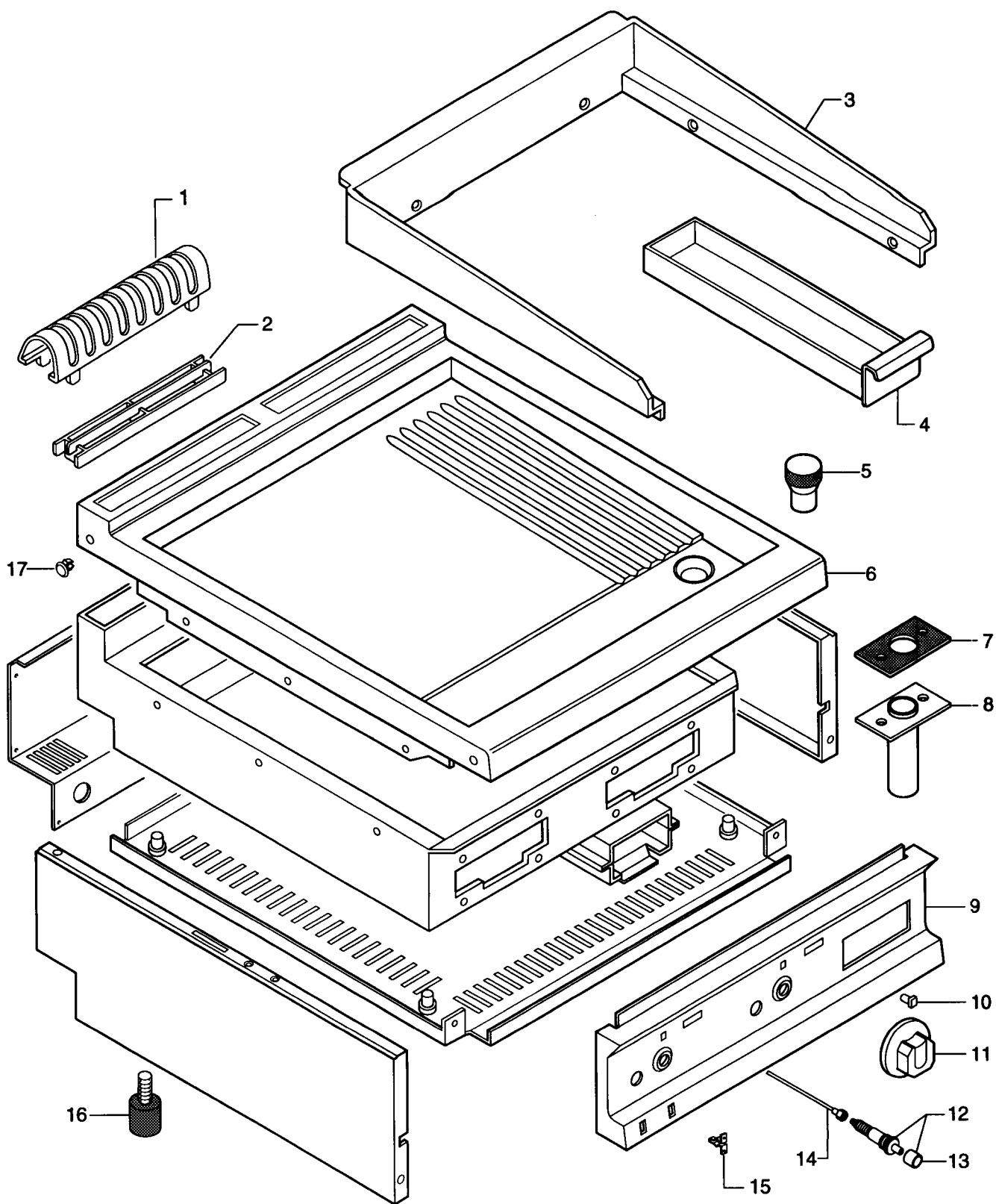
Marchio / Brand: Z - E - P
Paese / Country: Tutti / All

Da Ser. Nr. / From ser. nr.: 810.....

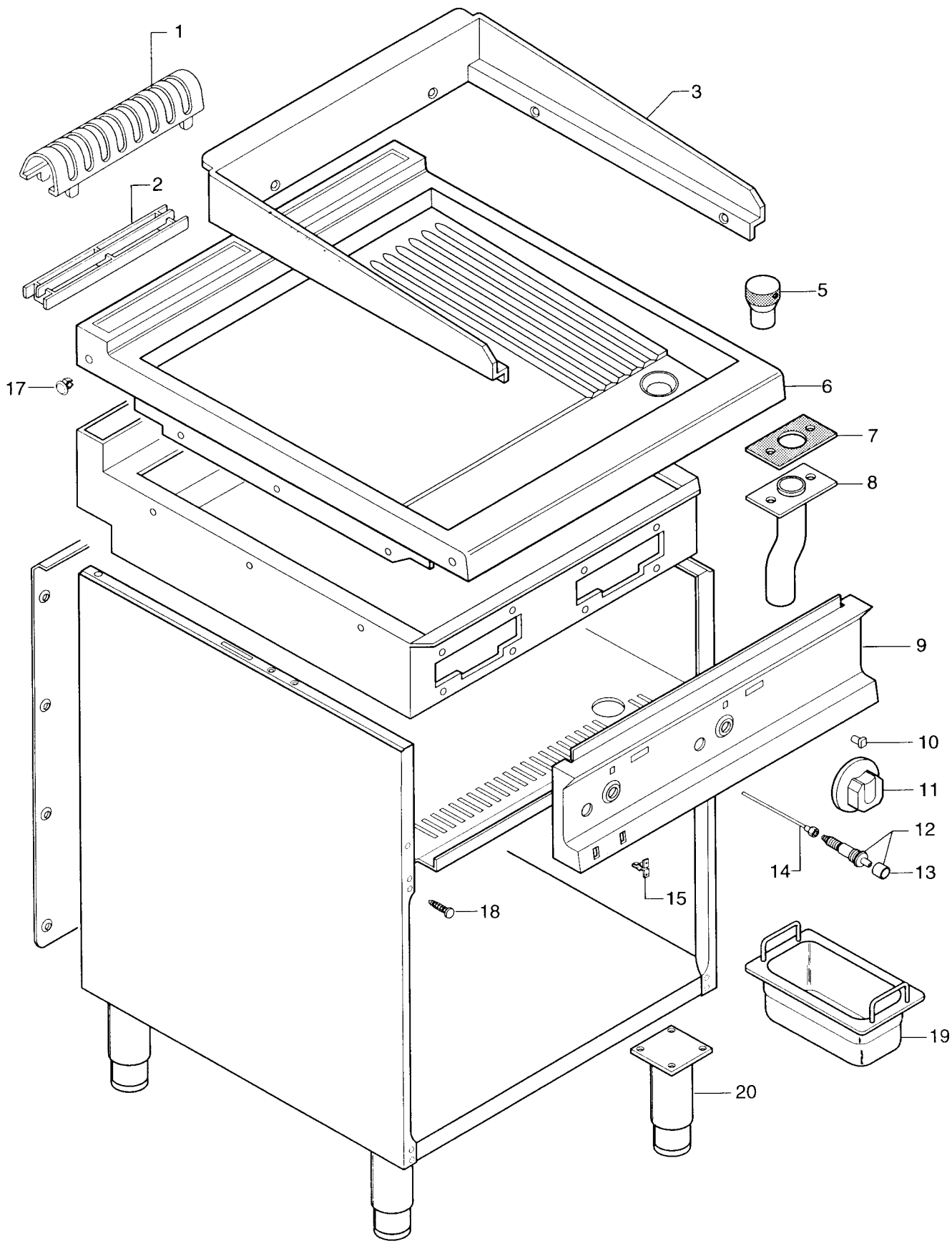
Ed. 9804

Doc. Nr.:

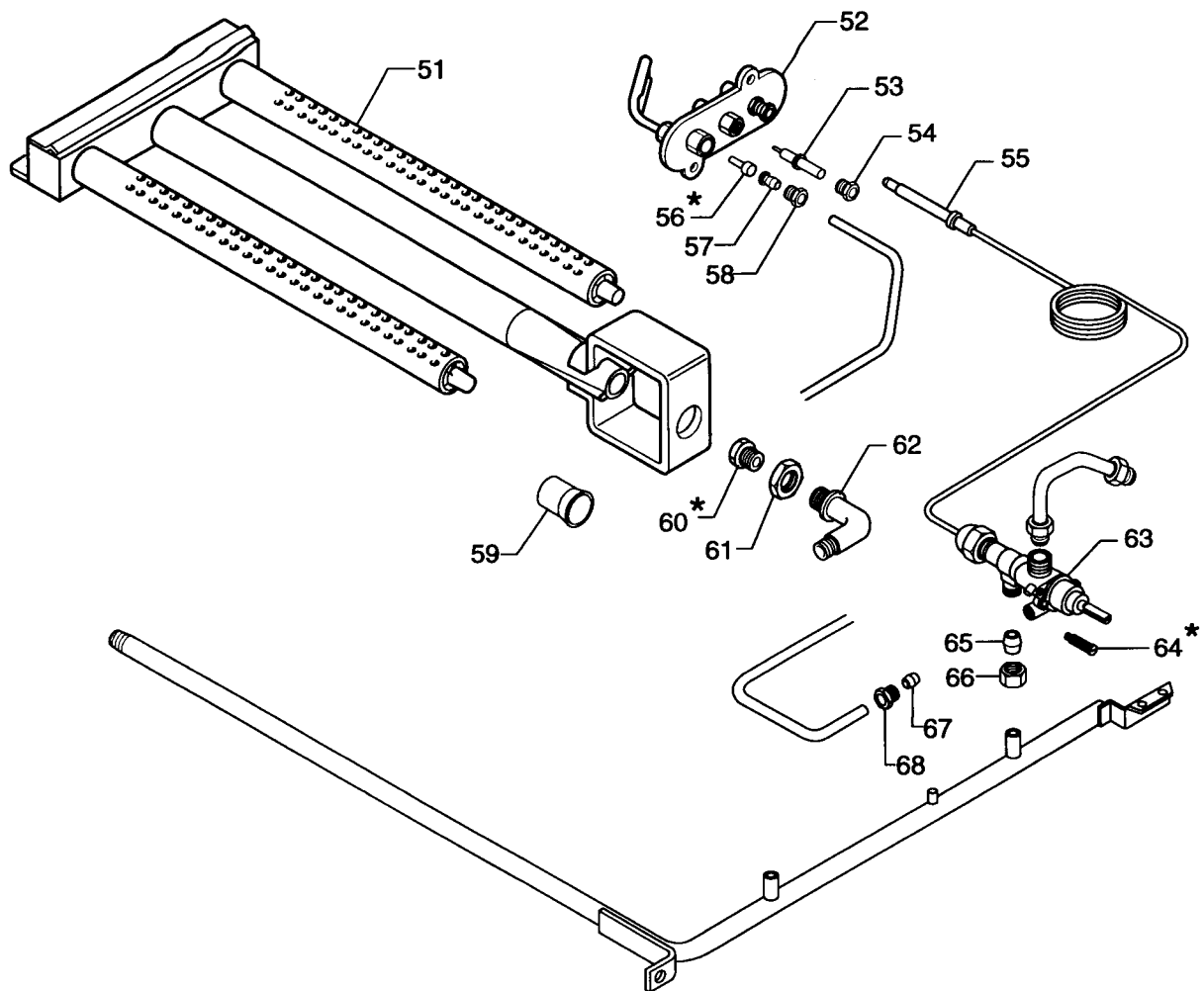
2 - 04 201



FRY TOP GAS PR 700
 GAS FRY TOP



FRY TOP GAS PR 700
 GAS FRY TOP



* 56	* 64	* 60
59215 G.N. n° 27	02994 ø 1,45 G.N.cat. "H-E-L"	A2102 ø 2,00 G.N.cat. "H-E-L"
59216 G.P.L. n° 14	02994 ø 1,45 G.N.cat. "L L"	A2083 ø 2,20 G.N.cat. "L L"
	04595 ø 1,00 G.P.L.30-37mbar	02393 ø 1,30 G.P.L.30-37mbar
	02770 ø 0,85 G.P.L.50 mbar	59314 ø 1,15 G.P.L.50 mbar

FRY TOP GAS PR 700
GAS FRY TOP