

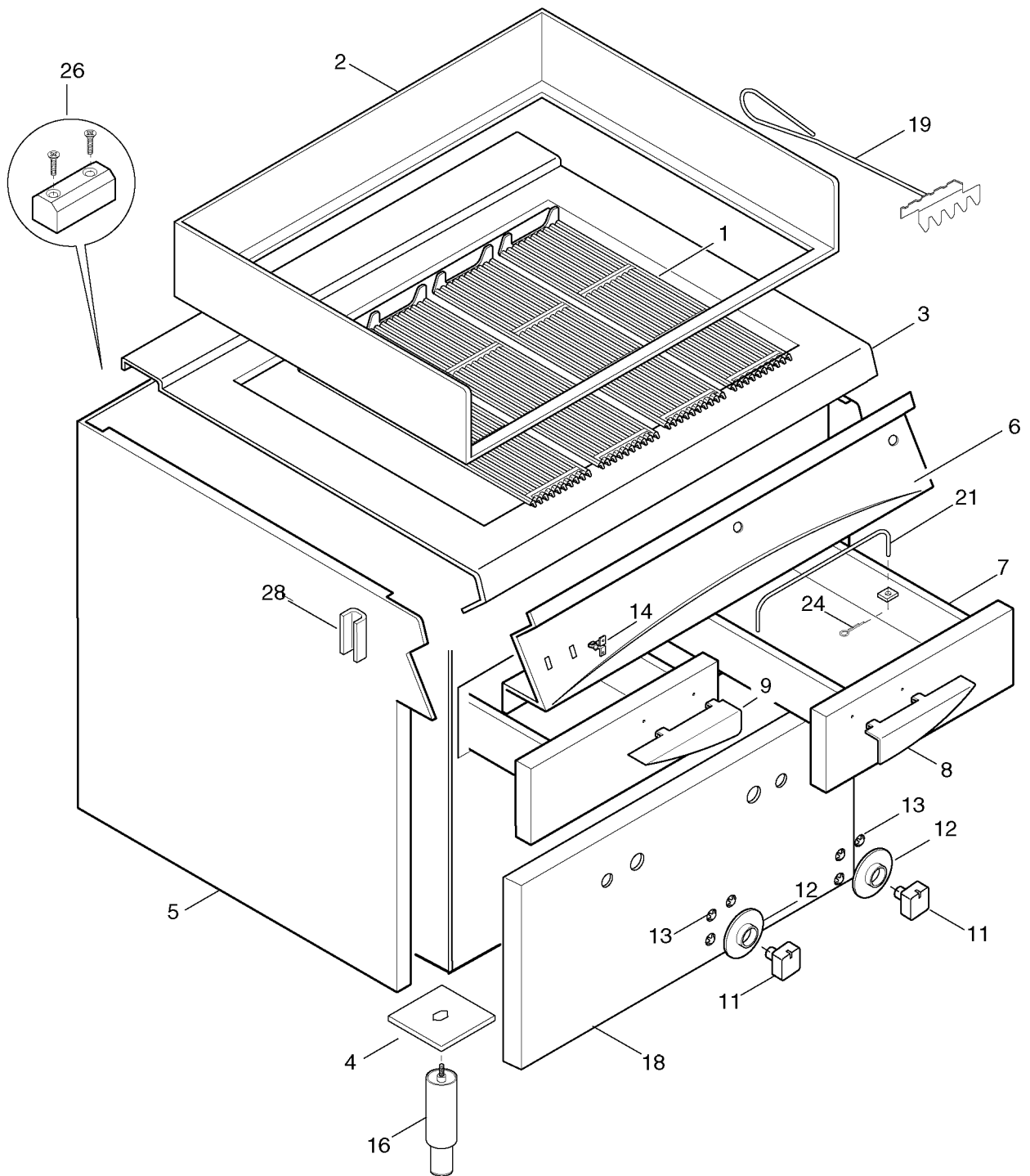
<b>PNC</b>	<b>Model</b>	<b>Ref.</b>	<b>Page</b>	<b>Notes</b>
178 090	PGV/G1	a	1 - 5	Gas grill 400 mm
178 091	PGV/G2	b	1 - 5	Gas grill 800 mm
178 199	PGV/G1N	c	1 - 5	Gas grill 400 mm - NL
178 202	PGV/G2N	d	1 - 5	Gas grill 800 mm - NL

Pag. 1 - 2 - 3  
Pag. 4 - 5

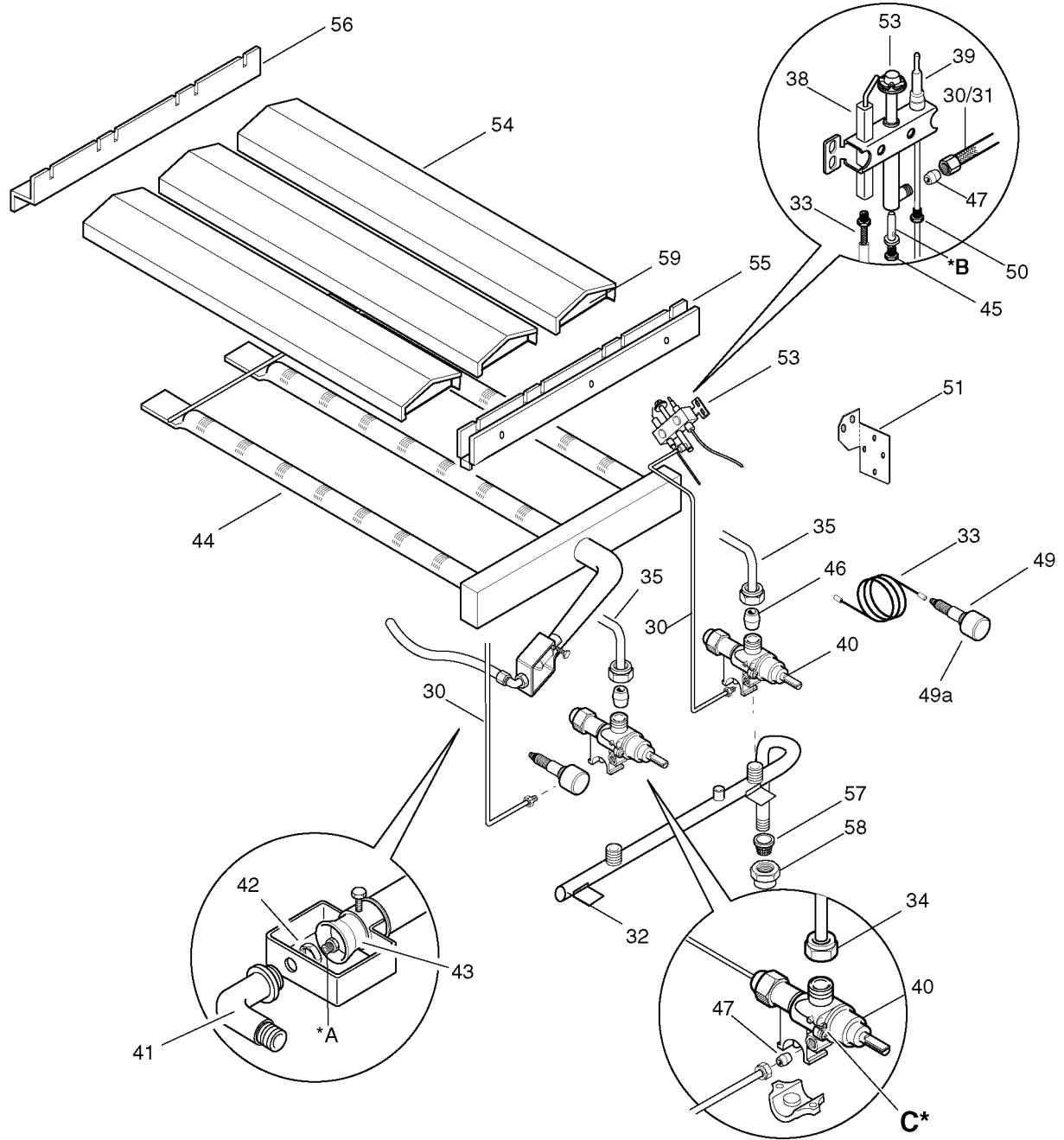
**Index**  
Frame and components  
Spare parts list

**Indice**  
Struttura e componenti  
Lista ricambi

**Brand / Marchio :** Zanussi  
**Factory code:** 9PDX



GRIGLIA GAS N700  
 GAS GRILL N700



GRIGLIA GAS N700  
GAS GRILL N700

<b>A - Ugello bruciatore / Burner nozzle</b>			
<b>6DGT Code</b>	<b>Ref. / Notes</b>		
0A2105	ø2.00	2H/2E+	G20 20mbar
0A2102	ø2.10	2H	G20 25mbar
0A5356	ø2.35	2ELL	G25 20mbar
0A2475	ø2.25	2L	G25 25mbar
0A2475	ø2.25	2S	G25.1 25mbar
0A2082	ø1.40	3+3B/P	G30 30mbar
0A2533	ø1.35	3B/P	G30 36mbar
0A2101	ø1.25	3B/P	G30 50mbar
058980	ø2.45	No CE	G20 10mbar
059040	ø4.80	1a	G110
005045	ø4.30	1b	G120

<b>B - Ugello pilota / Pilot nozzle</b>			
<b>6DGT Code</b>	<b>Ref./ Notes</b>		
056656	n°35	2H/2E+	G20 20mbar
056656	n°35	2H	G20 25mbar
056656	n°35	2ELL	G25 20mbar
056656	n°35	2L	G25 25mbar
056656	n°35	2S	G25.1 25mbar
058330	n°25	3+3B/P	G30 30mbar
058330	n°25	3B/P	G30 36mbar
058330	n°25	3B/P	G30 50mbar
058330	n°35	No CE	G20 10mbar
056798	n°70	1a	G110
056798	n°70	1b	G120

<b>C - Vite di minimo / Min screw</b>			
<b>6DGT Code</b>	<b>Ref./ Notes</b>		
006193	n°160	2H/2E+	G20 20mbar
006193	n°160	2H	G20 25mbar
006193	n°160	2ELL	G25 20mbar
006193	n°160	2L	G25 25mbar
006193	n°160	2S	G25.1 25mbar
002902	n°105	3+3B/P	G30 30mbar
002902	n°105	3B/P	G30 36mbar
002909	n°95	3B/P	G30 50mbar
-	adjust	No CE	G20 10mbar
-	adjust	1a	G110
-	adjust	1b	G120

---

<b>PNC</b>	<b>Model</b>	<b>Ref.</b>	<b>Page</b>	<b>Notes</b>
178 090	PGV/G1	a	1 - 5	Gas grill 400 mm
178 091	PGV/G2	b	1 - 5	Gas grill 800 mm
178 199	PGV/G1N	c	1 - 5	Gas grill 400 mm - NL
178 202	PGV/G2N	d	1 - 5	Gas grill 800 mm - NL

Pag. 1 - 2 - 3  
Pag. 4 - 5

**Index**

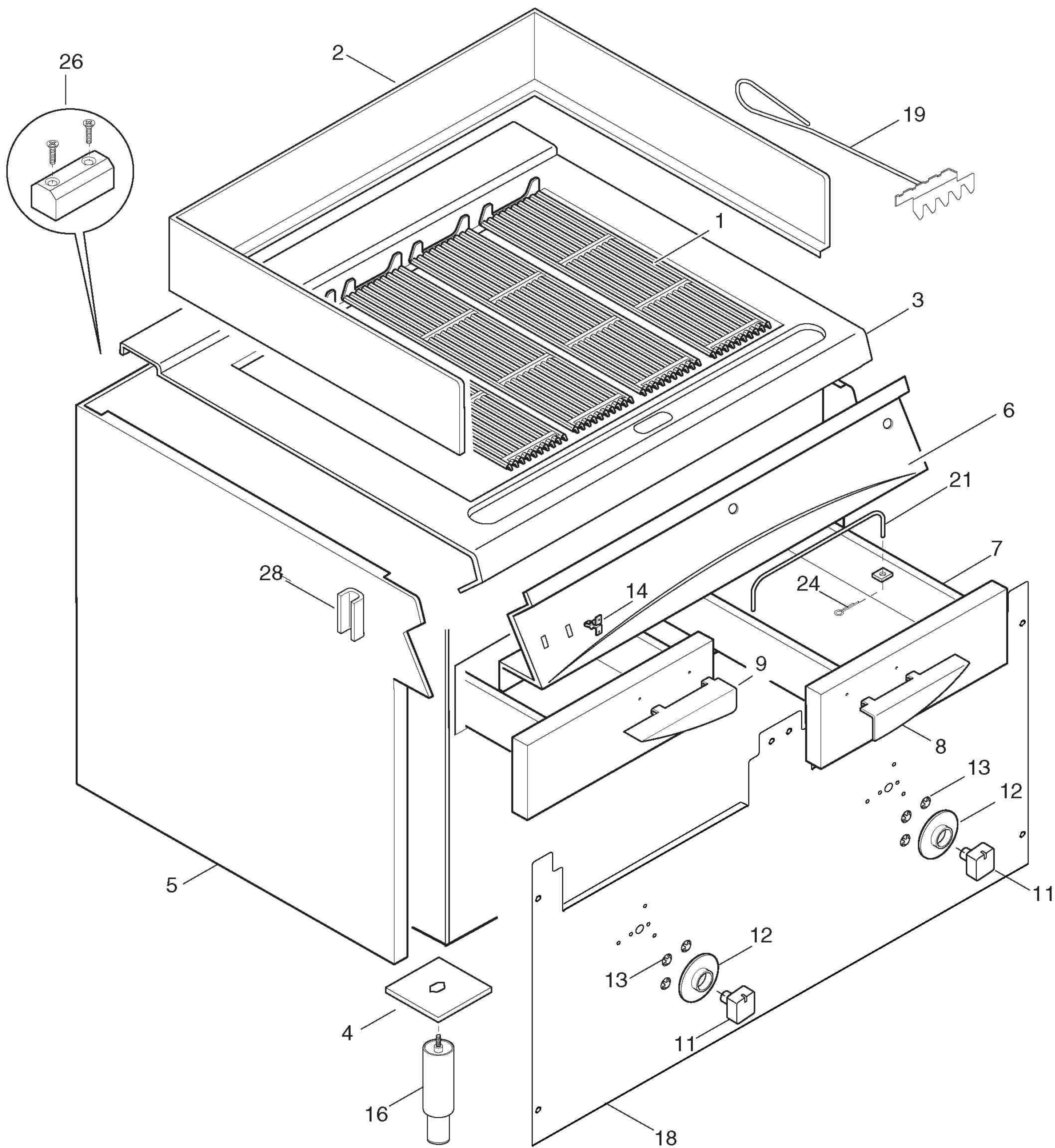
Frame and components  
Spare parts list

**Indice**

Struttura e componenti  
Lista ricambi

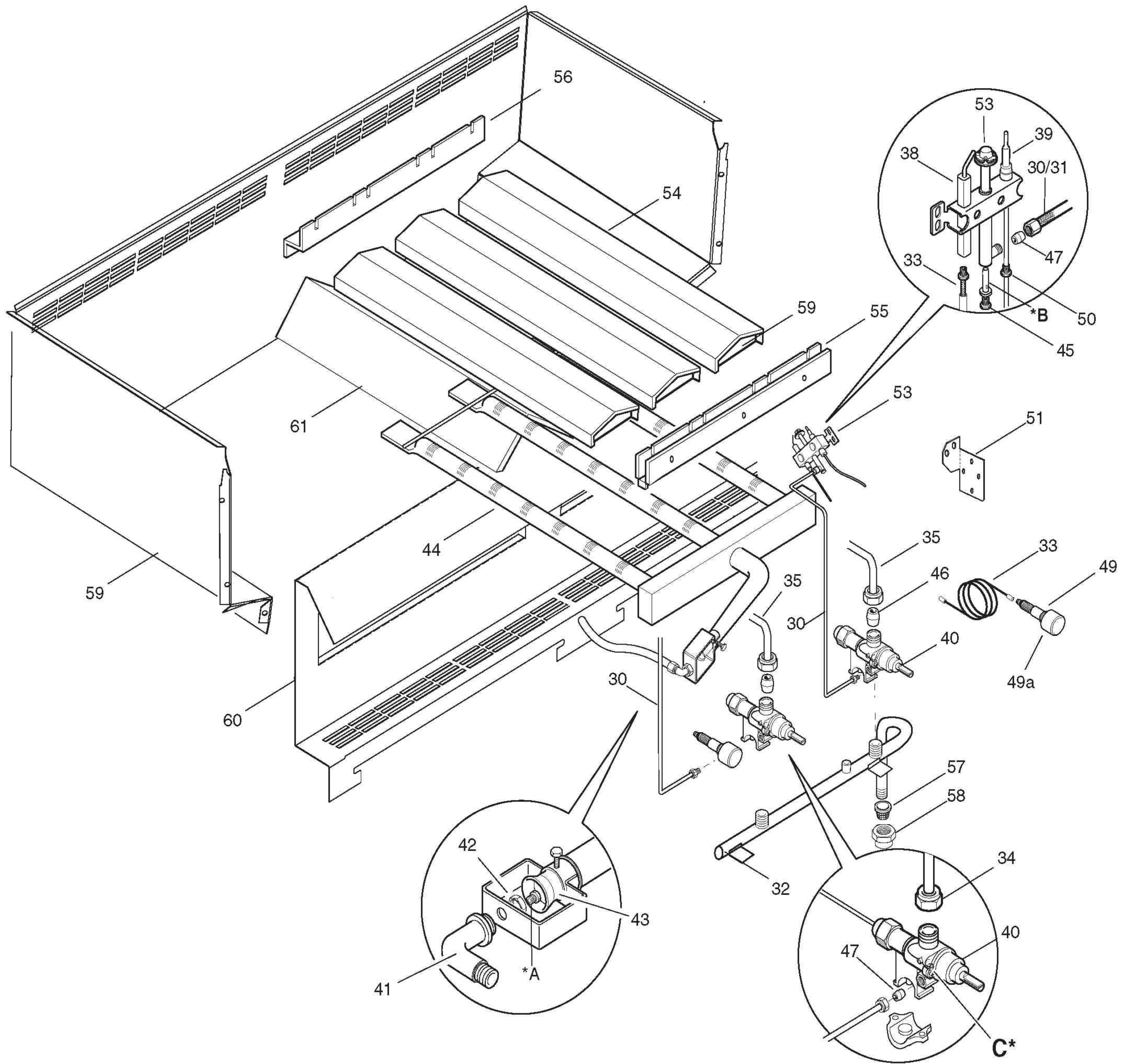
**Brand / Marchio :** Zanussi  
**Factory code:** 9PDX





GRIGLIA GAS N700  
 GAS GRILL N700





GRIGLIA GAS N700  
GAS GRILL N700



<b>A - Ugello bruciatore / Burner nozzle</b>			
<b>6DGT Code</b>	<b>Ref. / Notes</b>		
0A2105	ø2.00	2H/2E+	G20 20mbar
0A2102	ø2.10	2H	G20 25mbar
0A5356	ø2.35	2ELL	G25 20mbar
0A2475	ø2.25	2L	G25 25mbar
0A2475	ø2.25	2S	G25.1 25mbar
0A2082	ø1.40	3+3B/P	G30 30mbar
0A2533	ø1.35	3B/P	G30 36mbar
0A2101	ø1.25	3B/P	G30 50mbar
058980	ø2.45	No CE	G20 10mbar
059040	ø4.80	1a	G110
005045	ø4.30	1b	G120

<b>B - Ugello pilota / Pilot nozzle</b>			
<b>6DGT Code</b>	<b>Ref. / Notes</b>		
056656	n°35	2H/2E+	G20 20mbar
056656	n°35	2H	G20 25mbar
056656	n°35	2ELL	G25 20mbar
056656	n°35	2L	G25 25mbar
056656	n°35	2S	G25.1 25mbar
058330	n°25	3+3B/P	G30 30mbar
058330	n°25	3B/P	G30 36mbar
058330	n°25	3B/P	G30 50mbar
058330	n°35	No CE	G20 10mbar
056798	n°70	1a	G110
056798	n°70	1b	G120

<b>C - Vite di minimo / Min screw</b>			
<b>6DGT Code</b>	<b>Ref. / Notes</b>		
006193	n°160	2H/2E+	G20 20mbar
006193	n°160	2H	G20 25mbar
006193	n°160	2ELL	G25 20mbar
006193	n°160	2L	G25 25mbar
006193	n°160	2S	G25.1 25mbar
002902	n°105	3+3B/P	G30 30mbar
002902	n°105	3B/P	G30 36mbar
002909	n°95	3B/P	G30 50mbar
-	adjust	No CE	G20 10mbar
-	adjust	1a	G110
-	adjust	1b	G120