

**LAVASTOVIGLIE SOTTOTAVOLO  
UNDREOUNTER DISHWASHER****LS5 / WT4**

Code	Type	Ref.	Pagina/ Page
400007	WT4	a	2 3 4 5
400008	WT4B	b	2 3 4 5
400009	WT4D	c	2 3 4 5
400015	WT4DB	d	2 3 4 5
400016	WT46	e	2 3 4 5
400042	WT4D60	i	2 3 4 5
400043	WT4DDG	w	2 3 4 5
400100	LS5/1	f	2 3 4 5
400102	LS5/1DP	g	2 3 4 5
400112	LS5/3	h	2 3 4 5
400113	LS5/3DP	k	2 3 4 5
400124	LS5/1DP60	q	2 3 4 5
400125	LS5/1DPAUS	r	2 3 4 5
400126	LS5/1DPCS	u	2 3 4 5
690004	FL5	l	2 3 4 5
690005	FL5DP	m	2 3 4 5
690006	LV5	n	2 3 4 5
690007	LV5/DP	o	2 3 4 5
690010	UC5/1DP	p	2 3 4 5
690013	LD5DP	s	2 3 4 5
690014	LD5	t	2 3 4 5
690017	UC5/1	v	2 3 4 5
690018	UC5/1DP	z	2 3 4 5
690027	FL5DDG	x	2 3 4 5

**Pagina/ Page****Indice/ index**

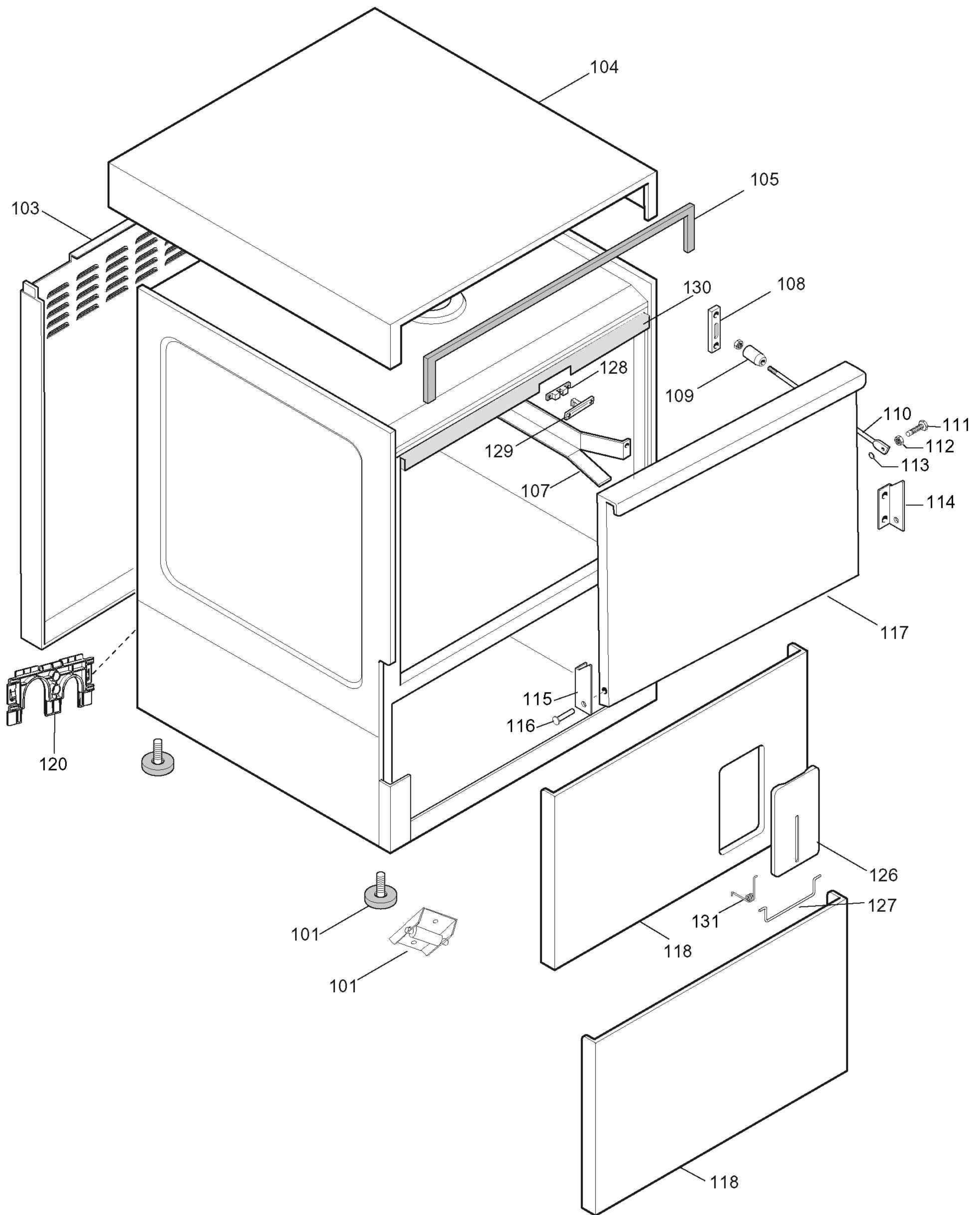
2	Vista generale / Main view
3	Componenti idraulici / Hydraulic components
4	Circuito idraulico / Hydraulic circuit
5	Componenti elettrici / Electrical components
6 - 10	Lista ricambi / Spare parts list

**Marchio/ Brand:** Z - A - F - E**Paese/ Country:** Tutti/ All

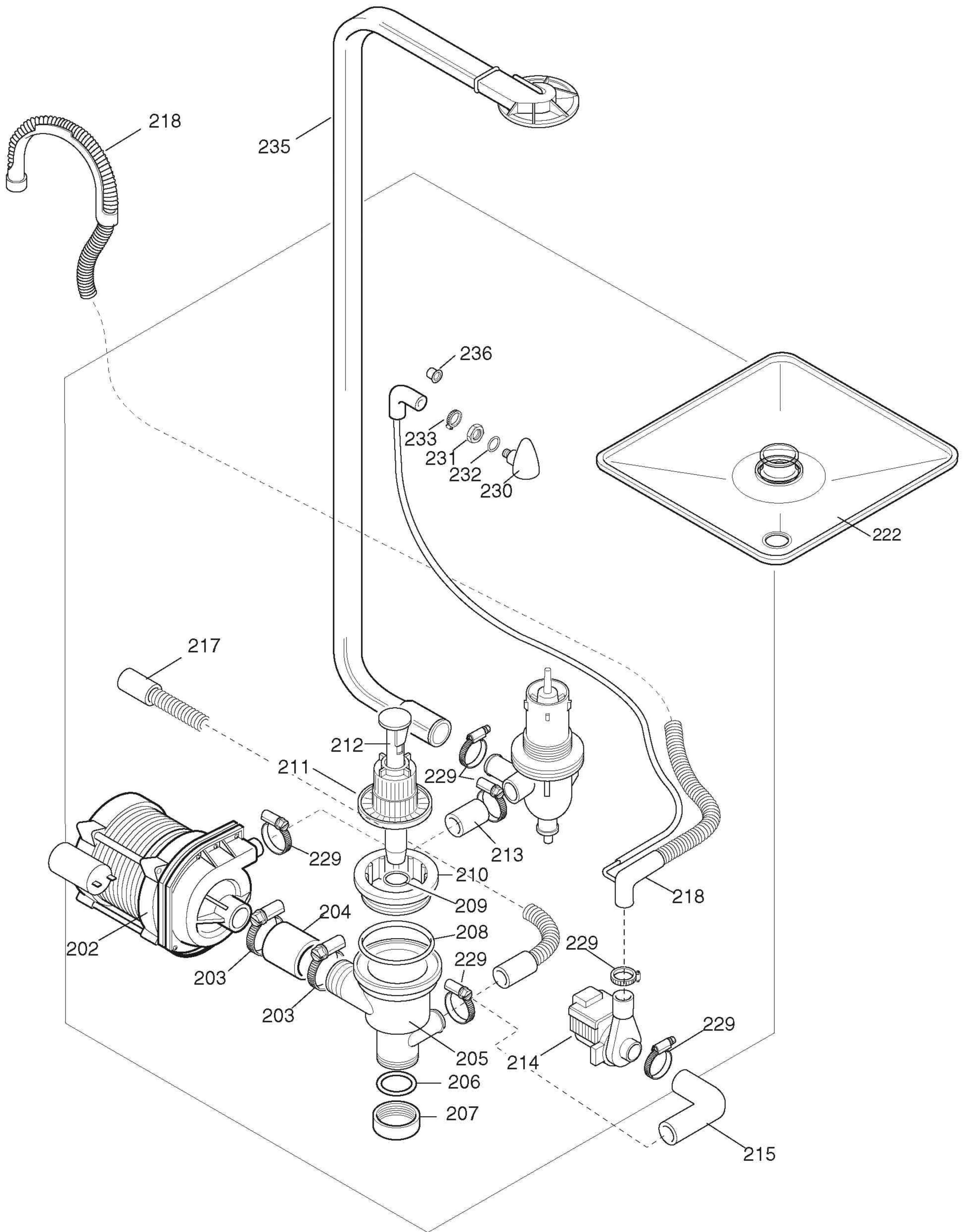
Da Ser.Nr./From Ser.nr.: /219...

Page: 1 Ed.2008-05

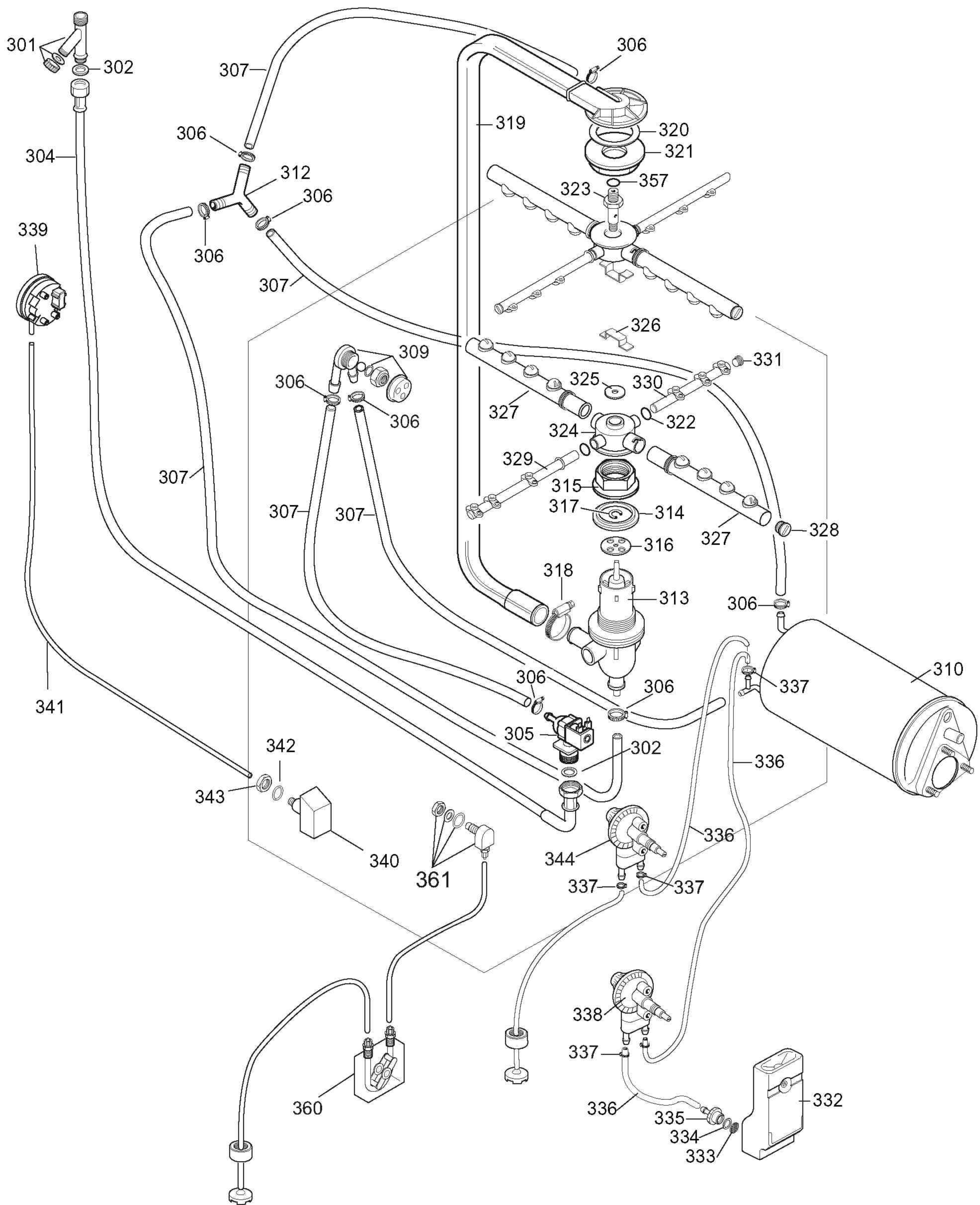
**Doc. Nr.: 6-12 003**



ill. 612003p2  
 Vista generale / Main view

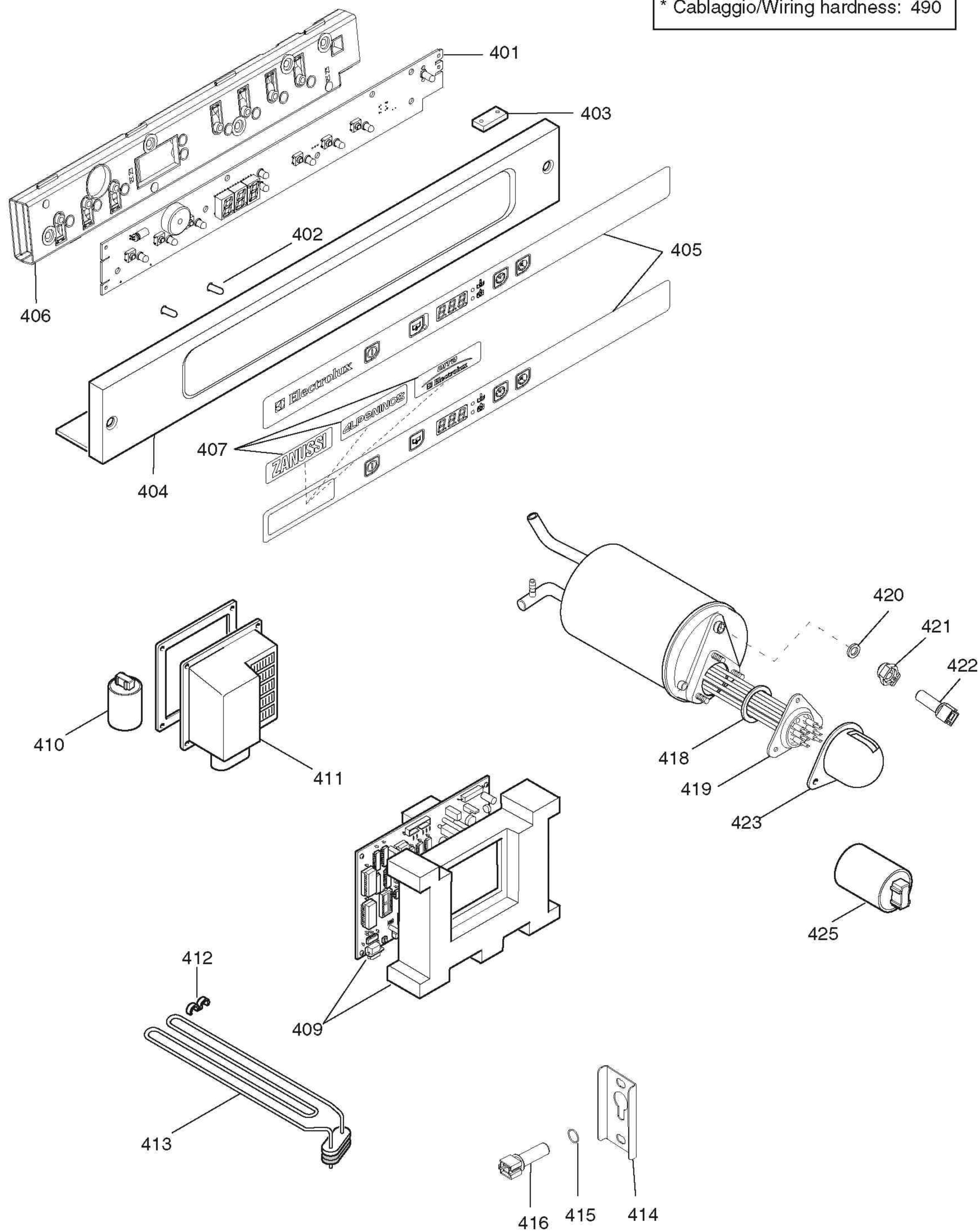


ill. 612003p3  
 Componenti idraulici / Hydraulic components



ill. 612003p4A  
 Circuito idraulico / Hydraulic circuit

\* Cablaggio/Wiring hardness: 490



ill. 612003p5.ai  
Componenti elettrici / Electrical components

Da Ser.Nr./From Ser.nr.: /219...

Page: 5 Ed.2003-07

Doc. Nr.: 6-12 003