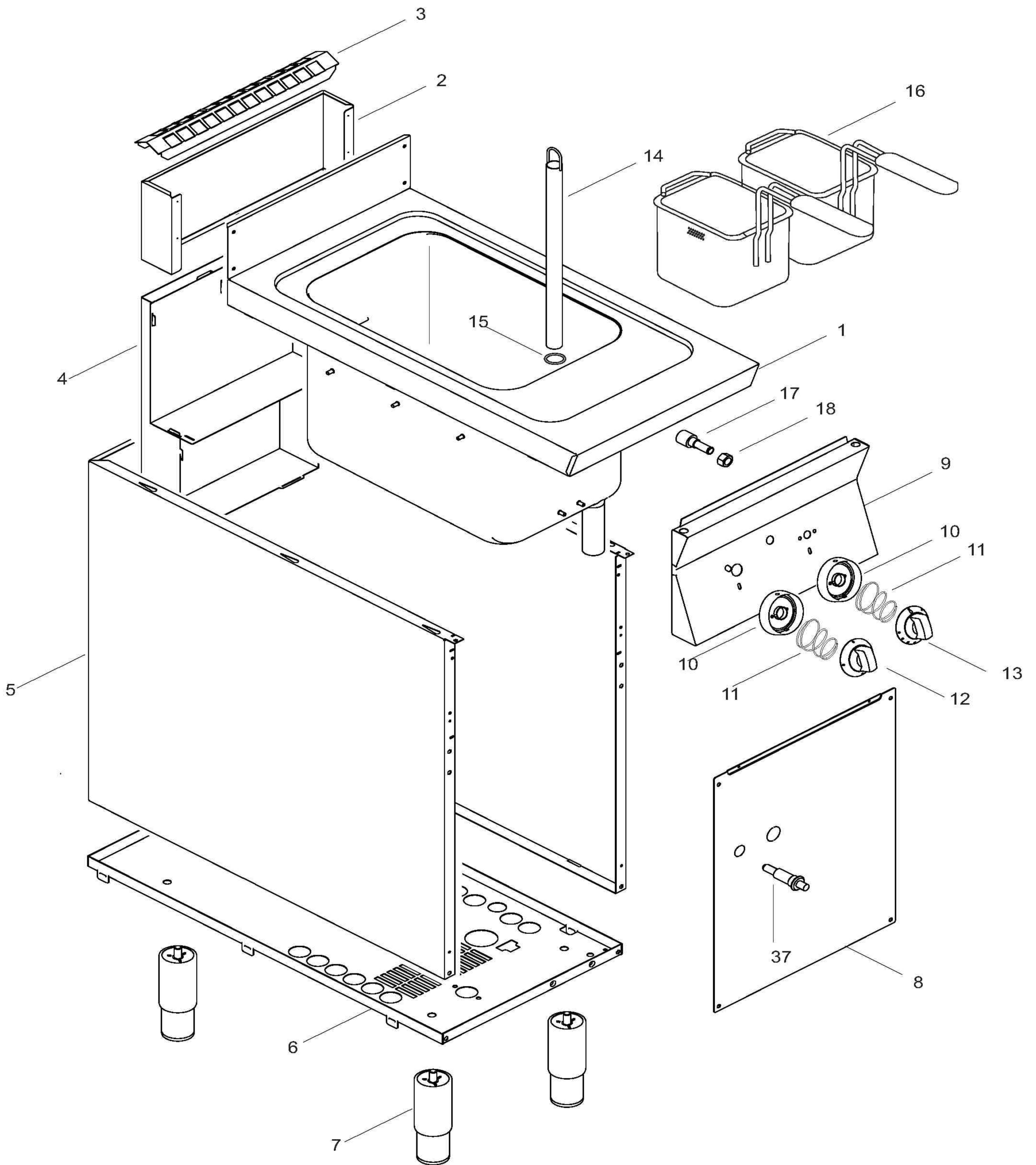


**CUOCIPASTA GAS
GAS PASTACOOKER**

PNC	Model	Ref.	Page	Note
162320	BCP/G1	-	1...5	GAS PASTA COOKER 24.5 LT 350 MM

Pag.	Indice	Index
2	Mobile e componenti	Structure and components
3	Impianto gas	Gas components
4 -5	Lista ricambi	Spare parts list



**CUOCIPASTA GAS
GAS PASTACOOKER**

Da Ser. Nr. / From ser. nr.: 917.....

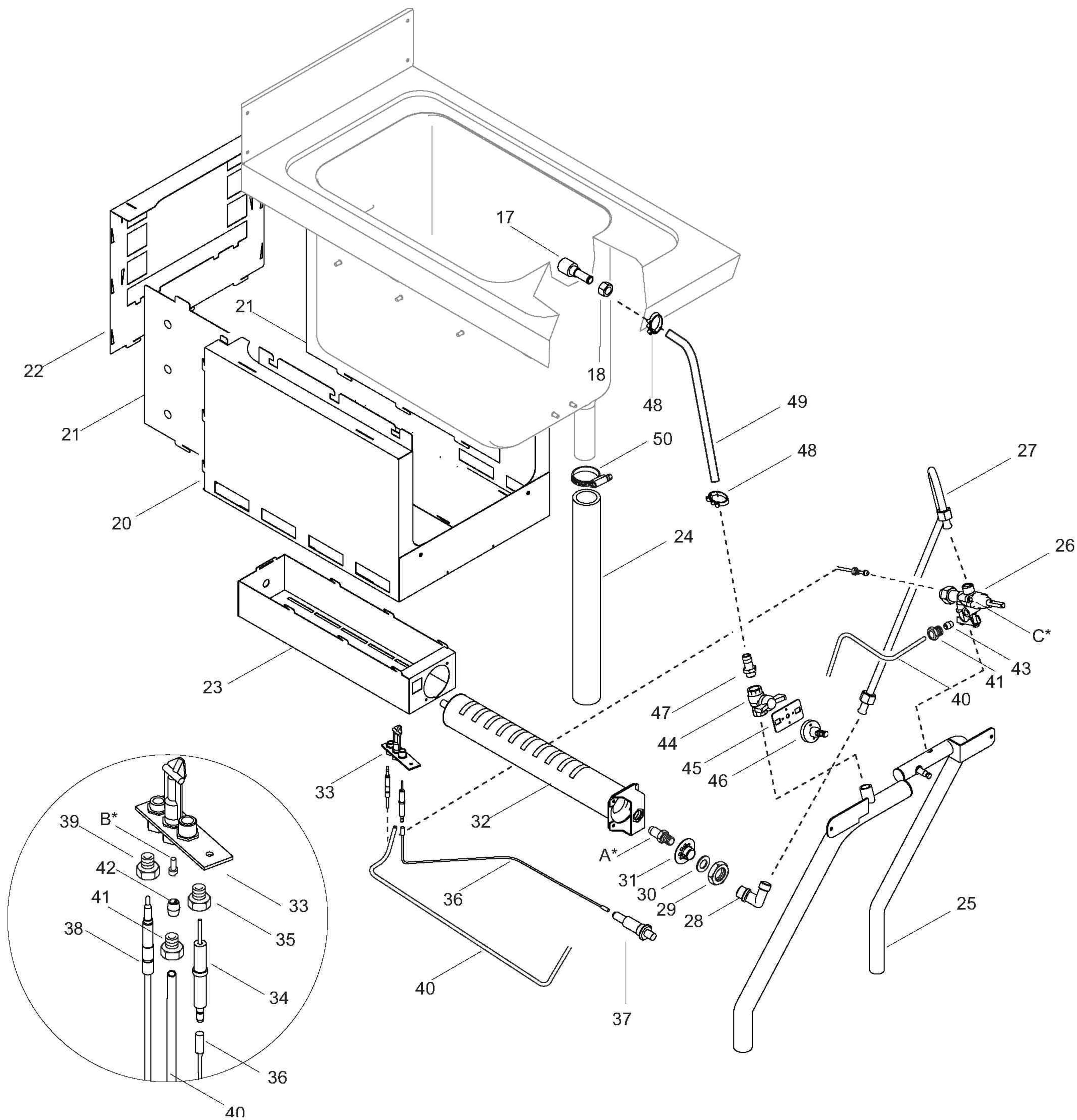
Page: 2

Ed.2009 04

Doc. Nr.:

597852000

(2- 06060)



CUOCIPASTA GAS
GAS PASTACOOKER

Da Ser. Nr. / From ser. nr.: 917....

Page: 3

Ed.2009 04

Doc. Nr.:

597852000

(2- 06060)

A - Ugello bruciatore / Burner nozzle	
6DGT Code	Ref. / Notes
002267	ø2.45 2H/2E+ G20 20mbar
002865	ø2.30 2H G20 25mbar
003371	ø2.75 2ELL G25 20mbar
002268	ø2.60 2L G25 25mbar
002905	ø1.60 3+3B/P G30 30mbar
003722	ø1.55 3B/P G30 37mbar
004488	ø1.40 3B/P G30 50mbar
002268	ø2.60 2S G25.1 25mbar
0C4150	ø2.80 AU G20 10mbar
0C3079	ø6.25 No CE G110 8mbar

B - Ugello pilota / Pilot nozzle	
6DGT Code	Ref./ Notes
054037	n°25 2H/2E+ G20 20mbar
054037	n°25 2H G20 25mbar
054037	n°25 2ELL G25 20mbar
054037	n°25 2L G25 25mbar
054286	n°24 3+3B/P G30 30mbar
054286	n°24 3B/P G30 36mbar
054286	n°24 3B/P G30 50mbar
054037	n°25 2S G25.1 25mbar
054037	n°25 AU G20 10mbar
054038	n°45 No CE G110 8mbar

C - Vite di minimo / Min screw ø60	
6DGT Code	Ref./ Notes
003182	n°140 2H/2E+ G20 20mbar
003182	n°140 2H G20 25mbar
003182	n°140 2ELL G25 20mbar
003182	n°140 2L G25 25mbar
002770	n°85 3+3B/P G30 30mbar
002770	n°85 3B/P G30 36mbar
002769	n°75 3B/P G30 50mbar
003182	n°140 2S G25.1 25mbar
003182	n°140 AU G20 10mbar
-	adj No CE G110