

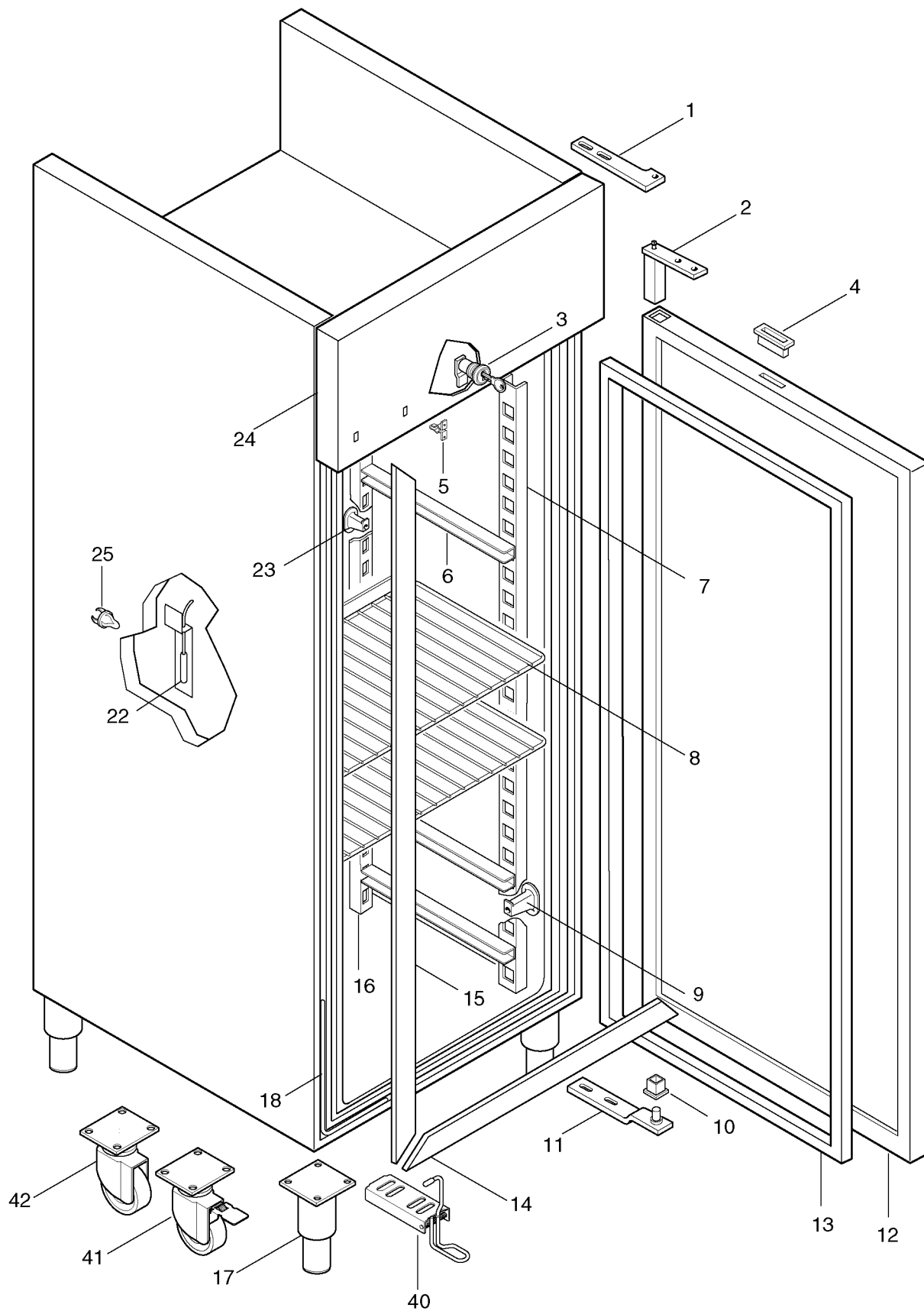
550/650 L - FREEZERS
FREEZER DA 550/650 LT

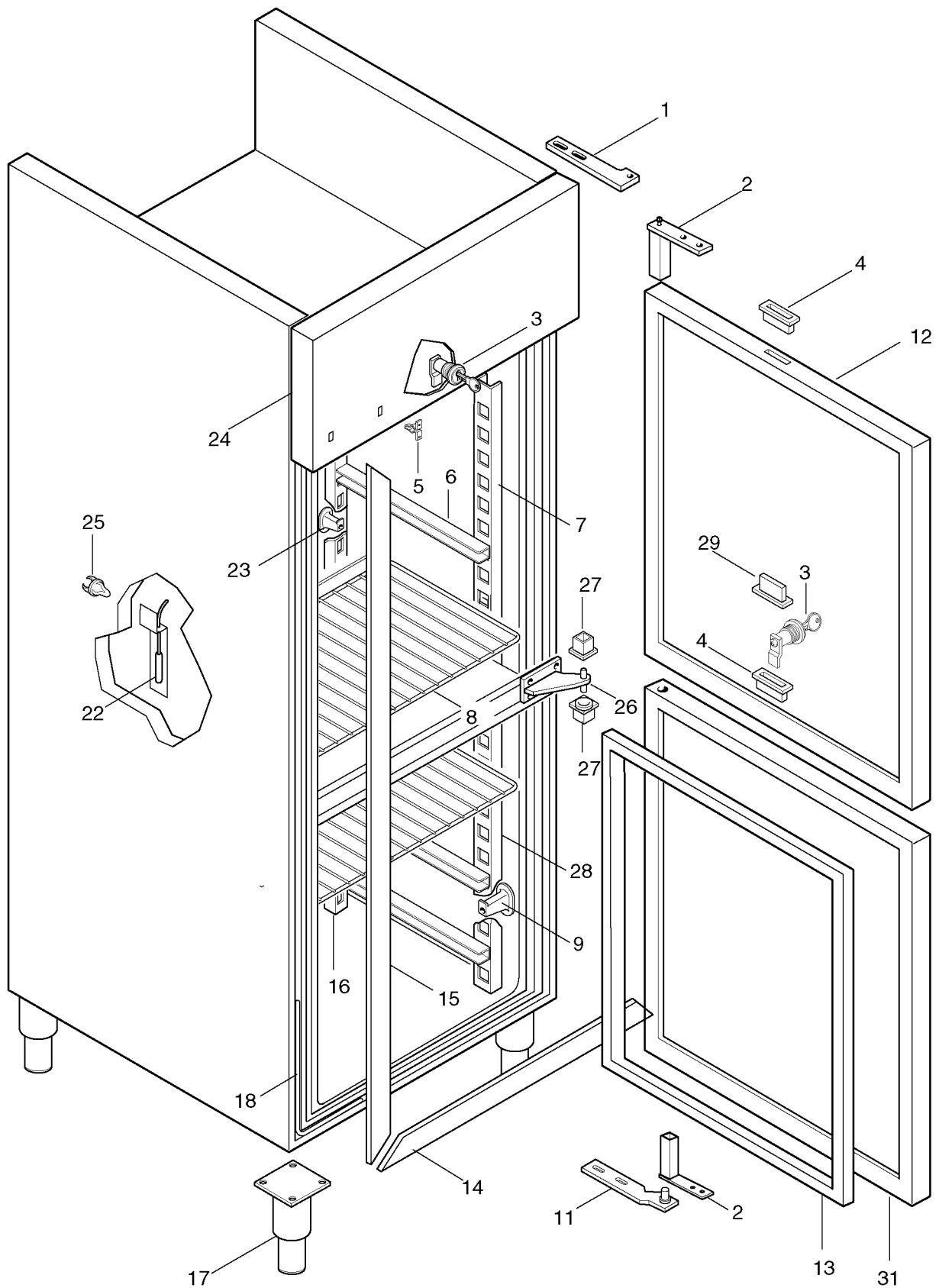
 Electronic Heavy Duty Range
 -24° C - 1M - full door

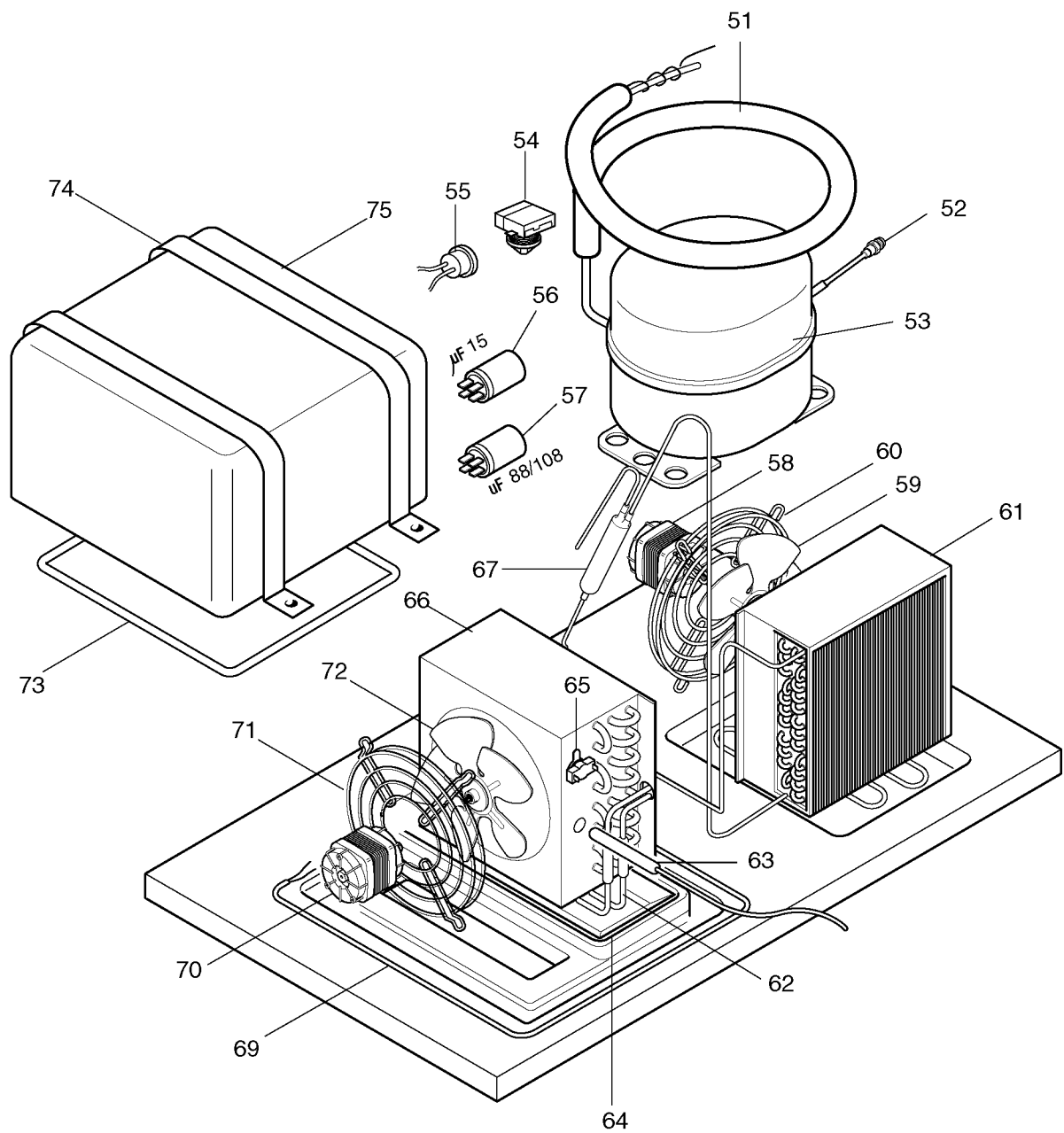
PNC	Model	Ref.	Page	
110614	ADF110	a	1, 3, 4	Z
110651	AKF110UK	b	1, 3, 4	Z/UK with castors
110661	ASF110UK	c	1, 3, 4	Z/UK with castors
728079	E06F0D1C	e	1, 3, 4	A
728291	E06F0D1C	e	1, 3, 4	Mc Donald's
771614	FDfE061	g	1, 3, 4	P
728168	C06FD1F	h	1, 3, 4	E
728169	C06FD1FL	h	1, 3, 4	E
728270	FSD36	h	1, 3, 4	E/UK with castors
728276	FS25	l	1, 3, 4	E/UK with castors
110615	ADF120	p	2, 3, 4	Z
728080	E06C0D2C	q	2, 3, 4	A
728346	E06C0D2C	q	2, 3, 4	Mc Donald's
771615	FDNE062	r	2, 3, 4	P
728171	C06FD2F	s	2, 3, 4	E

Pag.	Index	Indice
1, 2	Cabinet and door	Armadio e porta
3	Cooling unit assembly	Gruppo refrigerante
4	Controlpanel	Pannello comandi
5-7	Spare parts list	Lista ricambi

Brand: Z - P - E - A
Factory code: 9733







* 99 = Cooling unit assembly
Gruppo refrigerante

