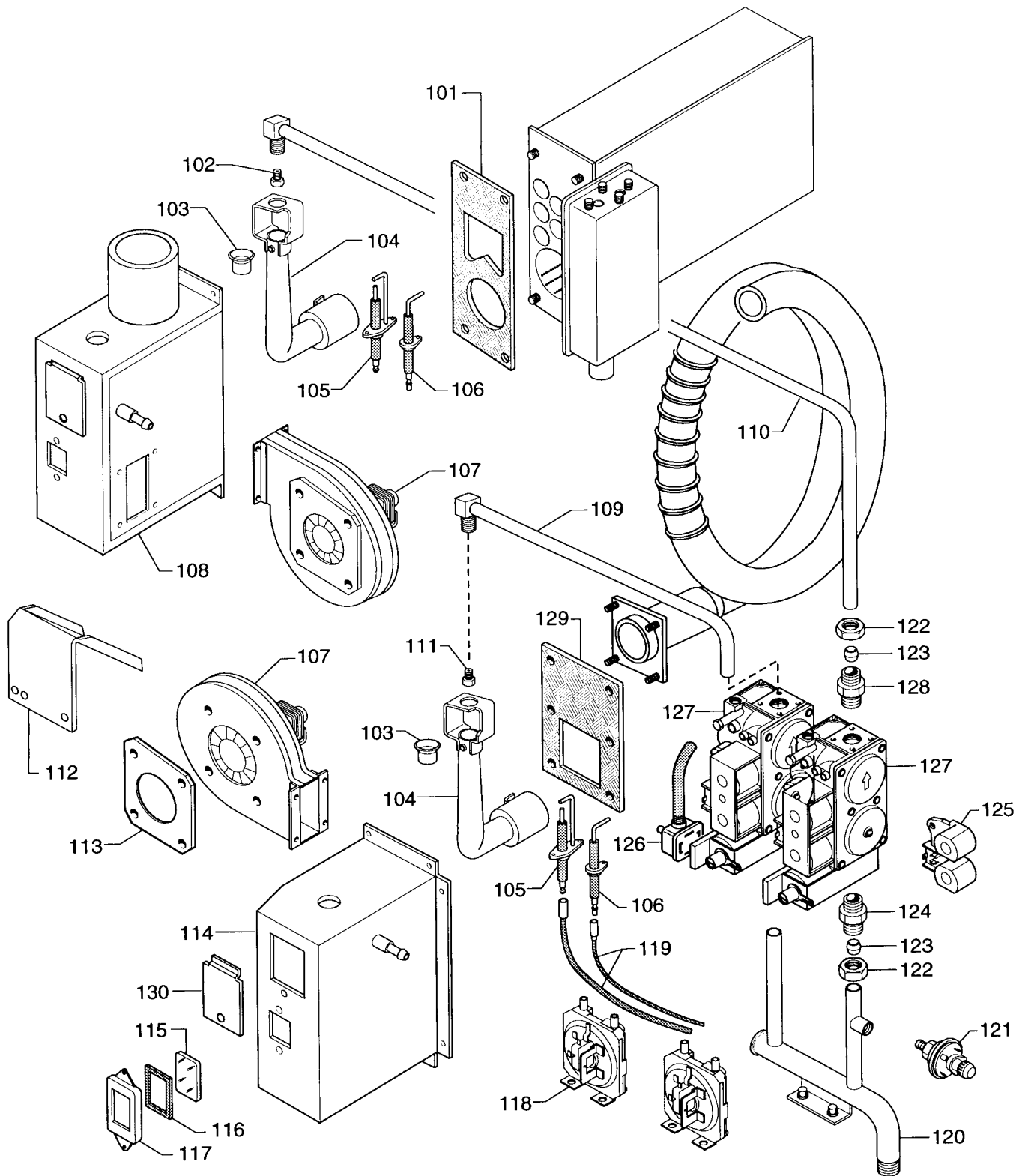


* 64 — INSIDE GLASS DOOR ASSEMBLY
 ASSIEME VETRO INTERNO PORTA

* 65 — DOOR ASSEMBLY
 ASSIEME PORTA

10 GN 1/1 AND 10 GN 2/1 GAS STEAM - CONVECTION OVEN
 FORNO CONVEZIONE - VAPORE GAS 10 GN 1/1 E 10 GN 2/1

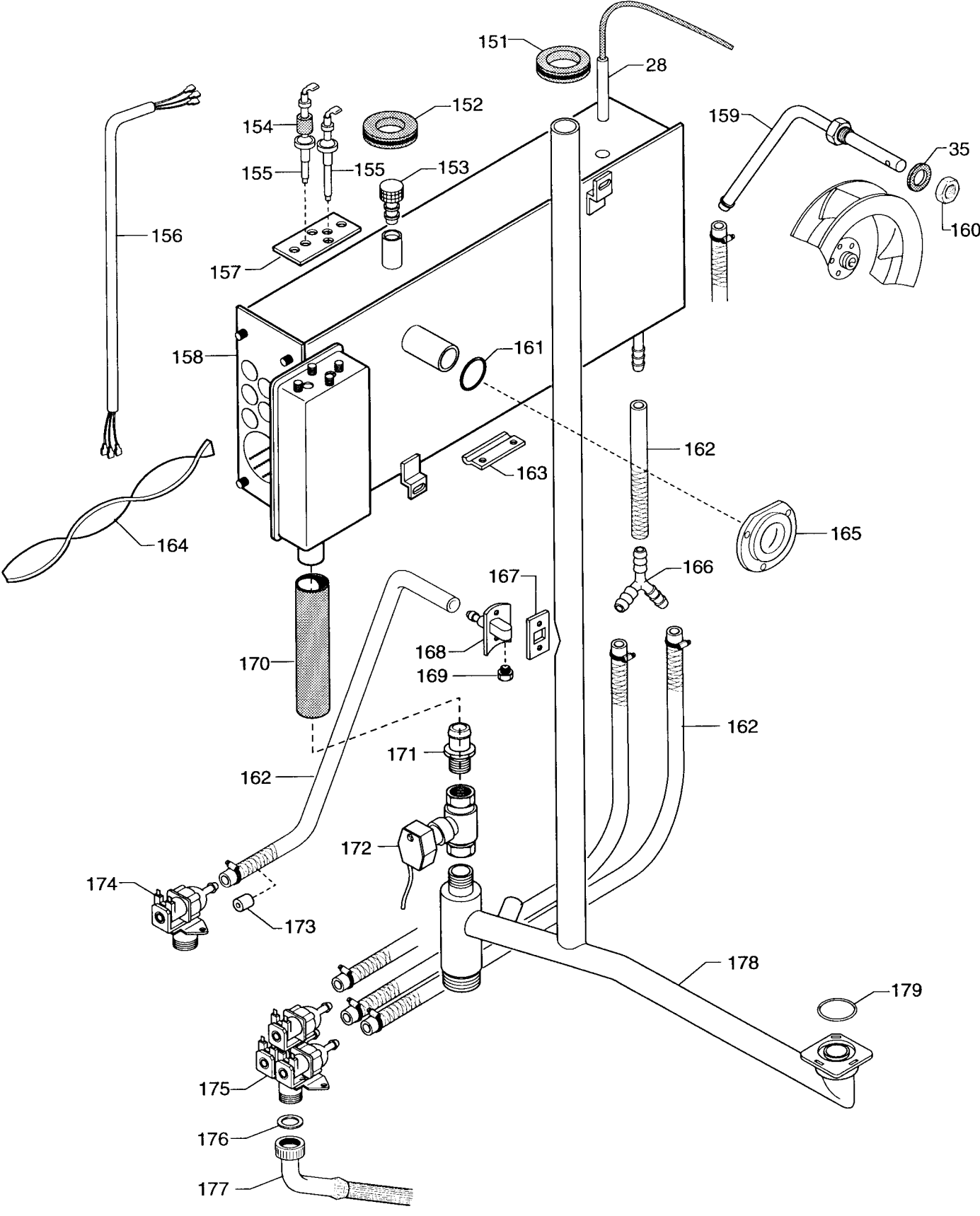
ACTIVE COMBI



102 Boiler		111 Convezione/convection	
59359	∅ 3,60 2H,2E,2E+,2L G20 - 20mbar	a	59359 ∅ 3,60 2H,2E,2E+,2L G20 - 20mbar
59528	∅ 3,95 2H,2E,2E+,2L G20 - 20mbar	b	02864 ∅ 4,50 2H,2E,2E+,2L G20 - 20mbar
02866	∅ 3,90 LL G25 20mbar (Germania)	a	02866 ∅ 3,90 LL G25 20mbar (Germania)
02863	∅ 4,35 LL G25 20mbar (Germania)	b	A2305 ∅ 5,20 LL G25 20mbar (Germania)
A2081	∅ 2,30 3+,3B/P G30/G31 28-30/37mbar	a	A2081 ∅ 2,30 3+,3B/P G30/G31 28-30/37mbar
59382	∅ 2,50 3+,3B/P G30/G31 28-30/37mbar	b	59358 ∅ 2,85 3+,3B/P G30/G31 28-30/37mbar
A2102	∅ 2,00 3B/P G30/G31 50 mbar (Germ.)	a	A2102 ∅ 2,00 3B/P G30/G31 50 mbar (Germ.)
A2083	∅ 2,20 3B/P G30/G31 50 mbar (Germ.)	b	58980 ∅ 2,45 3B/P G30/G31 50 mbar (Germ.)

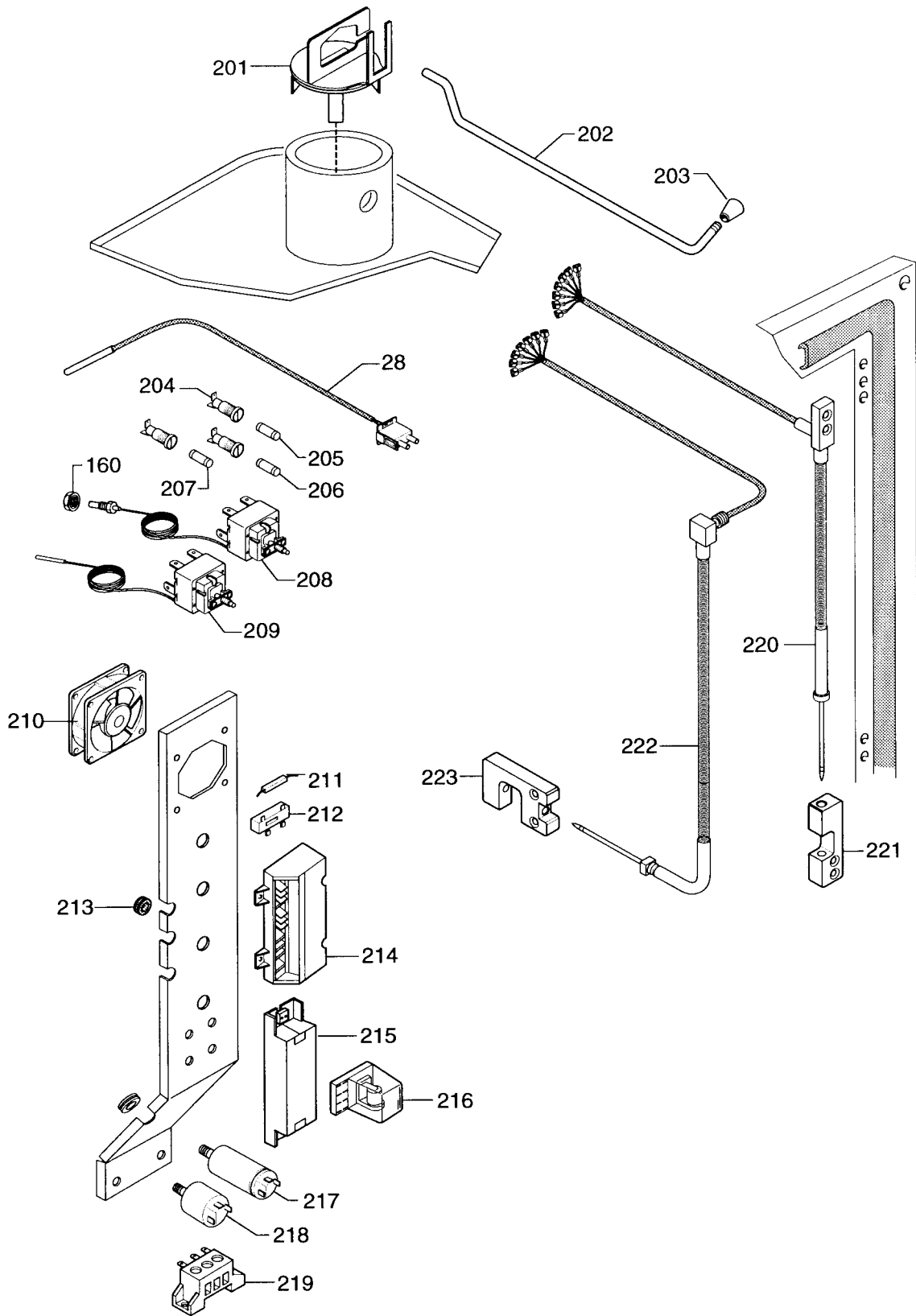
10 GN 1/1 AND 10 GN 2/1 GAS STEAM - CONVECTION OVEN
 FORNO CONVEZIONE - VAPORE GAS 10 GN 1/1 E 10 GN 2/1

ACTIVE COMBI



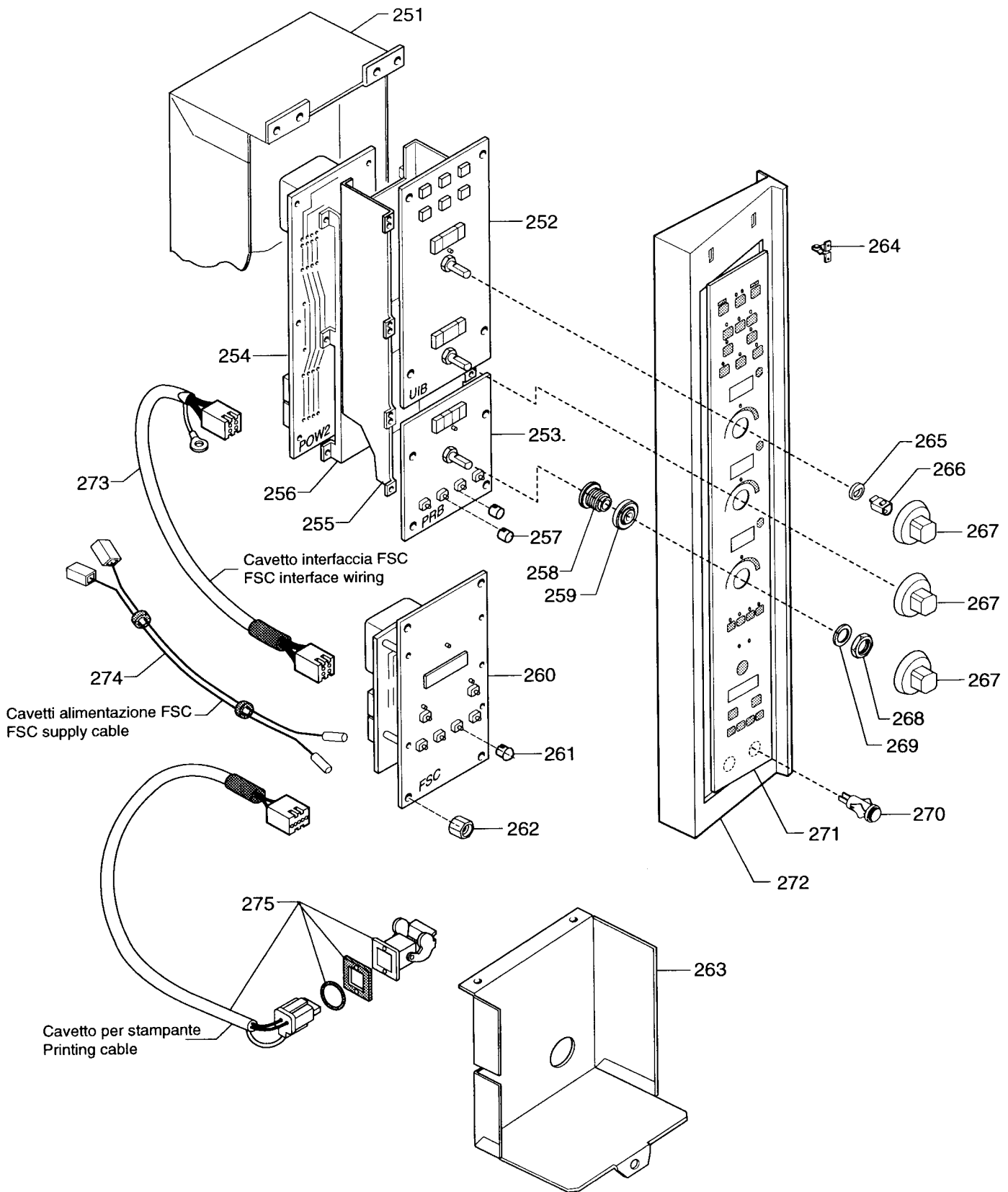
10 GN 1/1 AND 10 GN 2/1 GAS STEAM - CONVECTION OVEN
 FORNO CONVEZIONE - VAPORE GAS 10 GN 1/1 E 10 GN 2/1

ACTIVE COMBI



10 GN 1/1 AND 10 GN 2/1 GAS STEAM - CONVECTION OVEN
 FORNO CONVEZIONE - VAPORE GAS 10 GN 1/1 E 10 GN 2/1

ACTIVE COMBI



10 GN 1/1 AND 10 GN 2/1 GAS STEAM - CONVECTION OVEN
FORNO CONVEZIONE - VAPORE GAS 10 GN 1/1 E 10 GN 2/1

ACTIVE COMBI