

**Modular Platform**

Viale Treviso, 15  
33170 Pordenone - Italy  
Fax: +39 0434-380577

**PENTOLE GAS DIRETTE 100/150Lt N900**  
**GAS BOILING PAN DIRECT HEATING 100/150Lt N900**

<b>PNC</b>	<b>Model</b>	<b>Ref.</b>	<b>Page</b>	<b>Notes</b>
200275	KPD/G10	a	1 ... 8	100Lt Gas Boiling Pan Direct Heating
200276	KPD/G15	b	1 ... 8	150Lt Gas Boiling Pan Direct Heating
200277	KPD/G15A	c	1 ... 8	150Lt Gas Boiling Pan Direct Heating Autoclave

Pag. 1 - 2 - 3 - 5  
Pag. 4  
Pag. 6 - 7 - 8

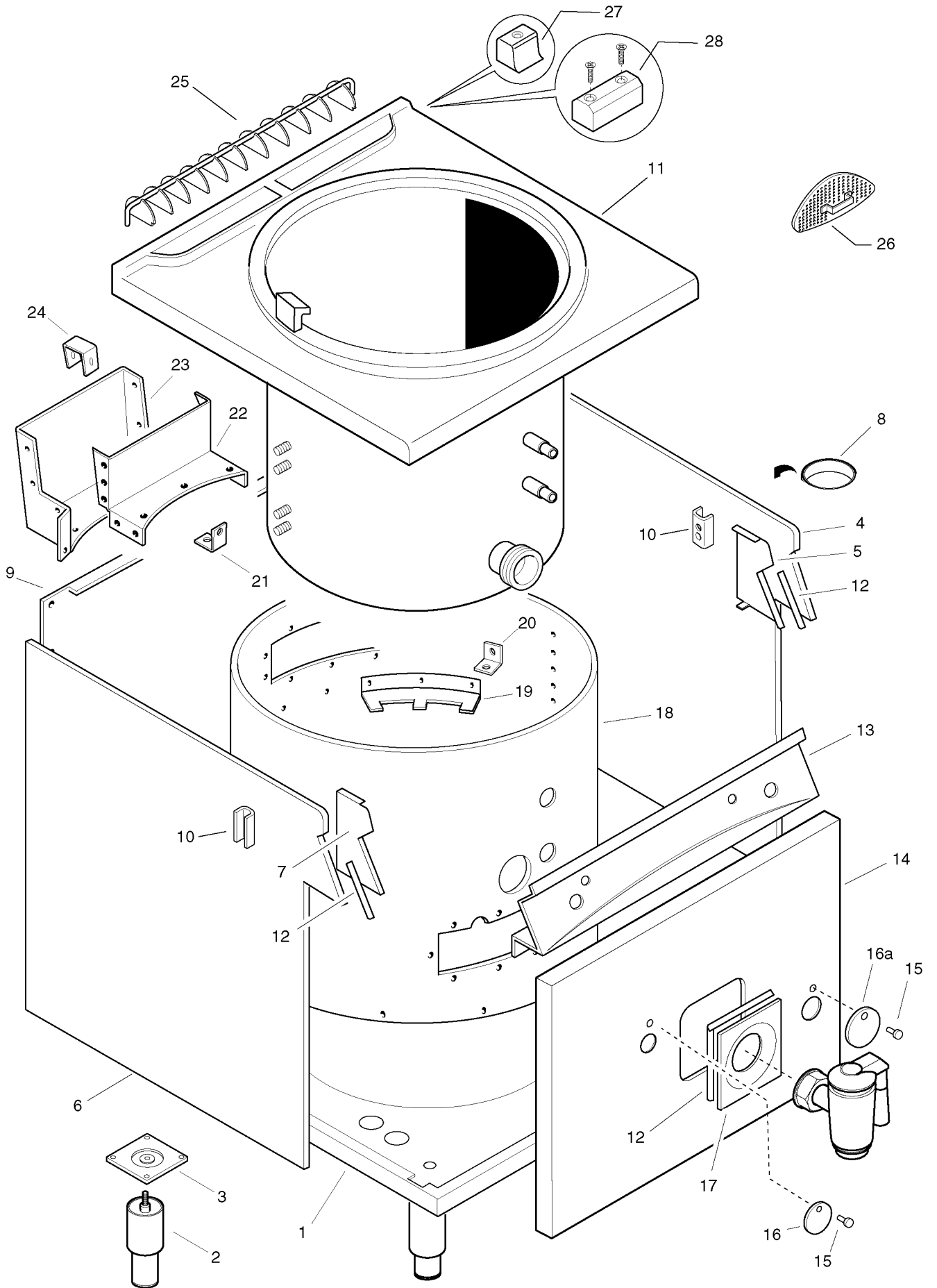
**Index**

Frame and components  
Pilot / Burner Nozzle  
Spare parts list

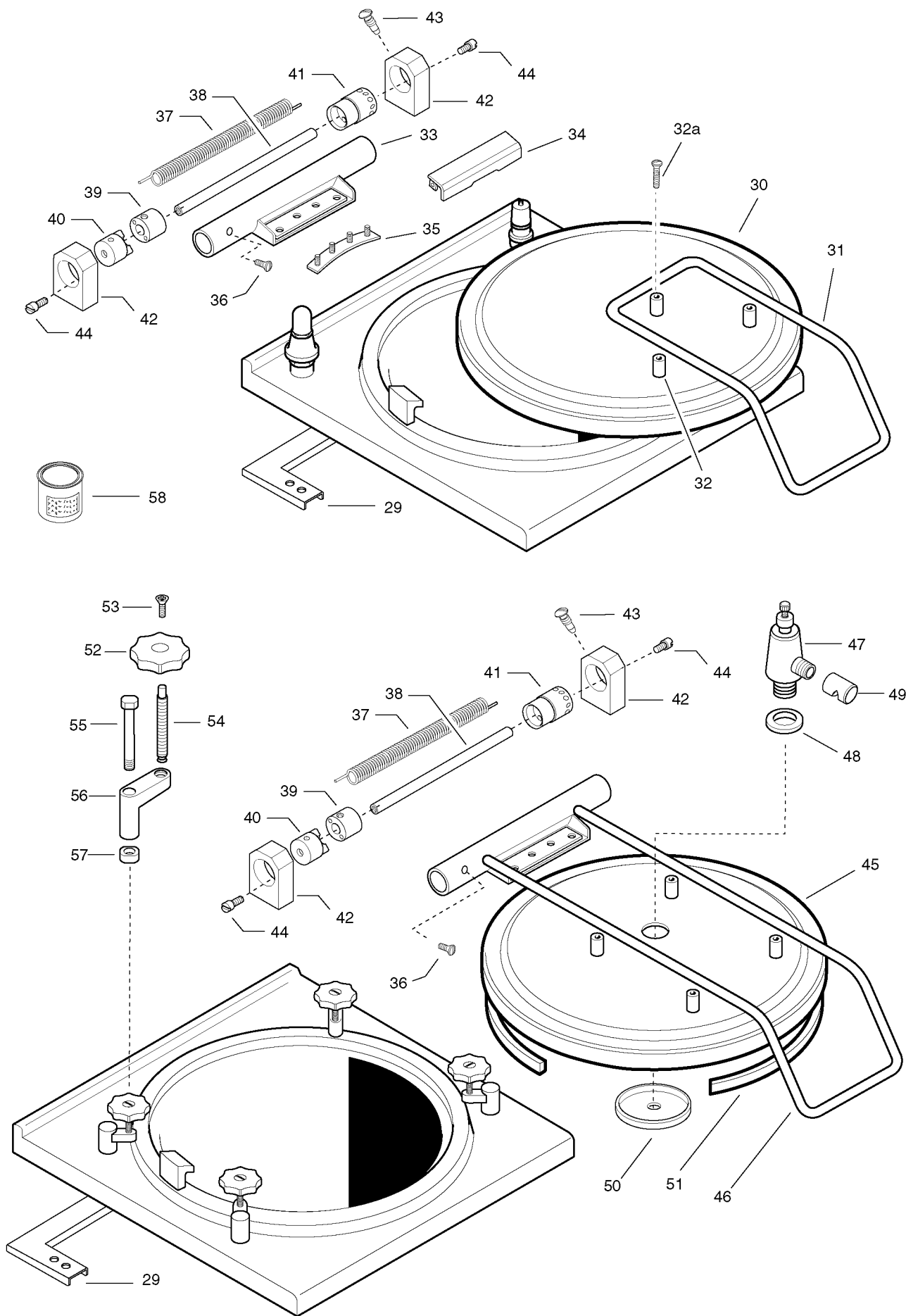
**Indice**

Struttura e componenti  
Tabelle ugelli  
Lista ricambi

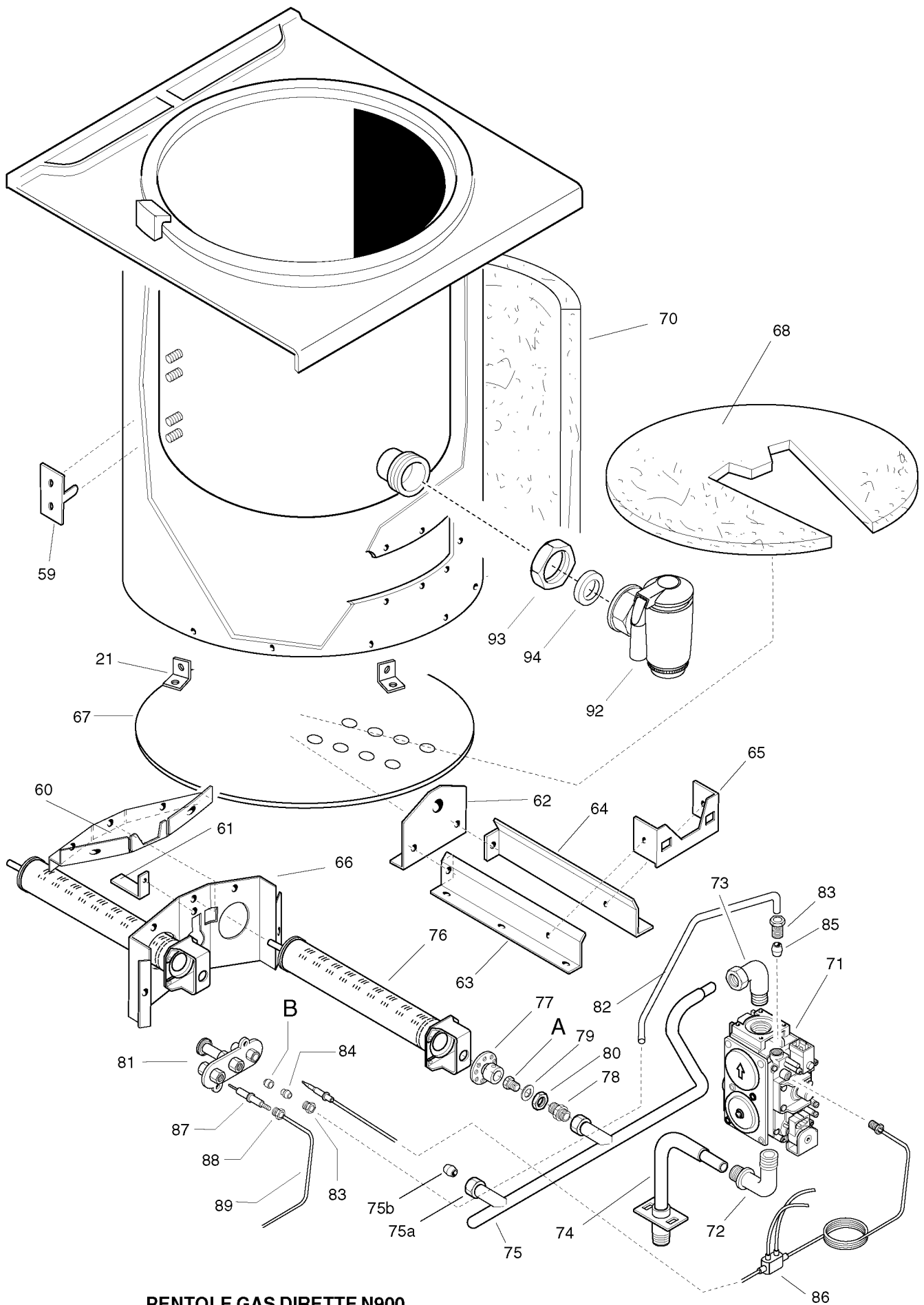
**Brand / Marchio :** Zanussi  
**Factory code:** 7PDN



**PENTOLE GAS DIRETTE N900**  
**GAS BOILING PAN DIRECT HEATING N900**



**PENTOLE GAS DIRETTE N900**  
**GAS BOILING PAN DIRECT HEATING N900**



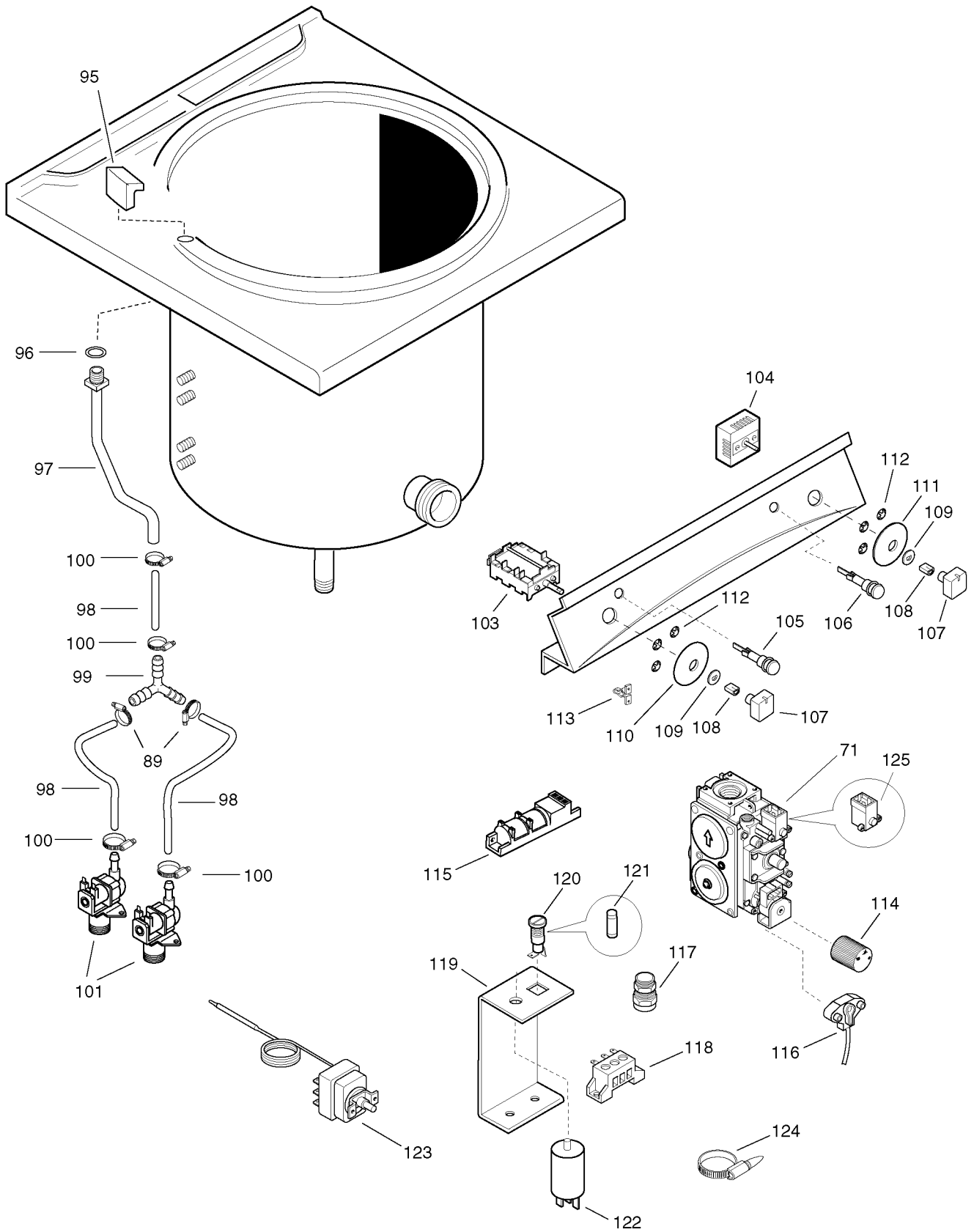
**PENTOLE GAS DIRETTE N900**  
**GAS BOILING PAN DIRECT HEATING N900**

<b>A - Ugello bruciatore / Burner nozzle 100LT</b>			
<b>6DGT Code</b>	<b>Ref. / Notes</b>		
059363	ø2.50	2H/2E+	G20 20mbar
0C0747	ø2.70	2ELL	G25 20mbar
002268	ø2.60	2L	G25 25mbar
054127	ø1.65	3+3B/P	G30/31 28-30/37mbar
056470	ø1.45	3B/P	G30/31 50mbar
054034	ø3.00	No CE	G20 10mbar

<b>A - Ugello bruciatore / Burner nozzle 150LT</b>			
<b>6DGT Code</b>	<b>Ref. / Notes</b>		
002268	ø2.60	2H/2E+	G20 20mbar
006419	ø2.90	2ELL	G25 20mbar
003371	ø2.75	2L	G25 25mbar
003723	ø1.75	3+3B/P	G30/31 28-30/37mbar
003722	ø1.55	3B/P	G30/31 50mbar
054084	ø3.00	No CE	G20 10mbar

<b>B - Ugello pilota / Pilot nozzle</b>			
<b>6DGT Code</b>	<b>Ref./ Notes</b>		
053670	n°41	2H/2E+	G20 20mbar
053670	n°41	2ELL	G25 20mbar
053670	n°41	2L	G25 25mbar
053667	n°30	3+3B/P	G30/31 28-30/37mbar
053667	n°30	3B/P	G30/31 50mbar
053670	n°41	No CE	G20 10mbar

**PENTOLE GAS DIRETTE N900  
GAS BOILING PAN DIRECT HEATING N900**



**PENTOLE GAS DIRETTE N900**  
**GAS BOILING PAN DIRECT HEATING N900**