

Omnia Service

Via Cesare Battisti, 12
31015 Conegliano (TV) - Italy
Fax: 0438-450202

CATALOGO PARTI DI RICAMBIO
SPARE PARTS CATALOGUE

**FORNO CONVEZIONE - VAPORE GAS 20 GN1/1 E 20 GN2/1
20 GN1/1 AND 20GN 2/1 GAS STEAM - CONVECTION OVEN**

PNC	Model	Ref.	Page	Type	
260 220	5714 - 2 - 6	a	1 - 5		air o steam FCV/G 20 1/1
260 260	5714 - 2 - 6L	a	1 - 5	(L.P.G.)	
260 221	5714 - 2 - 7	b	1 - 5		
260 261	5714 - 2 - 7L	b	1 - 5	(L.P.G.)	
260 222	5714 - 2 - 8	c	1 - 5		
260 262	5714 - 2 - 8L	c	1 - 5	(L.P.G.)	
260 223	5714 - 2 - 10	d	1 - 5		
260 263	5714 - 2 - 10L	d	1 - 5	(L.P.G.)	
260 230	5717 - 2 - 6	e	1 - 5		air o steam FCV/G 20 2/1
260 270	5717 - 2 - 6L	e	1 - 5	(L.P.G.)	
260 231	5717 - 2 - 7	f	1 - 5		
260 271	5717 - 2 - 7L	f	1 - 5	(L.P.G.)	
260 232	5717 - 2 - 8	g	1 - 5		
260 272	5717 - 2 - 8L	g	1 - 5	(L.P.G.)	
260 233	5717 - 2 - 10	h	1 - 5		
260 273	5717 - 2 - 10L	h	1 - 5	(L.P.G.)	

Indice

Pag. 1 Cella forno
2 Porta forno
3 Componenti gas
4 Boiler e componenti
5 Componenti elettrici
6-11 Lista ricambi

Index

Oven cabinet
Oven door
Gas components
Boiler and components
Electrical components
Spare parts list

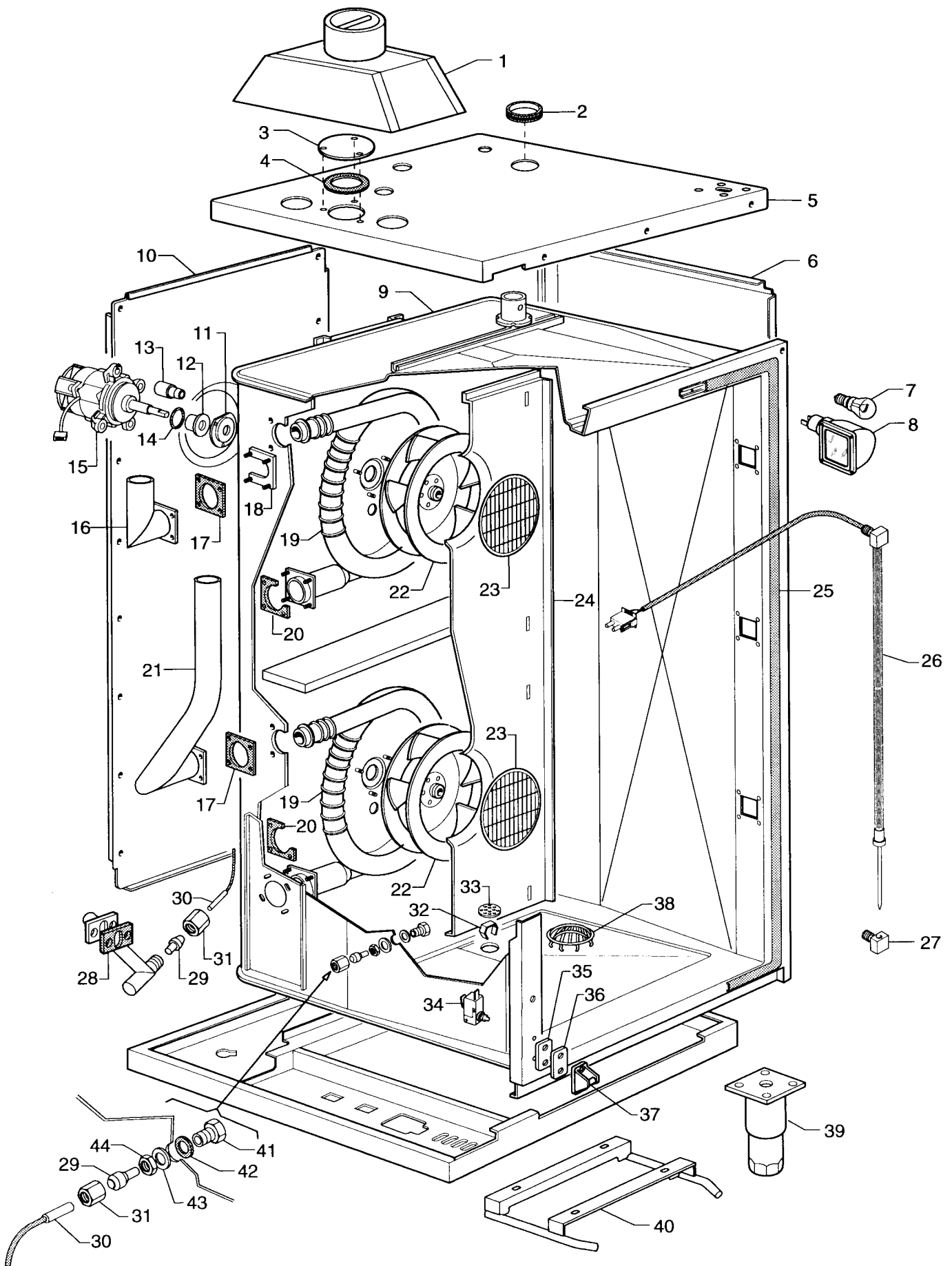
Marchio / Brand: J
Paese / Country: Tutti / All
Factory code: 9731

Da Ser. Nr. / From ser. nr.: 835.....

Ed. 0003

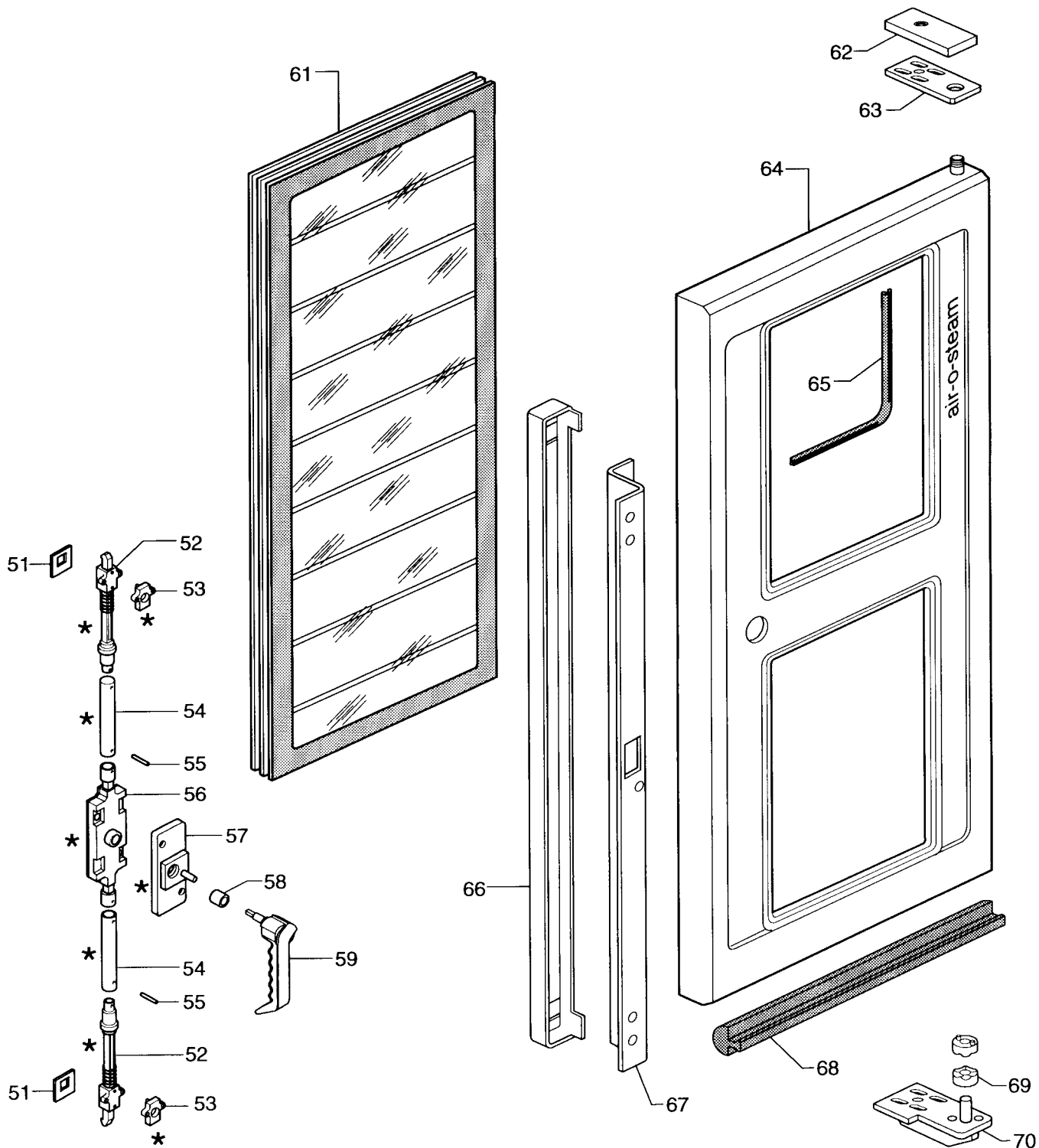
Doc. Nr.:

3 - 12 205



FORNO CONVEZIONE-VAPORE GAS 20 GN1/1 E 20 GN2/1
 20 GN1/1 AND 20 GN2/1 GAS STEAM-CONVECTION OVEN

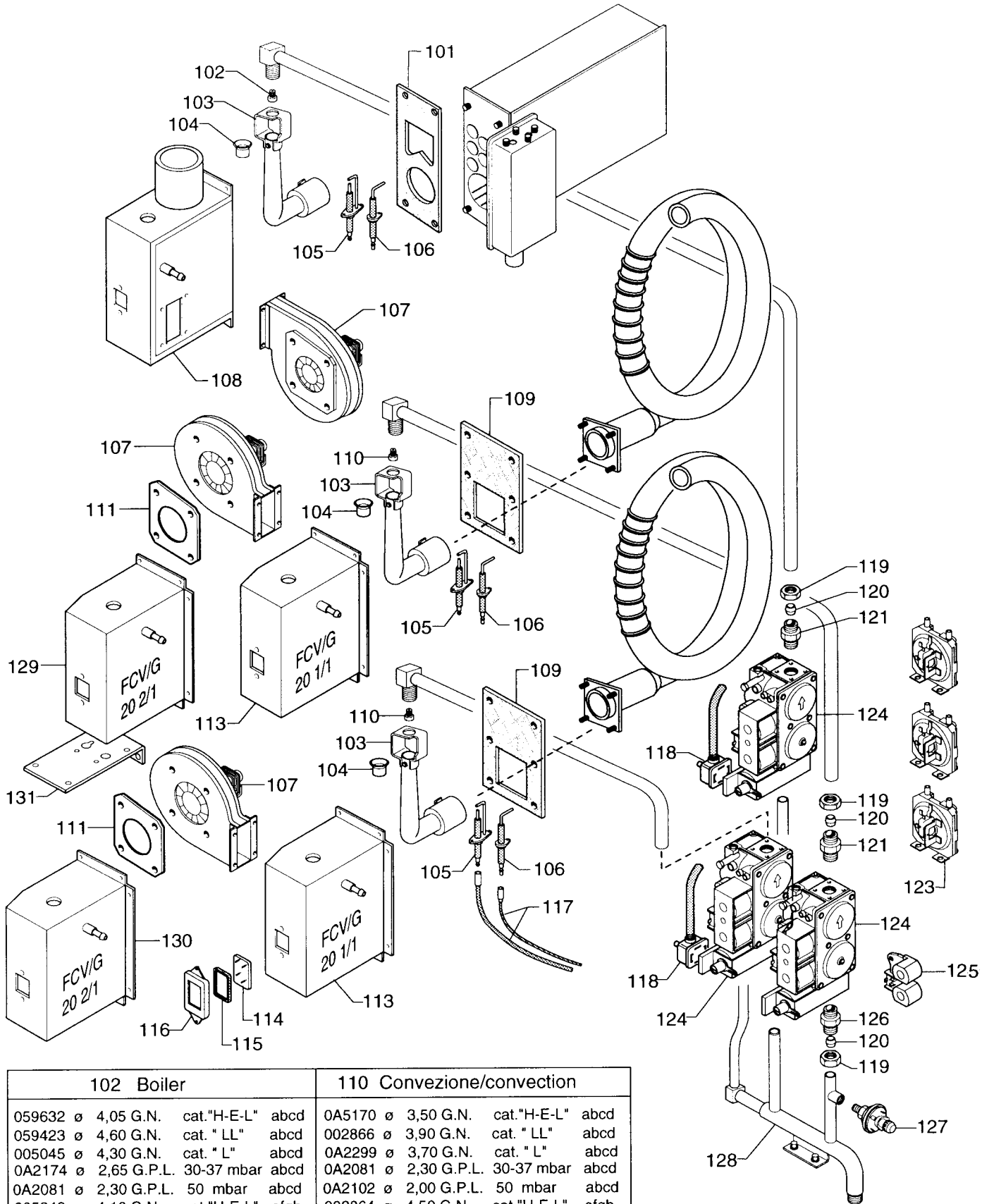
5714-2 / 5717-2



71 * { LEVER HOOK LOCK ASSEMBLY
 ASSIEME CHIUSURA

FORNO CONVEZIONE-VAPORE GAS 20 GN1/1 E 20 GN2/1
 20 GN1/1 AND 20 GN2/1 GAS STEAM-CONVECTION OVEN

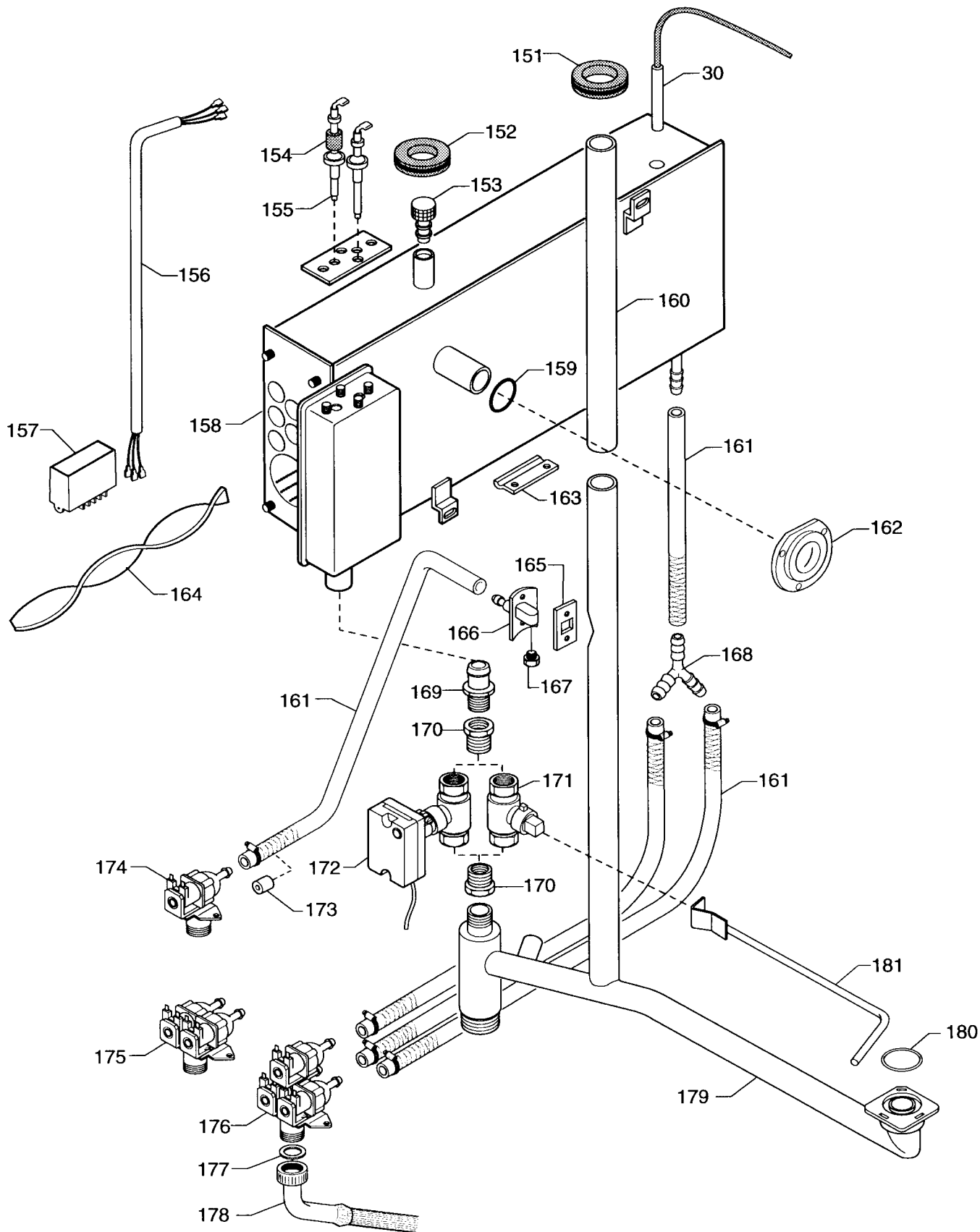
5714-2 / 5717-2



102 Boiler				110 Convezione/convection			
059632	ø 4,05 G.N.	cat."H-E-L"	abcd	0A5170	ø 3,50 G.N.	cat."H-E-L"	abcd
059423	ø 4,60 G.N.	cat. "LL"	abcd	002866	ø 3,90 G.N.	cat. "LL"	abcd
005045	ø 4,30 G.N.	cat. "L"	abcd	0A2299	ø 3,70 G.N.	cat. "L"	abcd
0A2174	ø 2,65 G.P.L.	30-37 mbar	abcd	0A2081	ø 2,30 G.P.L.	30-37 mbar	abcd
0A2081	ø 2,30 G.P.L.	50 mbar	abcd	0A2102	ø 2,00 G.P.L.	50 mbar	abcd
005243	ø 4,10 G.N.	cat."H-E-L"	efgh	002864	ø 4,50 G.N.	cat."H-E-L"	efgh
002864	ø 4,50 G.N.	cat. "LL"	efgh	0A2106	ø 5,00 G.N.	cat. "LL"	efgh
005243	ø 4,10 G.N.	cat. "L"	efgh	003951	ø 4,70 G.N.	cat. "L"	efgh
059382	ø 2,50 G.P.L.	30-37 mbar	efgh	059358	ø 2,85 G.P.L.	30-37 mbar	efgh
0A2083	ø 2,20 G.P.L.	50 mbar	efgh	0A2104	ø 2,40 G.P.L.	50 mbar	efgh

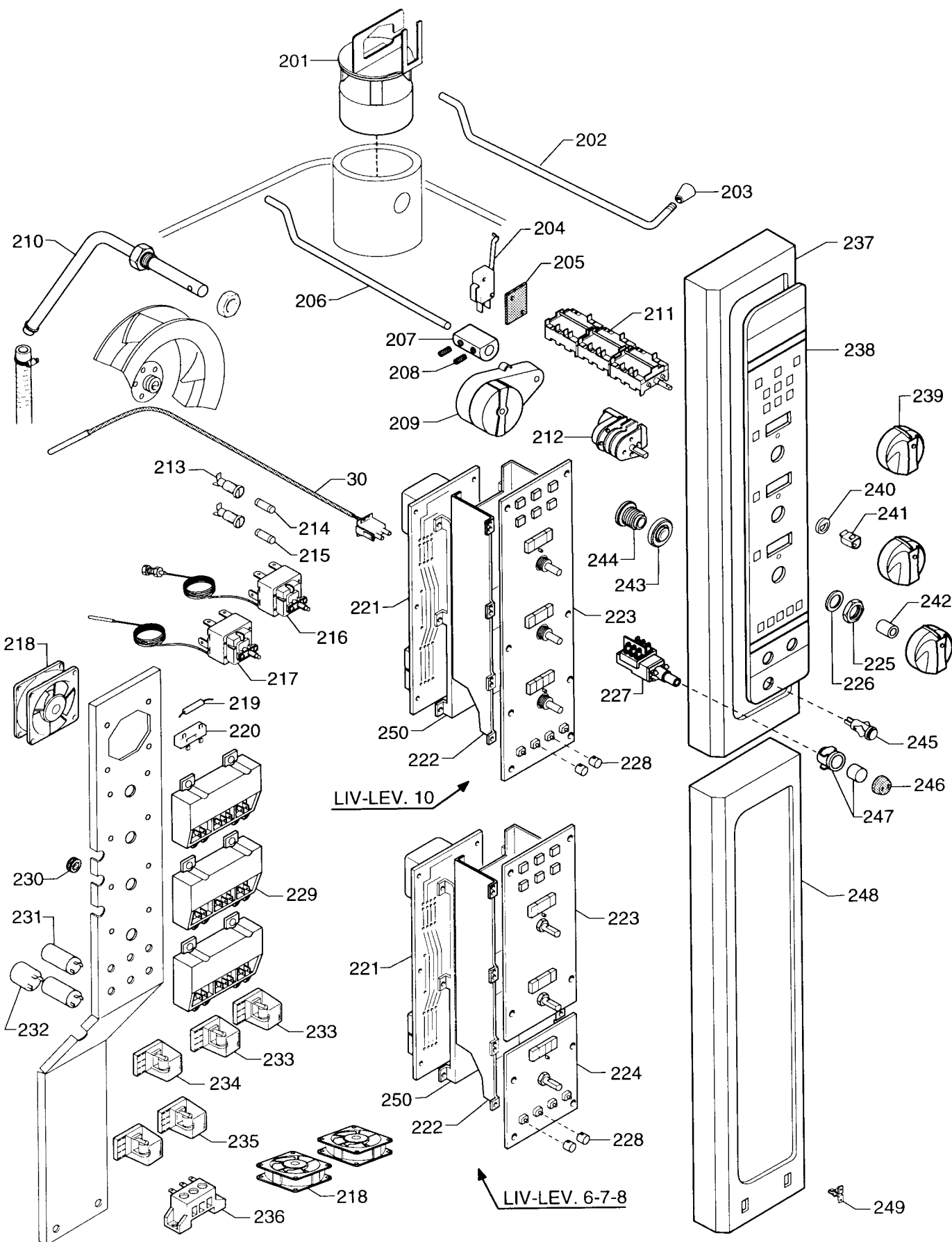
FORNO CONVEZIONE-VAPORE GAS 20 GN1/1 E 20 GN2/1
20 GN1/1 AND 20 GN2/1 GAS STEAM-CONVECTION OVEN

5714-2 / 5717-2



FORNO CONVEZIONE-VAPORE GAS 20 GN1/1 E 20 GN2/1
 20 GN1/1 AND 20 GN2/1 GAS STEAM-CONVECTION OVEN

5714-2 / 5717-2



LIV-LEV. 10

LIV-LEV. 6-7-8

FORNO CONVEZIONE-VAPORE GAS 20 GN1/1 E 20 GN2/1
 20 GN1/1 AND 20 GN2/1 GAS STEAM-CONVECTION OVEN

5714-2 / 5717-2

20 GN1/1 AND 20GN 2/1 GAS STEAM - CONVECTION OVEN
FORNO CONVEZIONE - VAPORE GAS 20 GN1/1 E 20 GN2/1

PNC	Model	Ref.	Page	Notes
260 221	5714 - 2 - 7	b	1-2-3-4-6-7	Level 7
260 261	5714 - 2 - 7L	b	1-2-3-4-6-7	Level 7 (L.P.G.)
260 222	5714 - 2 - 8	c	1-2-3-4-6-7	Level 8
260 262	5714 - 2 - 8L	c	1-2-3-4-6-7	Level 8 (L.P.G.)
260 223	5714 - 2 - 10	d	1-2-3-4-6-7	Level 10
260 263	5714 - 2 - 10L	d	1-2-3-4-6-7	Level 10 (L.P.G.)
} air o steam FCV/G 20 1/1				
260 231	5717 - 2 - 7	f	1-2-3-5-6-7	Level 7
260 271	5717 - 2 - 7L	f	1-2-3-5-6-7	Level 7 (L.P.G.)
260 232	5717 - 2 - 8	g	1-2-3-5-6-7	Level 8
260 272	5717 - 2 - 8L	g	1-2-3-5-6-7	Level 8 (L.P.G.)
260 233	5717 - 2 - 10	h	1-2-3-5-6-7	Level 10
260 273	5717 - 2 - 10L	h	1-2-3-5-6-7	Level 10 (L.P.G.)
} air o steam FCV/G 20 2/1				

Indice

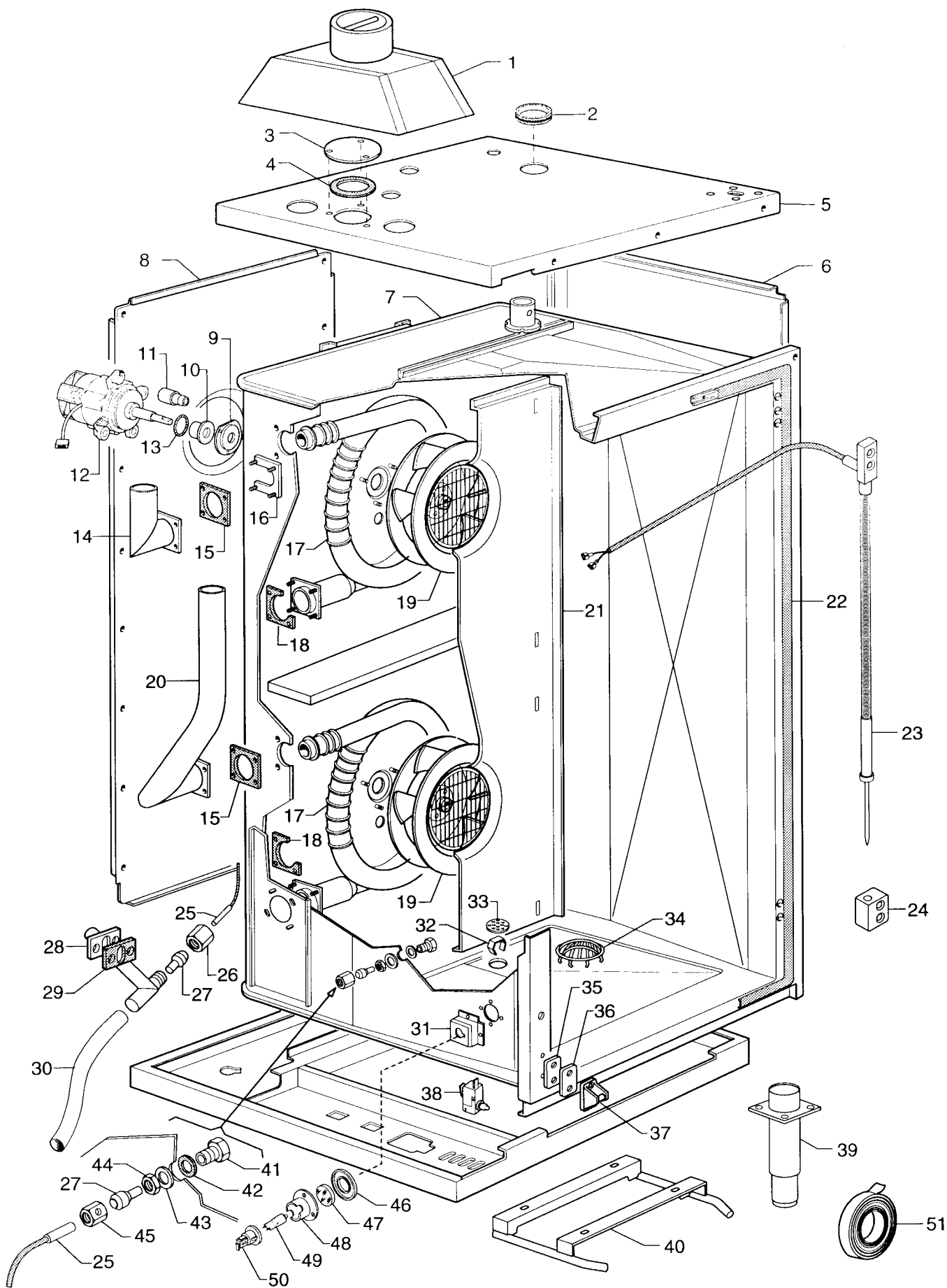
Pag. 1	Oven cabinet
2	Oven door
3	Gas components
4	Boiler and components
5	Boiler and components
6	Electrical components
7	Control panel level 7-8-10
8-14	Lista ricambi

Index

Cella forno
Porta forno
Componenti gas
Boiler e componenti
Boiler e componenti
Componenti elettrici
Cruscotto comandi livello 7-8-10
Spare parts list

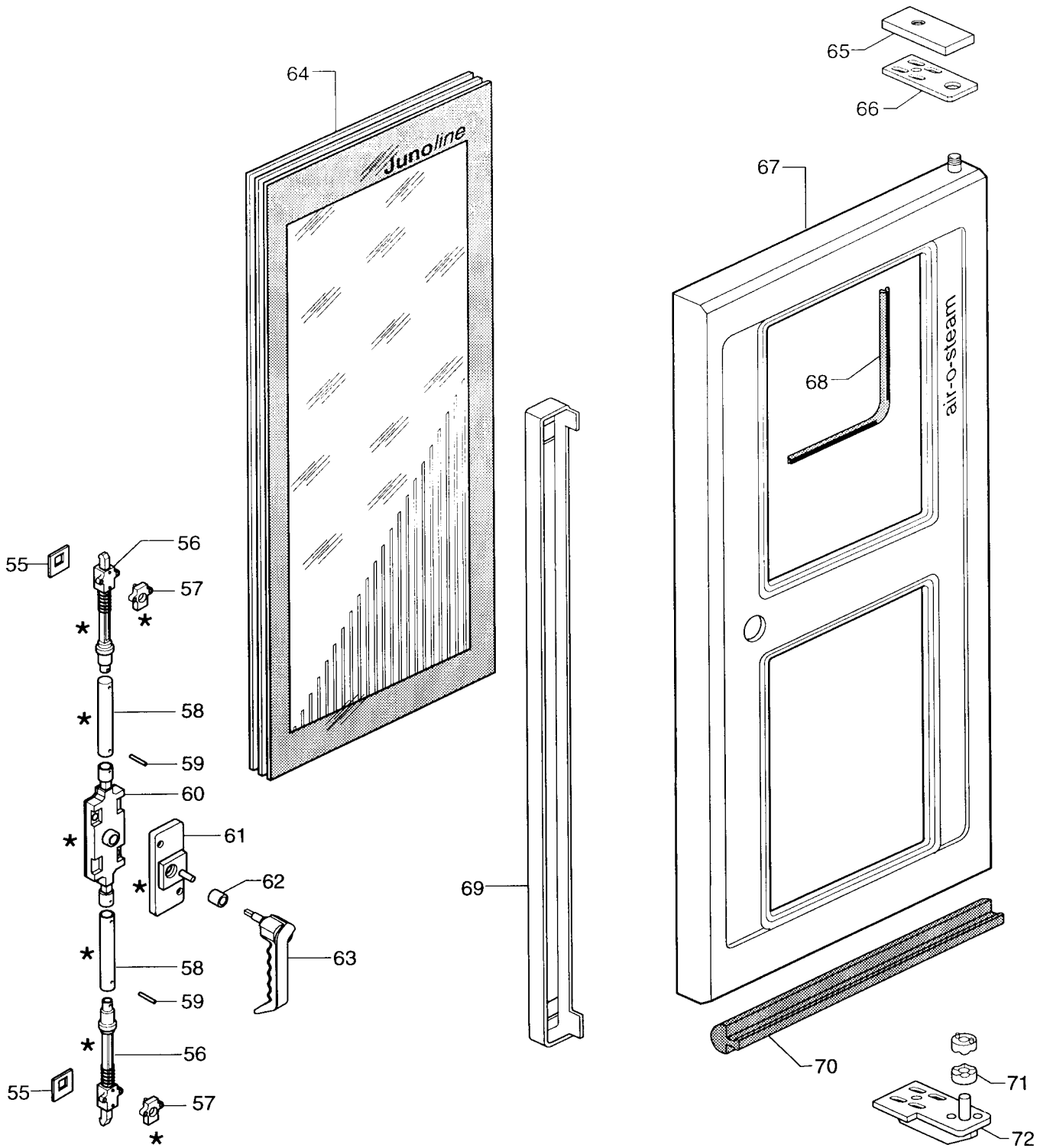
Marchio / Brand: J
Paese / Country: Tutti / All
Factory code: 9731

OS/DOC



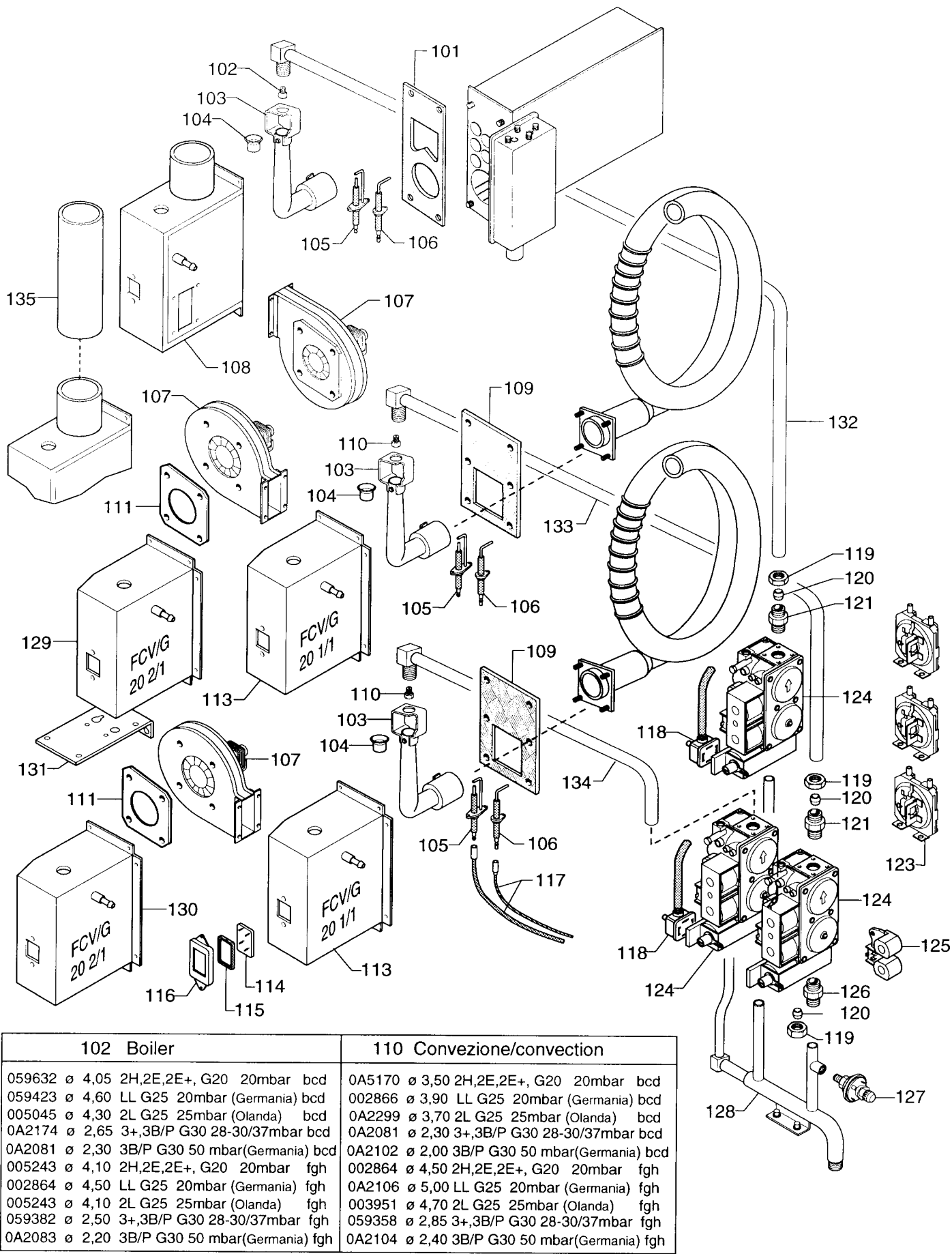
20 GN1/1 AND 20 GN2/1 GAS STEAM-CONVECTION OVEN
 FORNO CONVEZIONE-VAPORE GAS 20 GN1/1 E 20 GN2/1

5714-2 / 5717-2



73 * { LEVER HOOK LOCK ASSEMBLY
 ASSIEME CHIUSURA

20 GN1/1 AND 20 GN2/1 GAS STEAM-CONVECTION OVEN
 FORNO CONVEZIONE-VAPORE GAS 20 GN1/1 E 20 GN2/1 5714-2 / 5717-2



102 Boiler	110 Convezione/convection
059632 ø 4,05 2H,2E,2E+, G20 20mbar bcd	0A5170 ø 3,50 2H,2E,2E+, G20 20mbar bcd
059423 ø 4,60 LL G25 20mbar (Germania) bcd	002866 ø 3,90 LL G25 20mbar (Germania) bcd
005045 ø 4,30 2L G25 25mbar (Olanda) bcd	0A2299 ø 3,70 2L G25 25mbar (Olanda) bcd
0A2174 ø 2,65 3+,3B/P G30 28-30/37mbar bcd	0A2081 ø 2,30 3+,3B/P G30 28-30/37mbar bcd
0A2081 ø 2,30 3B/P G30 50 mbar(Germania) bcd	0A2102 ø 2,00 3B/P G30 50 mbar(Germania) bcd
005243 ø 4,10 2H,2E,2E+, G20 20mbar fgh	002864 ø 4,50 2H,2E,2E+, G20 20mbar fgh
002864 ø 4,50 LL G25 20mbar (Germania) fgh	0A2106 ø 5,00 LL G25 20mbar (Germania) fgh
005243 ø 4,10 2L G25 25mbar (Olanda) fgh	003951 ø 4,70 2L G25 25mbar (Olanda) fgh
059382 ø 2,50 3+,3B/P G30 28-30/37mbar fgh	059358 ø 2,85 3+,3B/P G30 28-30/37mbar fgh
0A2083 ø 2,20 3B/P G30 50 mbar(Germania) fgh	0A2104 ø 2,40 3B/P G30 50 mbar(Germania) fgh

20 GN1/1 AND 20 GN2/1 GAS STEAM-CONVECTION OVEN
 FORNO CONVEZIONE-VAPORE GAS 20 GN1/1 E 20 GN2/1

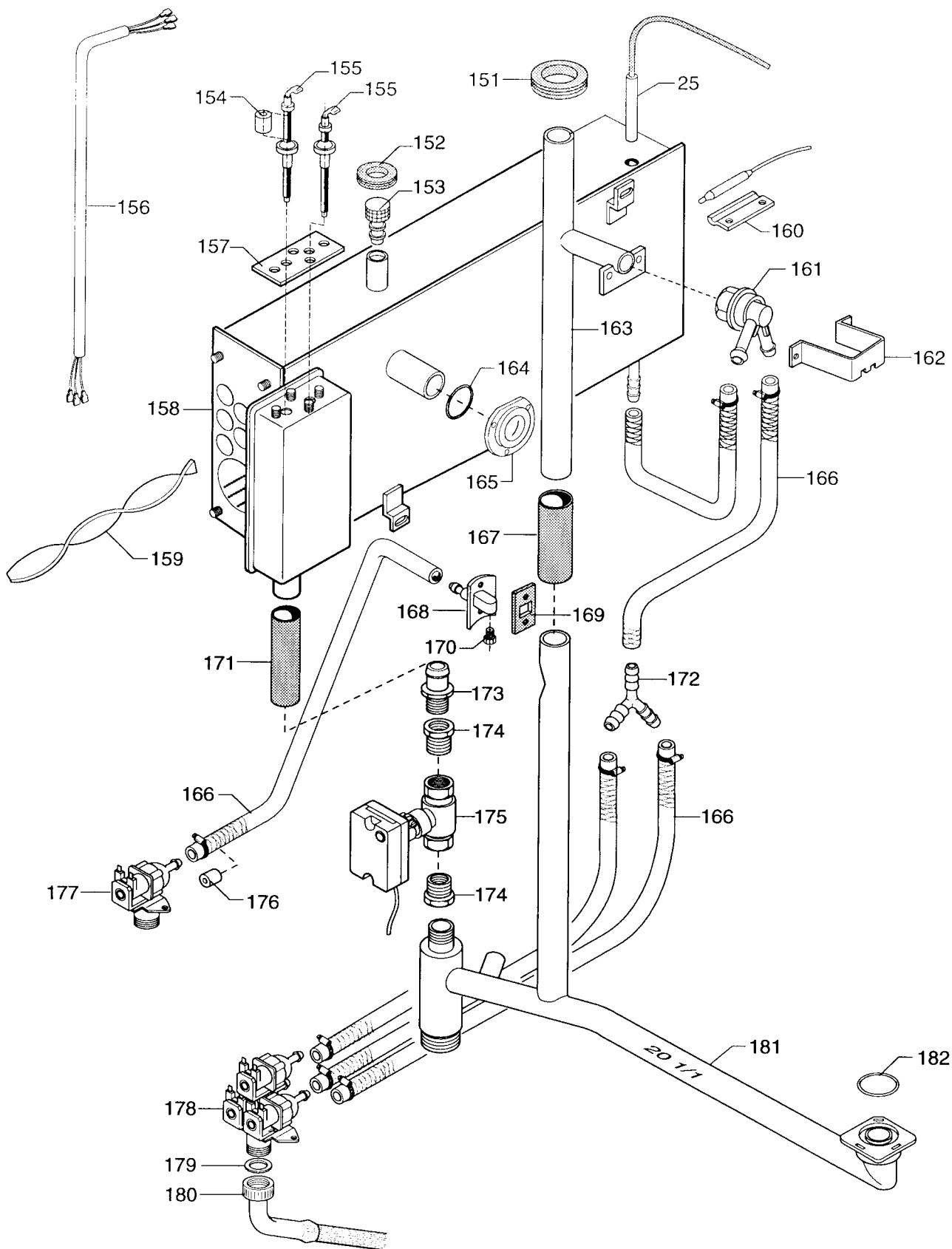
5714-2 / 5717-2

From ser. nr. / Da Ser. Nr. : 036.....

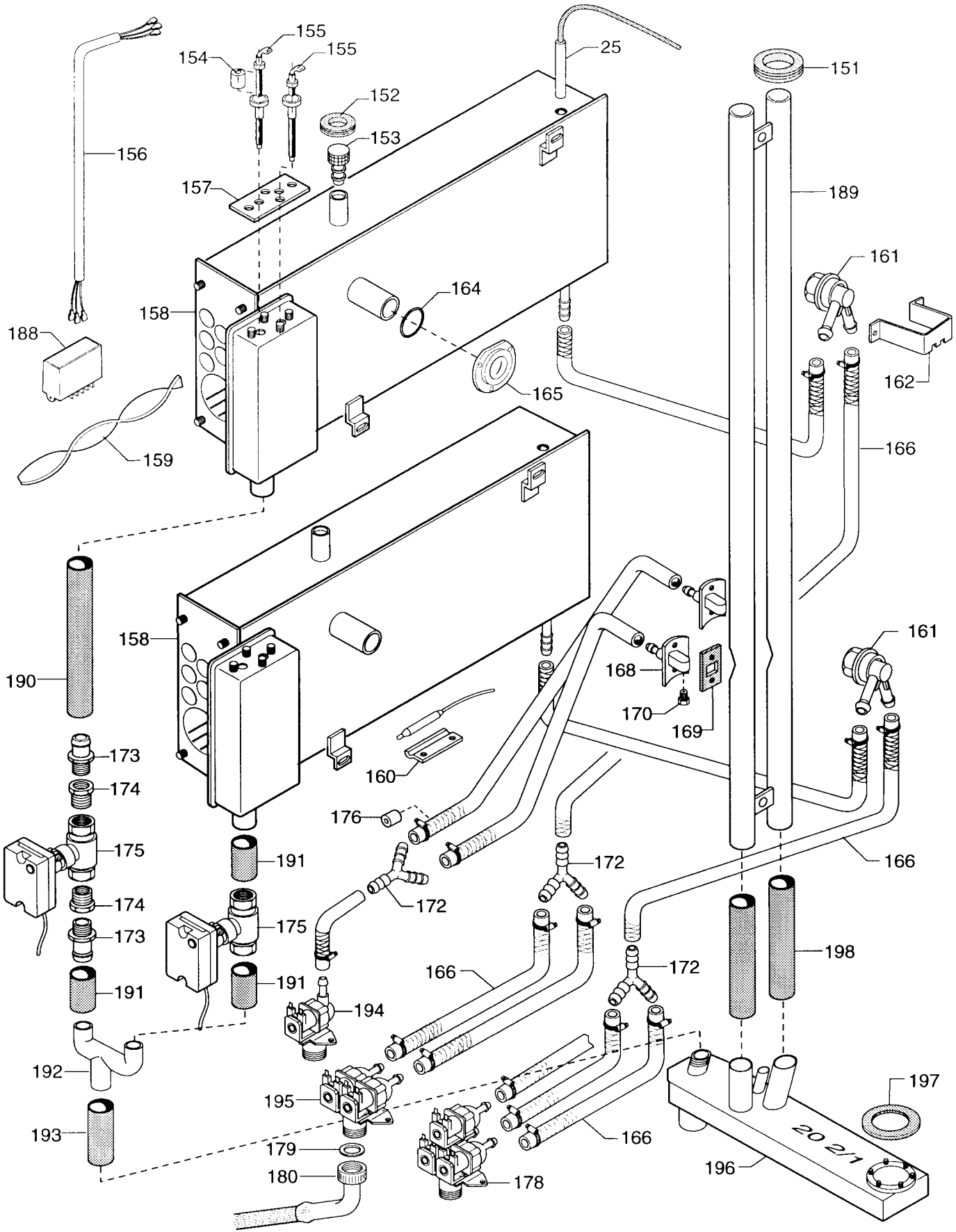
Page:3

Ed. 0011

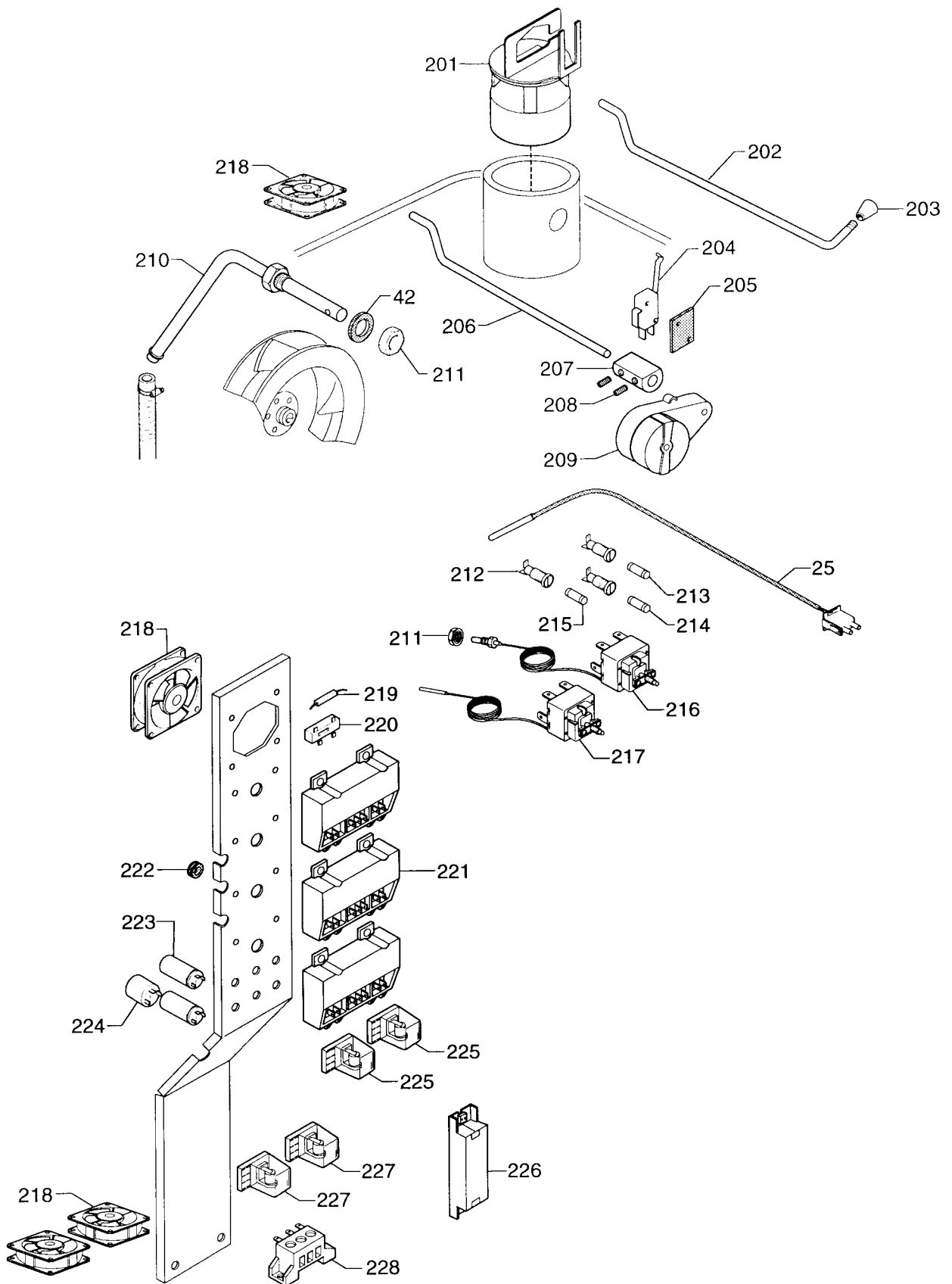
Doc. Nr.: **3 - 12 205 a**



20 GN1/1 GAS STEAM-CONVECTION OVEN
 FORNO CONVEZIONE-VAPORE GAS 20 GN1/1 5714-2



20 GN2/1 GAS STEAM-CONVECTION OVEN 5717-2
 FORNO CONVEZIONE-VAPORE GAS 20 GN2/1



20 GN1/1 AND 20 GN2/1 GAS STEAM-CONVECTION OVEN
 FORNO CONVEZIONE-VAPORE GAS 20 GN1/1 E 20 GN2/1

5714-2 / 5717-2

