

**Omnia Service**

Via Cesare Battisti, 12  
31015 Conegliano (TV) - Italy  
Fax: 0438-450202

CATALOGO PARTI DI RICAMBIO  
SPARE PARTS CATALOGUE

**FORNO CONVEZIONE - VAPORE GAS 20 GN1/1 E 20 GN2/1  
20 GN1/1 AND 20GN 2/1 GAS STEAM - CONVECTION OVEN**

PNC	Model	Ref.	Page	Type	
260 220	5714 - 2 - 6	a	1 - 5		air o steam FCV/G 20 1/1
260 260	5714 - 2 - 6L	a	1 - 5	(L.P.G.)	
260 221	5714 - 2 - 7	b	1 - 5		
260 261	5714 - 2 - 7L	b	1 - 5	(L.P.G.)	
260 222	5714 - 2 - 8	c	1 - 5		
260 262	5714 - 2 - 8L	c	1 - 5	(L.P.G.)	
260 223	5714 - 2 - 10	d	1 - 5		
260 263	5714 - 2 - 10L	d	1 - 5	(L.P.G.)	
260 230	5717 - 2 - 6	e	1 - 5		air o steam FCV/G 20 2/1
260 270	5717 - 2 - 6L	e	1 - 5	(L.P.G.)	
260 231	5717 - 2 - 7	f	1 - 5		
260 271	5717 - 2 - 7L	f	1 - 5	(L.P.G.)	
260 232	5717 - 2 - 8	g	1 - 5		
260 272	5717 - 2 - 8L	g	1 - 5	(L.P.G.)	
260 233	5717 - 2 - 10	h	1 - 5		
260 273	5717 - 2 - 10L	h	1 - 5	(L.P.G.)	

**Indice**

Pag. 1 Cella forno  
2 Porta forno  
3 Componenti gas  
4 Boiler e componenti  
5 Componenti elettrici  
6-11 Lista ricambi

**Index**

Oven cabinet  
Oven door  
Gas components  
Boiler and components  
Electrical components  
Spare parts list

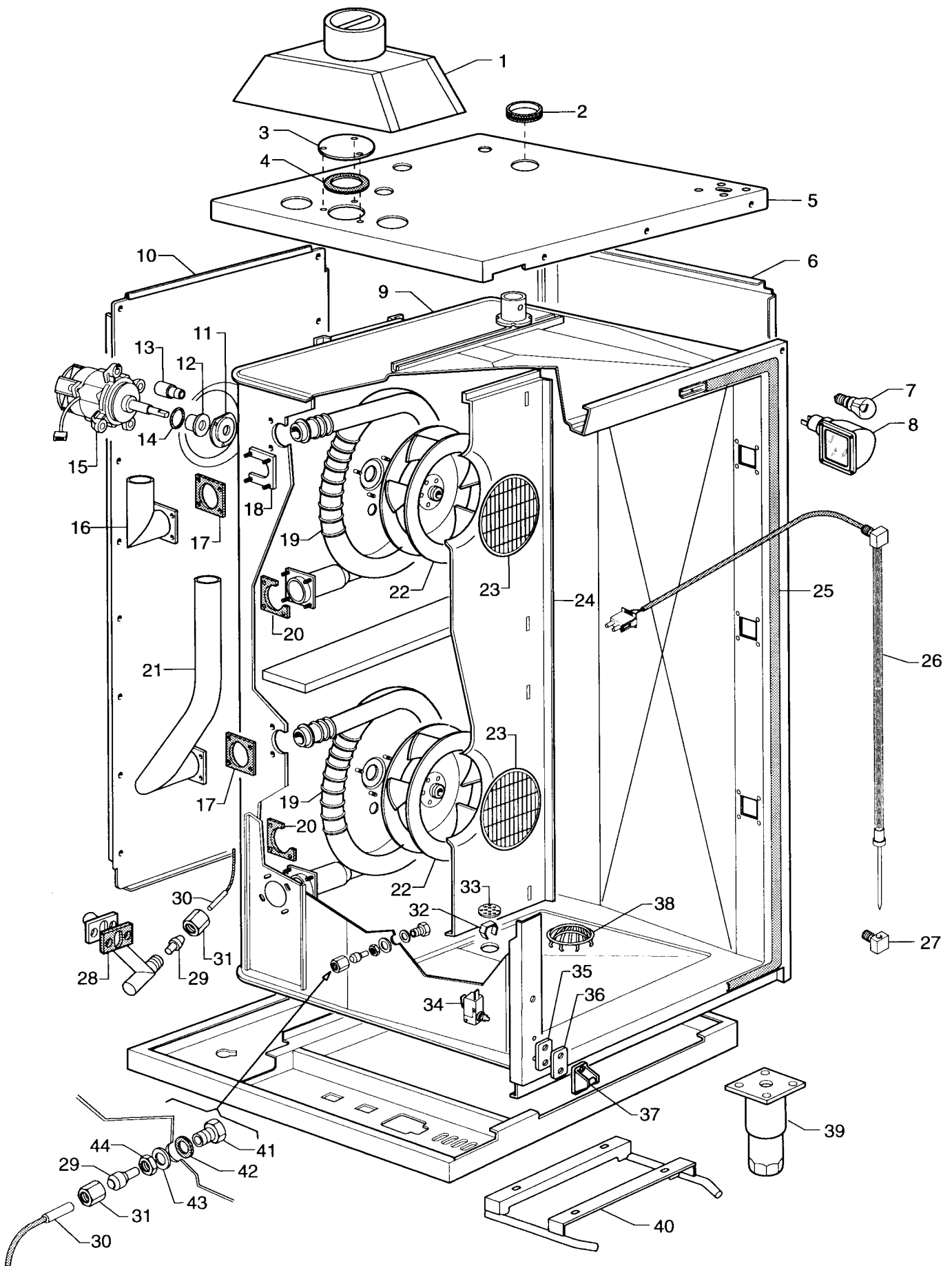
**Marchio / Brand:** J  
**Paese / Country:** Tutti / All  
**Factory code:** 9731

Da Ser. Nr. / From ser. nr.: 835.....

Ed. 0003

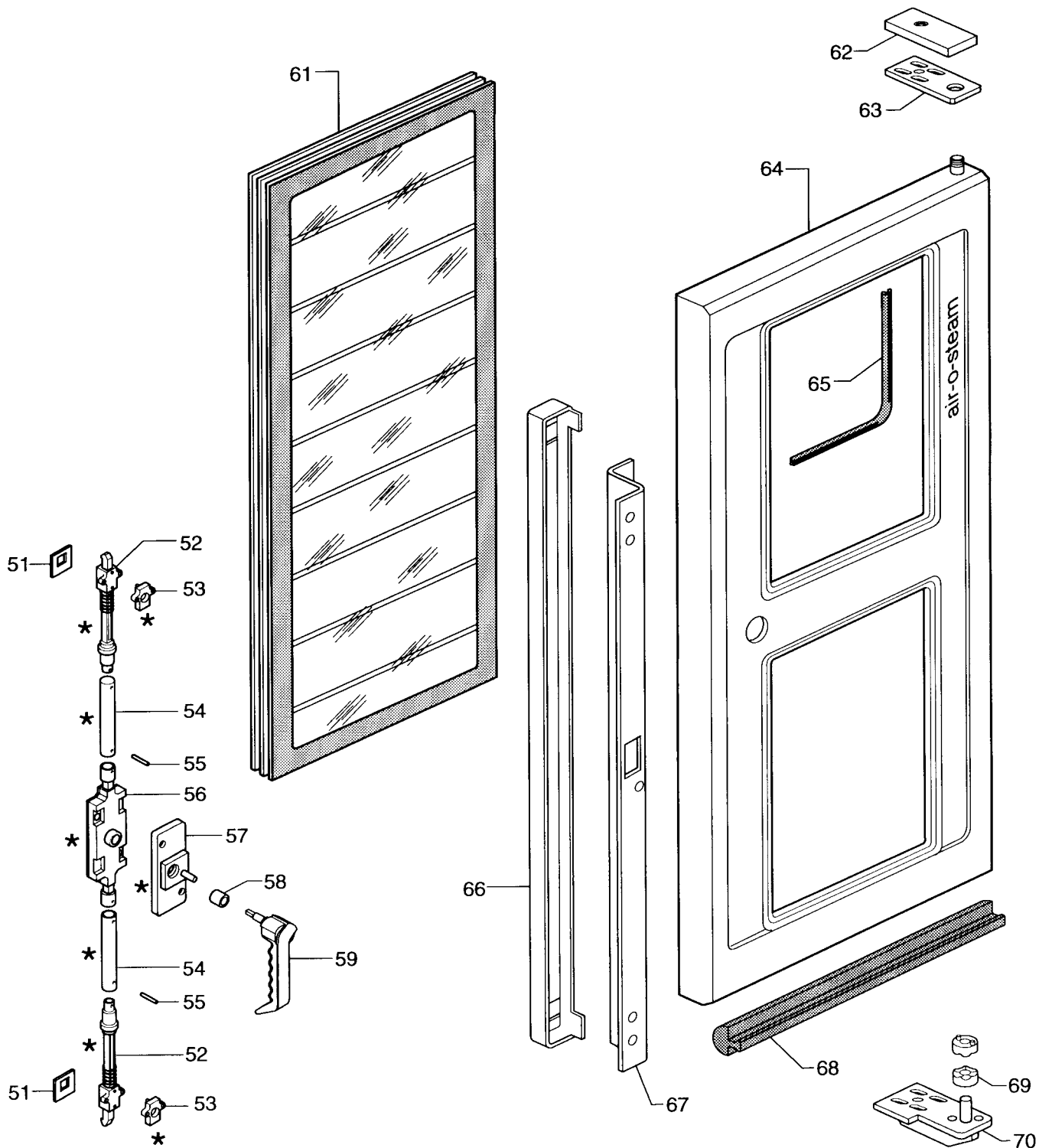
Doc. Nr.:

**3 - 12 205**



FORNO CONVEZIONE-VAPORE GAS 20 GN1/1 E 20 GN2/1  
 20 GN1/1 AND 20 GN2/1 GAS STEAM-CONVECTION OVEN

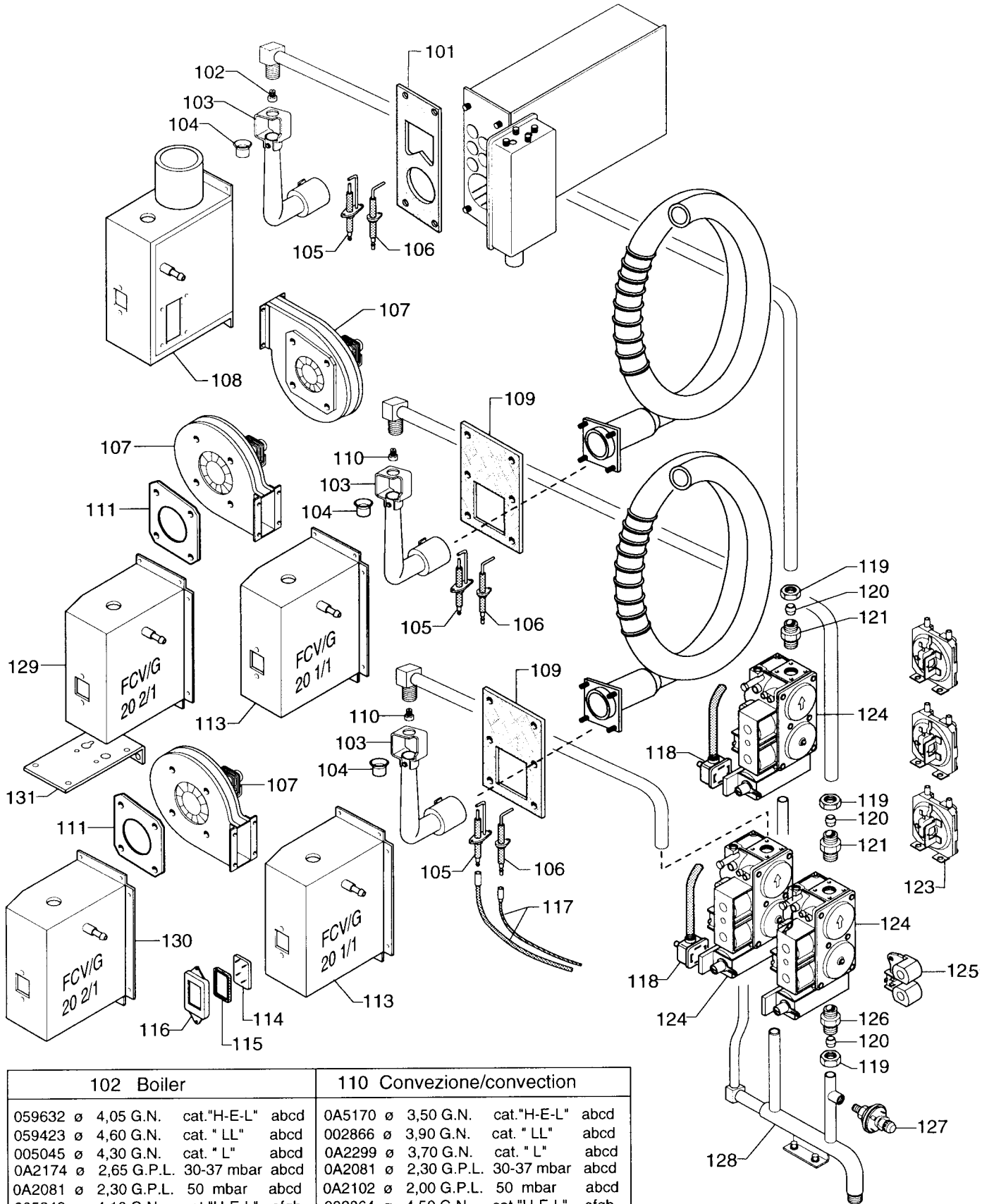
5714-2 / 5717-2



71 \* { LEVER HOOK LOCK ASSEMBLY  
 ASSIEME CHIUSURA

FORNO CONVEZIONE-VAPORE GAS 20 GN1/1 E 20 GN2/1  
 20 GN1/1 AND 20 GN2/1 GAS STEAM-CONVECTION OVEN

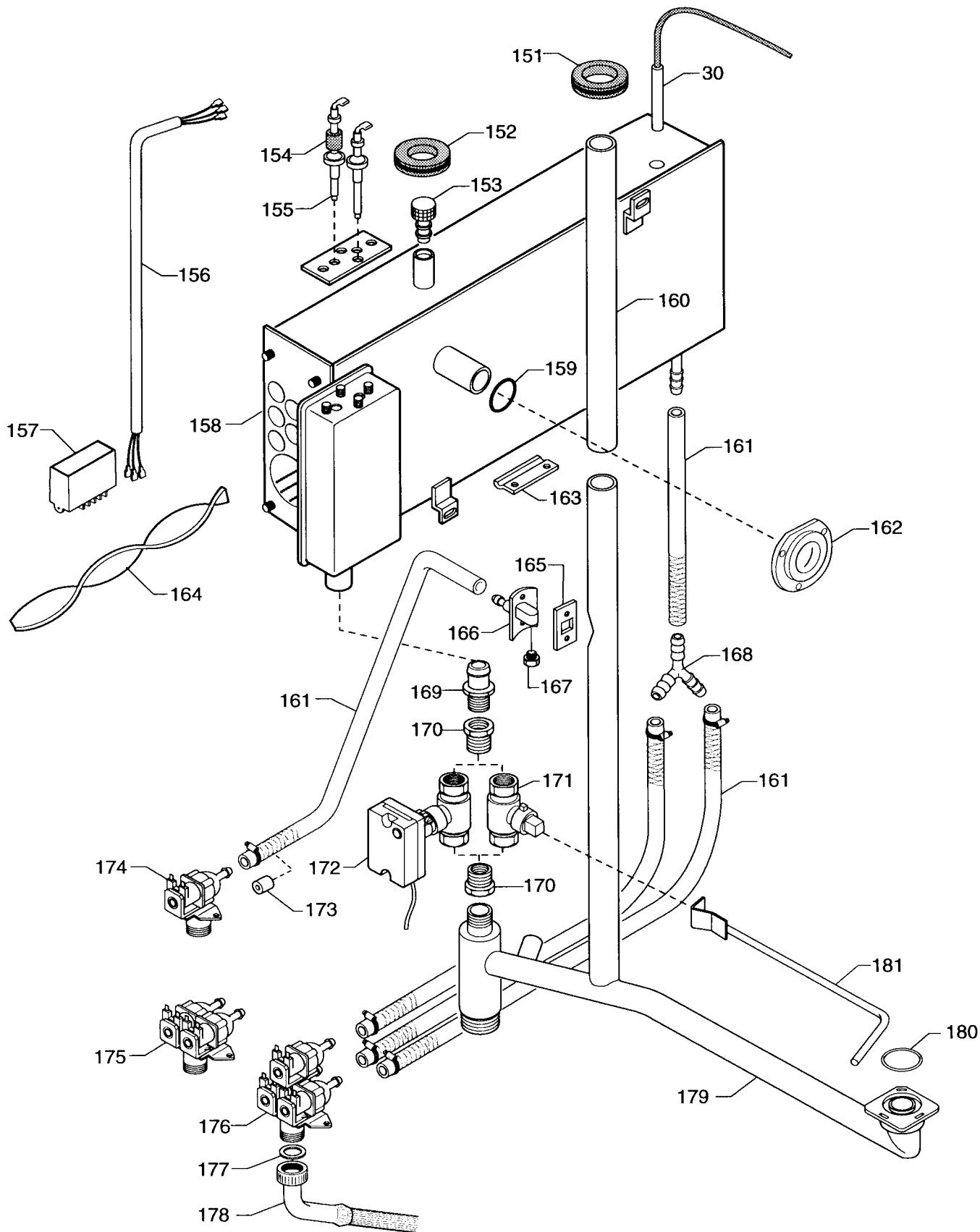
5714-2 / 5717-2



102 Boiler				110 Convezione/convection			
059632	ø 4,05 G.N.	cat."H-E-L"	abcd	0A5170	ø 3,50 G.N.	cat."H-E-L"	abcd
059423	ø 4,60 G.N.	cat. "LL"	abcd	002866	ø 3,90 G.N.	cat. "LL"	abcd
005045	ø 4,30 G.N.	cat. "L"	abcd	0A2299	ø 3,70 G.N.	cat. "L"	abcd
0A2174	ø 2,65 G.P.L.	30-37 mbar	abcd	0A2081	ø 2,30 G.P.L.	30-37 mbar	abcd
0A2081	ø 2,30 G.P.L.	50 mbar	abcd	0A2102	ø 2,00 G.P.L.	50 mbar	abcd
005243	ø 4,10 G.N.	cat."H-E-L"	efgh	002864	ø 4,50 G.N.	cat."H-E-L"	efgh
002864	ø 4,50 G.N.	cat. "LL"	efgh	0A2106	ø 5,00 G.N.	cat. "LL"	efgh
005243	ø 4,10 G.N.	cat. "L"	efgh	003951	ø 4,70 G.N.	cat. "L"	efgh
059382	ø 2,50 G.P.L.	30-37 mbar	efgh	059358	ø 2,85 G.P.L.	30-37 mbar	efgh
0A2083	ø 2,20 G.P.L.	50 mbar	efgh	0A2104	ø 2,40 G.P.L.	50 mbar	efgh

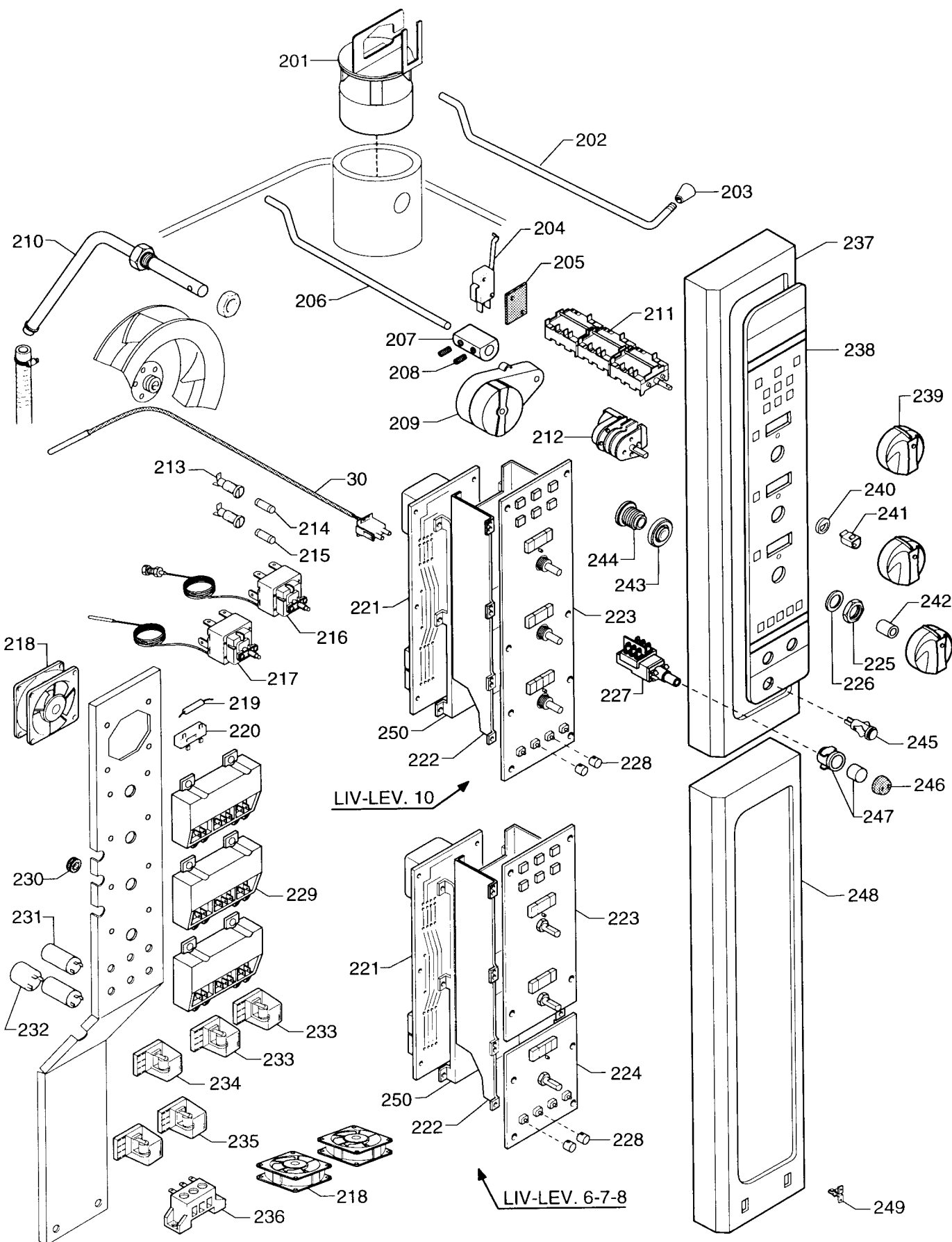
FORNO CONVEZIONE-VAPORE GAS 20 GN1/1 E 20 GN2/1  
20 GN1/1 AND 20 GN2/1 GAS STEAM-CONVECTION OVEN

5714-2 / 5717-2



FORNO CONVEZIONE-VAPORE GAS 20 GN1/1 E 20 GN2/1  
 20 GN1/1 AND 20 GN2/1 GAS STEAM-CONVECTION OVEN

5714-2 / 5717-2



LIV-LEV. 10

LIV-LEV. 6-7-8

FORNO CONVEZIONE-VAPORE GAS 20 GN1/1 E 20 GN2/1  
 20 GN1/1 AND 20 GN2/1 GAS STEAM-CONVECTION OVEN

5714-2 / 5717-2