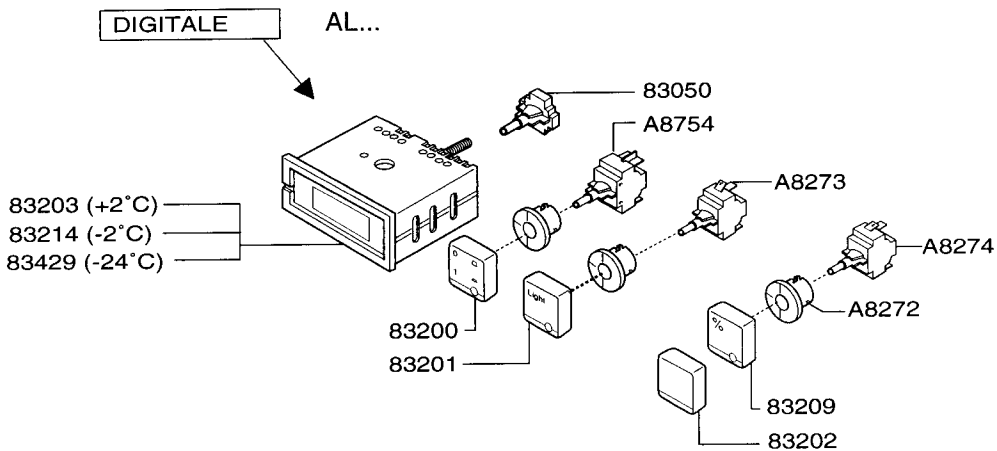
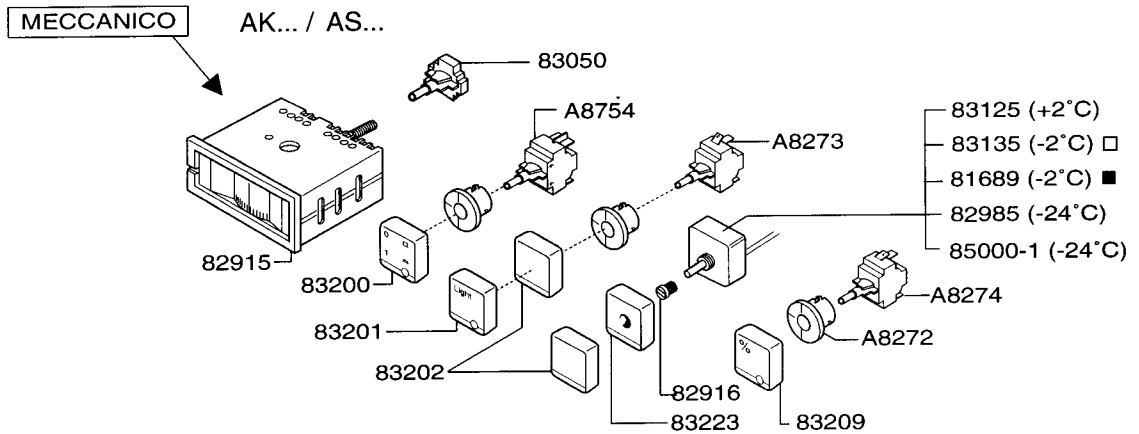
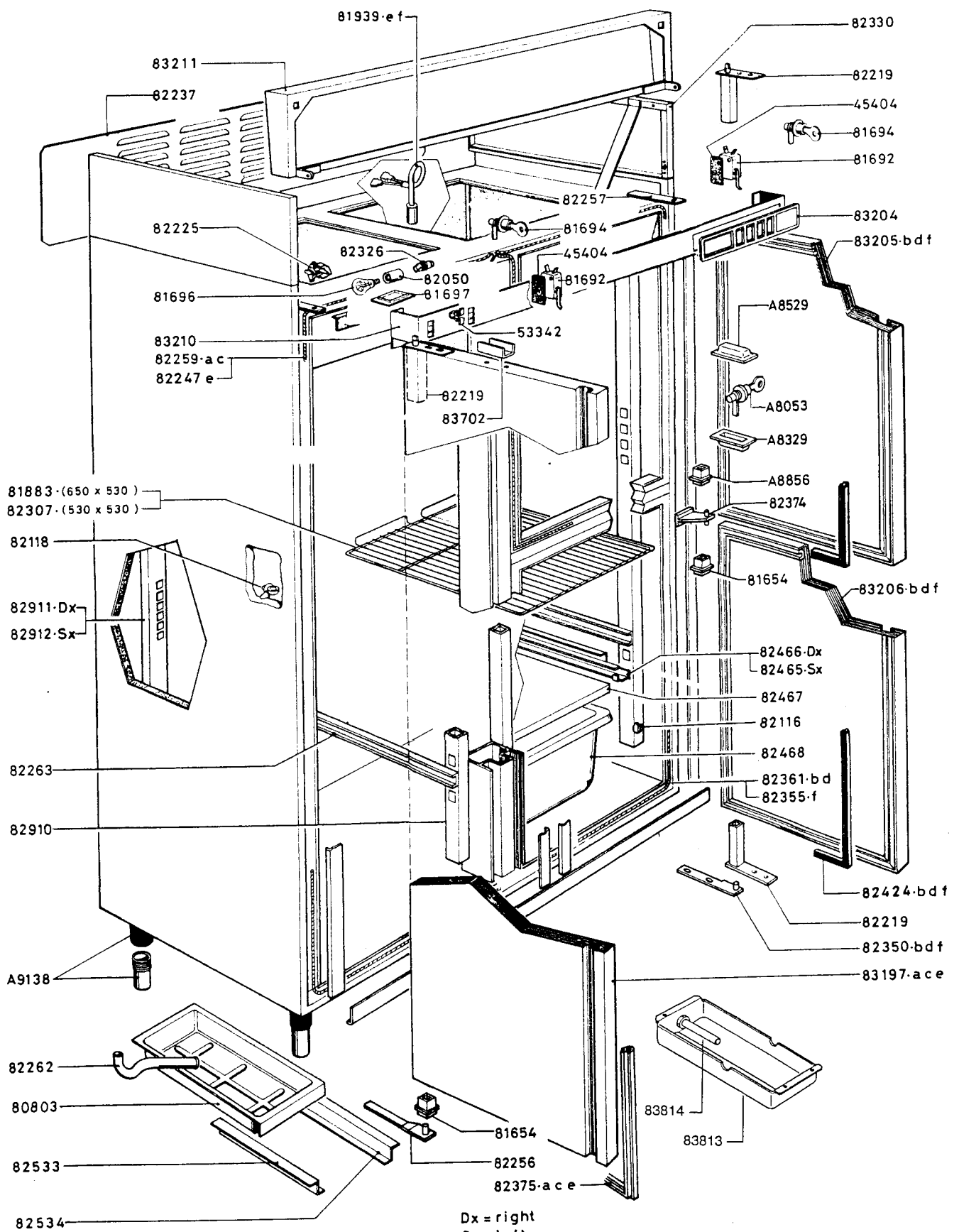


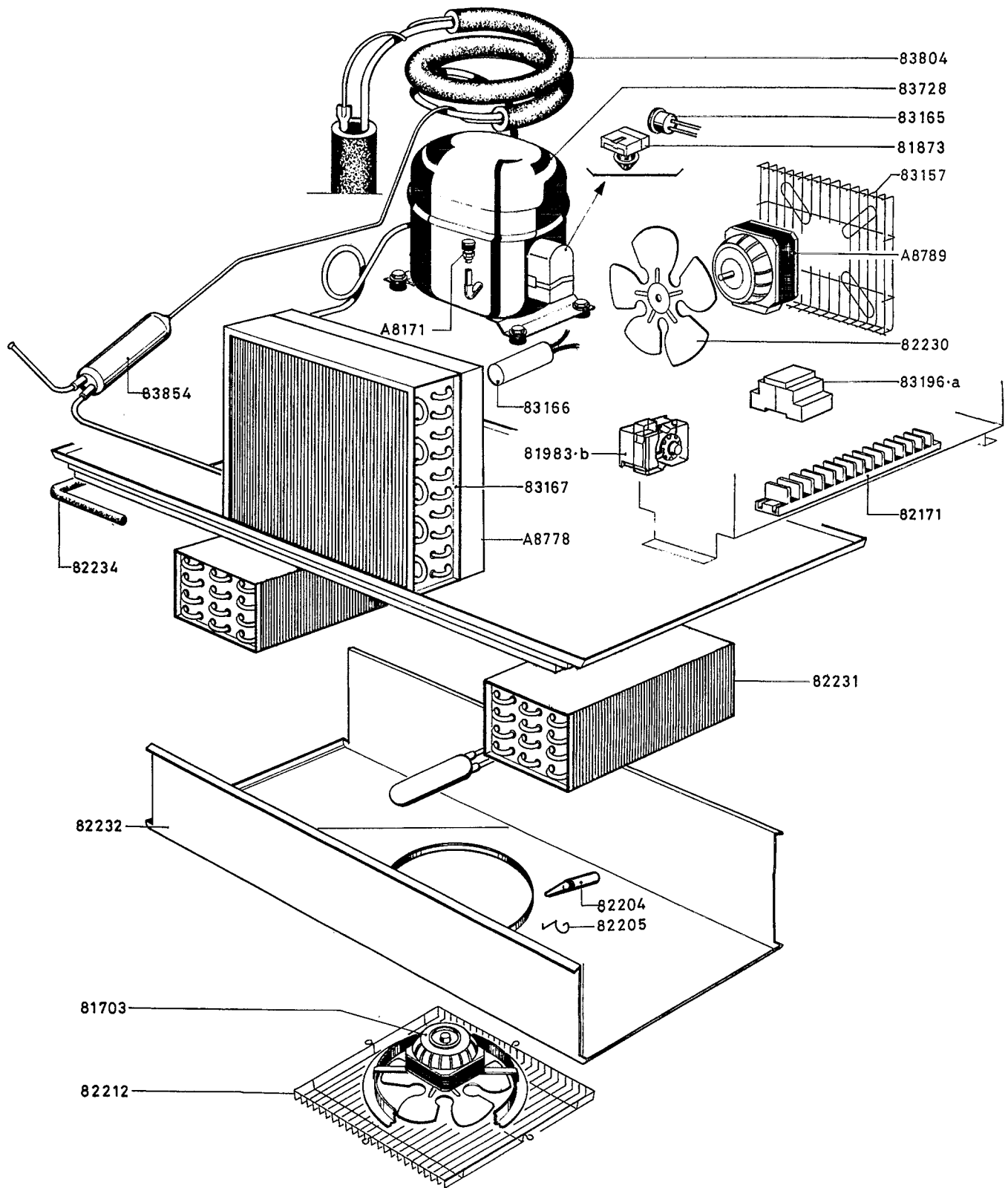
- Modelli con una porta piena (1M)  
One full door models
- Modelli con porta vetro e due porte piene (2M)  
Glass door models, and two full doors models



REFIGERATORS - CONTROL PANEL FRIGORIFERI - PANNELLO COMANDI				REF.	From serial Nr
				RIF.	Da matricola
LUX LINE	AL...			1	446...
KOMPACT LINE	AK...				645...
SLIM LINE	AS...				



LUXE LINE - FRIGORIFERI REFRIGERATORS - 1100/1300L.							Z	RIF. Da matricola REF. from serial N°
a	b	c	d	e	f	g	446...	
110 053	110 054	110 059	110 060	110 076	110 077	110 072		
ALP 220	ALP 240	ALN 220	ALN 240	ALF 220	ALF 240	ALF 220 UK		
							502.61-0	



Cooling unit assembly } 84053 a  
 Gruppo refrigerante } 83915 b

FREON R134 A

GRUPPO REFRIGERANTE +2° C — 1100/1300 l. COOLING UNIT						RIF. REF.	Da matricola from serial No
a		b					
110 053	110 054	111 004	111 005	111 007	112 015		446...
			111 122		112 027		
UK							
ALP 220	ALP 240	AKP 230	AKP 220	AKP 240	ASP 220		

Z 502.64-0