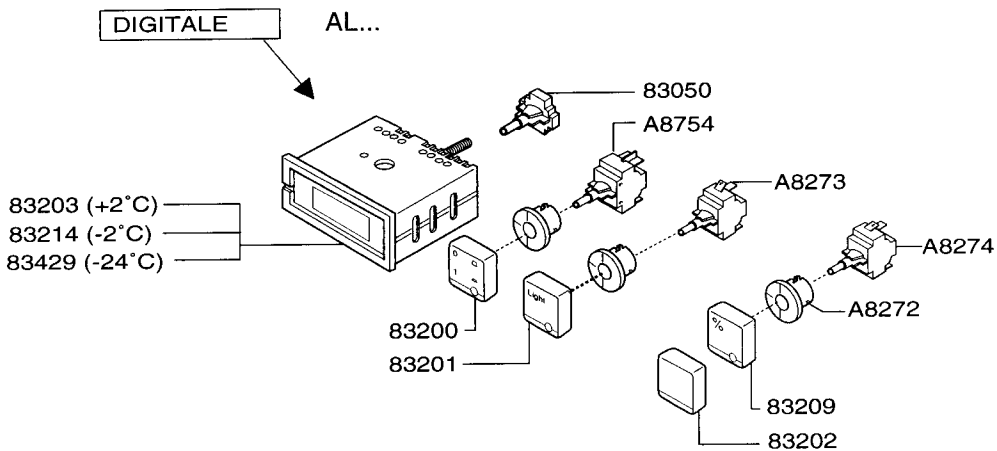
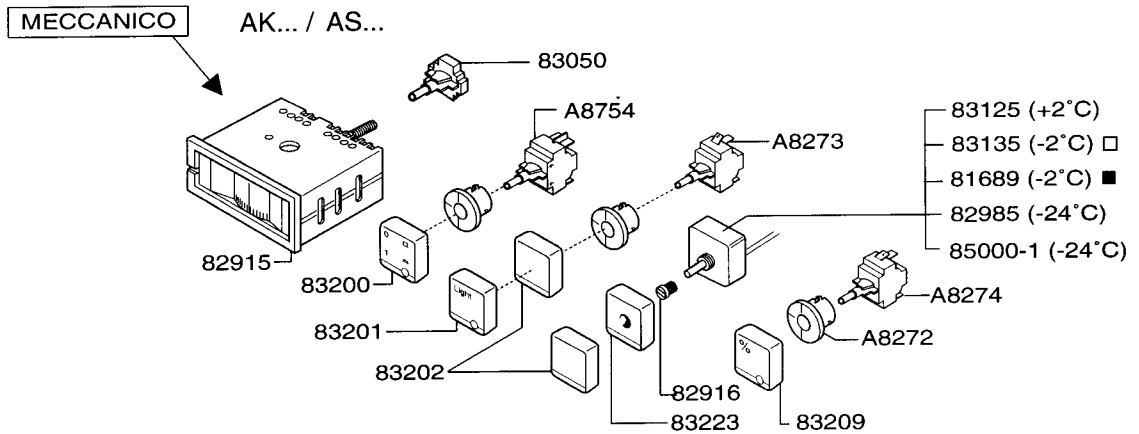
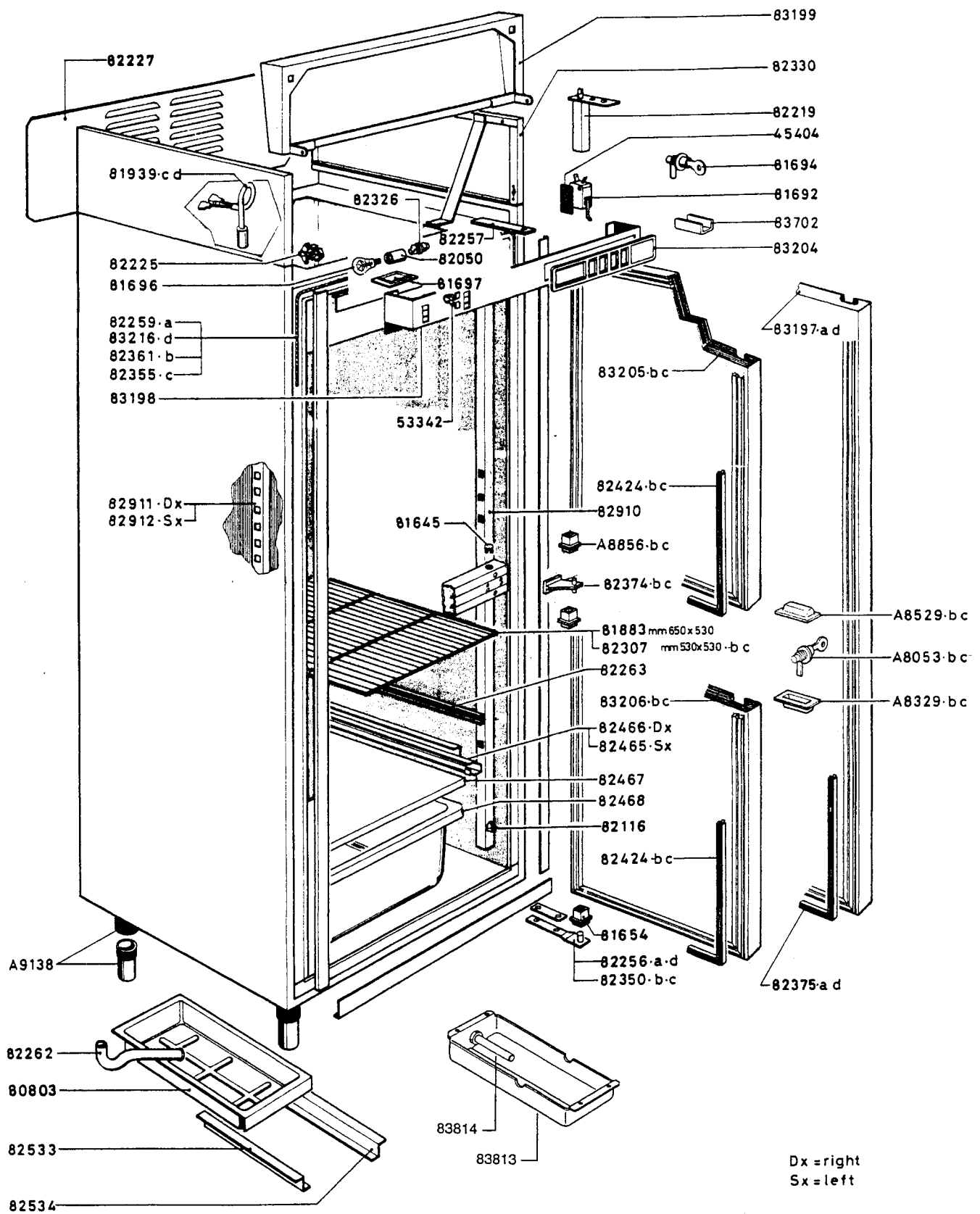


- Modelli con una porta piena (1M)
One full door models
- Modelli con porta vetro e due porte piene (2M)
Glass door models, and two full doors models

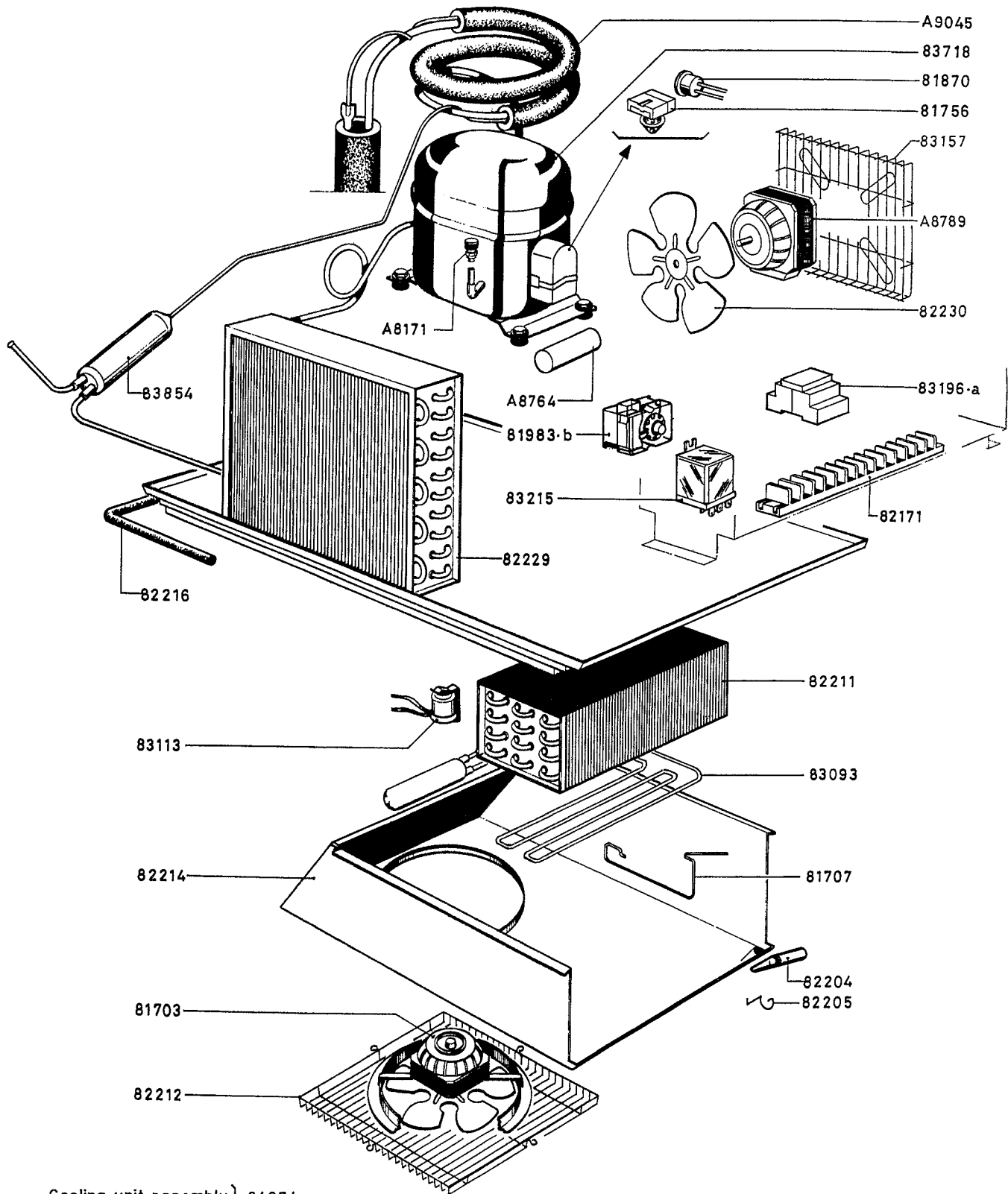


| REFIGERATORS - CONTROL PANEL FRIGORIFERI - PANNELLO COMANDI | | | | REF. | From serial Nr |
|--|-------|--|--|------|-------------------|
| | | | | RIF. | Da matricola |
| LUX LINE | AL... | | | 1 | 446... |
| KOMPACT LINE | AK... | | | | 645... |
| SLIM LINE | AS... | | | | |



| LUXE LINE - FRIGORIFERI 600 l. REFIGERATORS | | | | | | RIF. Da matricola REF. from serial N ^o |
|--|---------|---------|---------|---------|---------|---|
| | a | b | c | d | | 446 ... |
| | 110 050 | 110 056 | 110 051 | 110 057 | 110 075 | 110 074 |
| UK | 110 066 | 110 068 | | | | 110 071 |
| | ALP 110 | ALN 110 | ALP 120 | ALN 120 | ALF 120 | ALF 110 |

Z 502.41-0



Cooling unit assembly } 84054 a
 Gruppo refrigerante } 84192 b

FREON (R 134A)

| GRUPPO REFRIGERANTE COOLING UNIT | | | | | | | RIF. REF. | Da matricola from serial N° |
|-------------------------------------|---------|---------|---------|---------|------------|---------|--------------|-----------------------------------|
| a | | | b | | | | | |
| 110 056 | 110 057 | 110 063 | 111 009 | 111 010 | 111 017 | 112 019 | 446... | |
| 110 068 | 110 070 | 110 079 | 111 123 | | 111 127 | 112 028 | | |
| | 110 073 | | | | | | | |
| ALN..... | | | AKN 110 | AKN 120 | AKNN/F 220 | ASN 110 | | |