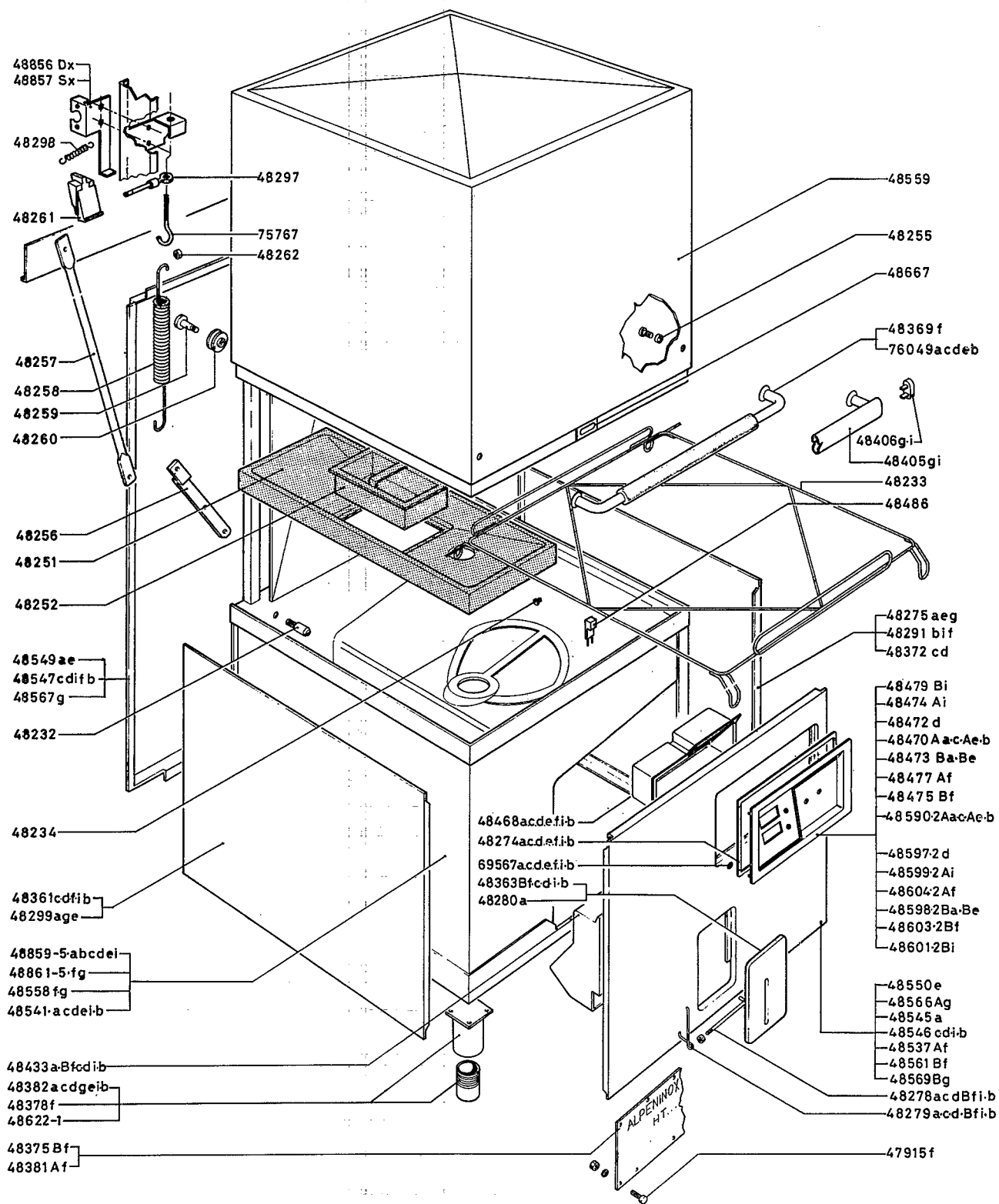


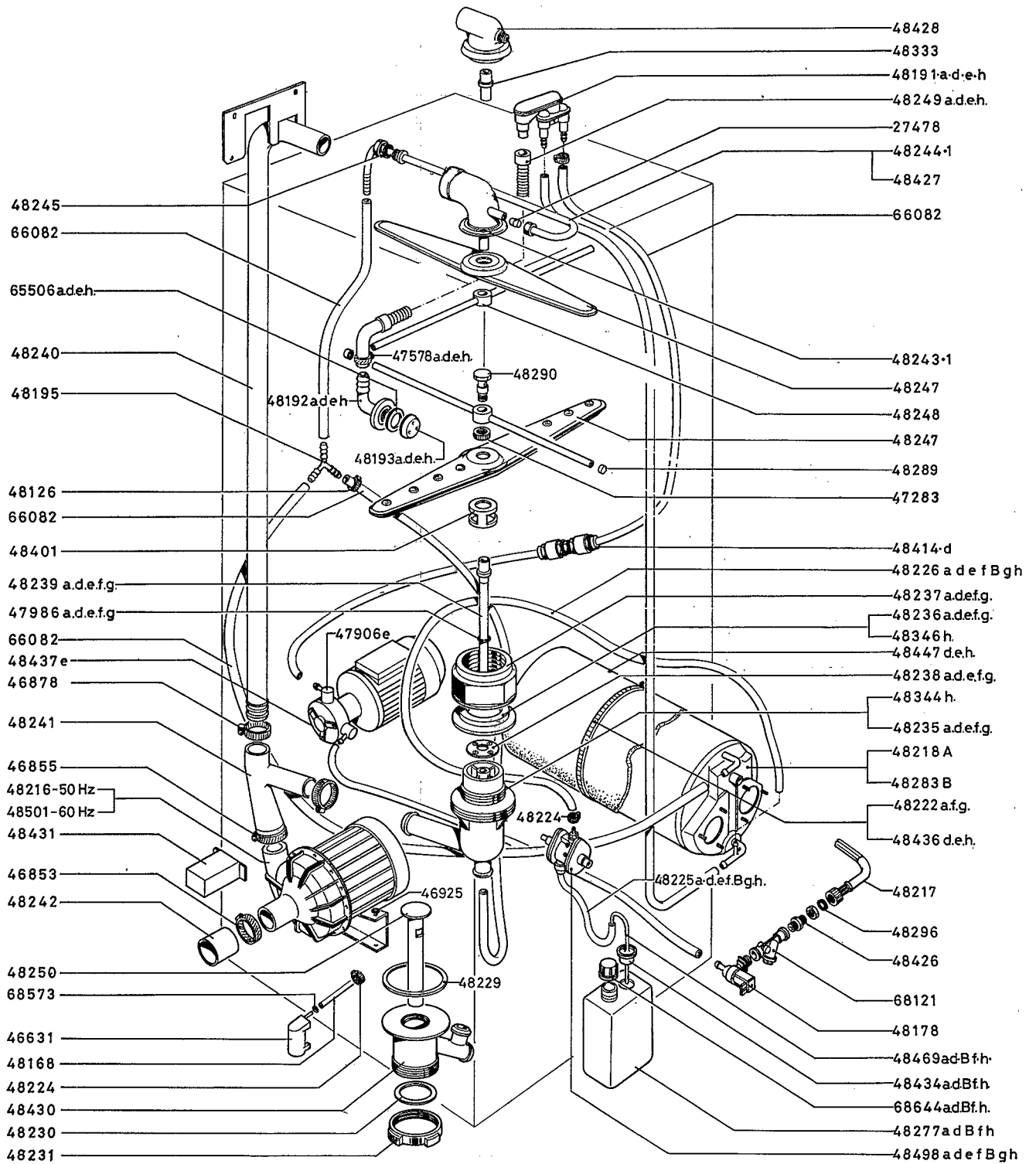
| LAVASTOVIGLIE DA 1000 E 1200 piatti/h DISHWASHERS UP TO 1000 AND 1200 dishes/hr | | | | | | | | RIF REF | Da matricola from serial N° |
|--|--------|--------|--------|---------|----------|---------|------------|-------------|-----------------------------------|
| | a | c | d | e | f | g | i | | |
| A | 504001 | 504008 | 504000 | 504003 | 504002 | 698021 | 727021 | 504 009 | 91 07 05 |
| | LS 10 | LS 10F | LS10D | LS 10PH | LS 10 UK | HT 1000 | HYDRA 1000 | LS10 DECKER | |
| B | 504021 | | | | 504022 | 698020 | 727020 | 504 029 | |
| | LS 12 | | | | LS12 UK | HT 1200 | HYDRA 1200 | LS12 DECKER | |

TCR 1778 ZA 611.01-0/611.020

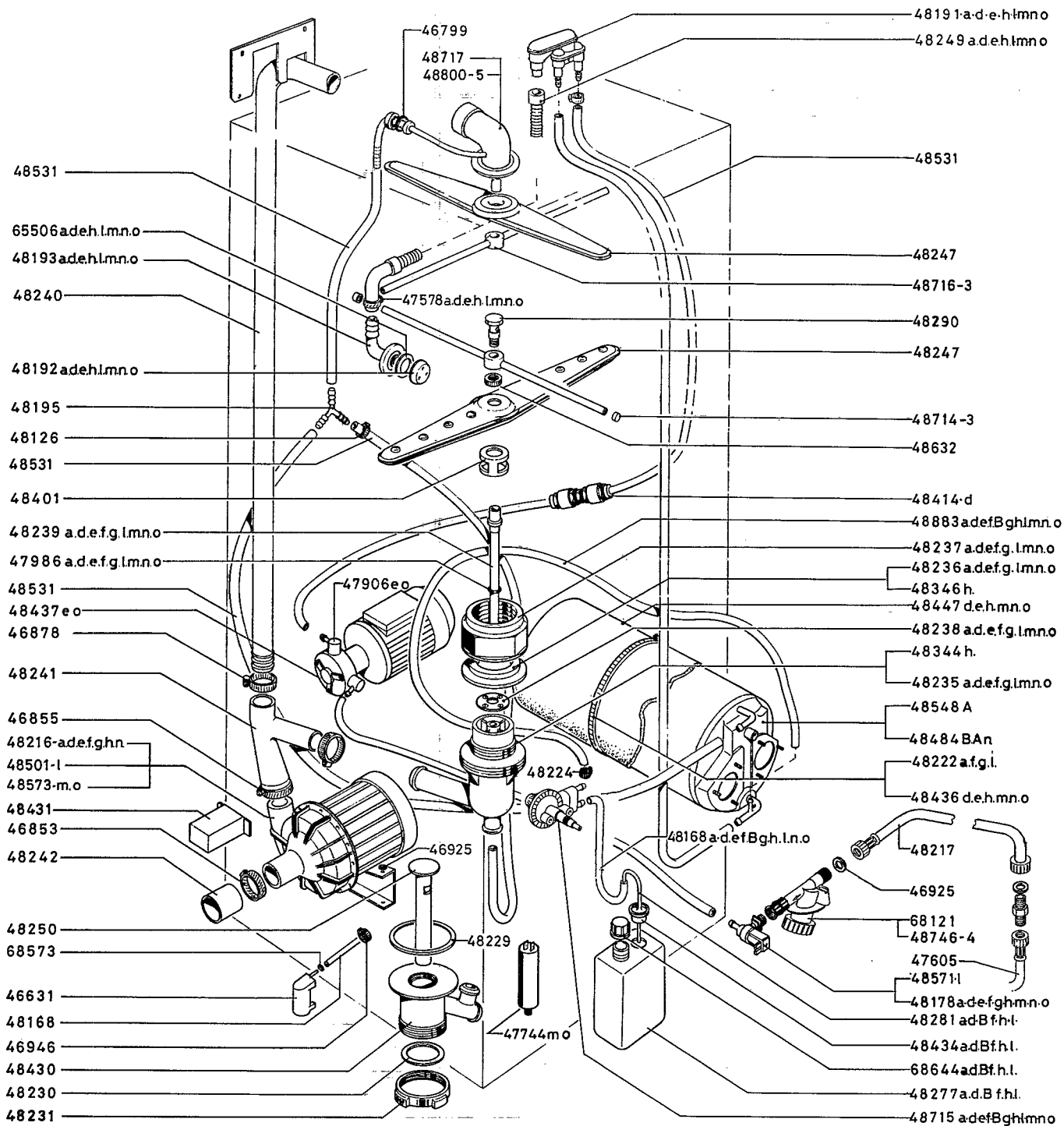


| LAVASTOVIGLIE DA 1000 E 1200 piatti/h DISHWASHERS UP TO 1000 AND 1200 dishes/hr | | | | | | | | | | RIF. Da matricola REF. From serial N° |
|--|---------|-----------|-------------|---------|---------|---------|---------|---------|------------|---|
| | a | | b | c | d | e | | | | |
| A | 504 005 | 504 001 | 504 007 | 504 000 | 504 008 | 504 003 | 504 006 | 504 002 | 504 010 | 242... |
| | LS10/60 | LS 10 | LS10/12 | LS10D | LS10F | LS10PH | LS10/1 | LS10UK | LS 10/1 UK | 1 248... |
| B | 504 025 | 504 021 | | | | | | 504 022 | | 2 305... |
| | LS12/60 | LS12 | | | | | | LS12UK | | 5 420... |
| | f | g | i | | | | | | | |
| A | 698 021 | 727 021 | 504 009 | | | | | | | |
| | HT 1000 | HYDRA1000 | LS10DECKER | | | | | | | |
| B | 698020 | 727020 | 504 029 | | | | | | | |
| | HT 1200 | HYDRA1200 | LS12 DECKER | | | | | | | |

Z/A 611-01-a

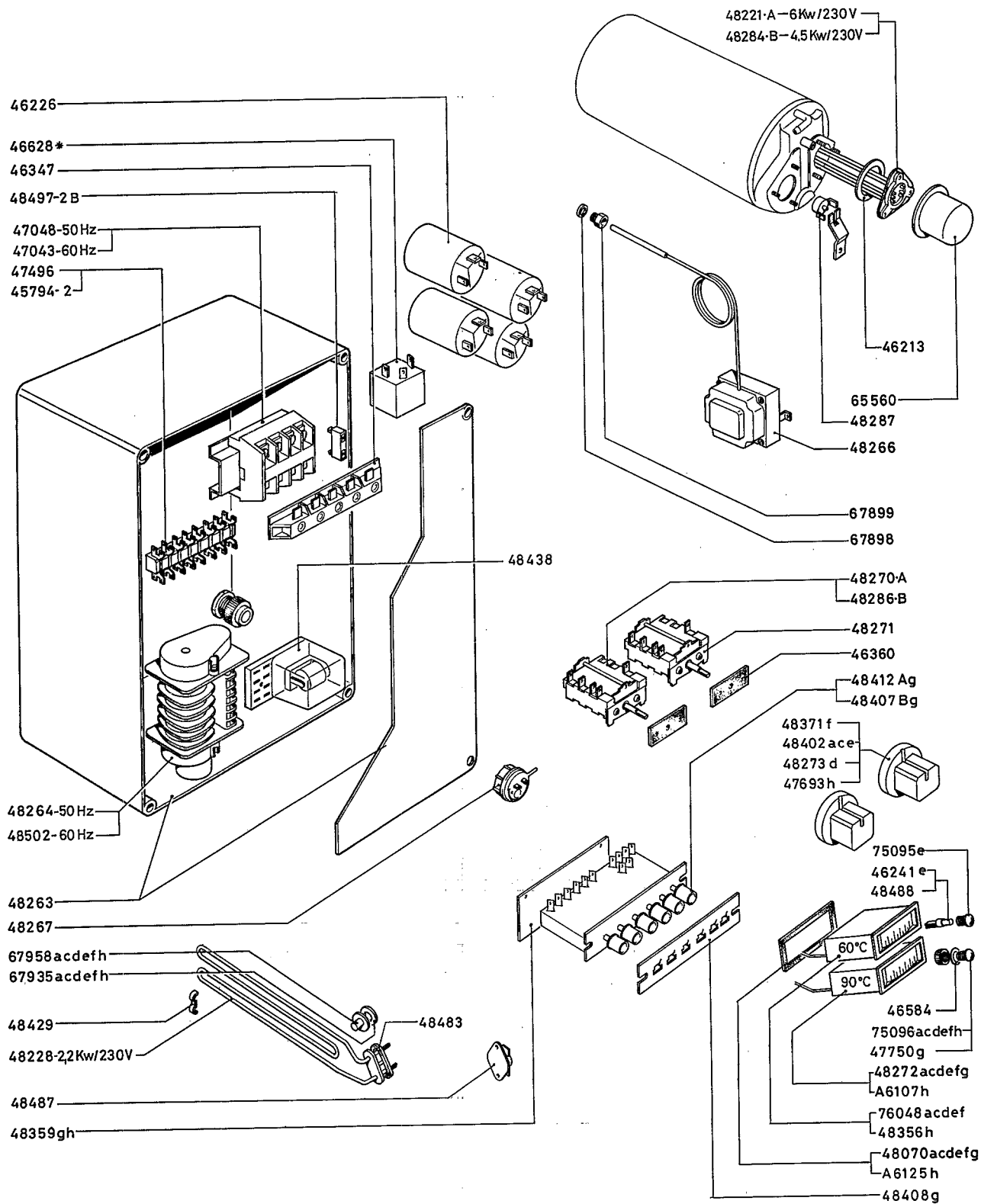


| LAVASTOVIGLIE DA 1000 E 1200 piatti/h DISHWASHERS UP TO 1000 AND 1200 dishes/hr | | | | | | | | | RIF REF | Da matricola From serial N° |
|--|--------|--------|--------|--------|--------|--------|-----------|--------|------------|-----------------------------------|
| | a | | d | e | f | g | h | | | |
| A | 504001 | 504000 | 504008 | 504003 | 504002 | 698021 | 727021 | 777410 | 1 | 91 07 05 |
| | LS10 | LS10D | LS10F | LS10PH | LS10UK | HT1000 | HYDRA1000 | Z100 | | 91 12 09 |
| B | 504021 | 504020 | 504028 | 504023 | 504022 | 698020 | 727020 | 777420 | | |
| | LS12 | LS12D | LS12F | LS12PH | LS12UK | HT1200 | HYDRA1200 | Z120 | | |



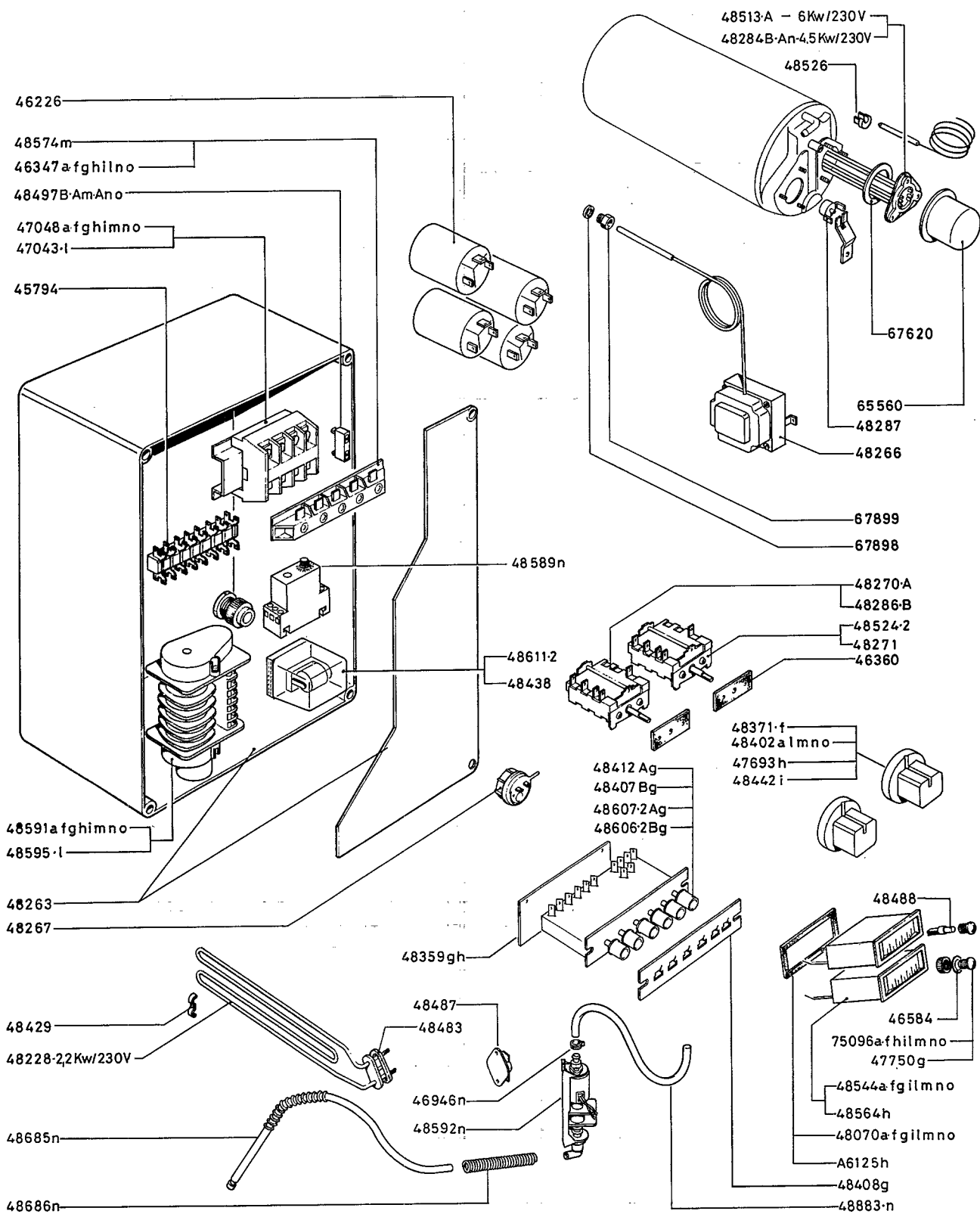
| LAVASTOVIGLIE DA 1000 E 1200 piatti/h DISHWASHERS UP TO 1000 AND 1200 dishes/hr | | | | | | | | | RIF REF | Da matricola From serial N° |
|--|---------|-------------|-------------|--------|----------|--------|--------|-----------|------------|-----------------------------------|
| | a | | | | d | e | f | g | | |
| A | 504001 | 504009 | 504000 | 504008 | 504003 | 504002 | 698021 | 727021 | 3 | 242... |
| | LS10 | LS10 DECKER | LS10D | LS10F | LS10PH | LS10UK | HT1000 | HYDRA1000 | | 4 |
| B | 504007 | 504021 | 504029 | 504020 | 504028 | 504023 | 504022 | 698020 | 5 | 405... |
| | LS10/12 | LS12 | LS12 DECKER | LS12D | LS12F | LS12PH | LS12UK | HT1200 | | HYDRA1200 |
| | h | i | m | n | o | | | | | |
| A | 777410 | 504005 | 504006 | 504011 | 504010 | | | | | |
| | Z100 | LS10/60 | LS10/1 | LS10S | LS10/1UK | | | | | |
| B | 777420 | 504025 | | | | | | | | |
| | Z120 | LS12/60 | | | | | | | | |

0 611-03-a



* Componente eliminato da matricola 920504 - From serial n° 920504, component suppressed

| LAVASTOVIGLIE DA 1000 E 1200 piatti/h DISHWASHERS UP TO 1000 AND 1200 dishes/hr | | | | | | | | RIF REF | Da matricola From serial N° | |
|--|--------|--------|--------|----------|----------|---------|-----------|------------|-----------------------------------|----------|
| | a | c | d | e | f | g | h | | | |
| A | 504001 | 504008 | 504000 | 504003 | 504002 | 698021 | 727021 | 777410 | 2 | 91 07 05 |
| | LS 10 | LS 10F | LS 10D | LS10PH | LS 10 UK | HT1000 | HYDRA1000 | Z 100 | | 92 05 04 |
| B | 504021 | 504028 | 504020 | 504023 | 504022 | 698020 | 727020 | 777420 | | |
| | LS 12 | LS 12F | LS12D | LS 12 PH | LS12 UK | HT 1200 | HYDRA1200 | Z 120 | | |
| | | | | | | | | 0 | 611.04-0 | |



LAVASTOVIGLIE DA 1000 E 1200 piatti/h
 DISHWASHERS UP TO 1000 AND 1200 dishes/hr

| | | | | | | | | | | RIF. Da matricola |
|---|-------------|------------|---------|---------|------------|----------|---------|------------|---------|-------------------|
| | | | | | | | | | | REF. From serial |
| | | | | | | | | | | Nº |
| | | | | | | | | | | 2 |
| A | 504 001 | 504 007 | 504 008 | 504 000 | 504 003 | 504 002 | 698021 | 727 021 | 777 410 | 242... |
| | LS 10 | LS10/12 | LS10/F | LS10/D | LS 10PH | LS 10 UK | HT 1000 | HYDRA 1000 | Z 100 | 305... |
| B | 504 021 | | 504 028 | 504 020 | 504 023 | 504 022 | 698 020 | 727 020 | 777 420 | |
| | LS12 | | LS12F | LS 12D | LS 12 PH | LS 12 UK | HT 1200 | HYDRA 1200 | Z 120 | |
| A | 504 009 | 504 005 | 504 006 | 504 011 | 504 010 | | | | | |
| | LS10 DECKER | LS 10/60 | LS 10/1 | LS 10 S | LS 10/1 UK | | | | | |
| B | 504 029 | 504 025 | | | | | | | | |
| | LS12 DECKER | LS 12 / 60 | | | | | | | | |

LAVASTOVIGLIE A CAPOTTINA da 1000 / 1200 piatti/h
HOOD TYPE DISHWASHER up to 1000 / 1200 dishes/h

LS 10 / LS 12

Capottina - Hood Type

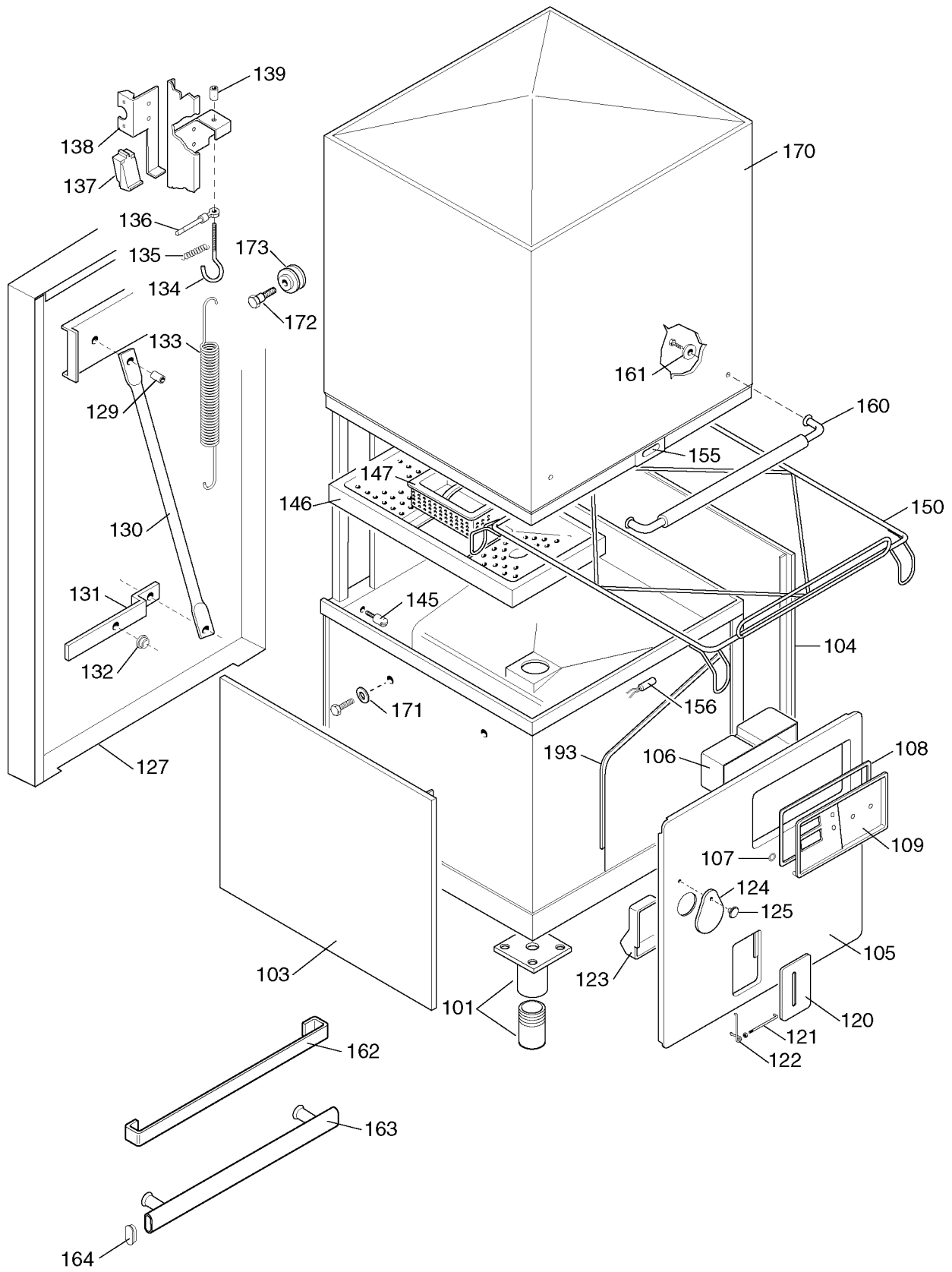
| Code | Type | Ref. | Page | Code | Type | Ref. | Page |
|--------|--------------|------|---------|--------|--------------|------|---------|
| 504000 | LS10D | a | 2 4 5 7 | 504020 | LS12D | u | 3 4 5 7 |
| 504001 | LS10 | b | 2 4 5 7 | 504021 | LS12 | v | 2 4 5 7 |
| 504002 | LS10UK/RP | c | 2 4 5 7 | 504022 | LS12UK/RP | w | 2 4 5 7 |
| 504003 | LC100 | d | 2 4 5 7 | 504023 | LC120 | x | 3 4 5 7 |
| 504004 | ECOTEMP12 | e | 3 4 5 7 | 504024 | LS12DP | y | 2 4 5 7 |
| 504005 | LS10/60HZ | f | 2 4 5 7 | 504025 | LS12/60HZ | z | 2 4 5 7 |
| 504006 | LS10/1 | g | 2 4 5 7 | 504028 | LS12F | A | 3 4 5 7 |
| 504007 | LS10/12KW | h | 2 4 5 7 | 504029 | LS12DEK | B | 2 4 5 7 |
| 504008 | LS10F | k | 2 4 5 7 | 504053 | LS12HD | C | 2 4 5 7 |
| 504009 | LS10DEK | l | 2 4 5 7 | 504061 | LS12UK/3Atmo | D | 2 4 6 7 |
| 504010 | LS10/1UKRP | m | 2 4 5 7 | 504063 | ECOTEMP12SW | E | 3 4 5 7 |
| 504011 | LS10SW | n | 3 4 5 7 | 504065 | ECOTEMP12INS | F | 3 4 5 7 |
| 504012 | LS10J/50HZE | o | 2 4 5 7 | 504078 | LS10Mex | N | 2 4 5 7 |
| 504013 | LS10J/60HZE | p | 2 4 5 7 | 504080 | LS10N | G | 2 4 5 7 |
| 504014 | LS10DP | q | 2 4 5 7 | 698020 | HT1200 | H | 2 4 5 7 |
| 504015 | LS10HD | r | 2 4 5 7 | 698021 | HT1000 | K | 2 4 5 7 |
| 504018 | LS10UK/1Atmo | s | 2 4 6 7 | 727020 | HYDRA1200 | L | 2 4 5 7 |
| 504019 | LS10UK/3Atmo | t | 2 4 6 7 | 727021 | HYDRA1000 | M | 2 4 5 7 |

| Pag. | Indice |
|------|---------------------------------|
| 2 | Vista generale |
| 3 | Vista generale |
| 4 | Componenti idraulici |
| 5 | Circuito idraulico |
| 6 | Circuito idraulico, atmosferico |
| 7 | Componenti elettrici |
| 8-15 | Lista ricambi |

| Index |
|--------------------------------|
| Main view |
| Main view |
| Hydraulic components |
| Hydraulic circuit |
| Hydraulic circuit, atmospheric |
| Electrical components |
| Spare parts list |

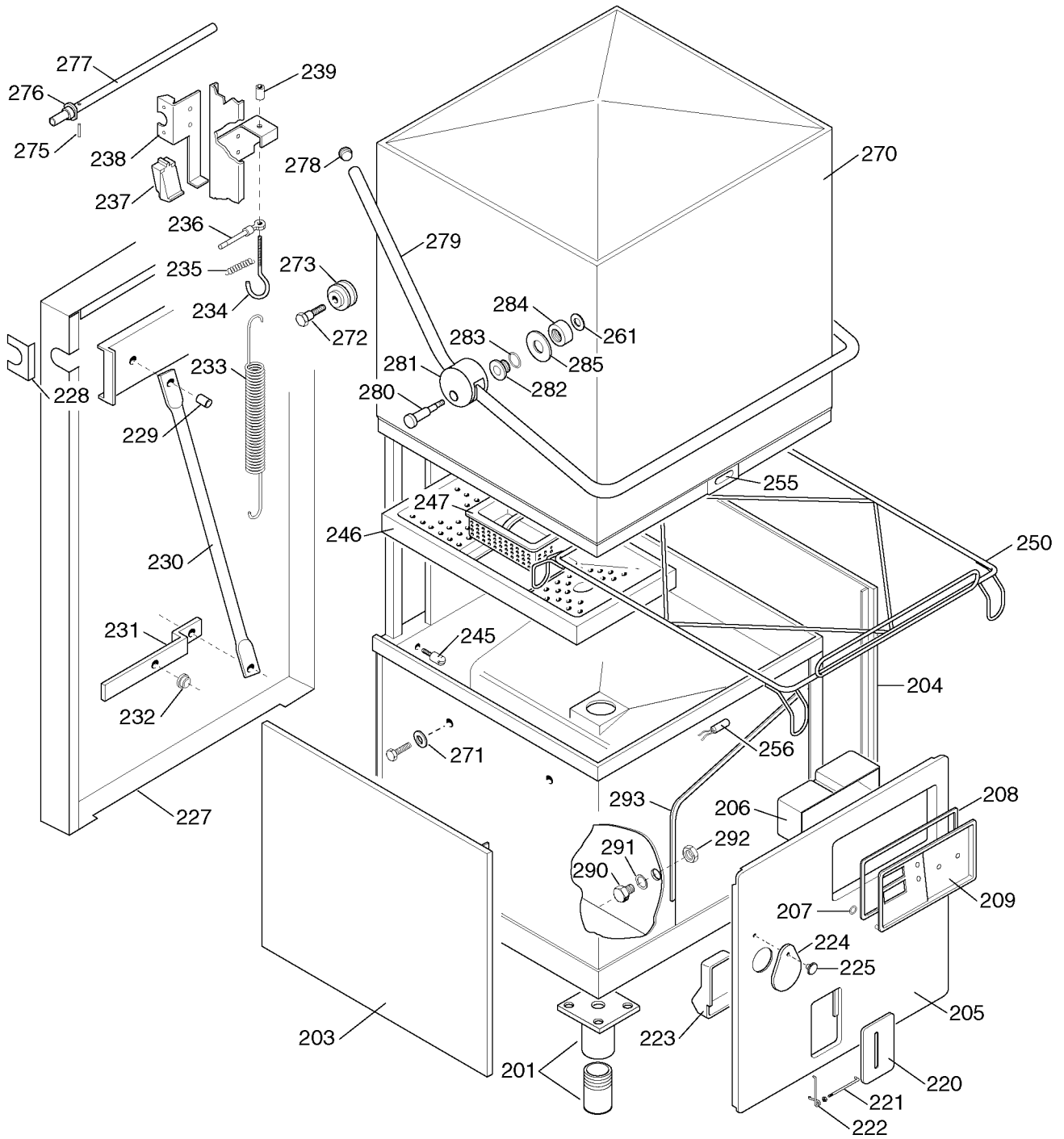
OS/Doc - LS_10_Zan \ 641001.prm6

Marchio / Brand: Z - A - N - Dek - Wh - Eco
Paese / Country: Tutti / All

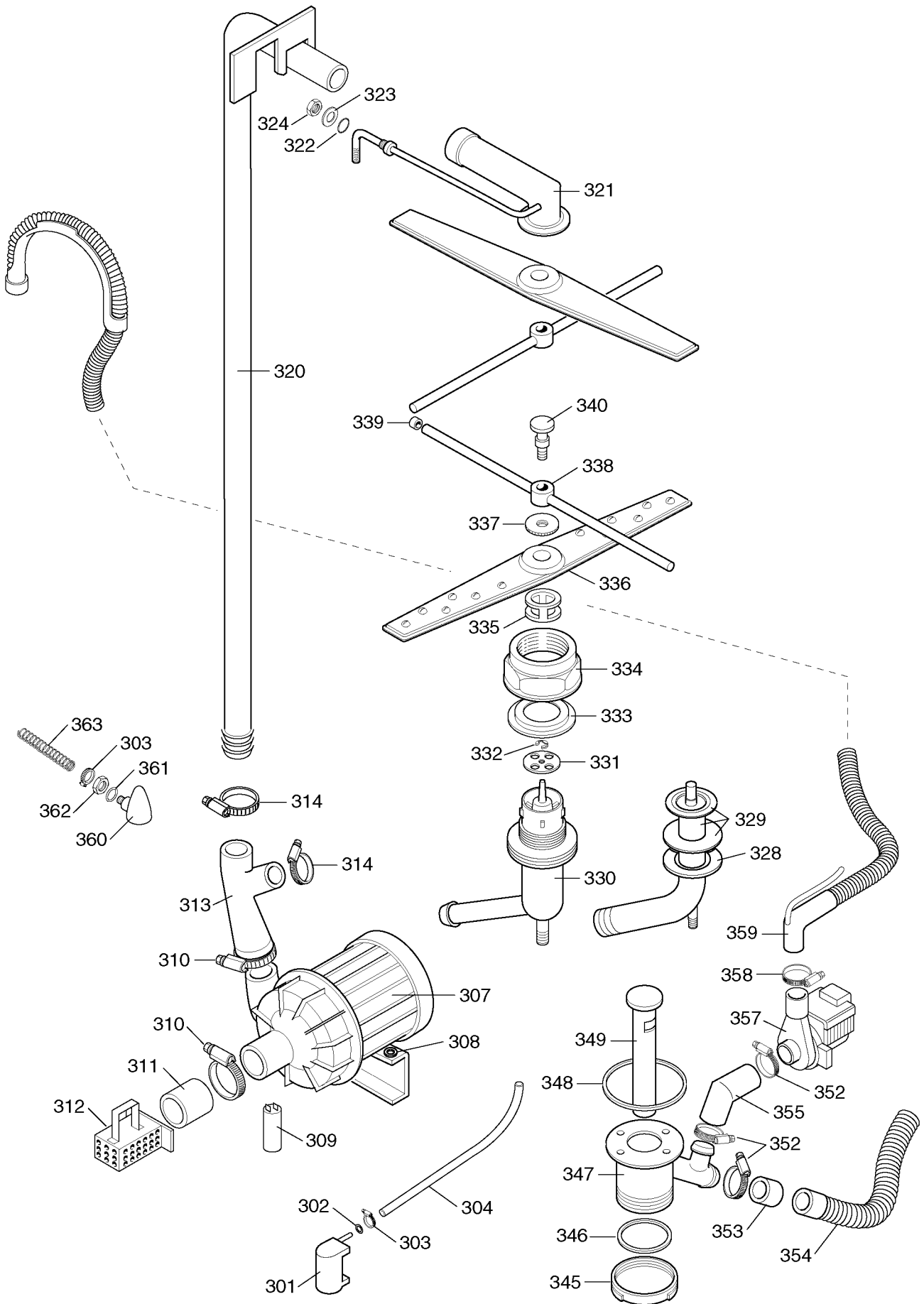


ill. 641001_p1

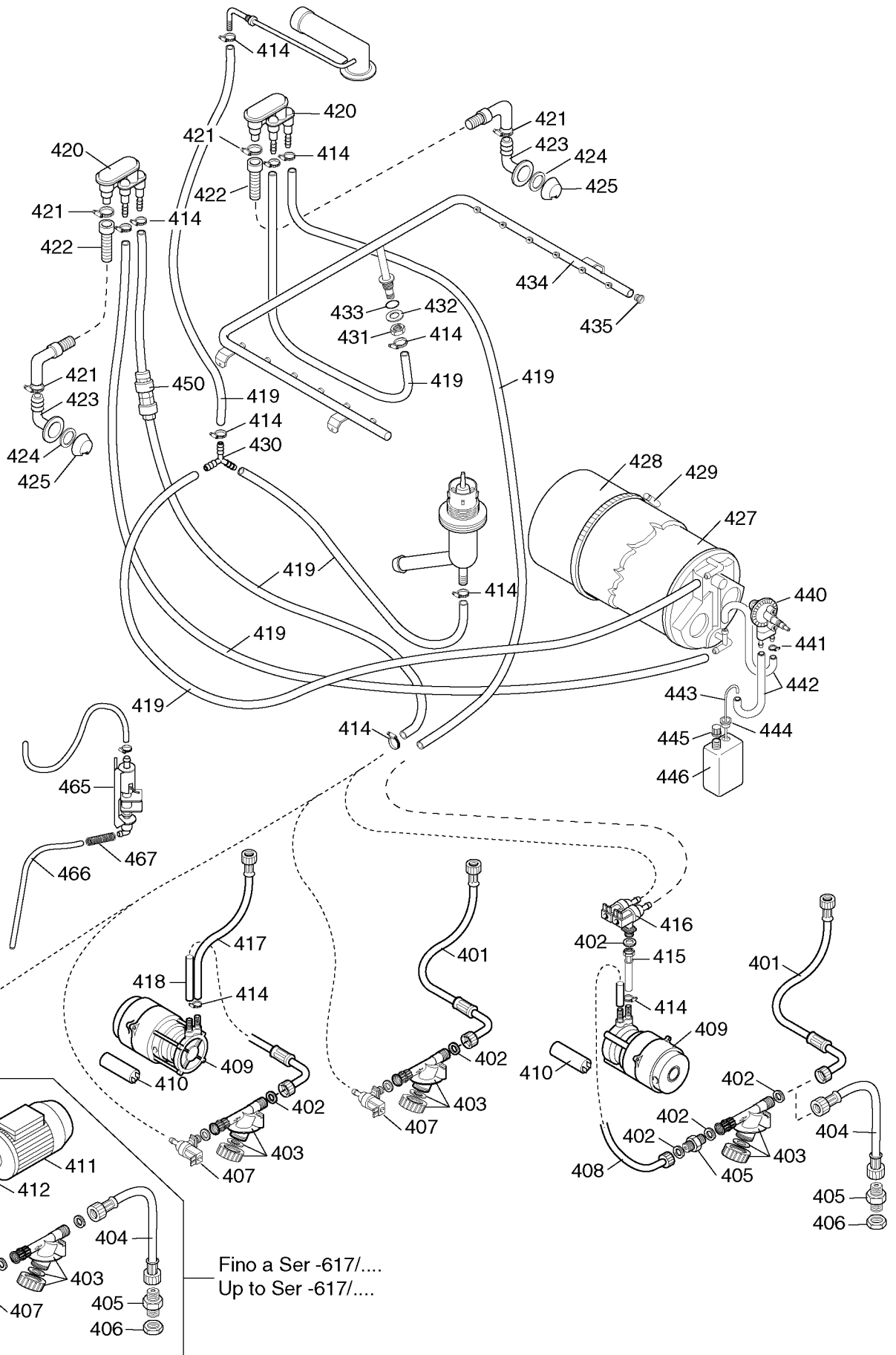
OS/Doc - LS_10_Zan \ 641001.prm6



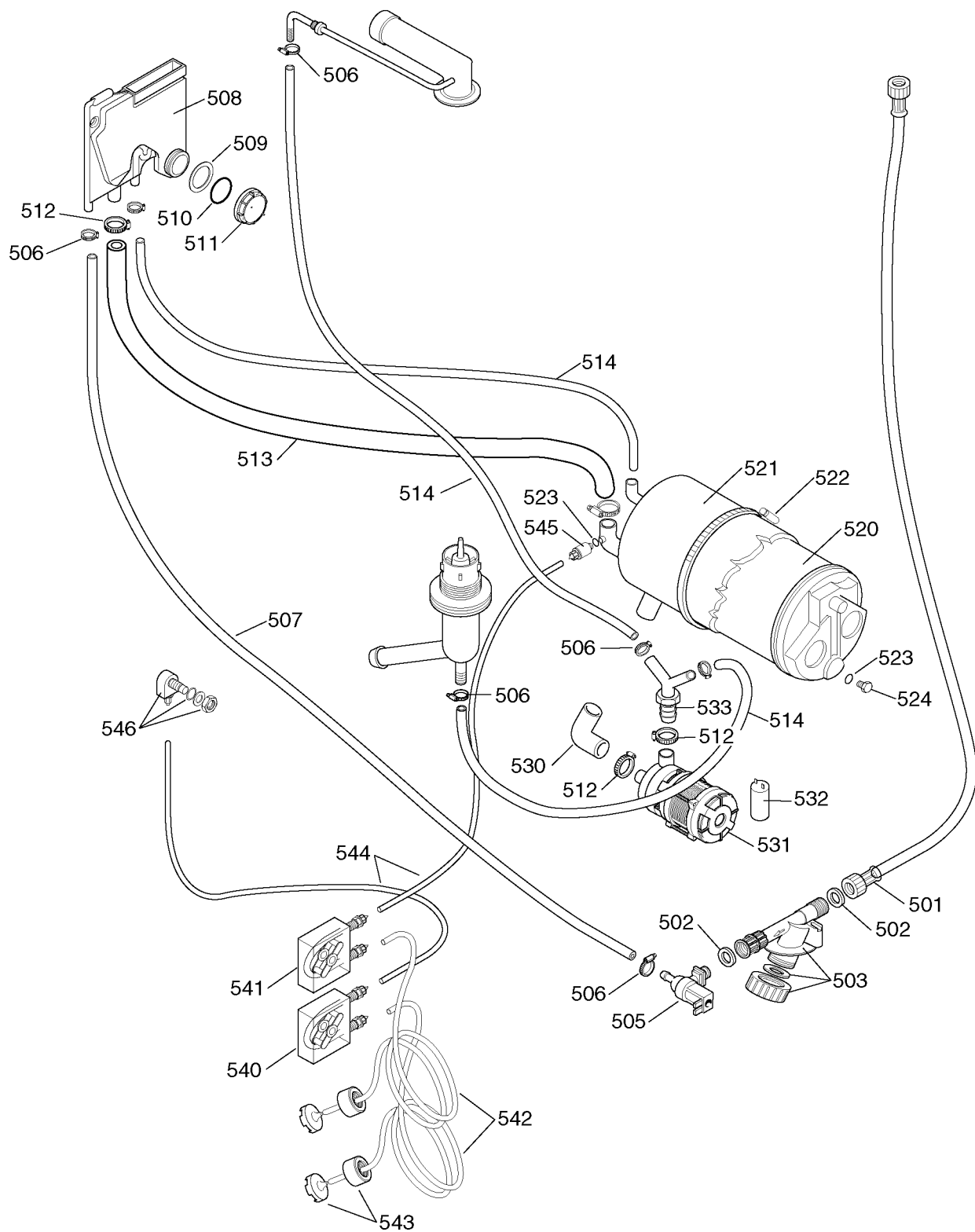
ill. 641001_p2



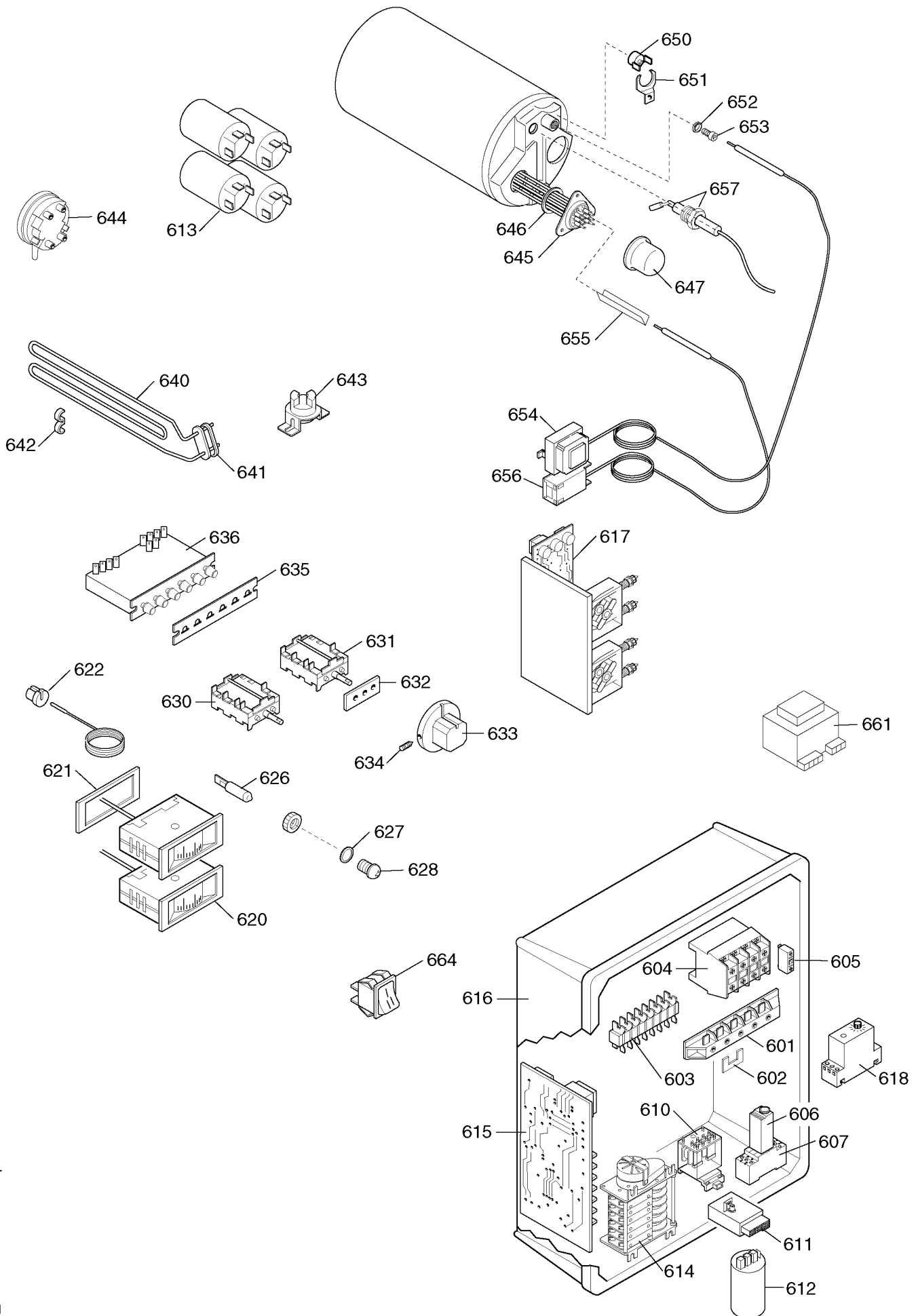
ill. 641001_p3



ill. 641001_p4



ill. 641001_p5



ill. 641001_p6