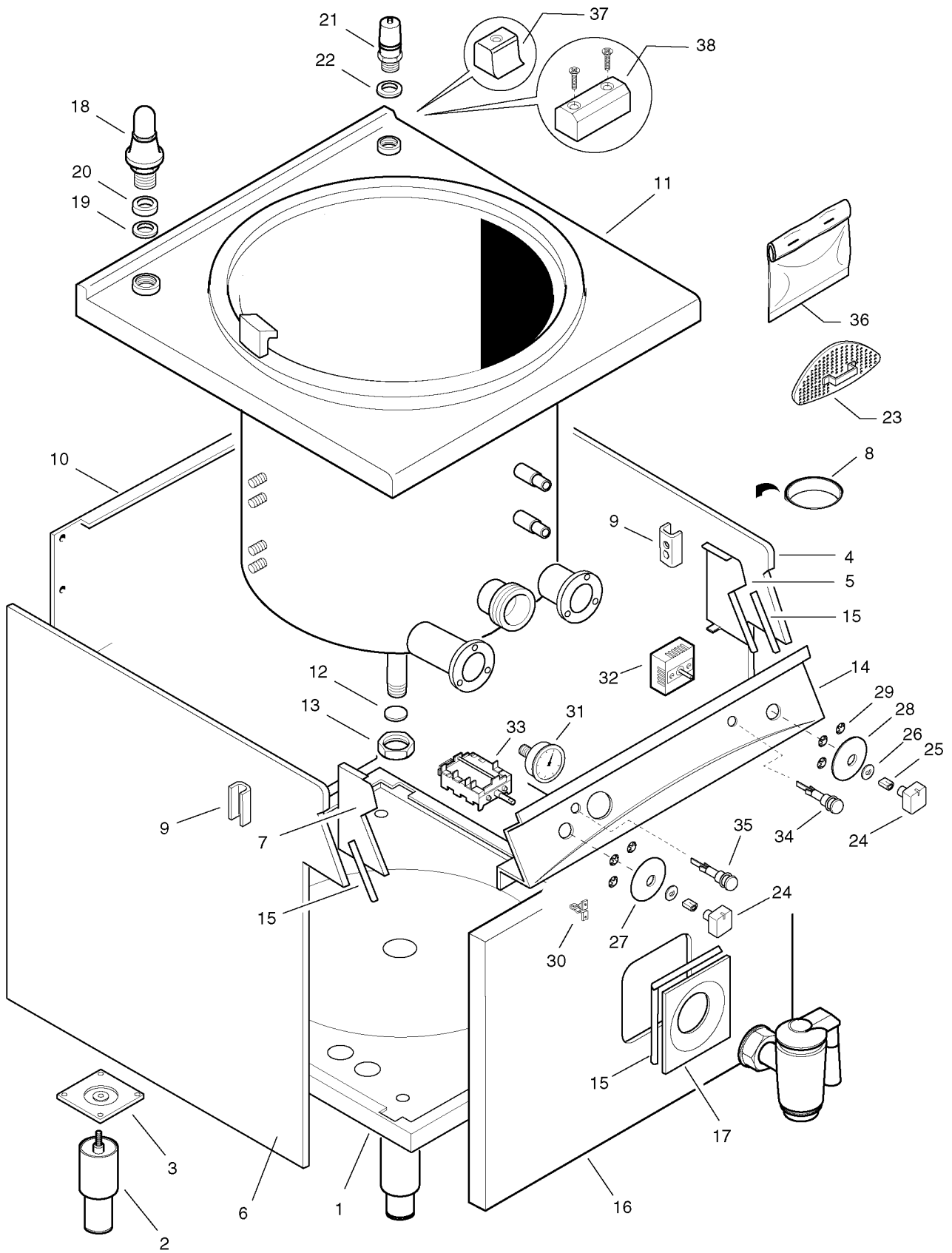


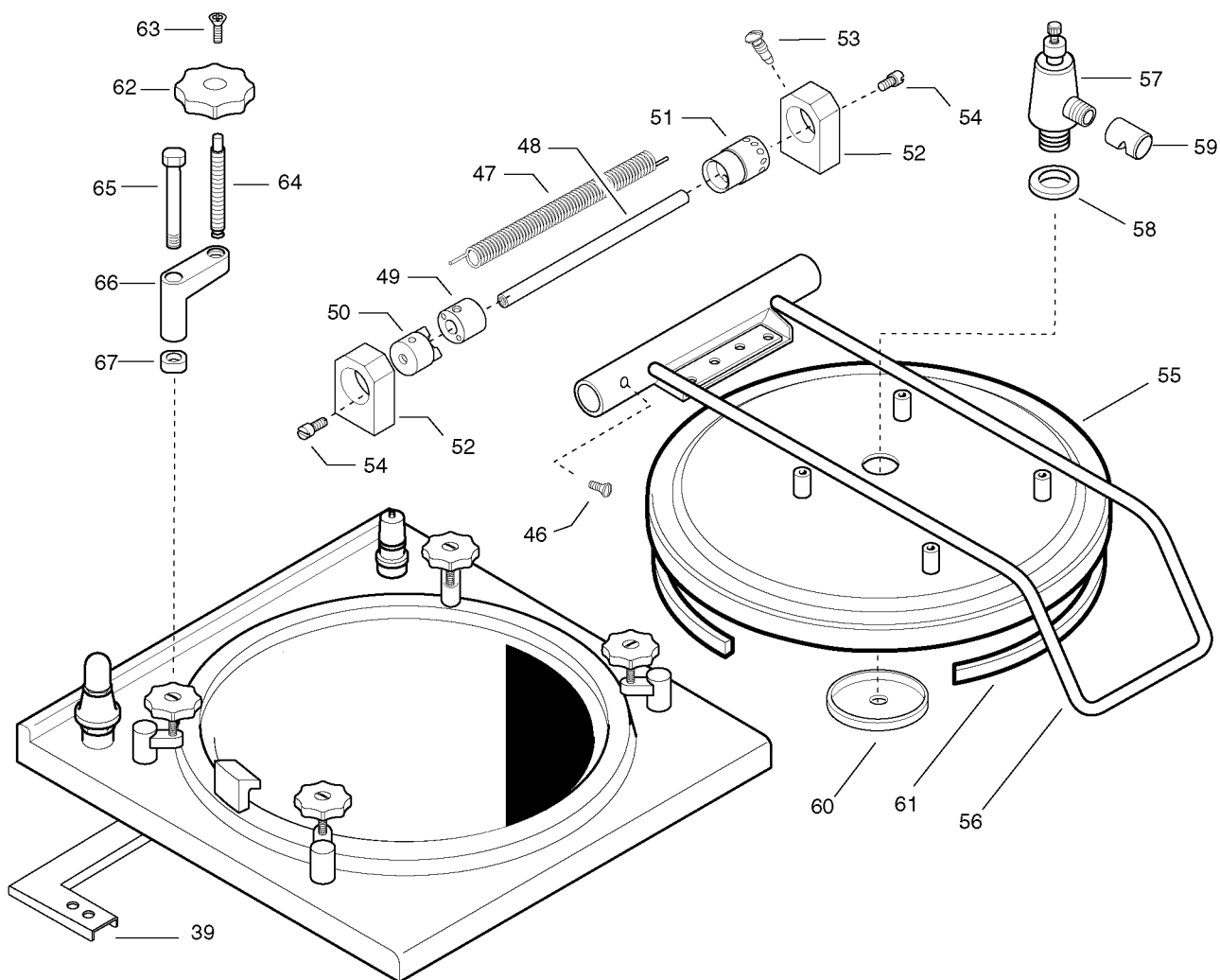
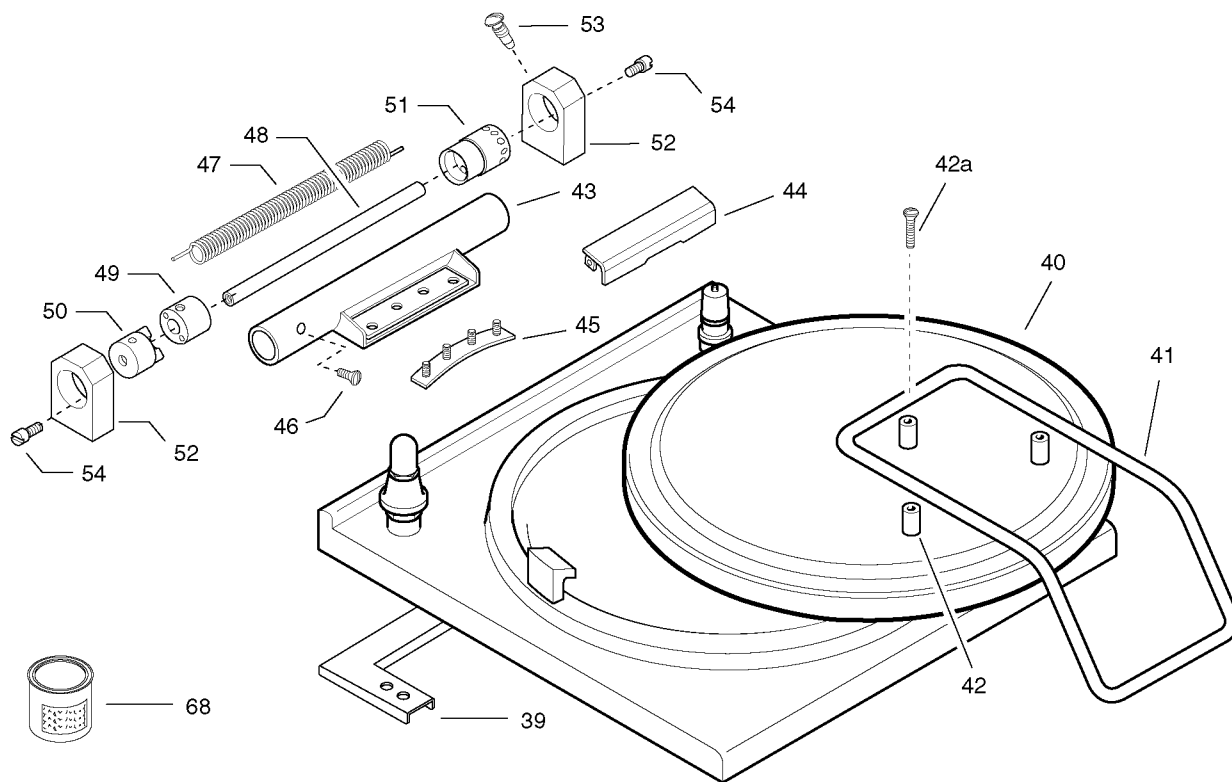
Modular PlatformViale Treviso, 15
33170 Pordenone - Italy
Fax: +39 0434-380577**PENTOLE ELETTRICHE INDIRETTE 100/150Lt N900**
ELECTRIC BOILING PAN INDIRECT HEATING 100/150Lt N900

PNC	Model	Ref.	Page	Notes
200 273	KPI/E10	a	1 - 2 - 3 - 4 - 5	100Lt Electric Boilong Pan Indirect Heating
200 274	KPI/E15	b	1 - 2 - 3 - 4 - 5	150Lt Electric Boilong Pan Indirect Heating
200 279	KPI/E15A	c	1 - 2 - 3 - 4 - 5	150Lt Electric Boilong Pan Indirect Heating Autoclave

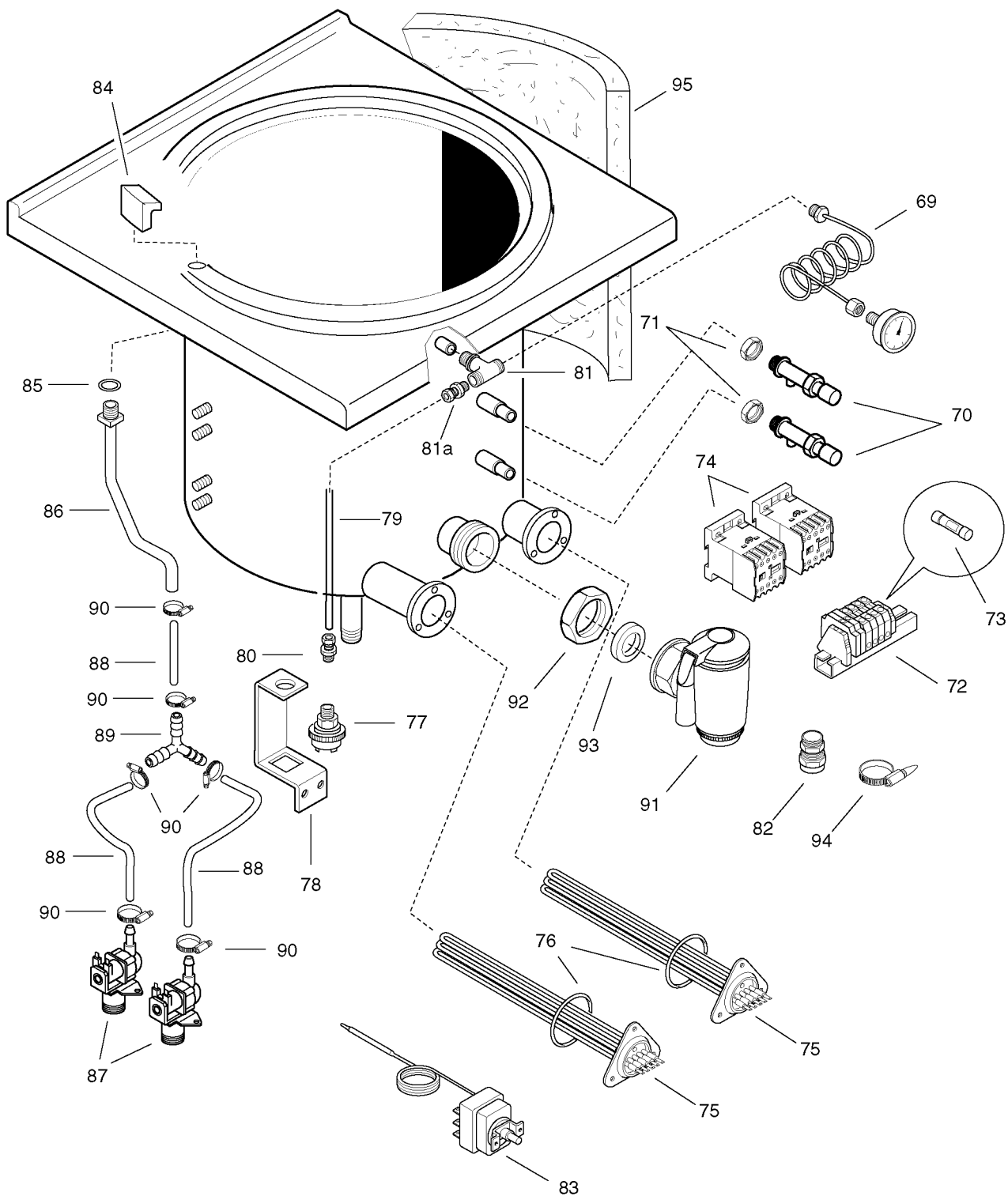
IndexPag. 1 - 2 - 3
Pag. 4 - 5**Indice**Frame and components
Spare parts listStruttura e componenti
Lista ricambi**Brand / Marchio :** Zanussi
Factory code: 9PDX



PENTOLE ELETTRICHE INDIRETTE N900
ELECTRIC BOILING PAN INDIRECT HEATING N900



PENTOLE ELETTRICHE INDIRECTE N900
ELECTRIC BOILING PAN INDIRECT HEATING N900



PENTOLE ELETTRICHE INDIRETTE N900
ELECTRIC BOILING PAN INDIRECT HEATING N900