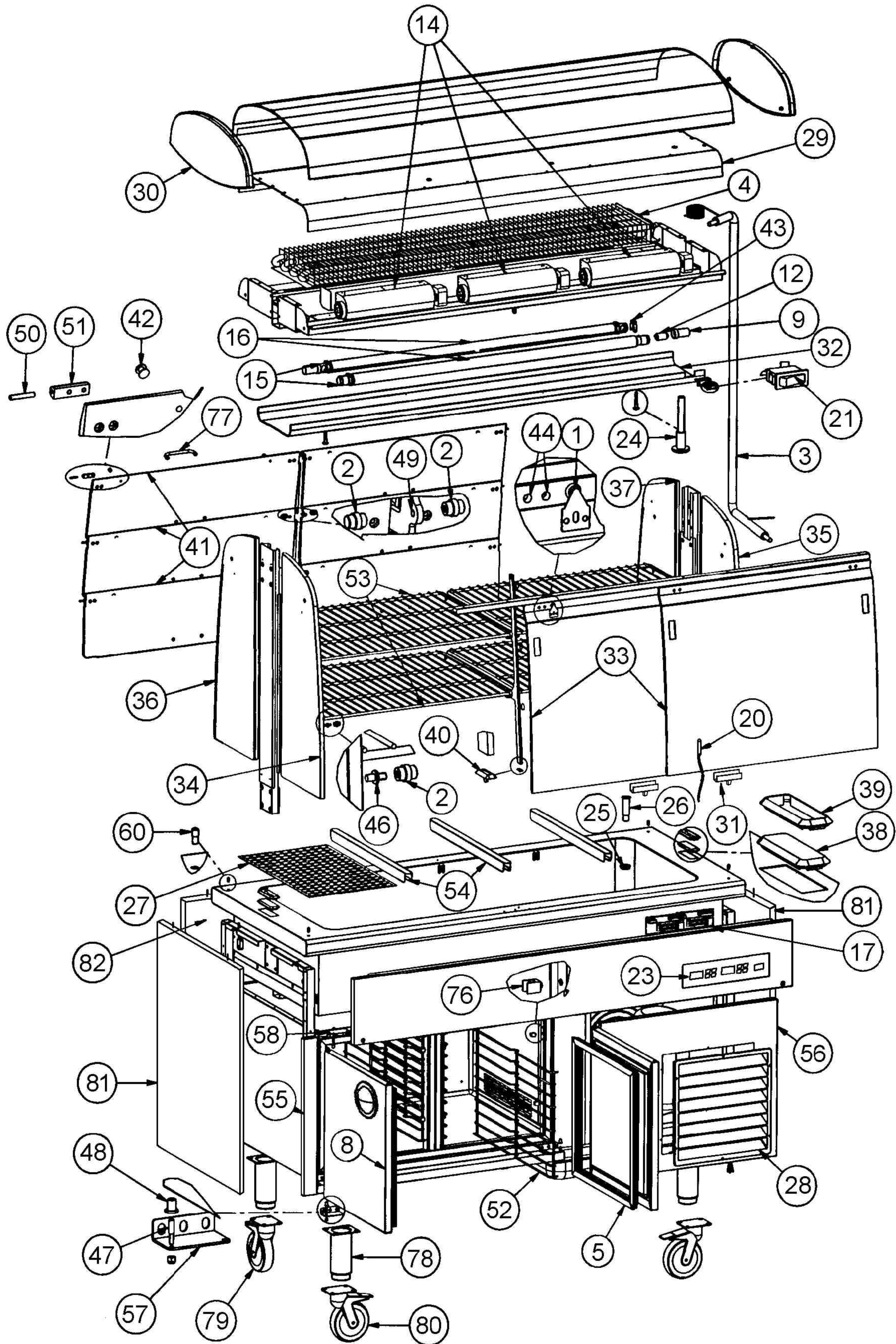


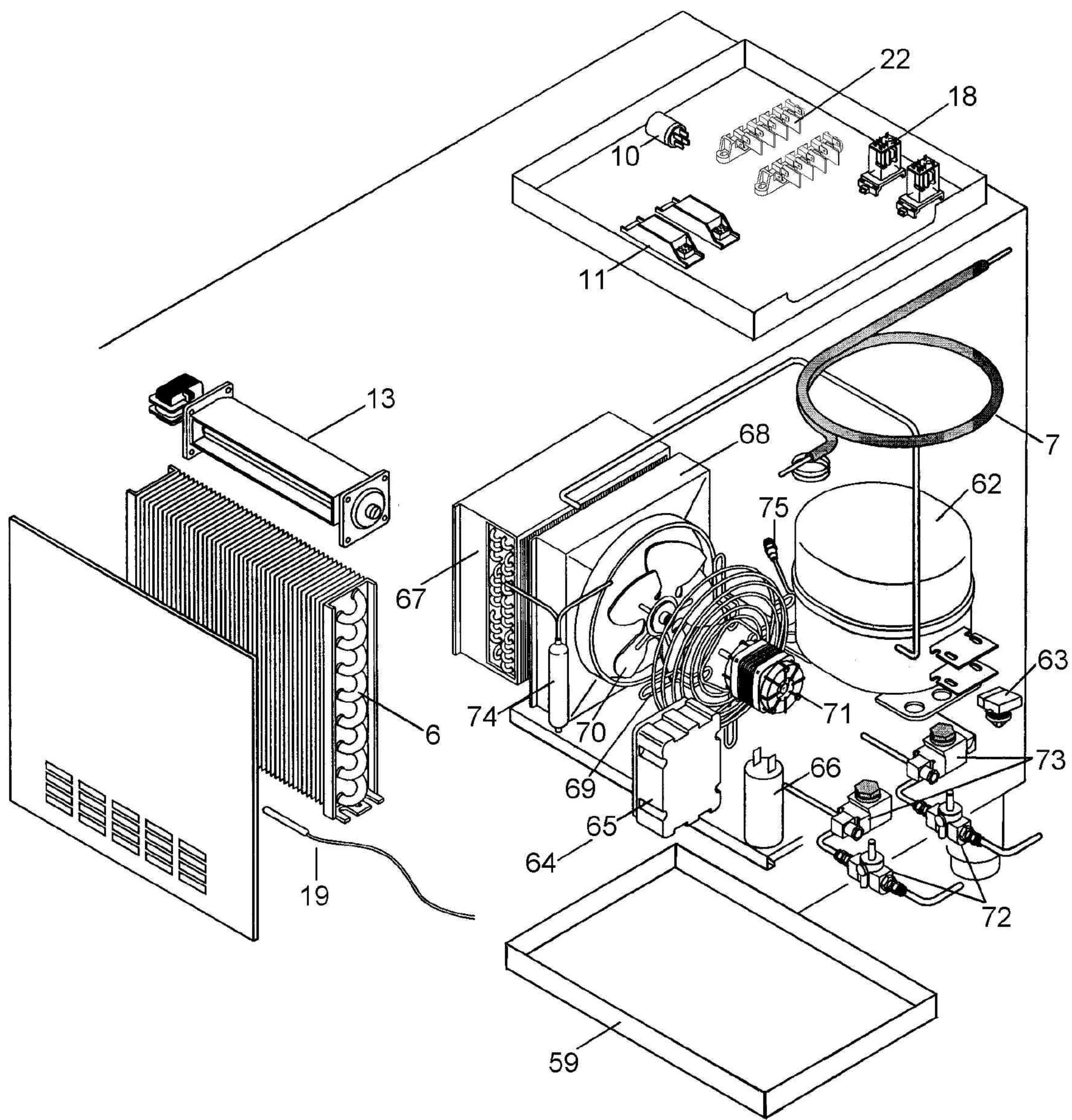
| PNC    | Model      | Page    | Notes      |
|--------|------------|---------|------------|
| 320122 | FSV11FP3X  | 1.....9 | FIT SYSTEM |
| 320123 | FSV15FP4X  | 1.....9 | FIT SYSTEM |
| 320124 | FSV15FPC4X | 1.....9 | FIT SYSTEM |
| 320127 | FSV11FP3C  | 1.....9 | FIT SYSTEM |
| 320128 | FSV15FP4C  | 1.....9 | FIT SYSTEM |
| 320129 | FSV15FPC4C | 1.....9 | FIT SYSTEM |
| 320133 | FSV11F3X   | 1.....9 | FIT SYSTEM |
| 320134 | FSV15F4X   | 1.....9 | FIT SYSTEM |
| 320136 | FSV15FC4X  | 1.....9 | FIT SYSTEM |
| 320138 | FSV11F3C   | 1.....9 | FIT SYSTEM |
| 320139 | FSV15F4C   | 1.....9 | FIT SYSTEM |
| 320140 | FSV15FC4C  | 1.....9 | FIT SYSTEM |
| 320141 | FSV11FD3X  | 1.....9 | FIT SYSTEM |
| 320142 | FSV15FD4X  | 1.....9 | FIT SYSTEM |
| 320143 | FSV15FDC4X | 1.....9 | FIT SYSTEM |
| 320144 | FSV11FD3C  | 1.....9 | FIT SYSTEM |
| 320145 | FSV15FD4C  | 1.....9 | FIT SYSTEM |
| 320146 | FSV15FDC4C | 1.....9 | FIT SYSTEM |

| <b>Index</b> |                         | <b>Indice</b> |                     |
|--------------|-------------------------|---------------|---------------------|
| Pag. 1       | Cupboard and components |               | Mobile e componenti |
| 2            | Cupboard and components |               | Mobile e componenti |
| 3            | Overshelf and lights    |               |                     |
| 4            | Trayslides and panels   |               |                     |
| 5.....9      | Spare parts list        |               | Lista ricambi       |

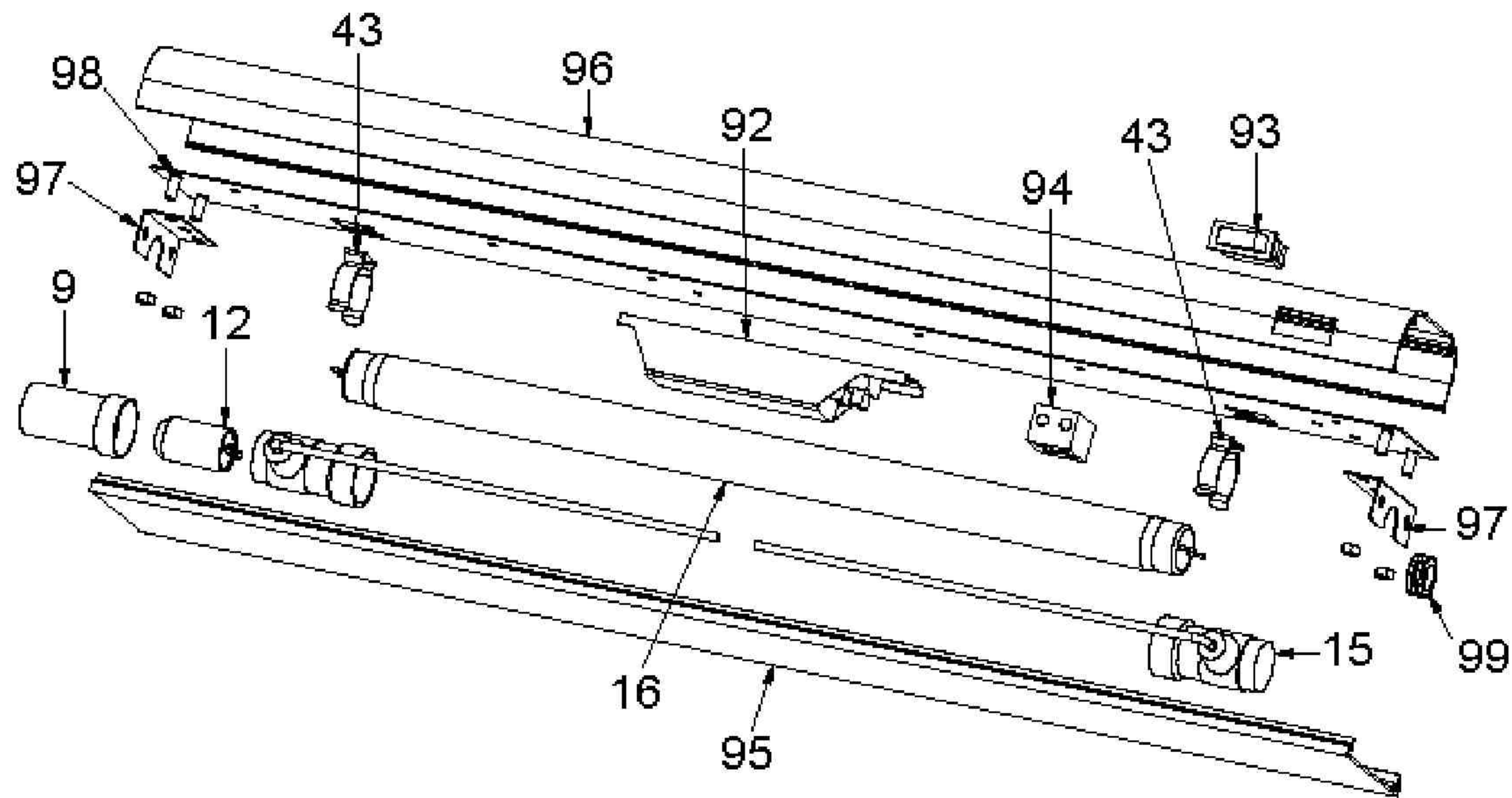
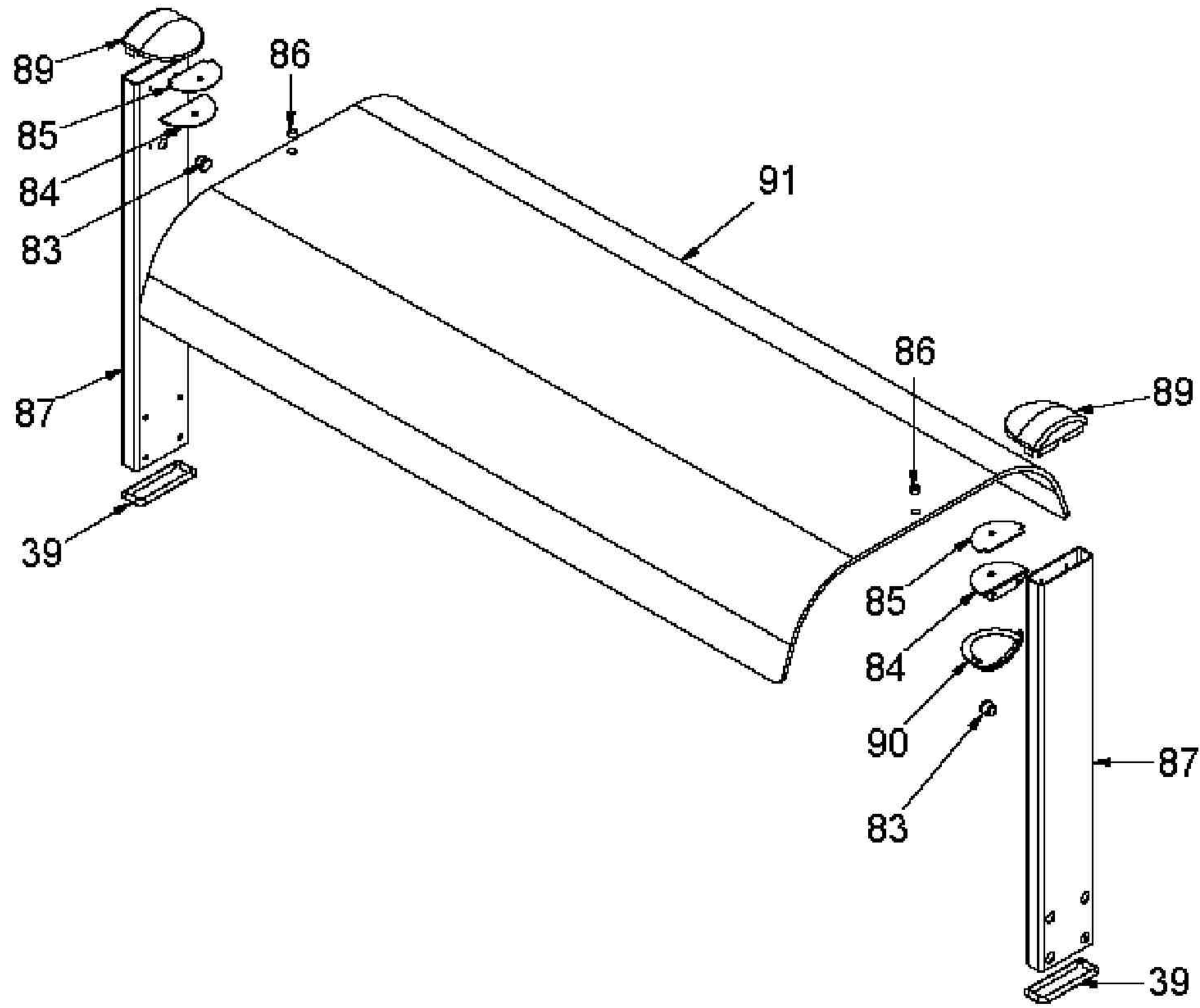
**Brand / Marchio:** MULTIBRAND  
**Factory code:** 3PDX



COLD UNITS  
 UNITA' REFRIGERATA



**COLD UNITS  
UNITA' REFRIGERATA**



COLD UNITS  
UNITA' REFRIGERATA

