

**DROP-IN HEATED TEMPERATED GLASS TOP
DROP-IN TOP CALDO VETRO TEMPERATO**

PNC	Mode	Ref.	Page	Notes
340 012	DI- HTGW2	a	1- 2	Heated tempered glass top 315 " Zanussi Electrolux "
340 013	DI- HTGW3	b	1- 2	Heated tempered glass top 630 " Zanussi Electrolux "
340 014	DI- HTGW4	c	1- 2	Heated tempered glass top 955 " Zanussi Electrolux "
340 015	DI- HTGW5	d	1- 2	Heated tempered glass top 1280 " Zanussi Electrolux "

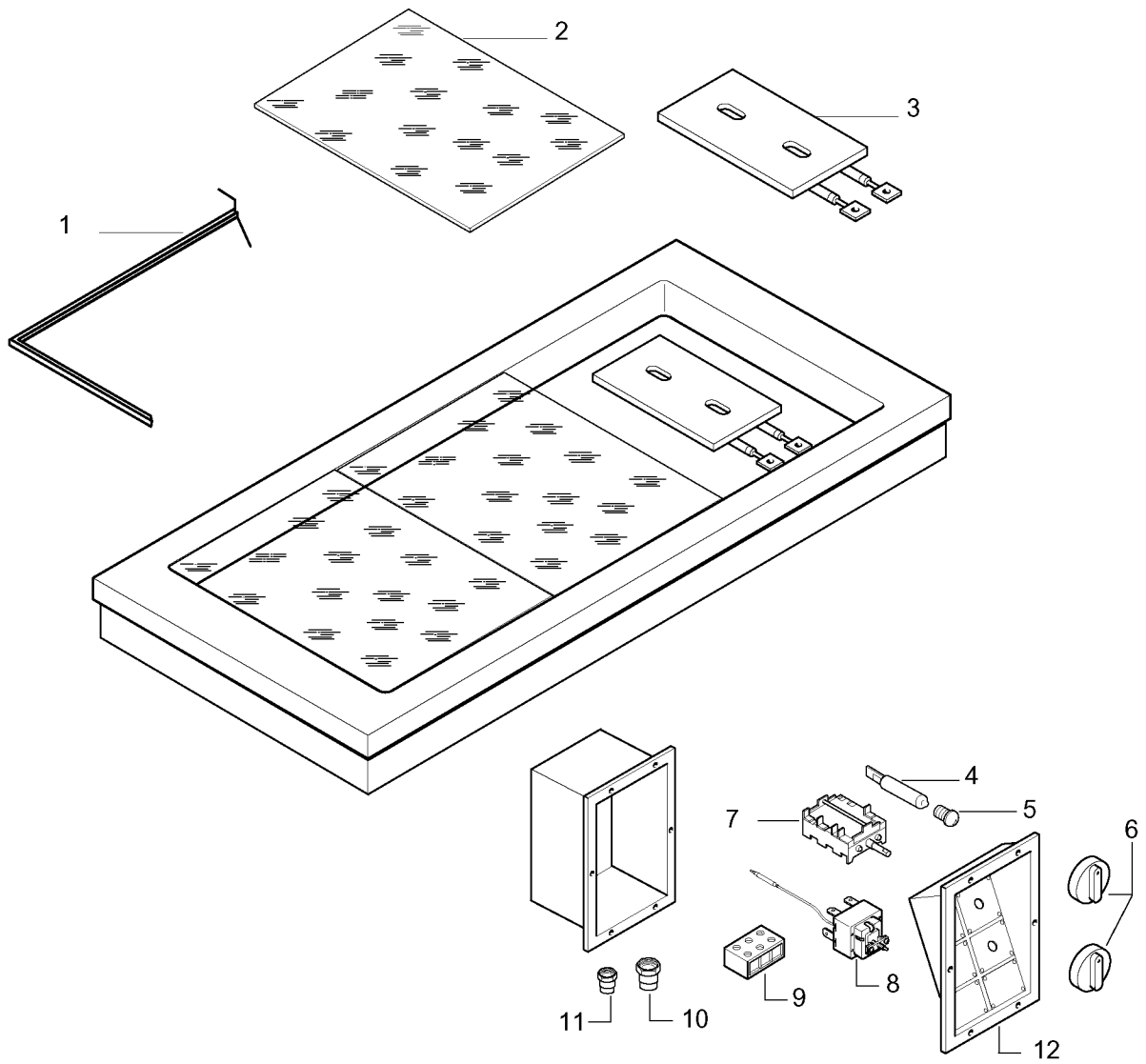
Index

Pag. 1 Cupboard and components
2 Spare parts list

Indice

Mobile e componenti
Lista ricambi

Brand / Marchio: Z - E
Factory code: 3PDX



DROP-IN HEATED TEMPERATED GLASS TOP
 DROP-IN TOP CALDO VETRO TEMPERATO

"DI" ELEMENTO PIANO VETRO TEMPERATO CALDO
HEATED TEMPERATED GLASS TOP UNIT

Cod.Pr.	340 012	340 013	340 014	340 015
Mod.	DI-HTGW1	DI-HTGW2	DI-HTGW3	DI-HTGW4
Ref.	A	B	C	D

Pos.	Code	Qnt.	Art.	Descrizione	Description	Ref. /Note
1	032858	1/2/3/4	646400100	Termostato trifase EGO	EGO threphase thermostat	A/B/C/D
2	075543	2/4/6/8	548801000	Corpo manopola	Knob core	A/B/C/D
3	031245	1/2/3/4	509800400	Borchia manopola termostato	Thermostat knob stud	A/B/C/D
4	075791	2/4/6/8	518802600	Molla dentata per manopola	Knob ring spring	A/B/C/D
5	025245	2/4/6/8	214590700	Molletta per manopola	Knob spring	A/B/C/D
6	075095	1/2/3/4	665601400	Indicatore luminoso arancione	Orange indicator lamp	A/B/C/D
7	046076	2/4/6/8	655600901	Lampada spia	Signal bulb	A/B/C/D
8	032857	1/2/3/4	640400200	Interruttore	Switch	A/B/C/D
9	032856	1	639402200	Morsettiera	Main board	A/B/C/D
10	032860	1/2/3/4	531310900	Borchia manopola interruttore	Switch knob stud	A/B/C/D
11	075096	1/2/3/4	665601300	Indicatore luminoso verde	Green indicator lamp	A/B/C/D
12	032759	1/2/3/4	617302600	Resistenza 765W	765W heating element	A/B/C/D
13	033098	1/2/3/4	574309600	Vetro temperato (500x320x8)	(500x320x8)Tempered glass	A/B/C/D
14	032863	1/2/3/4	646400400	Termometro (acc.)	Thermometer (accessory)	A/B/C/D
15	032724	1/2/3/4	543401000	Guarnizione	Gasket	