

Modular Platform

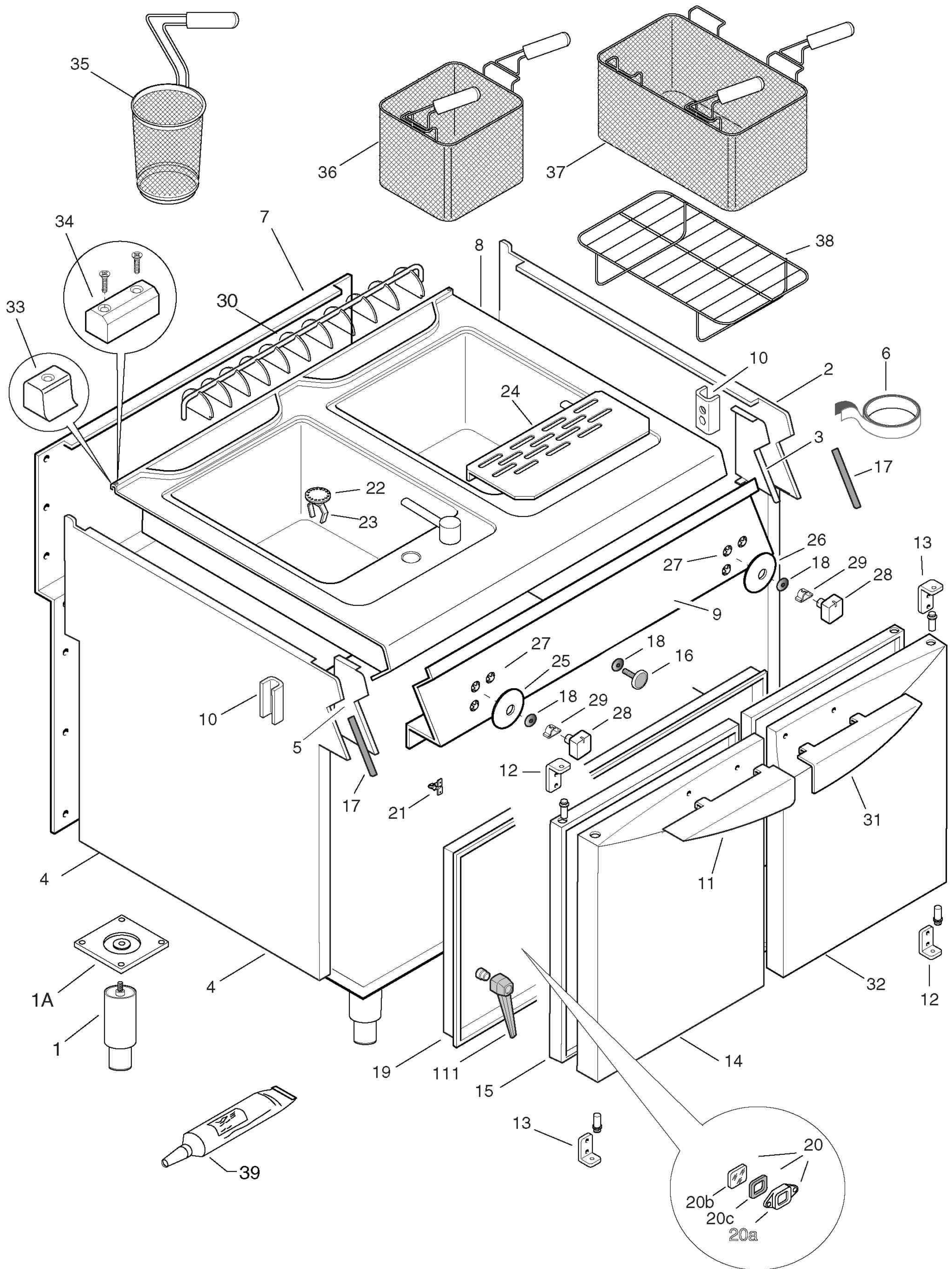
Viale Treviso, 15
33170 Pordenone - Italy
Fax: +39 0434-380577

**CUOCIPASTA GAS N900
GAS PASTA COOKER N900**

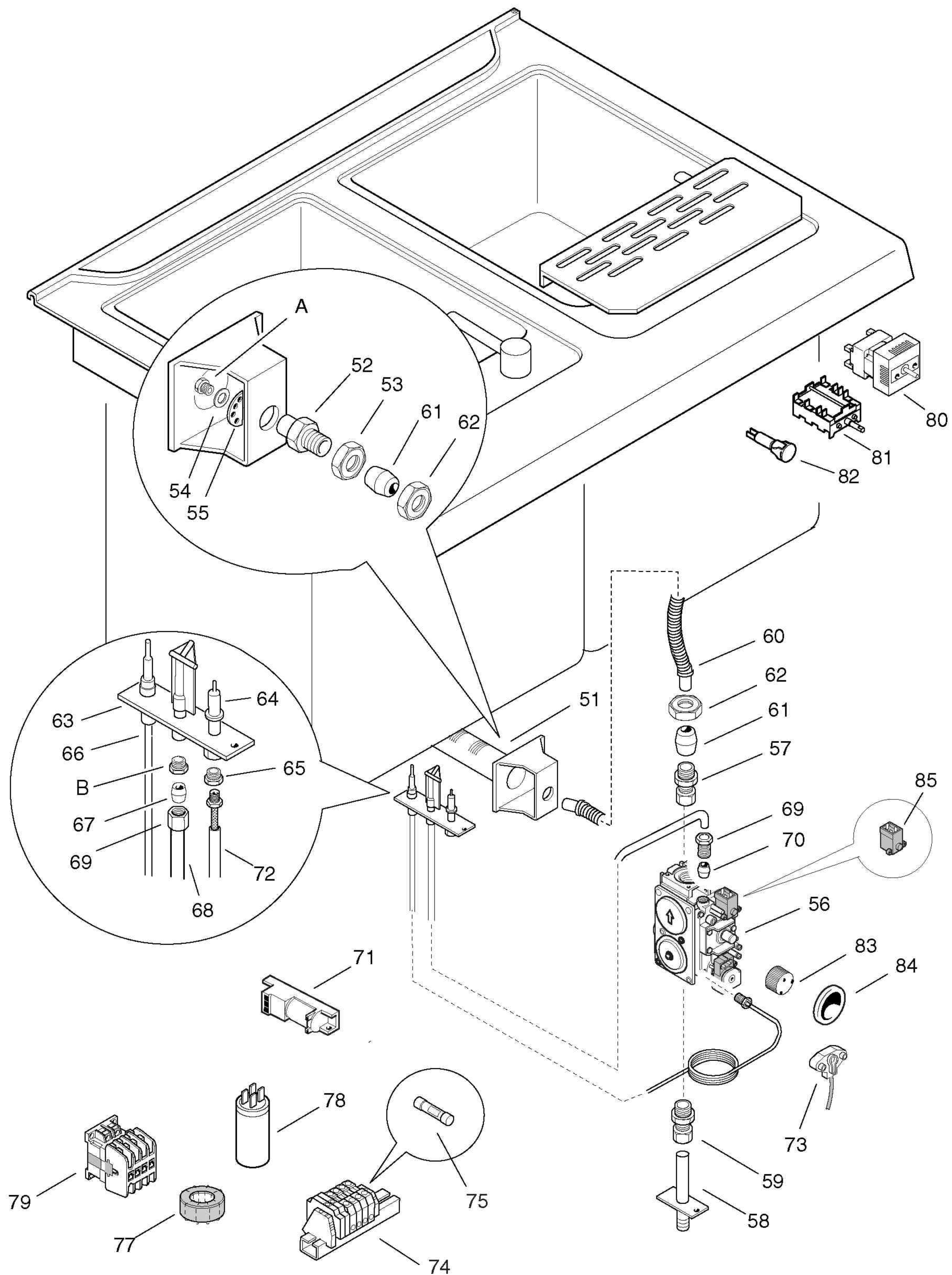
PNC	Model	Ref.	Notes
200 376	KCP/G1	a	Gas Pasta Cooker 40L 400MM
200 377	KCP/G1R	b	Gas Pasta Cooker Rapid System 40L 400MM
200 378	KCP/G2	c	Gas Pasta Cooker 40+40L 800MM
200 379	KCP/G2R	d	Gas Pasta Cooker 40+40L Rapid System 800MM

	Index	Indice
Pag. 1	Frame	Mobile
Pag. 2	Functional components	Componenti funzionali
Pag. 3	Water system/Boiler	Impianto acqua/Boiler
Pag. 4 - 5 - 6	Spare parts list	Lista ricambi

Brand / Marchio : Zanussi
Factory code: 9 PDX



Cuocipasta Gas N900
Gas Pasta Cooker N900



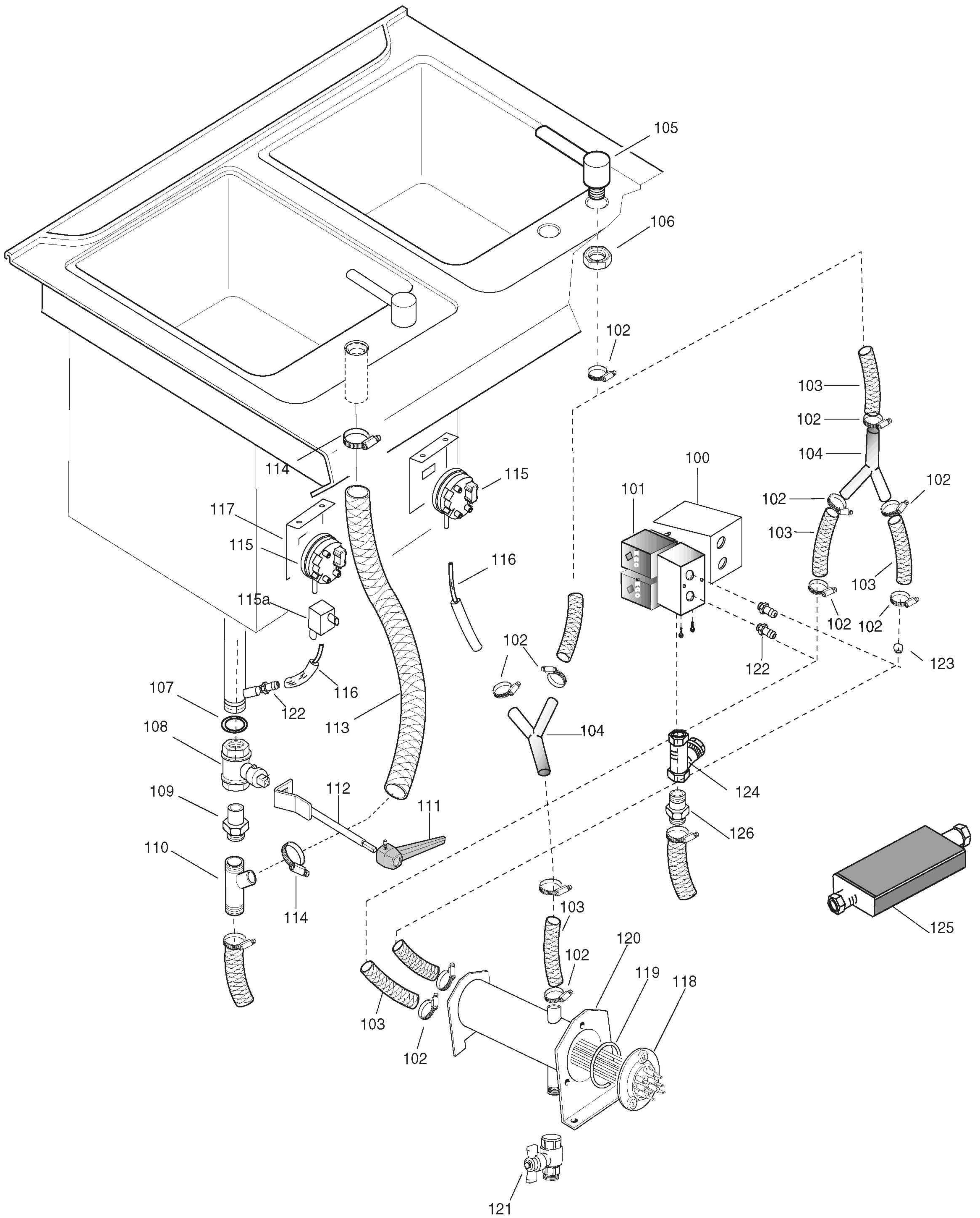
A - Ugello bruciatore / Burner nozzle

6DGT Code	Ref. / Notes
0C0551	ø2.85 2H/2E+ G20 20mbar
0C0552	ø3.15 2ELL G25 20mbar
004856	ø2.95 2L G25 25mbar
054033	ø1.90 3+3B/P G30/31 28-30/37mbar
054127	ø1.65 3B/P G30/31 50mbar
054128	ø3.40 No CE G20 10mbar

E - Ugello pilota / Pilot nozzle

6DGT Code	Ref. / Notes
054037	n°25 2H/2E+ G20 20mbar
054037	n°25 2ELL G25 20mbar
054037	n°25 2L G25 25mbar
054286	n°24 3+3B/P G30/31 28-30/37mbar
054286	n°24 3B/P G30/31 50mbar
054037	n°25 No CE G20 10mbar

Cuocipasta Gas N900
Gas Pasta Cooker N900



Cuocipasta Gas N900
Gas Pasta Cooker N900

Da Ser. Nr. / From ser. nr.:.....

Page: 3

Ed. 2007 12

Doc. Nr.:

2 - 25 601