

**LAVAOGGETTI FRONTALE
FRONT LOADING DISHWASHER****PW1M / PW1MH / PW1SM
PW2M / PW2SM / WT830M / WT830MH
WT850M / PW100M / PW100MH / PW200M**

Code	Type	Ref.	Pagina/ Page	Code	Type	Ref.	Pagina/ Page
506007	PW1SMG	g	2 4 6 8	506026	WT830MHG	r	2 4 6 8
506010	PW1MG	a	2 4 6 8	506044	PW2SMG	h	3 5 7 8
506011	PW1M/UK	b	2 4 6 8	506045	ET830M	y	2 4 6 8
506013	PW1MHG	d	2 4 6 8	506046	ET830MH	j	2 4 6 8
506014	PW2MG	e	3 5 7 8	506047	ET850M	w	3 5 7 8
506015	PW2M/UK	f	3 5 7 8	698039	PW100MG	x	2 4 6 8
506018	WT830M	l	2 4 6 8	698040	PW100M	s	2 4 6 8
506019	WT830M/UK	m	2 4 6 8	698041	PW200M	t	3 5 7 8
506020	WT830M60G	n	2 4 6 8	698043	PW100MHG	v	2 4 6 8
506022	WT850M	o	3 5 7 8	698044	LV100M	u	2 4 6 8
506023	WT850M/UK	p	3 5 7 8	698045	LV200M	z	3 5 7 8
506024	WT850M60G	q	2 4 6 8	698046	PW200MG	c	2 4 6 8

Pagina/ Page**Indice/ index**

2	Vista generale * / Main view *
3	Vista generale ** / Main view **
4	Componenti idraulici * / Hydraulic components *
5	Componenti idraulici ** / Hydraulic components **
6	Circuito idraulico * / Hydraulic circuit *
7	Circuito idraulico ** / Hydraulic circuit **
8	Componenti elettrici / Electrical components
9 - 18	Lista ricambi / Spare parts list

* PW1M/PW1SM/PW100M/WT830M

** PW2M/PW2SM/PW200M/WT850M

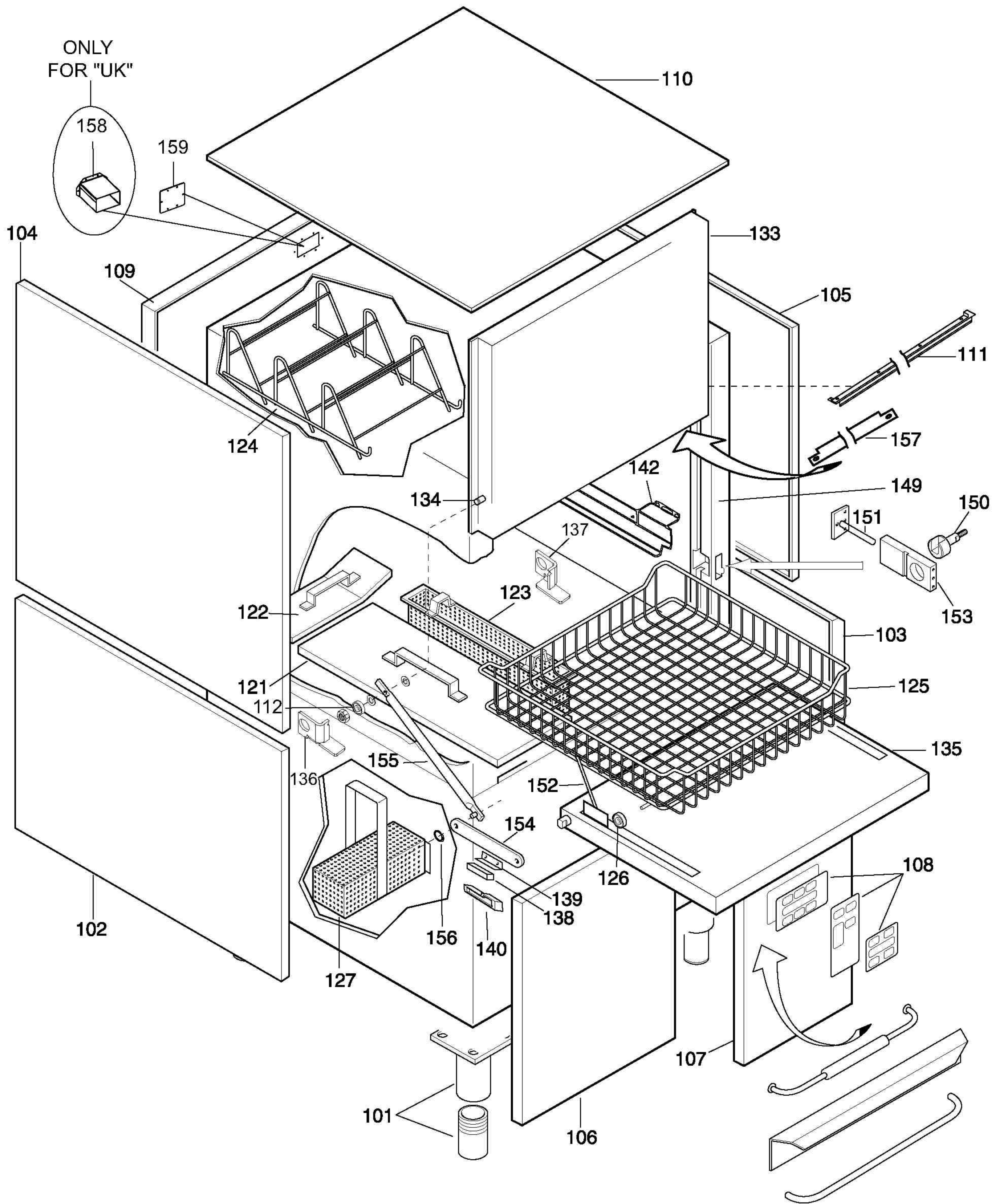
Marchio/ Brand: Z - E - A
Paese/ Country: Tutti/ All

Da Ser.Nr./From Ser.nr.: /450....

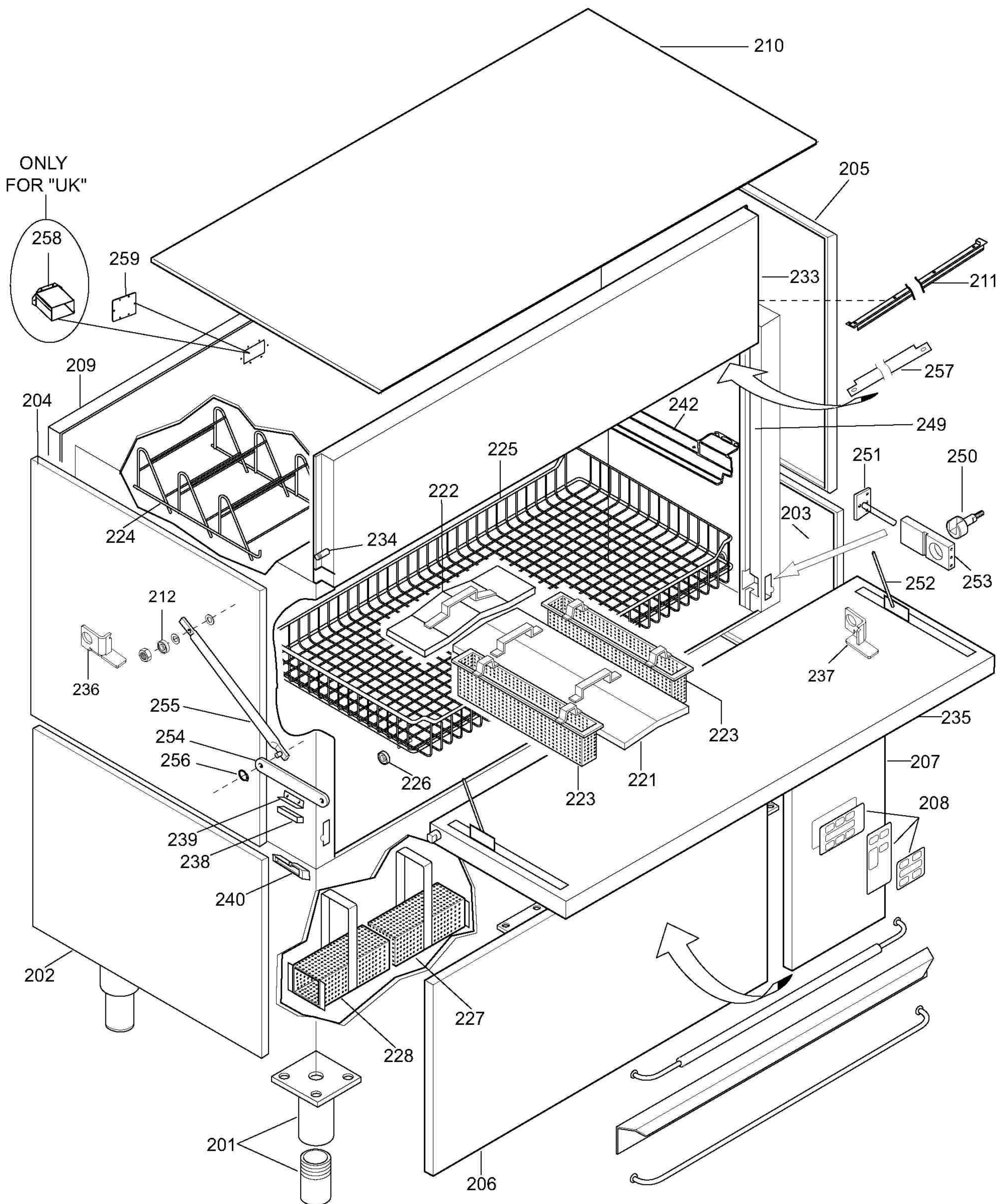
Page: 1

Ed.2010-06

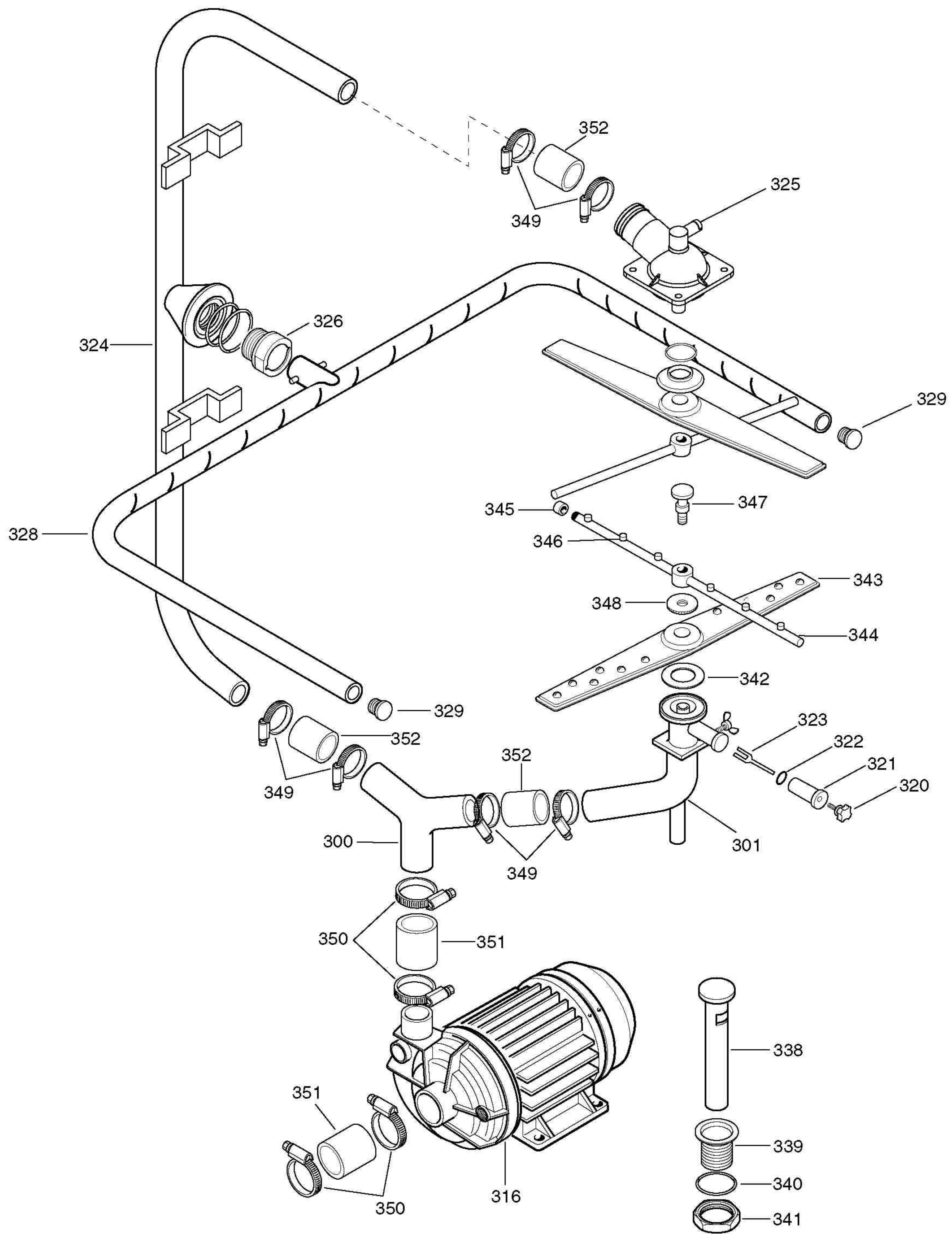
Doc. Nr.: 6-81 002A



ill. 681002p1A_A
 Vista generale * / Main view *



ill. 681002p2A_A
 Vista generale ** / Main view **



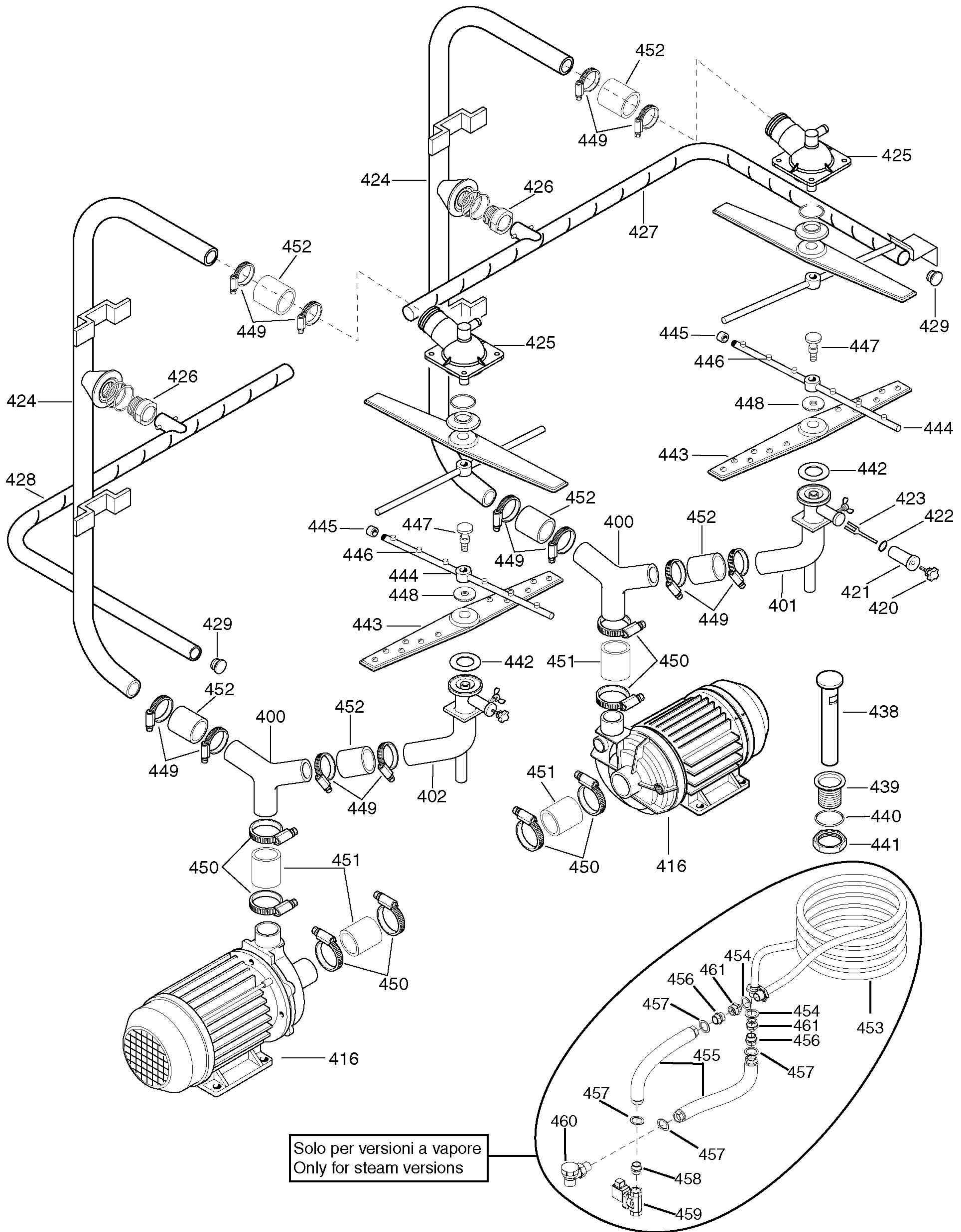
ill. 681002p3A_A
 Componenti idraulici * / Hydraulic components *

Da Ser.Nr./From Ser.nr.: /450....

Page: 4

Ed.2004-11

Doc. Nr.: 6-81 002A



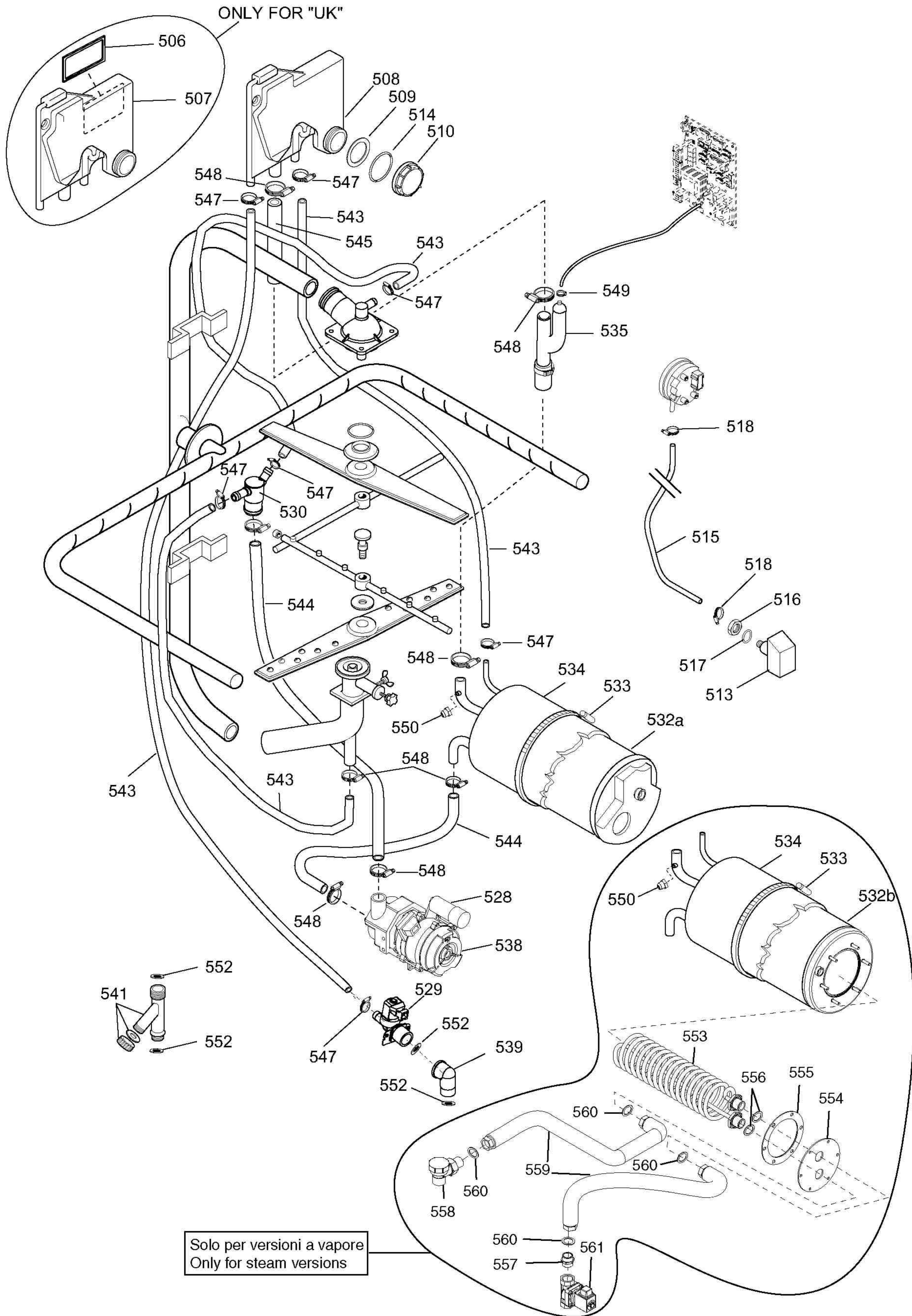
ill. 681002p4A_A
Componenti idraulici ** / Hydraulic components **

Da Ser.Nr./From Ser.nr.: /450....

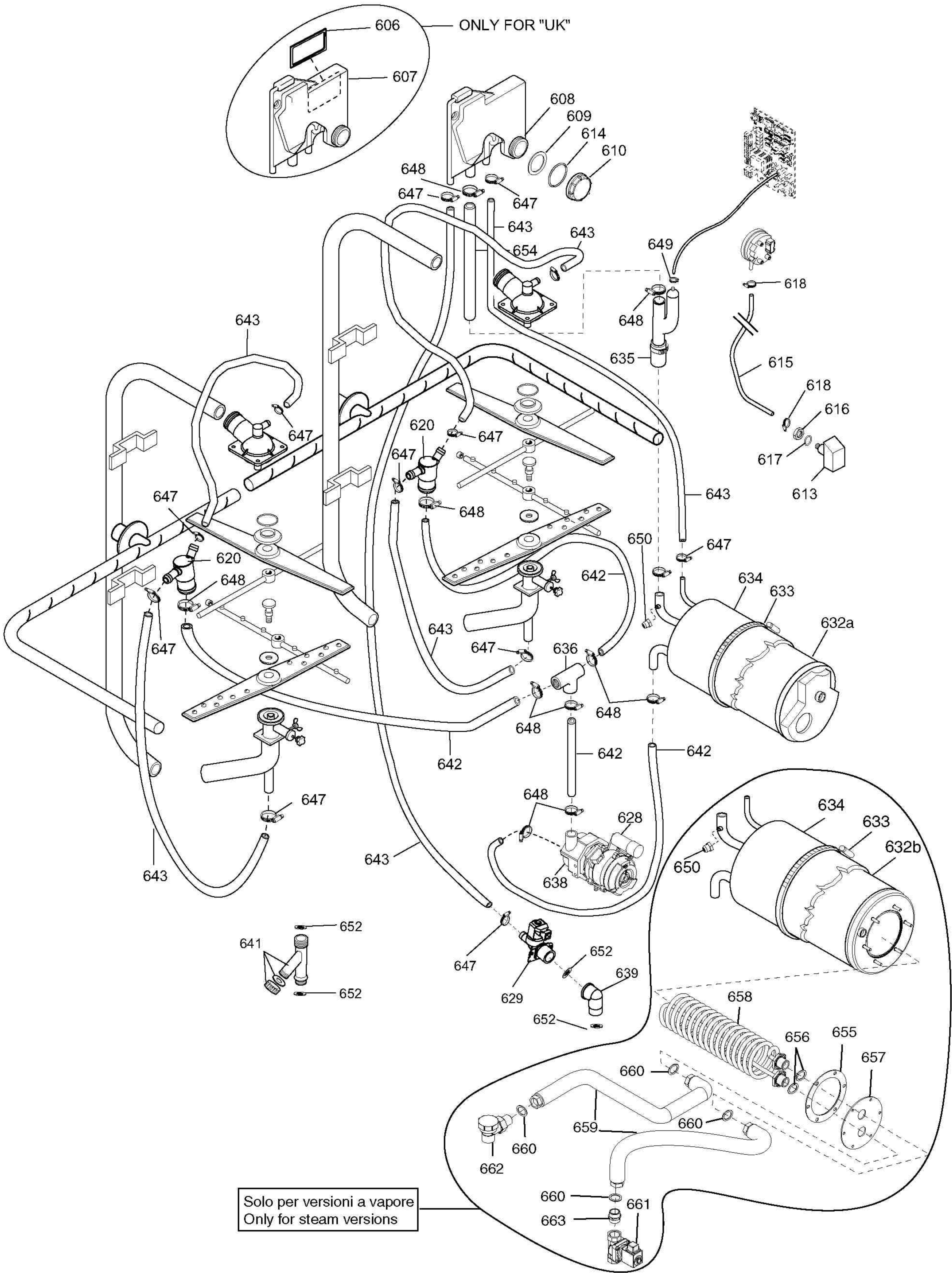
Page: 5

Ed.2010-06

Doc. Nr.: 6-81 002A

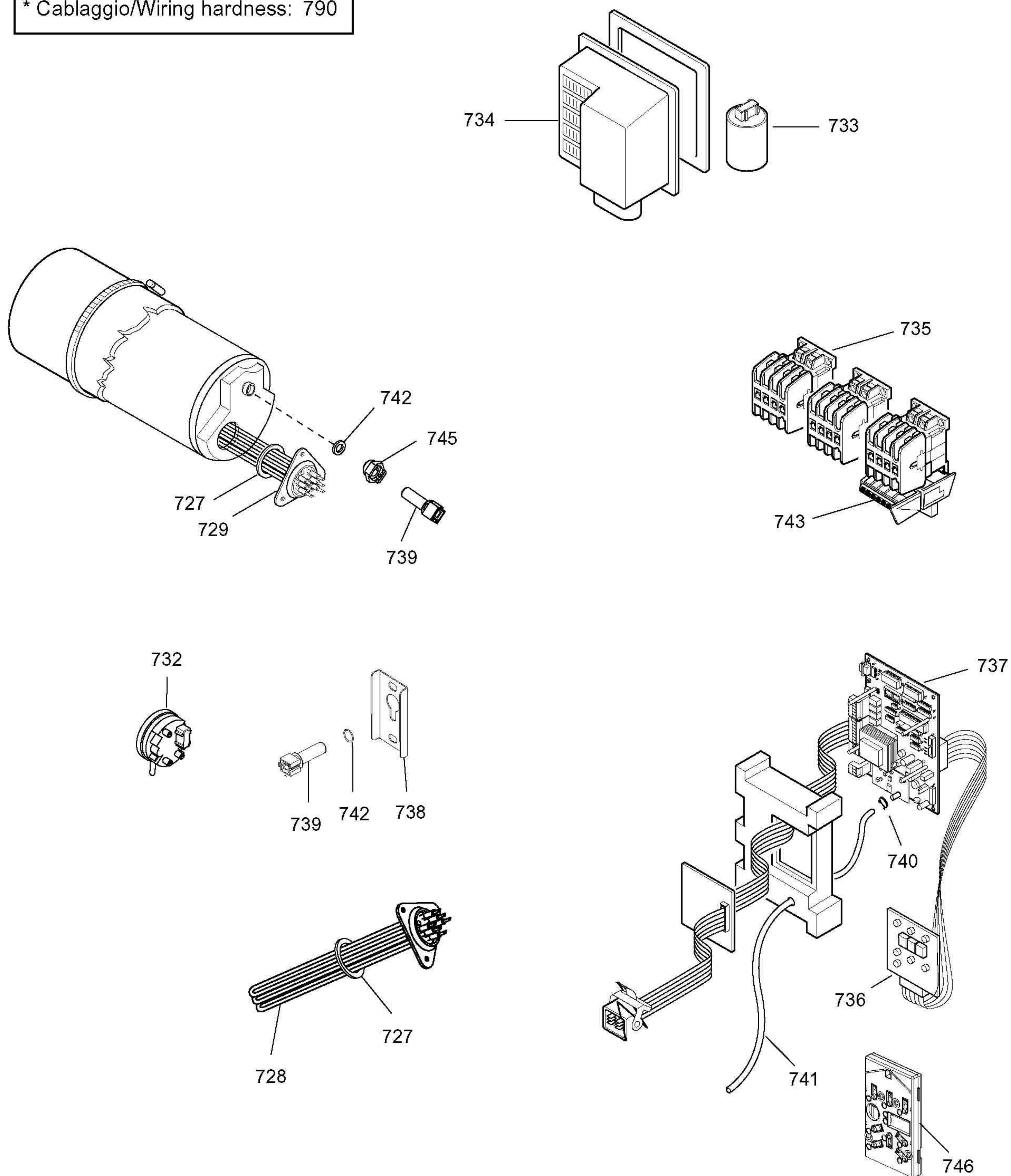


ill. 681002p5A_A
Circuito idraulico * / Hydraulic circuit *



ill. 681002p6A_A
 Circuito idraulico ** / Hydraulic circuit **

* Cablaggio/Wiring harness: 790



ill. 681002p7A_A
Componenti elettrici / Electrical components