

**LAVASTOVIGLIE SOTTOTAVOLO  
UNDRECOUNTER DISHWASHER****LS5 / WT4**

Code	Type	Ref.	Pagina/ Page
400007	WT4	a	2 3 4 5
400008	WT4B	b	2 3 4 5
400009	WT4D	c	2 3 4 5
400015	WT4DB	d	2 3 4 5
400016	WT46	e	2 3 4 5
400042	WT4D60	i	2 3 4 5
400043	WT4DDG	w	2 3 4 5
400100	LS5/1	f	2 3 4 5
400102	LS5/1DP	g	2 3 4 5
400112	LS5/3	h	2 3 4 5
400113	LS5/3DP	k	2 3 4 5
400124	LS5/1DP60	q	2 3 4 5
400125	LS5/1DPAUS	r	2 3 4 5
400126	LS5/1DPCS	u	2 3 4 5
690004	FL5	l	2 3 4 5
690005	FL5DP	m	2 3 4 5
690006	LV5	n	2 3 4 5
690007	LV5/DP	o	2 3 4 5
690010	UC5/1DP	p	2 3 4 5
690013	LD5DP	s	2 3 4 5
690014	LD5	t	2 3 4 5
690017	UC5/1	v	2 3 4 5
690018	UC5/1DP	z	2 3 4 5
690027	FL5DDG	x	2 3 4 5

**Pagina/ Page****Indice/ index**

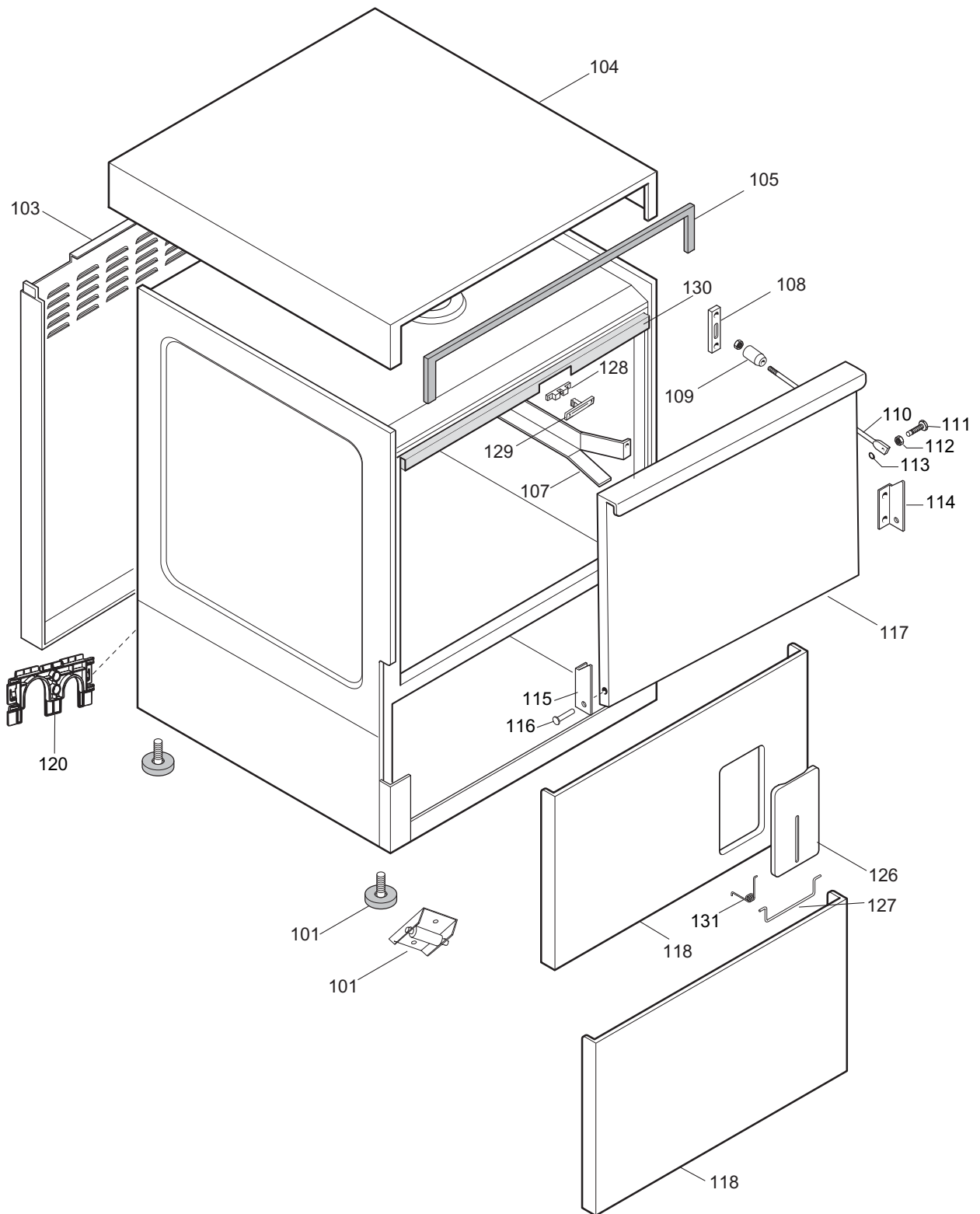
2	Vista generale / Main view
3	Componenti idraulici / Hydraulic components
4	Circuito idraulico / Hydraulic circuit
5	Componenti elettrici / Electrical components
6 - 10	Lista ricambi / Spare parts list

**Marchio/ Brand:** Z - A - F - E**Paese/ Country:** Tutti/ All

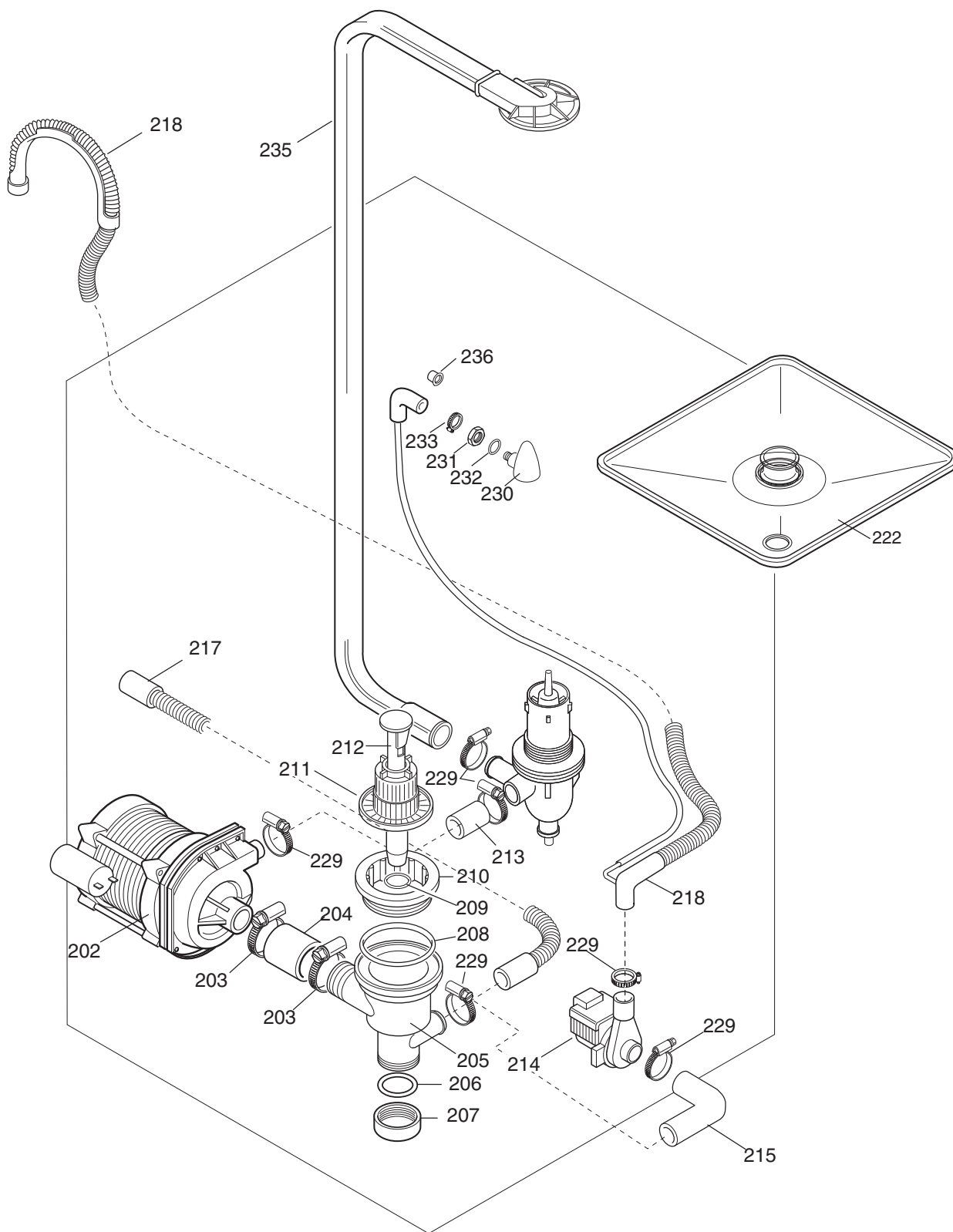
Da Ser.Nr./From Ser.nr.: /219...

Page: 1 Ed.2008-05

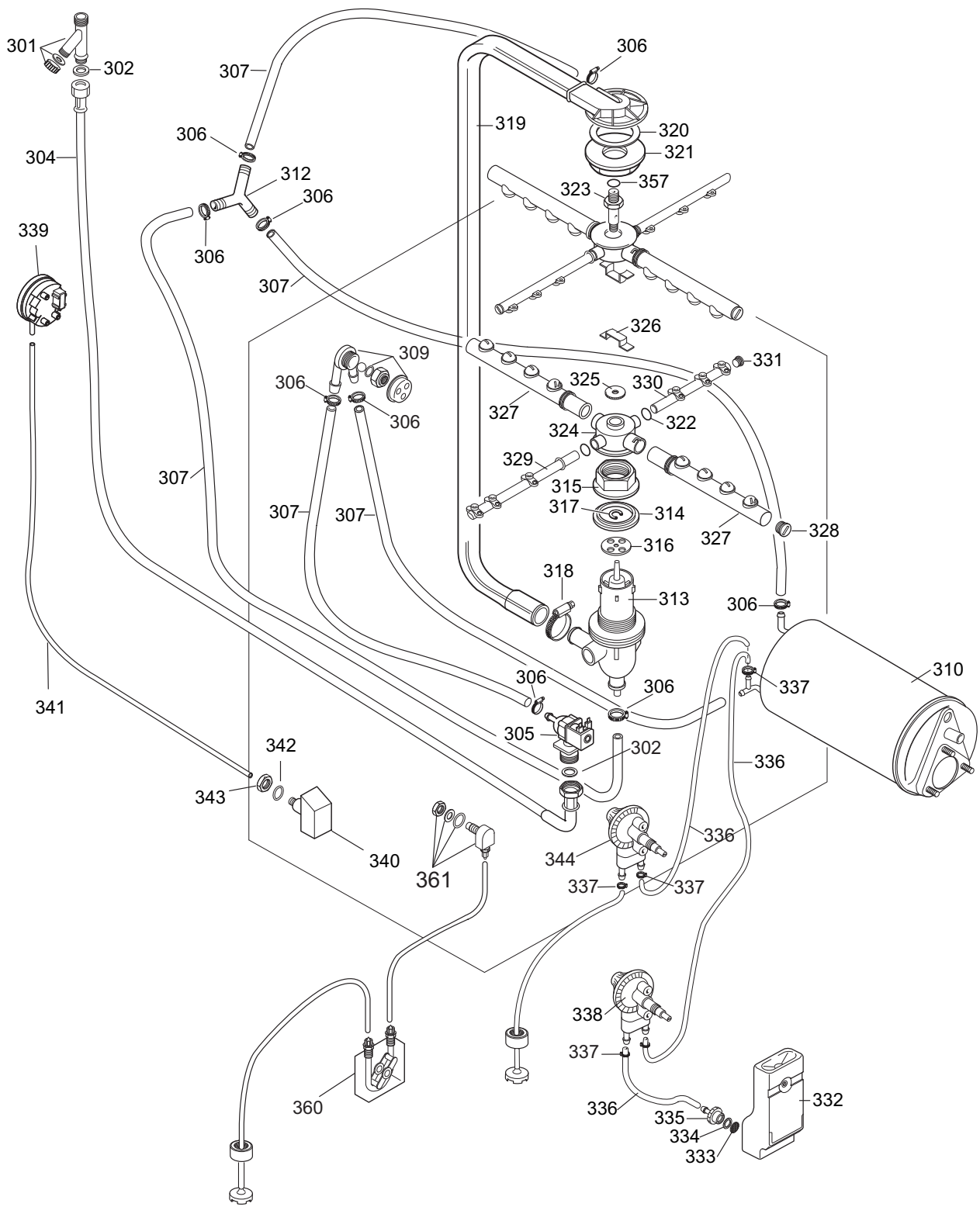
**Doc. Nr.: 6-12 003**



ill. 612003p2  
 Vista generale / Main view

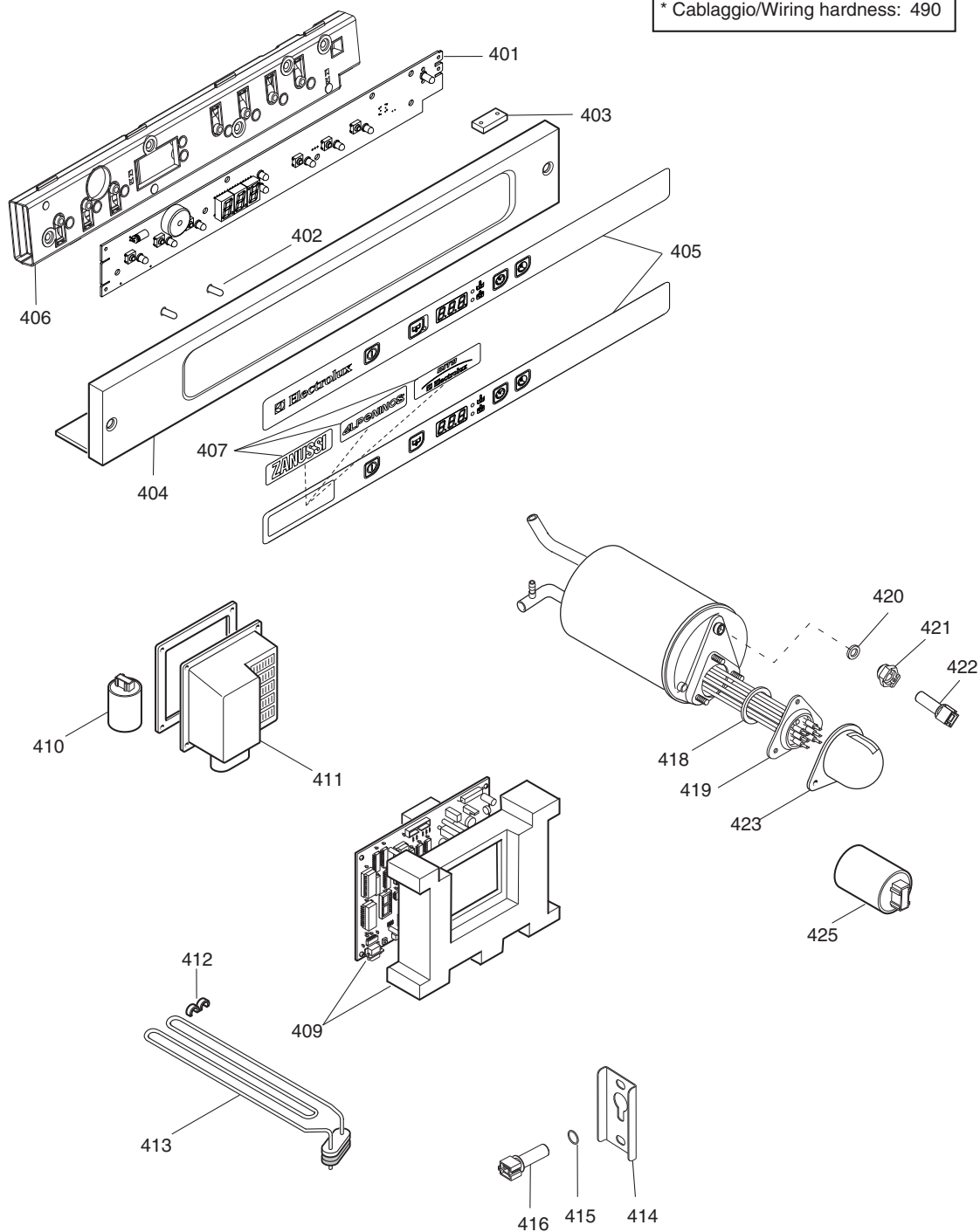


ill. 612003p3  
 Componenti idraulici / Hydraulic components



ill. 612003p4A  
 Circuito idraulico / Hydraulic circuit

\* Cablaggio/Wiring hardness: 490



ill. 612003p5.ai  
Componenti elettrici / Electrical components

Da Ser.Nr./From Ser.nr.: /219...

Page: 5 Ed.2003-07

Doc. Nr.: 6-12 003

LAVASTOVIGLIE SOTTOTAVOLO LS5 / WT4 UNDERCOUNTER DISHWASHER LS5 / WT4			Grassetto = variazioni Bold Print = changes	
Pos.	Cod.ric. Part No.	Descrizione	Description	Note / Notes
		<b>Pagina 2: Vista generale</b>	<b>Page 2: Main view</b>	<b>ill. 612003p2</b>
101	049393	Piedino regolabile	Adjustable foot	
101	0L0118	Piede a rullo	Roller	u
103	049949	Schienale	Rear panel	Up to ser. nr.: 244
103	0L0123	Schienale	Rear panel	From ser. nr.: 245
104	049948	Coperchio	Top panel	Up to ser. nr.: 244
104	0L0122	Coperchio	Top panel	From ser. nr.: 245
105	046583	Guarnizione	Gasket	
107	049272	Supporto cesto destro	Right basket support	
107	049273	Supporto cesto sinistro	Left basket support	
108	049285	Placca	Plate	
109	049286	Ammortizzatore	Absorber	
110	049282	Tirante	Tie rod	
111	049283	Perno per tirante	Pin, for tie rod	
112	049372	Dado autobl. basso	Locking nut, flat	
113	049284	Anello seger	C-Clamp	
114	049279	Cerniera destra	Right hinge	
115	049280	Cerniera sinistra	Left hinge	
116	049281	Perno cerniera	Hinge pin	
117	049951	Porta	Door	
118	049950	Pannello frontale	Front panel	f,g,h,k,l,m,n,o,p,q,r Up to ser. nr.: 244
118	049974	Pannello frontale	Front panel	f,g,h,k,l,m,n,o,p,q,r,u,v,z From ser. nr.: 245 Up to Ser. N. 649
118	049974	Pannello frontale	Front panel	a,b,c,d,e,i - Up to Ser. N. 649
118	0L0648	Pannello frontale	Front panel	s,t - Up to Ser. N. 649
118	049985	Pannello frontale	Front panel	s,t - From Ser. N. 650
118	049985	Pannello frontale	Front panel	w,x - Up to ser nr.: 806
118	049985	Pannello frontale	Front panel	a,b,c,d,e,i,f,g,h,k,l,m,n,o, p,q,r,u,v,z - From Ser. N. 650 Up to Ser. nr.: 806
118	0L1649	Pannello frontale	Front panel	w,a,b,c,d,e,i,f,g,h,k,l,m,n,x, o,p,q,r,u,v,z From ser nr.: 807
119	047551	Coperchio vaschetta	Container lid	
120	0L0112	Copertura passatubi	Hoses protection	From ser. nr.: 245
126	048363	Sportellino	Door	Not for "w,x" - Up to Ser. N. 649
127	049023	Molla, per sportellino	Spring, for door	Not for "w,x" - Up to Ser. N. 649
128	049271	Scrocchetto	Snap catch	
129	049536	Nasello	Door-stop	
130	0L0021	Guarnizione	Gasket	
131	048279	Molla, per sportellino	Spring, for door	Not for "w,x"- Up to Ser. N. 649

**LAVASTOVIGLIE SOTTOTAVOLO LS5 / WT4  
UNDERCOUNTER DISHWASHER LS5 / WT4**

**Grassetto = variazioni  
Bold Print = changes**

Pos.	Cod.ric. Part No.	Descrizione	Description	Note / Notes
		<b>Pagina 3: Componenti idraulici</b>	<b>Page 3: Hydraulic components</b>	<b>ill. 612003p3</b>
202	049885	Pompa Lavaggio	Wash pump	e - 60Hz
202	049876	Pompa Lavaggio	Wash pump	b,d,h,k,l,m,n,o,s,t Up to ser. nr.: 649
202	0L0126	Pompa Lavaggio	Wash pump	b,d,h,k,l,m,n,o,s,t From ser. nr.: 650
202	0L0126	Pompa Lavaggio	Wash pump	a,c,f,g,p,r,u,v,z,w,x
202	0L0562	Pompa Lavaggio	Wash pump	i,q - 60Hz
203	046855	Fascetta 50-70	Hose clamp 50-70	
204	0L0259	Tubo Gomma 37x52	Hose	
205	048325	Coll. Asp. Scarico	Drain manifold	
206	049828	Guarniz. Tappo Ter. Sc.	Gasket	
207	046596	Tappo Terminale Sc.	Plug; for manifold	
208	049894	OR 4*110 Asp Sc.	O Ring	
209	046799	OR Troppo Pieno	O Ring	
210	048326	Ghiera collettore Asp. Sc.	Ring nut; for manifold	
211	048324	Filtro Asp. Pompa	Filter; for pump	
212	048323	Troppo pieno	Overflow pipe	a,b,e,f,h,l,n,t,v
212	048842	Troppo pieno	Overflow pipe	c,d,g,k,m,o,p,r,s,i,q,u,z,w,x
213	046257	Tubo 42x52	Hose	
214	048844	Pompa scarico	Drain pump	50hz - c,d,g,k,m,o,p,r,s Up to ser. nr.: 518
214	0L0690	Pompa scarico	Drain pump	50hz - c,d,g,k,m,o,p,r,s,u,z,w,x From ser. nr.: 519
214	048939	Pompa scarico	Drain pump	60hz - i,q - Up to ser.: 520
214	0L0527	Pompa scarico	Drain pump	60hz - i,q - From ser.: 521
215	049877	Manicotto asp scarico	Coupling; drain	
217	049856	Tubo Scarico	Drain pipe	a,b,e,f,h,l,n,t,v
218	049878	Tubo Scarico	Drain pipe	c,d,g,k,m,o,p,i,q,r,s,u,z,w,x
222	049537	Assieme filtro vasca	Tank filter assembly	n,o,p
229	046878	Fascetta 35-50	Hose clamp 35-50	
230	048853	Nasello per vasca	Spigot; air relief	
231	049268	Dado ES.M14X1,5	Nut; M14x1,5	
232	068642	OR 3062; 2,62X15,54	O Ring	
233	046946	Fasc. Torro. W2 8-12/7,5 IVP	Hose clamp 8-12	
235	049291	Ass tubo Lavaggio	Hose	Up to ser nr.: 244
235	0L0125	Ass tubo Lavaggio	Hose	From ser. nr.: 245
236	049849	Tappo ingresso det.	Plug inlet det.	
		<b>Pagina 4: Circuito idraulico</b>	<b>Page 4: Hydraulic circuit</b>	<b>ill. 612003p4A</b>
301	048834	Assieme filtro	Filter assembly	
302	046925	Guarnizione	Gasket	
304	048816	Tubo alimentazione	Supply pipe	not for "r,u"
304	049540	Tubo alimentazione	Supply pipe	r,u

<b>LAVASTOVIGLIE SOTTOTAVOLO LS5 / WT4 UNDERCOUNTER DISHWASHER LS5 / WT4</b>				<b>Grassetto = variazioni Bold Print = changes</b>
<b>Pos.</b>	<b>Cod.ric. Part No.</b>	<b>Descrizione</b>	<b>Description</b>	<b>Note / Notes</b>
305	048817	Elettrovalvola	Electrovalve	
306	048126	Fascetta 13-20	Hose clamp 13-20	
307	048531	Tubo	Hose	
309	049332	Valvola DVGW, compl.	DVGW Valve, compl.	
310	049958	Boiler	Boylor	Up to ser. nr.: 327
310	0L0352	Boiler	Boylor	From ser. nr.: 328
312	048195	Raccordo 3 vie	3 way connection	
313	049290	Supporto getti, inferiore	Jets support, lower	
314	048236	Guarnizione	Gasket	
315	048330	Ghiera, fiss. supporto getti	Ring nut, jets support locking	
316	048820	Parzializzatore	Flow reducer	
317	048979	Anello seger	C-Clamp	
318	046878	Fascetta 38-50	Hose clamp 38-50	
319	049291	Tubo collegamento getti	Connection pipe for wash jets	Up to ser nr.: 244
319	0L0125	Tubo collegamento getti	Connection pipe for wash jets	From ser. nr.: 245
320	048823	Guarnizione	Gasket	Up to ser nr.: 244
320	0L0110	Guarnizione Supp. Getti Sup.	Gasket	From ser. nr.: 245
321	048824	Ghiera	Ring nut	
322	047473	O-Ring 2056- 1,78x14,00	O-Ring	
323	049292	Perno, per supporto getti	Pin, for jets support	
324	049293	Assieme mozzo, per getti	Hub assembly, for jets	
325	047282	Rondella di fermo	Lock washer	
326	049294	Protezione rondella	Washer bracket	
327	049295	Assieme getto di lavaggio	Wash jet assembly	
328	049296	Tappo, per getti lavaggio	Plug, for wash jets	
329	049297	Getto risciacquo, lungo	Rinse jet, long	
330	049298	Getto risciacquo, corto	Rinse jet, short	
331	049299	Tappo, per getti risciacquo corti	Plug, for short rinse jets	
332	049975	Contenitore brillantante	Rinse aid container	Not for "w,x"- Up to Ser. N. 649
333	049022	Filtro, per portagomma	Filter, for pipe nipple	Not for "w,x" - Up to Ser. N. 649
334	067292	Guarnizione	Gasket	
335	049026	Portagomma, per brillantante	Pipe nipple, for rinse aid	Not for "w,x"- Up to Ser. N. 649
336	048883	Tubo	Pipe	
337	046946	Fascetta 8-12	Hose clamp 8-12	
338	049484	Dosatore brillantante	Rinse aid dispenser	Not for "w,x"- Up to Ser. N. 649
339	049881	Pressostato	Pressure switch	
340	048308	Trappola d'aria per pressost.	Air trap	
341	049904	Tubo	Hose	
342	068642	OR 2062x15.54	O Ring	
343	049268	Dado M14x1.5	Nut; M14x1,5	
344	0L0094	Dosatore idraulico	Rinse aid dispenser	w,x - Up to Ser. Nr.: 649
344	0L0094	Dosatore idraulico	Rinse aid dispenser	For all - From Ser. Nr.: 650
357	047986	O-Ring 2050- 1,78x12,42	O-Ring	
360	0L0696	Pompa detergente	Pump; detergent	w,x
361	049801	Iniettore detergente	Iniection spigot	w,x



LAVASTOVIGLIE SOTTOTAVOLO LS5 / WT4 UNDERCOUNTER DISHWASHER LS5 / WT4				Grassetto = variazioni Bold Print = changes
Pos.	Cod.ric. Part No.	Descrizione	Description	Note / Notes
		<b>Pagina 5: Componenti elettrici</b>	<b>Page 5: Electrical components</b>	<b>ill. 612003p5.ai</b>
401	0L0047	Interfaccia utente	User Interface	Up to ser. nr.: 421
401	0L0552	Interfaccia utente	User Interface	From ser. nr.: 422 Up to ser. nr.: 523
401	0L0726	Interfaccia utente	User Interface	From ser. nr.: 524 Up to ser. nr.: 622
401	0L1241	Interfaccia utente	User Interface	From ser. nr.: 623 Up to ser. nr.: 742
401	0L1565	Interfaccia utente	User Interface	From ser. nr.: 743
402	002670	Prolunga pulsante	Extension	Up to ser.nr.: 742
403	049621	Sensore reed	Sensor	
404	049957	Cruscotto	Control panel	Up to ser nr.: 244
404	0L0128	Cruscotto	Control panel	Not for "r,u,w,x" From ser nr.: 245 Up to ser. nr.: 806
404	0L0129	Cruscotto	Control panel	r,u,w,x - Up to ser. nr.: 806
404	0L1667	Cruscotto	Control panel	From ser nr.: 807
405	049986	Membrana adesiva Alpeninox	Membrane Alpeninox	l,m - Up to ser. nr.: 806
405	0L1663	Membrana adesiva neutra	Neutral membrane	l,m - From ser. nr.: 807
405	0L0159	Membrana adesiva Franstal	Membrane	n,o,s,t
405	049956	Membrana adesiva Zanussi	Membrane	f,g,h,k,q - Up to ser. nr.: 806
405	0L1663	Membrana adesiva neutra	Neutral stick membrane	f,g,h,k,q - From ser. nr.: 807
405	0L1261	Membrana adesiva UC5/1 DITO	Membrane UC5/1 DITO	v,z - Up to ser. nr.: 806
405	0L1663	Membrana adesiva UC5/1 DITO	Membrane UC5/1 DITO	v,z - From ser. nr.: 807
405	049982	Membrana adesiva Electrolux	Membrane Electrolux	a,b,c,d,e,i - Up to ser. nr.: 806
405	0L1661	Membrana adesiva Electrolux	Membrane Electrolux	a,b,c,d,e,i - From ser. nr.: 807
405	049984	Membrana adesiva LS5 UK	Membrane LS5 UK	w - Up to ser. nr.: 806
405	0L1661	Membrana adesiva LS5 UK	Membrane LS5 UK	w - From ser. nr.: 807
405	049961	Membrana adesiva Zanussi UK	Membrane Zanussi UK	r,u,x - Up to ser. nr.: 806
405	0L1663	Membrana adesiva neutra	Neutral membrane	r,u,x - From ser. nr.: 807
405	0L0327	Membrana adesiva Dito	Membrane Dito	p - From ser. nr.: 322
406	0L1567	Copertura interfaccia utente	User interface cover	From ser. nr.: 743
407	0L1664	Adesivo Zanussi	Sticker Zanussi	f,g,h,k,q,r,u
407	0L1665	Adesivo Alpeninox	Sticker Alpeninox	l,m,x
407	0L1666	Adesivo DITO	Sticker DITO	v,z
<b>409</b>	<b>0L1412</b>	<b>Scheda madre</b>	<b>Main board</b>	<b>b,d,e,h,k,l,m,n,o,s,t</b> <b>Up to Ser. Nr.: 820</b>
<b>409</b>	<b>0L1811</b>	<b>Scheda madre</b>	<b>Main board</b>	<b>b,d,e,h,k,l,m,n,o,s,t</b> <b>From Ser. Nr.: 821</b>
<b>409</b>	<b>0L1410</b>	<b>Scheda madre</b>	<b>Main board</b>	<b>a,c,f,g,p,i,q,r,u,v,z,w,x</b> <b>Up to Ser. Nr.: 820</b>
<b>409</b>	<b>0L1810</b>	<b>Scheda madre</b>	<b>Main board</b>	<b>a,c,f,g,p,i,q,r,u,v,z,w,x</b> <b>From Ser. Nr.: 821</b>
410	049303	Filtro RFI trifase	RFI filter; three phase	
411	049981	Morsettiera Princ. Monofase	Junction box	a,c,f,g,p,i,q,r Up to ser nr.: 244

<b>LAVASTOVIGLIE SOTTOTAVOLO LS5 / WT4 UNDERCOUNTER DISHWASHER LS5 / WT4</b>				<b>Grassetto = variazioni Bold Print = changes</b>
<b>Pos.</b>	<b>Cod.ric. Part No.</b>	<b>Descrizione</b>	<b>Description</b>	<b>Note / Notes</b>
411	0L0127	Morsettiera Princ. Monofase	Junction box	a,c,f,g,p,i,q,r,u,v,z,w,x From ser nr.: 245
411	049618	Morsettiera Princ. Trifase	Junction box	b,d,e,h,k,l,m,n,o,s,t Up to ser nr.: 244
411	0L0111	Morsettiera Princ. Trifase	Junction box	b,d,e,h,k,l,m,n,o,s,t From ser nr.: 245
412	048429	Fissaggio Res. Vasca	Bracket	
413	049954	Res. Vasca 2200W-230V	Heating element; 230v, 2,2kw	
414	049580	Supp Sensore NTC	Support; sensor	Up to ser. nr.: 329
414	0L0366	Supp Sensore	Support; sensor	From ser. nr.: 330
415	046376	OR 2037	O Ring	
416	049643	Sensore NTC	Sensor	
418	067620	OR 6187 D=5.34MM	O Ring	
419	049955	Res. Flangiata 4500W 230V	Heating element 4,5KW 230V	b,d,e,h,k,l,m,n,o,s,t
419	049980	Res. Flangiata 2800W 230V	Heating element 2,8KW 230V	a,c,f,g,p,i,q,r,u,v,z,w,x
420	067898	OR 2025-1,78X6,07	O Ring	Up to ser. nr.: 327
420	046376	OR 2037	O Ring	From ser. nr.: 328
421	067899	Premistoppa	Stuffing box	Up to ser. nr.: 327
421	0L0280	Premistoppa	Stuffing box	From ser. nr.: 328
422	049884	Sonda di Temperatura	Temp. sound	Up to ser. nr.: 327
422	049643	Sonda di Temperatura	Temp. sound	From ser. nr.: 328
423	065560	Cappuccio	Protection cap	
425	049901	Filtro induttivo-cap.; monofase	Filter; single phase	
490	049979	Cablaggio	Wiring harness	a,c,f,g,p,i,q,r,u,v,z,w,x
490	0L0049	Cablaggio	Wiring harness	b,d,e,h,k,l,m,n,o,s,t