

Ovens PlatformViale Treviso, 15
33170 Pordenone - Italy
Fax: +39 0434-380577**6 GN 1/1 GAS STEAM - CONVECTION OVEN
FORNO CONVEZIONE- VAPORE GAS 6 GN 1/1**

PNC	Model	Ref.	Page	Notes
260 550	AOS061GA			

Index**Index**

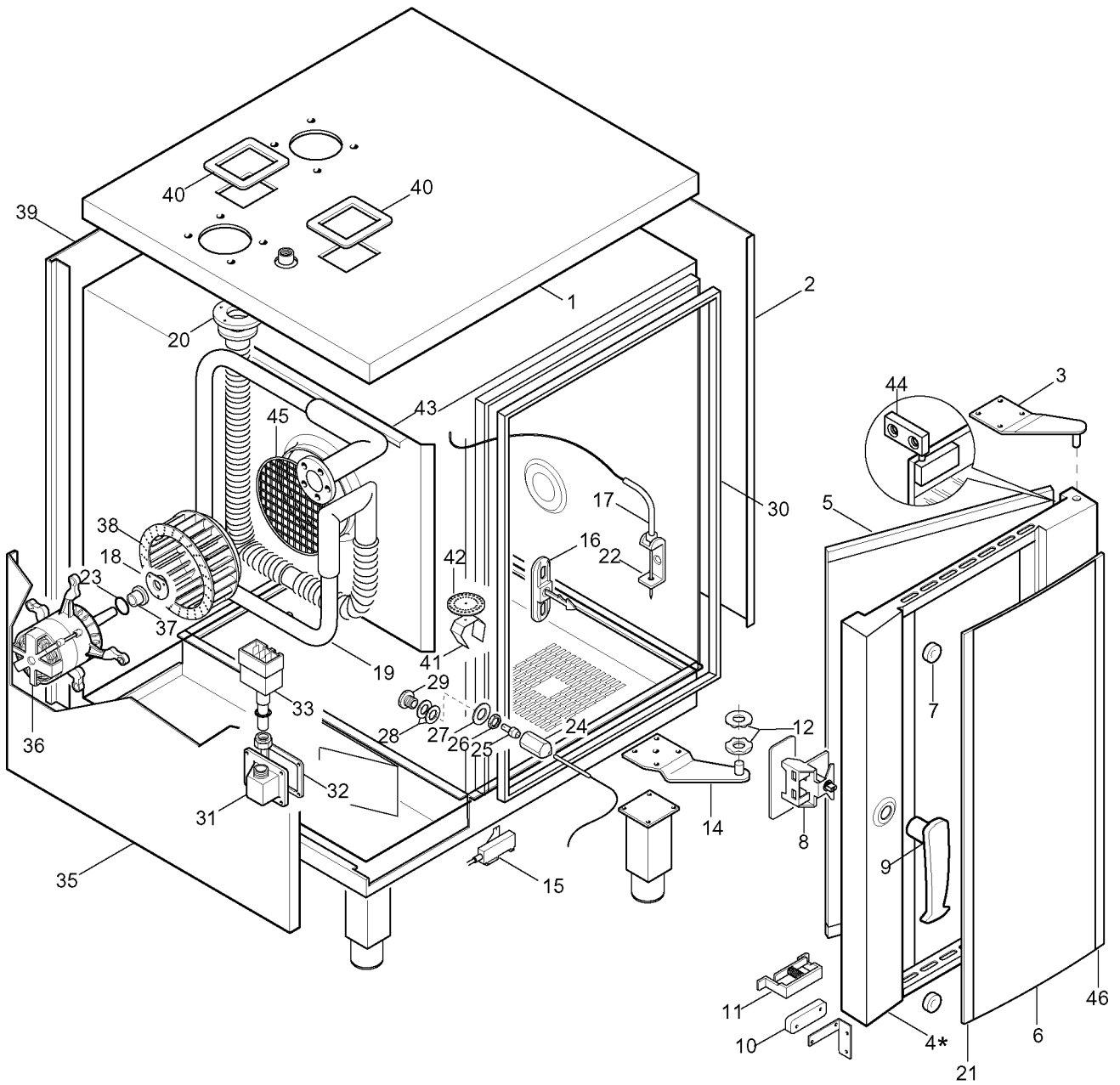
Pag. 2	Oven cabinet and door
3	Water system
4	Boiler and gas system
5	Electrical components
6	Tray support
7-9	Spare part list

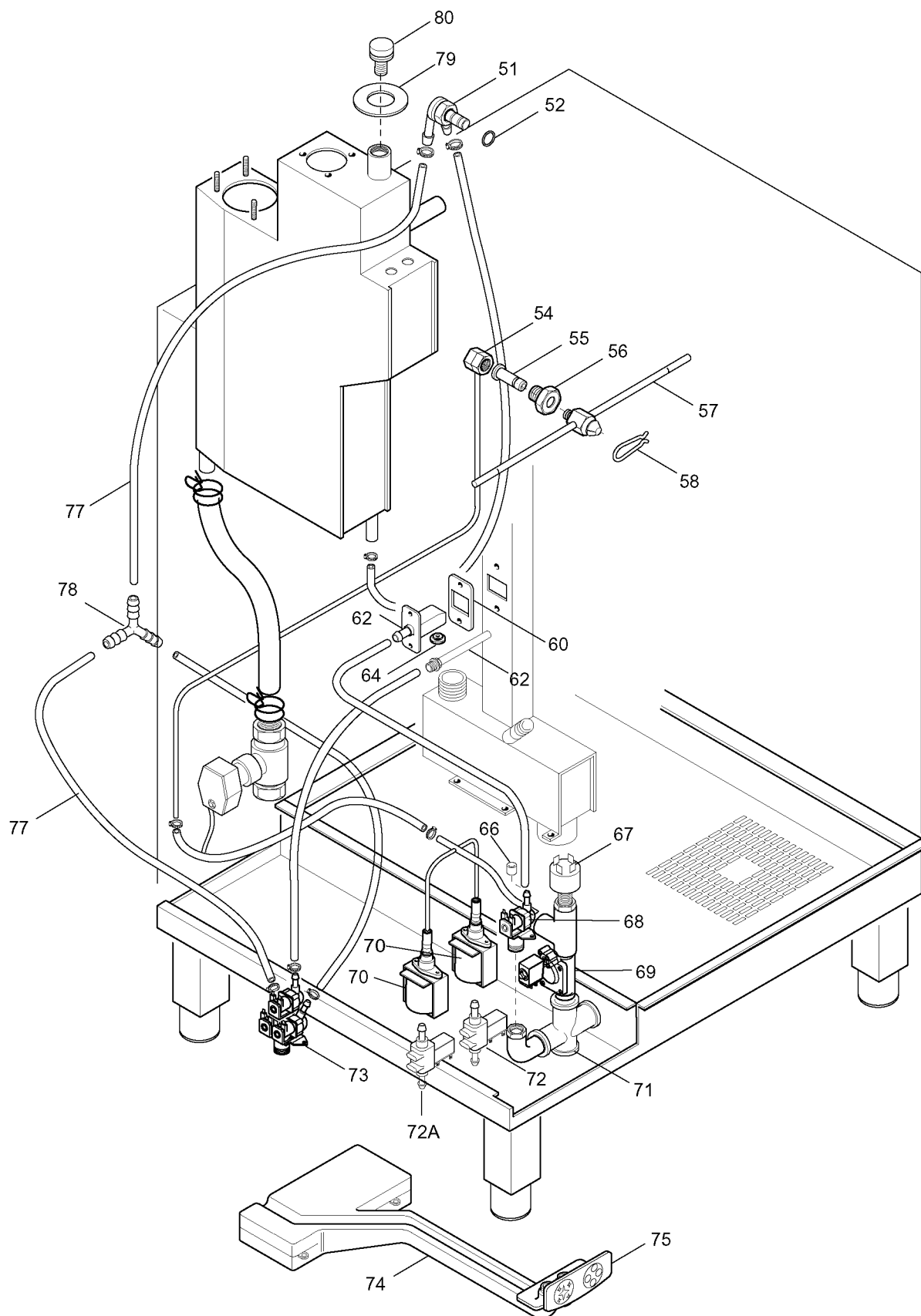
Indice**Indice**

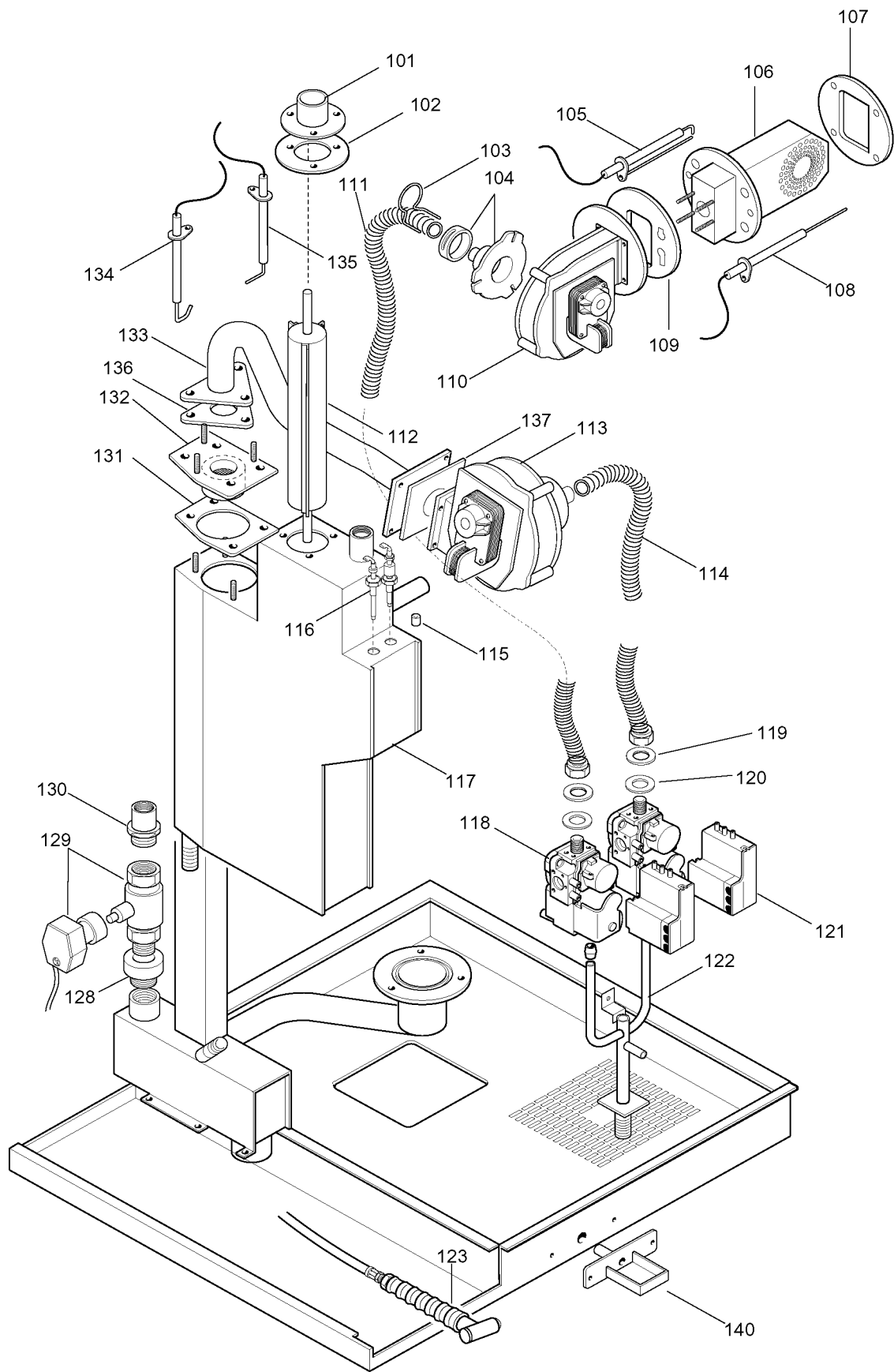
Cella forno e porta
Impianto idraulico
Boiler e impianto gas
Componenti elettrici
Struttura portateglie
Lista ricambi

Brand / Marchio: Electrolux
Factory code:

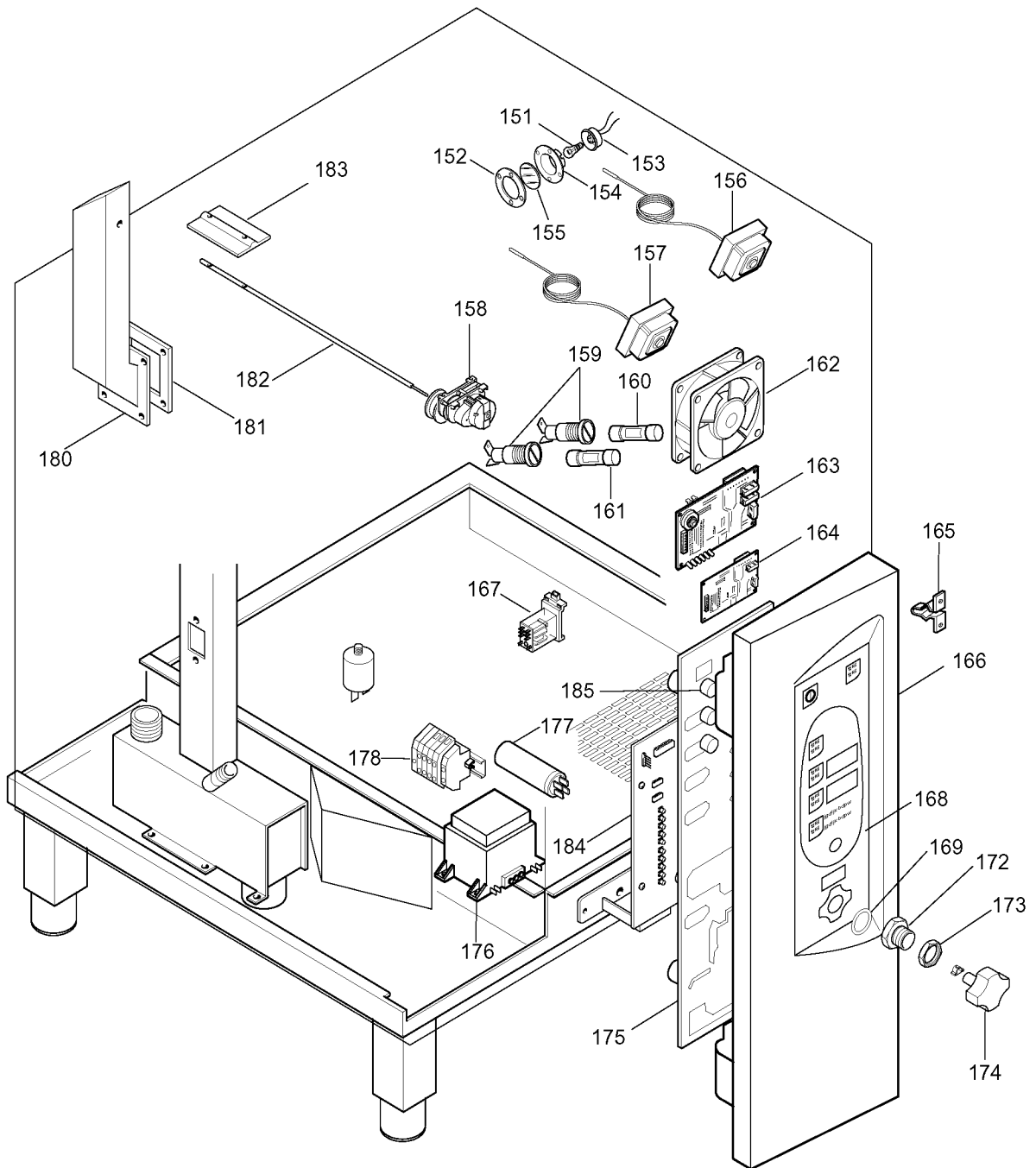
OS / DOC

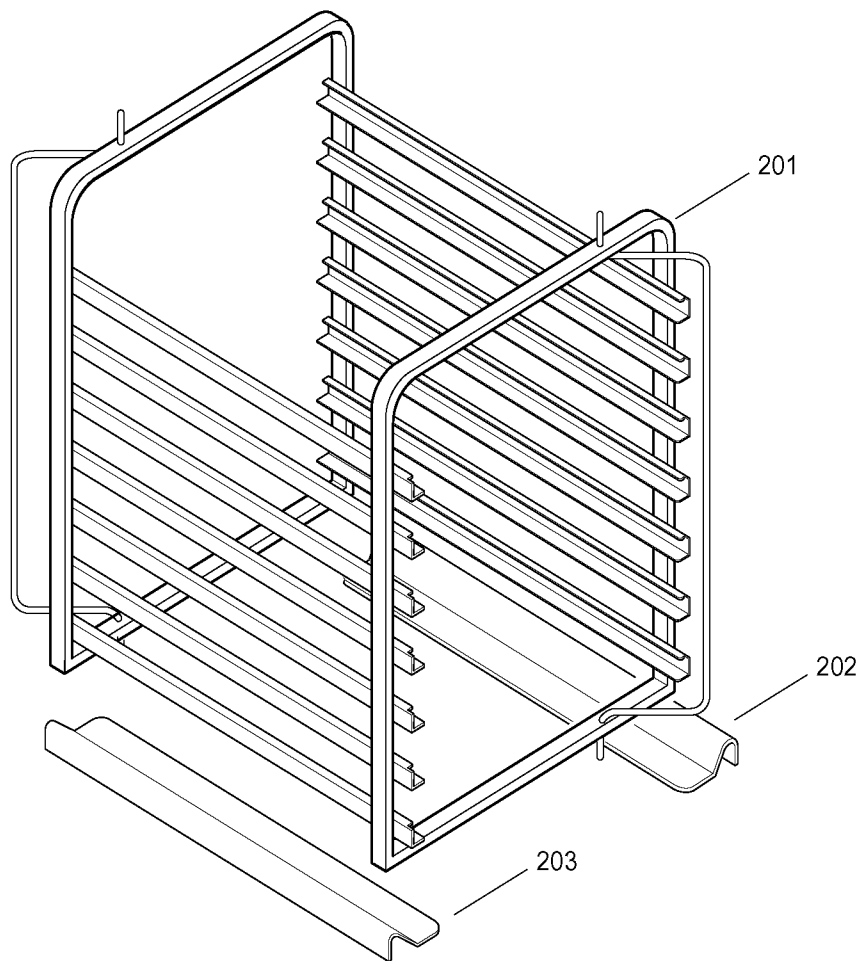






GAS	AERATORE/AERATOR		DIAFRAMMA/DIAPHRAGM	
	POS. 104 CELLA/CAVITY	POS. 104 BOILER	POS. 120 CELLA/CAVITY	POS. 120 BOILER
G20	0C1081 (GIALLO/YELLOW)	0C1081 (GIALLO/YELLOW)	0C1161 (ø 6.5)	0C1161 (ø 6.5)
G25	0C1081 (GIALLO/YELLOW)	0C1081 (GIALLO/YELLOW)	0C1163 (ø 7.8)	0C1163 (ø 7.8)
G30	0C1081 (GIALLO/YELLOW)	0C1081 (GIALLO/YELLOW)	0C1162 (ø 5.3)	0C1162 (ø 5.3)
LPG	0C1081 (GIALLO/YELLOW)	0C1081 (GIALLO/YELLOW)	0C1162 (ø 5.3)	0C1162 (ø 5.3)





06 GN 1/1 GAS STEAM - CONVECTION OVEN
FORNO CONVEZIONE- VAPORE GAS 06 GN

PNC	Model	Ref.	Page	Notes
260550	AOS061GA 230V	a	2-3-4-5-6	Level/LivelloA
260551	AOS061GB 230V	b	2-3-4-5-6	Level/LivelloB

Index

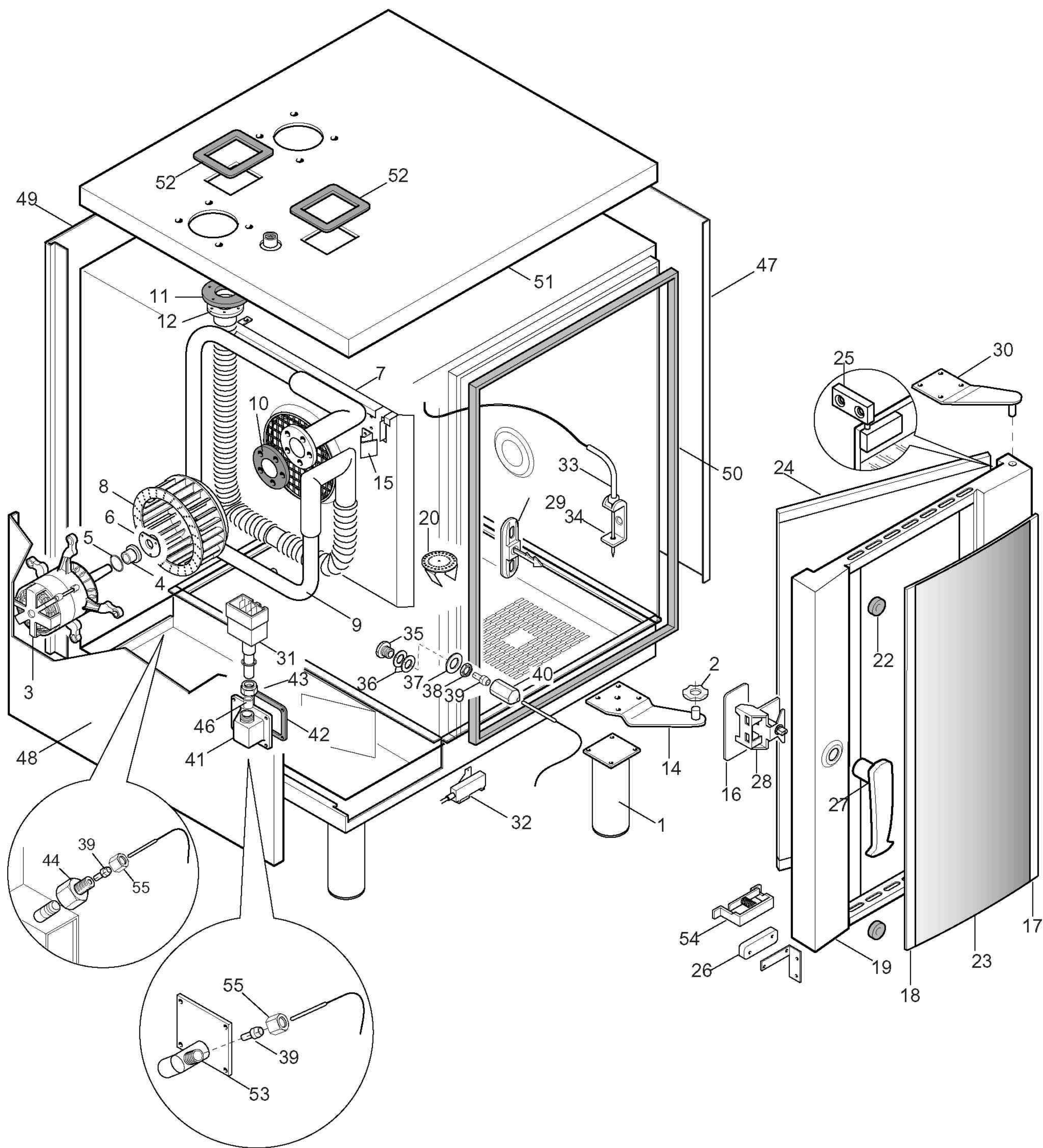
Pag.2	Oven cabinet and door
3	Water system
4	Boiler
5	Electrical components
6	Tray support
7-10	Spare part list

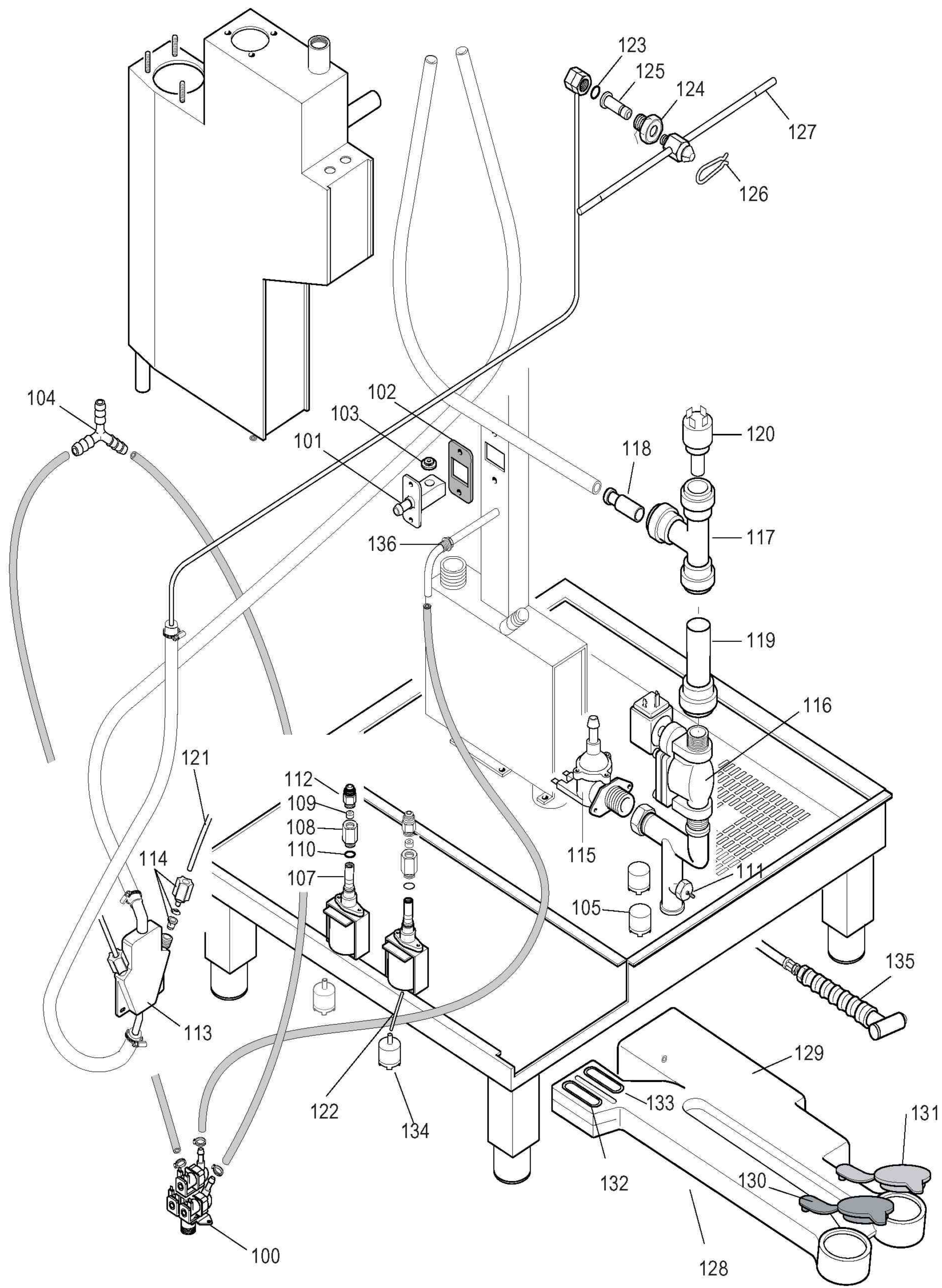
Indice

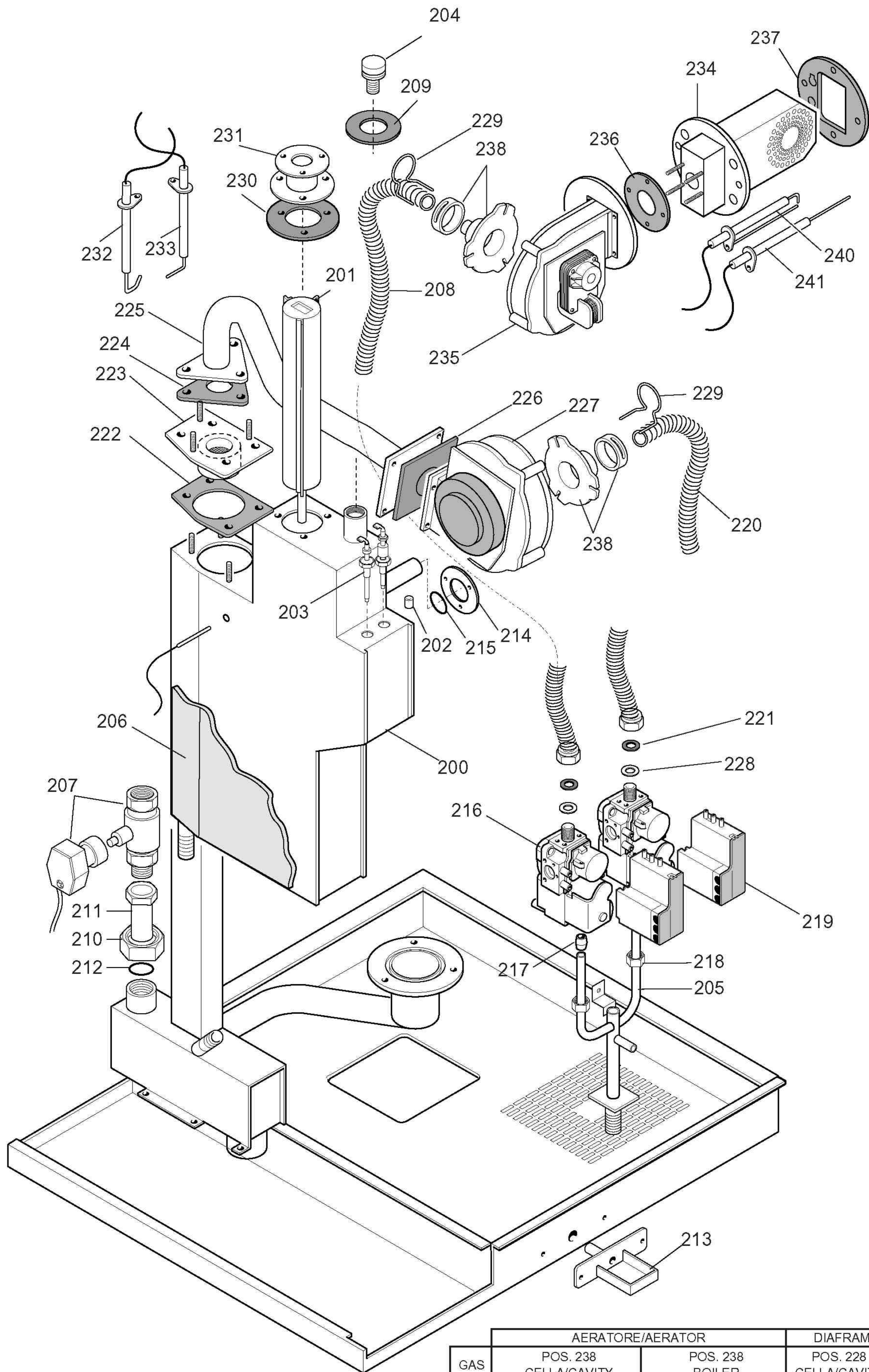
Cella forno e porta
Impianto idraulico
Boiler
Componenti elettrici
Struttura portateglie
Lista ricambi

Brand / Marchio : ELECTROLUX
Factory code: 9PDX

OV / DOC







GAS	AERATORE/AERATOR		DIAFRAMMA/DIAPHRAGM	
	POS. 238 CELLA/CAVITY	POS. 238 BOILER	POS. 228 CELLA/CAVITY	POS. 228 BOILER
G20	0C1081 (GIALLO/YELLOW)	0C1081 (GIALLO/YELLOW)	0C1161 (ø 6.5)	0C1161 (ø 6.5)
G25	0C1081 (GIALLO/YELLOW)	0C1081 (GIALLO/YELLOW)	0C1163 (ø 7.8)	0C1163 (ø 7.8)
G30	0C1081 (GIALLO/YELLOW)	0C1081 (GIALLO/YELLOW)	0C1162 (ø 5.3)	0C1162 (ø 5.3)
LPG	0C1081 (GIALLO/YELLOW)	0C1081 (GIALLO/YELLOW)	0C1162 (ø 5.3)	0C1162 (ø 5.3)

