

Spare Parts List

DISKMASKIN DISHWASHER

GESCHIRRSPÜLMASCHINE

Produktnummer Product number Produktnummer	Spänning Voltage Spannung	Effekt Loading Leistung	Vattentemp. °C Water temp. °C Wassertemp. °C	Torkmedelsdosering Drying agent injector Trockenmittelinjektor	Anm. Notes Anm.
Isolerad modell - Non insulated model - Nicht isolierte Modelle					
975 88 01-02	380V 3N 50	9,0 kW	55-65	x	
975 88 02-01	220V 3 50	13,5 kW	55-65		
975 88 08-01	380V 3 50	9,0 kW	55-65	x	
975 88 09-01	440V 3 60	9,0 kW	55-65	x	
97 60 03 03-01	380V 3N 50	13,5 kW	5-20	x	
97 60 03 05-01	415V 3N 50	13,5 kW	5-20	x	
97 60 03 06-01	380V 3N 50	13,5 kW	5-20	x	
97 60 03 09-01	200V 3 50	9,9 kW	55-65		
97 60 03 10-01	200V 3 60	9,9 kW	55-65		
97 60 03 24-01	380V 3N 50	13,5 kW	5-20	x	
97 60 03 25-02	380V 3N 50	13,5 kW	5-20	x	
97 60 03 30-01	200V 3 50	9,9 kW	55-65		
97 60 03 31-01	200V 3 60	9,9 kW	55-65		
97 60 03 35-01	400V 3N 50	13,5 kW	55-65		
97 60 03 36-01	220V 3 50	13,5 kW	55-65		
97 60 03 40-01	380V 3N 50	9,0 kW	55-65	x	
97 60 03 41-01	380V 3N 50	13,5 kW	5-20	x	
Isolerad modell - Insulated model - Isolierte Modelle					
975 88 21-02	380V 3N 50	9,0 kW	55-65	x	1)
975 88 22-01	220V 3 50	13,5 kW	55-65		1)
975 88 23-01	380V 3N 50	13,5 kW	5-20	x	1)
97 60 04 05-01	380V 3N 50	13,5 kW	5-20	x	1)
97 60 04 19-01	380V 3N 50	9,0 kW	55-65	x	1)
97 60 04 22-02	380V 3N 50	13,5 kW	5-20	x	1)
97 60 04 31-02	380V 3N 50	9,0 kW	55-65	x	1)
97 60 04 32-01	380V 3N 50	9,0 kW	55-65	x	1)
97 60 04 35-01	400V 3N 50	13,5 kW	55-65		1)
97 60 04 36-01	220V 3 50	13,5 kW	55-65		1)
97 60 04 37-01	380V 3N 50	13,5 kW	5-20	x	1)
97 60 04 38-01	380V 3N 50	9,0 kW	55-65	x	1)
97 60 04 39-01	380V 3N 50	6,1 kW	55-65	x	1)
97 60 05 01-01	380V 3N 50	9,0 kW	55-65	x	1)
97 60 05 01-02	380V 3N 50	9,0 kW	55-65	x	1)
97 60 05 02-02	380V 3N 50	9,0 kW	55-65	x	

1) Utvändigt fjädersystem - Outside spring system - Auswendig Federsystem

Sida Page Seite	Innehåll	Contents	Inhalt
3	Huv	Hood	Haube
5-9	Spösystem	Rinsing system	Spüsystem
11	Stativ och plåtar	Base and panels	Gestell und Blech
13	Pump och avlopp	Pump and drain	Pumpe und Ablauf
15-17	El. detaljer	El. details	El. Komponenten
19-21	Genomströmare	Booster heater	Durchlauferhitzer
23	Pump	Pump	Pumpe
25-29	Utvändigt fjädersystem	Outside spring system	Auswendig Federsystem
30-61	Unika detaljer/ produktnummer	Unique parts/ product number	Einzige Teile/ Produktnummer

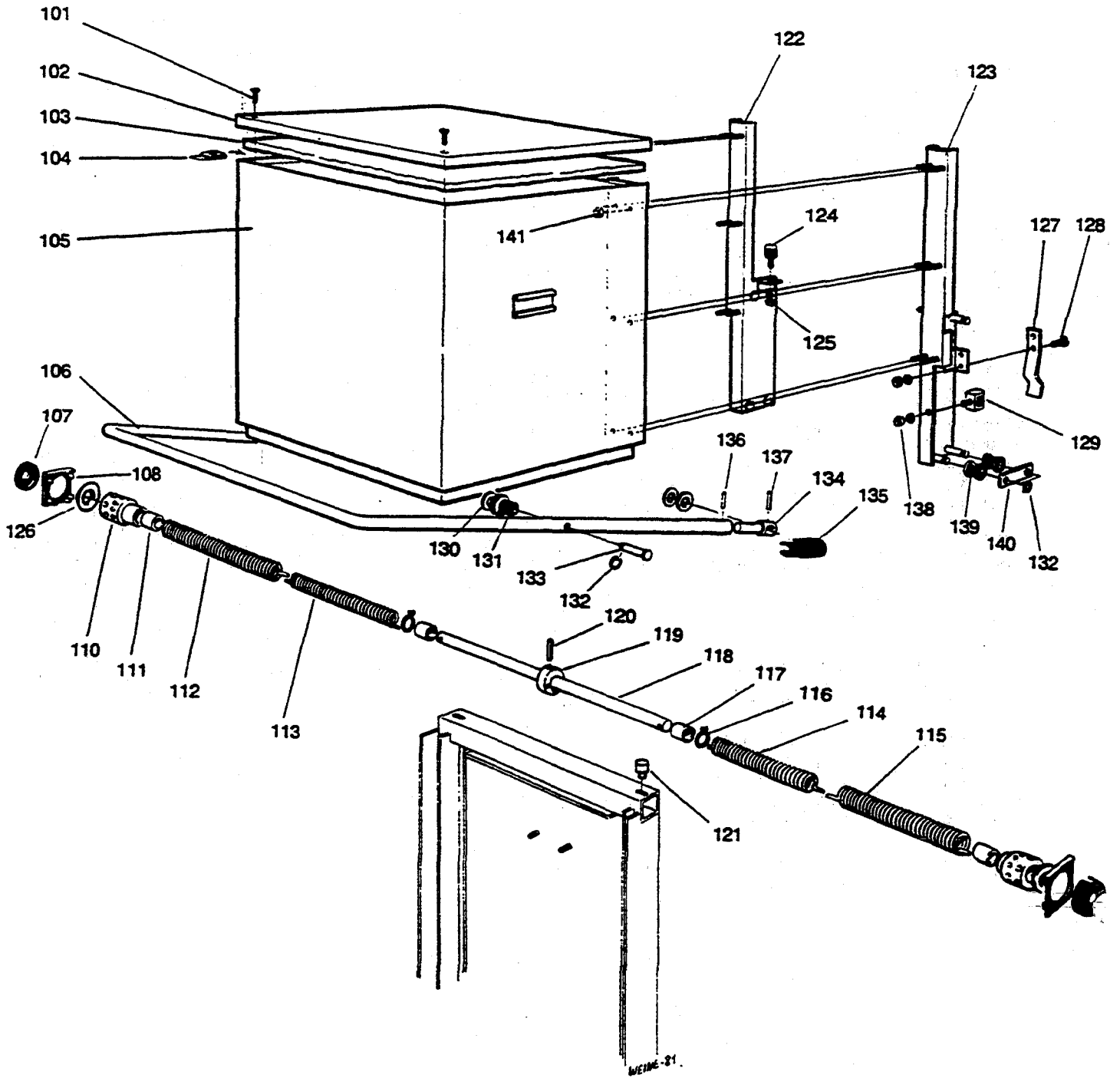


ILLUSTRATION 201 16

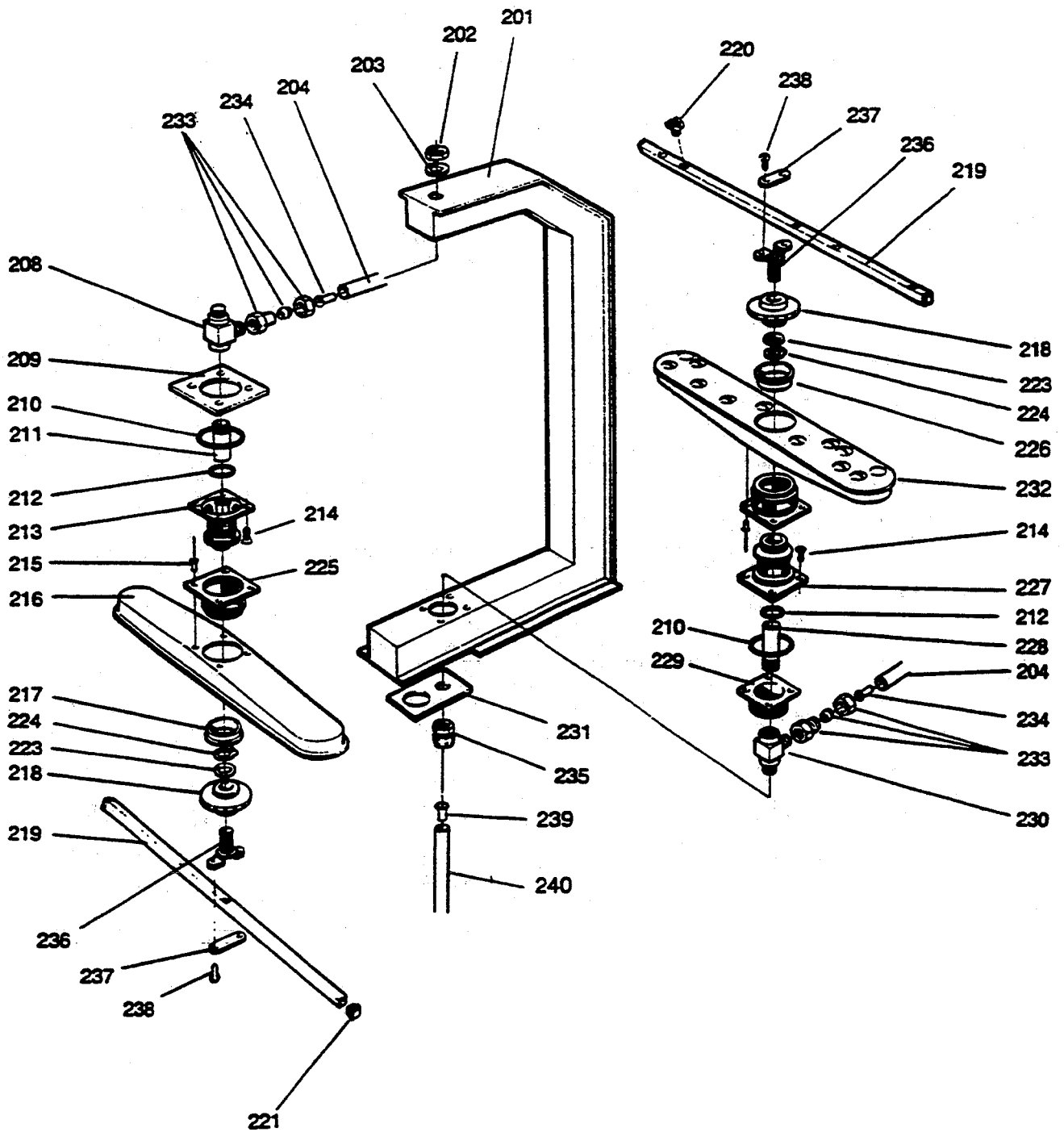


ILLUSTRATION 20855

Prod. no.
97 60 04 39-01

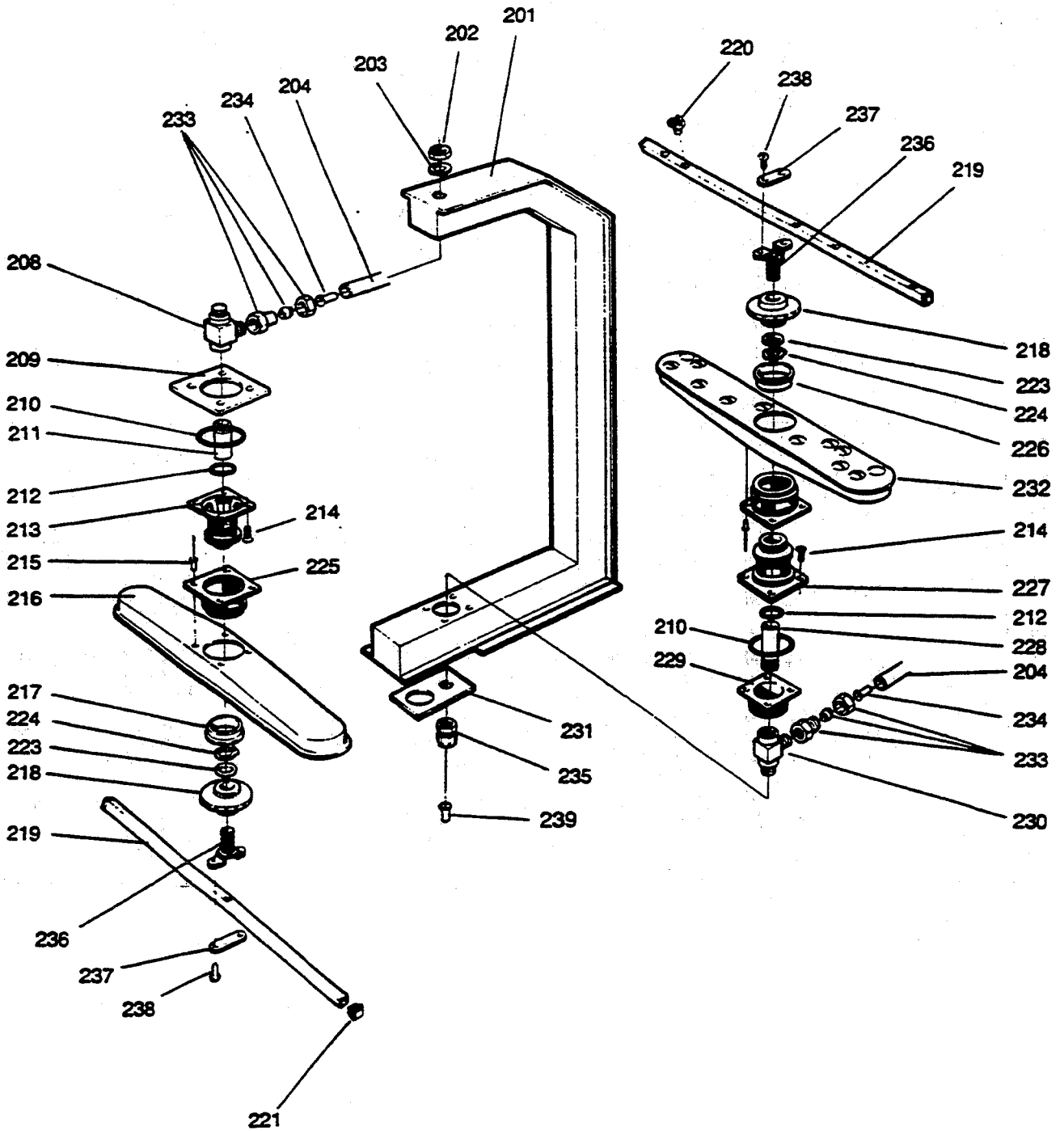
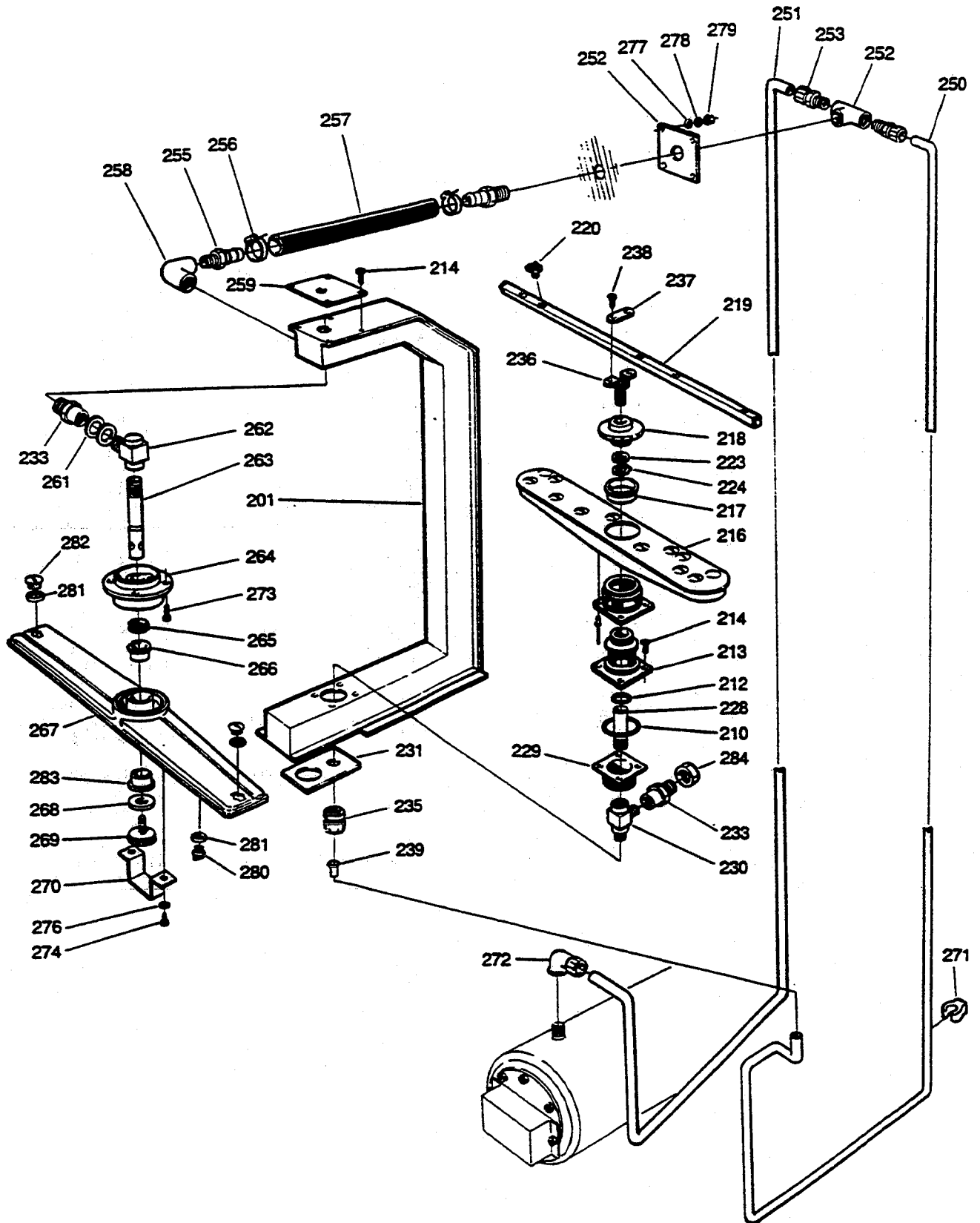


ILLUSTRATION 20855

Prod. no.
97 60 03 25-02
97 60 04 22-02



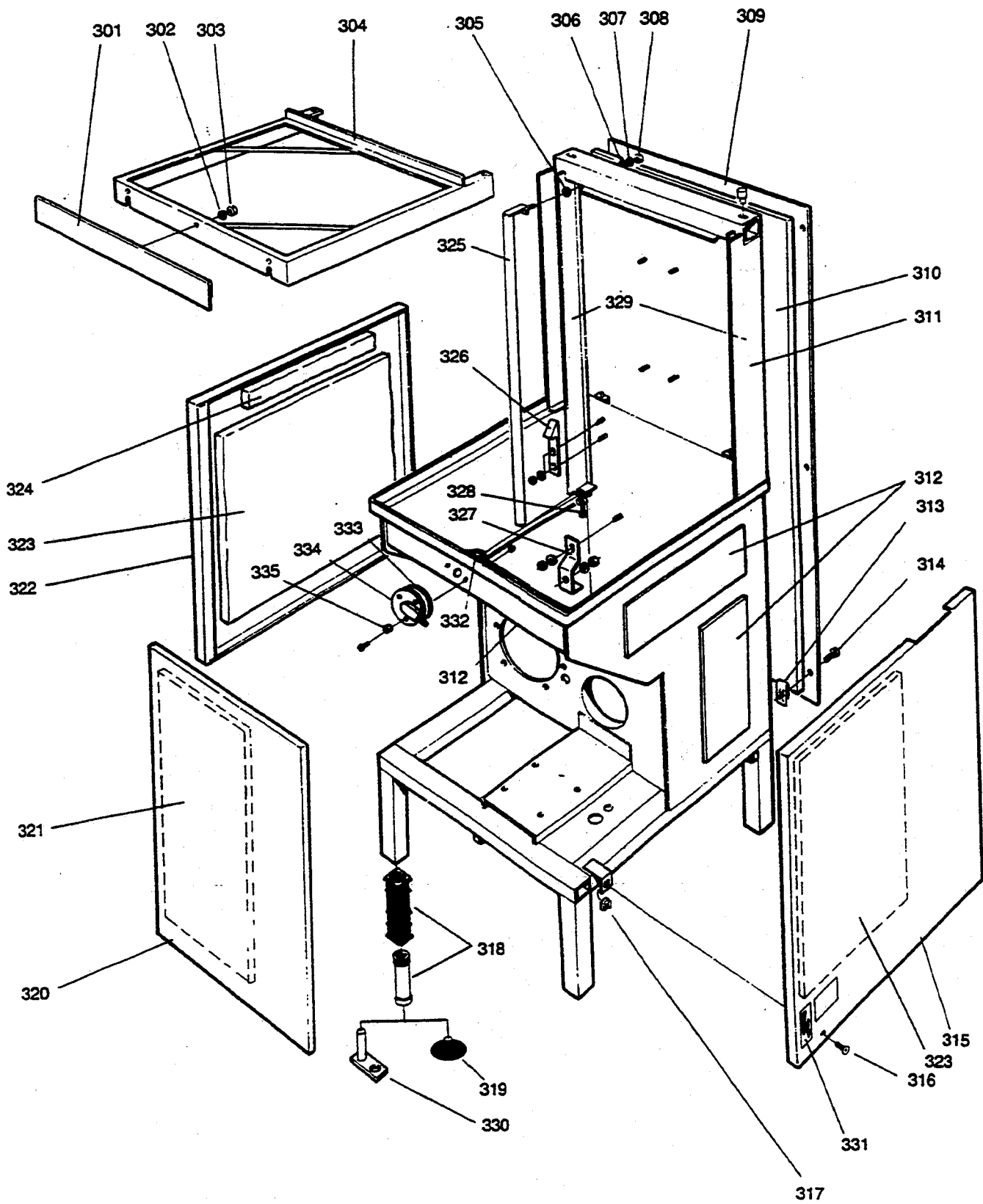
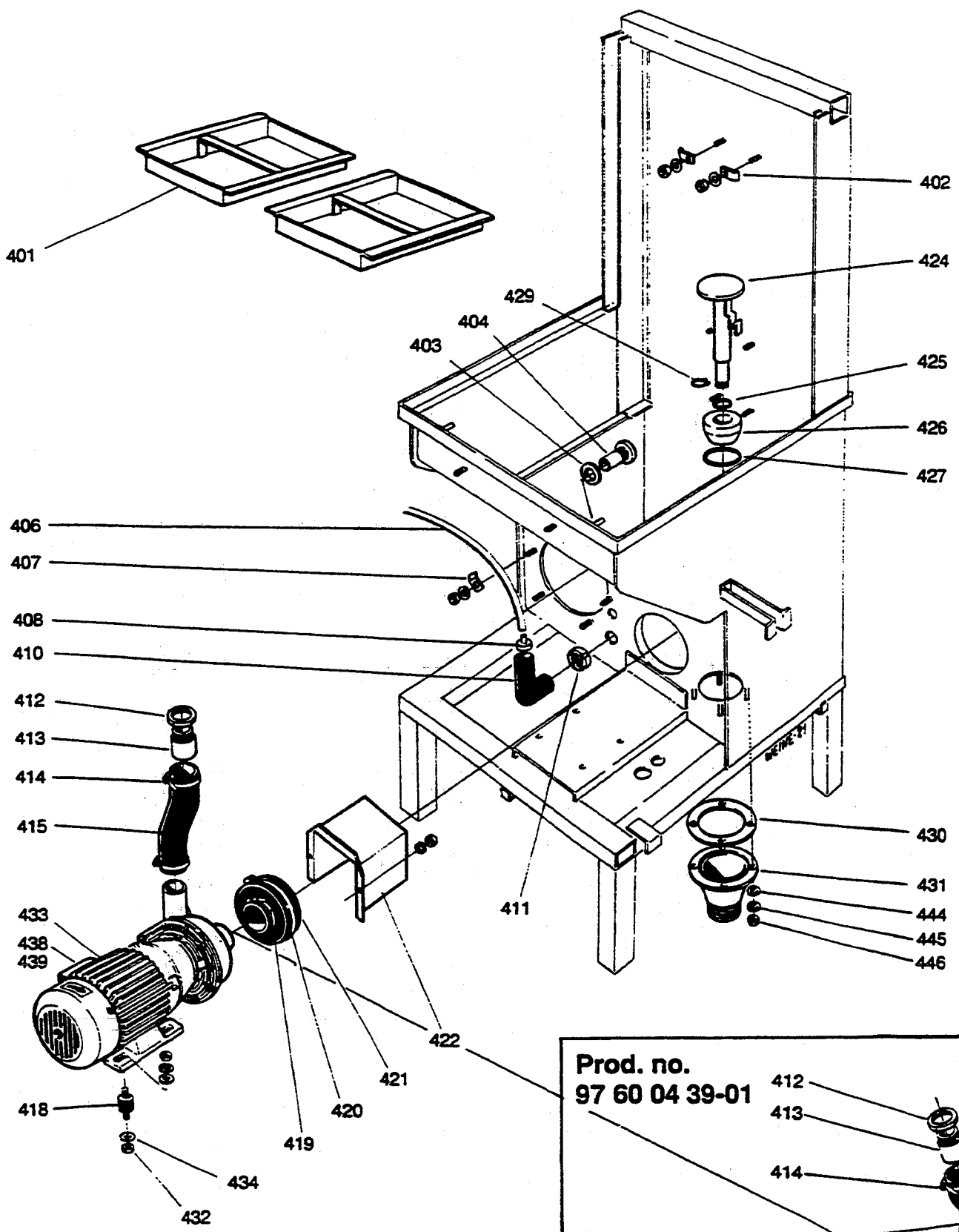
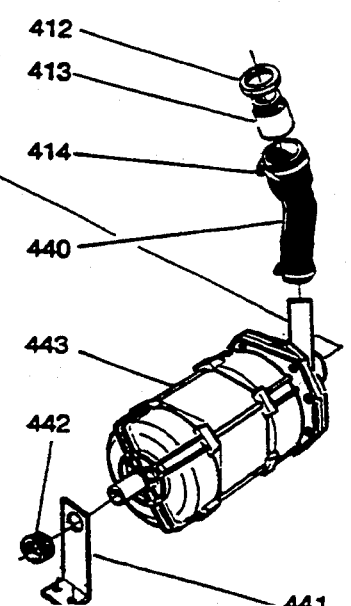


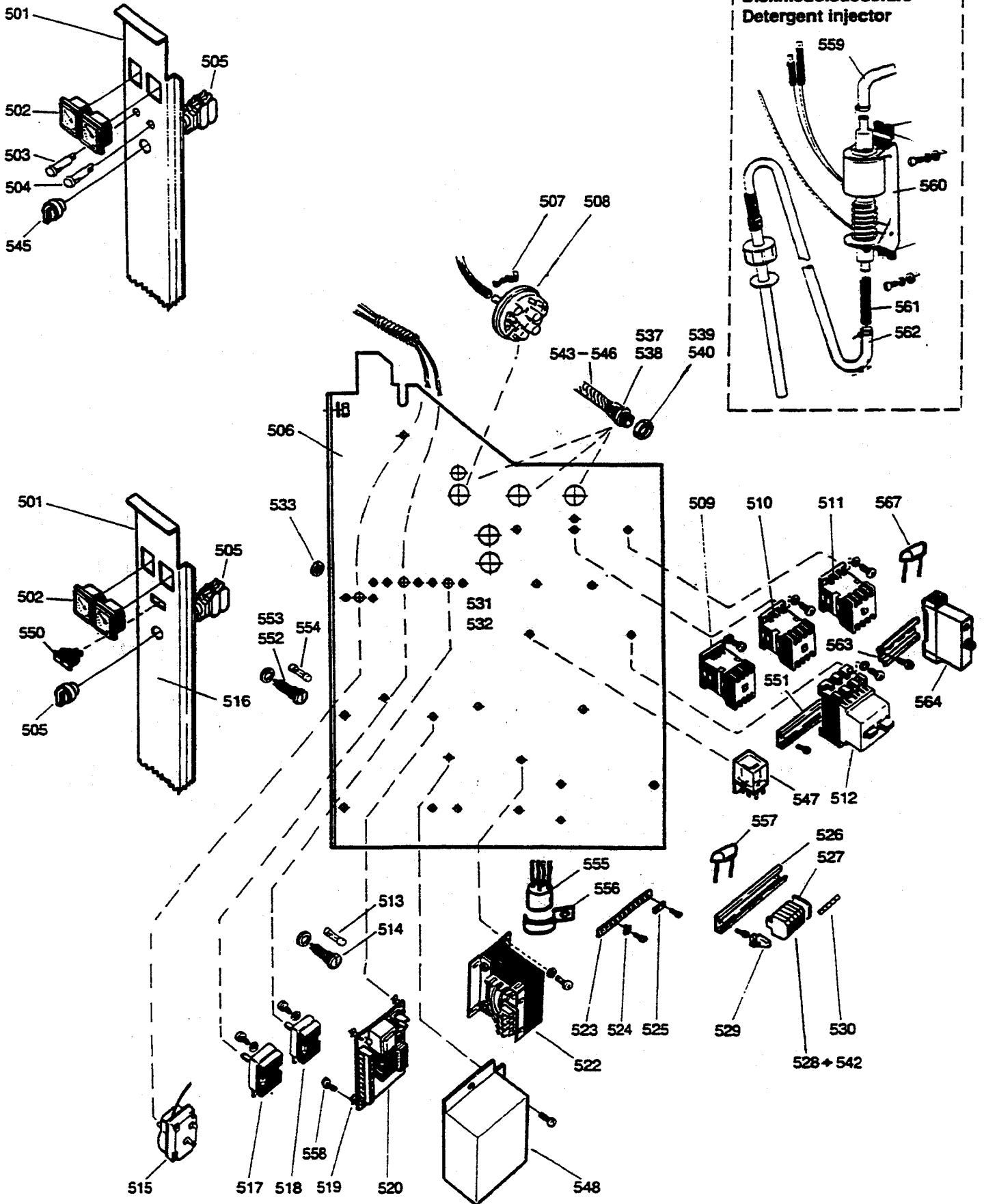
ILLUSTRATION 208 38



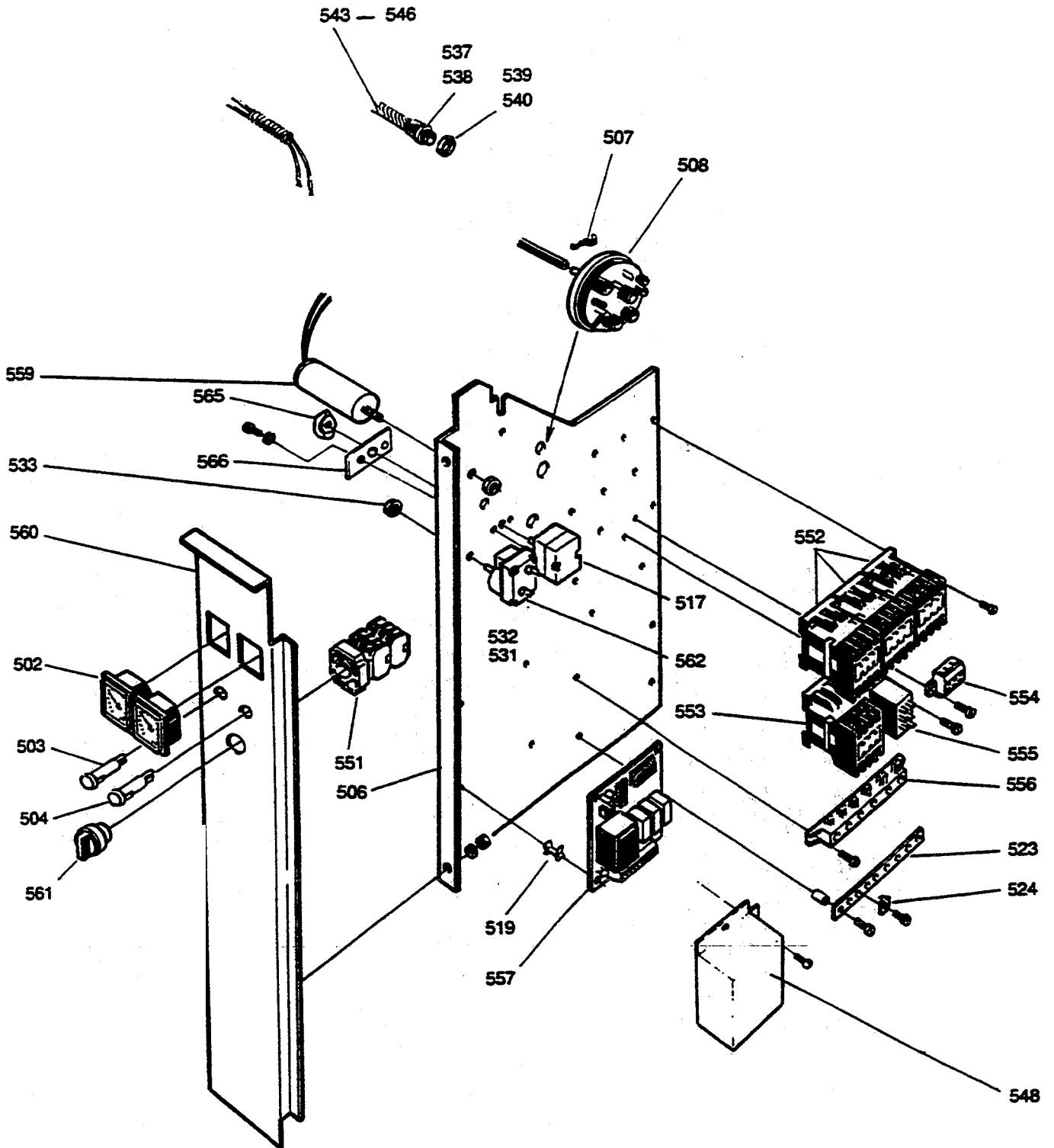
Prod. no.
97 60 04 39-01



Prod. no. 97 60 04 31-02
Diskmedelsdoserare
Detergent injector



Prod. no.
97 60 04 39-01



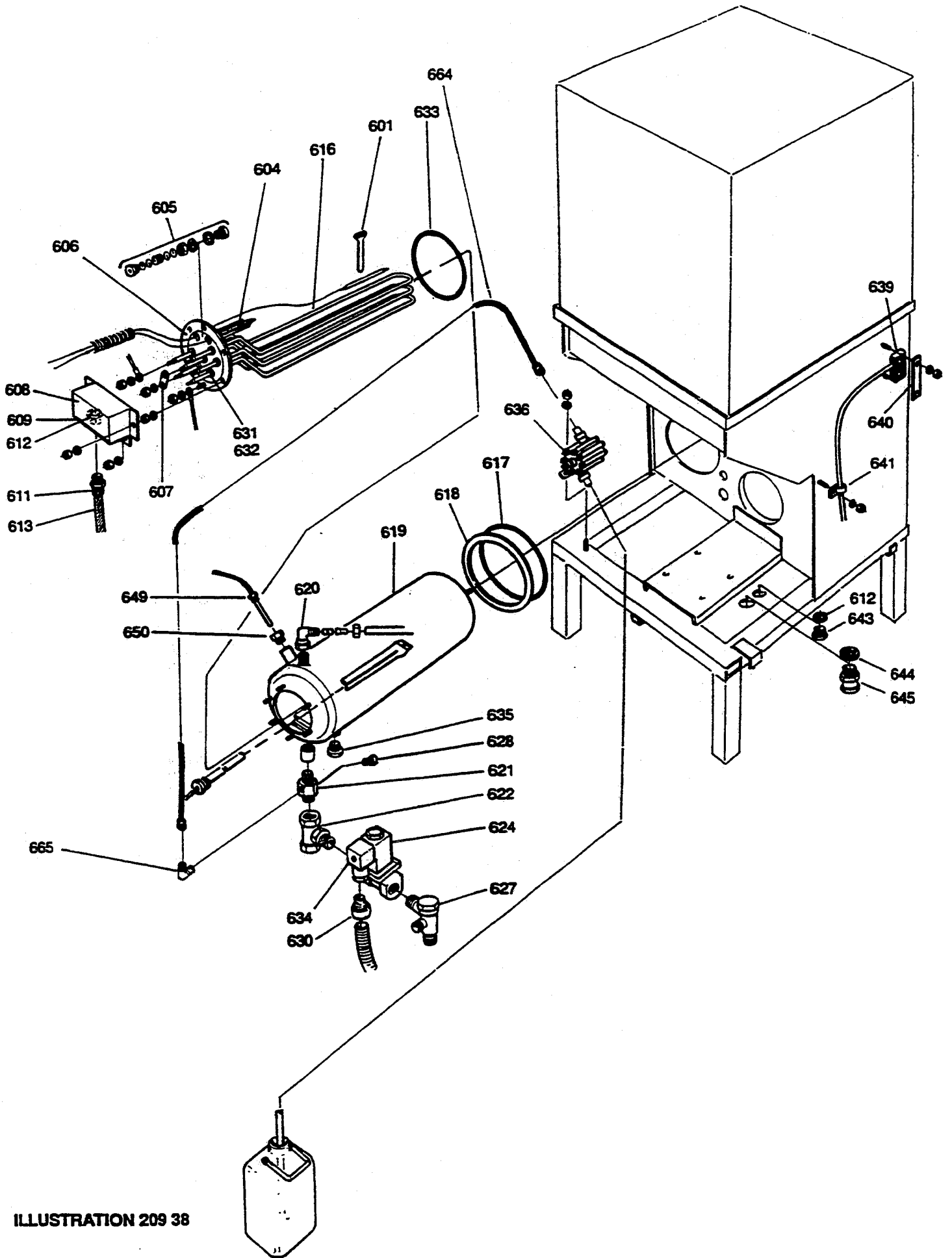
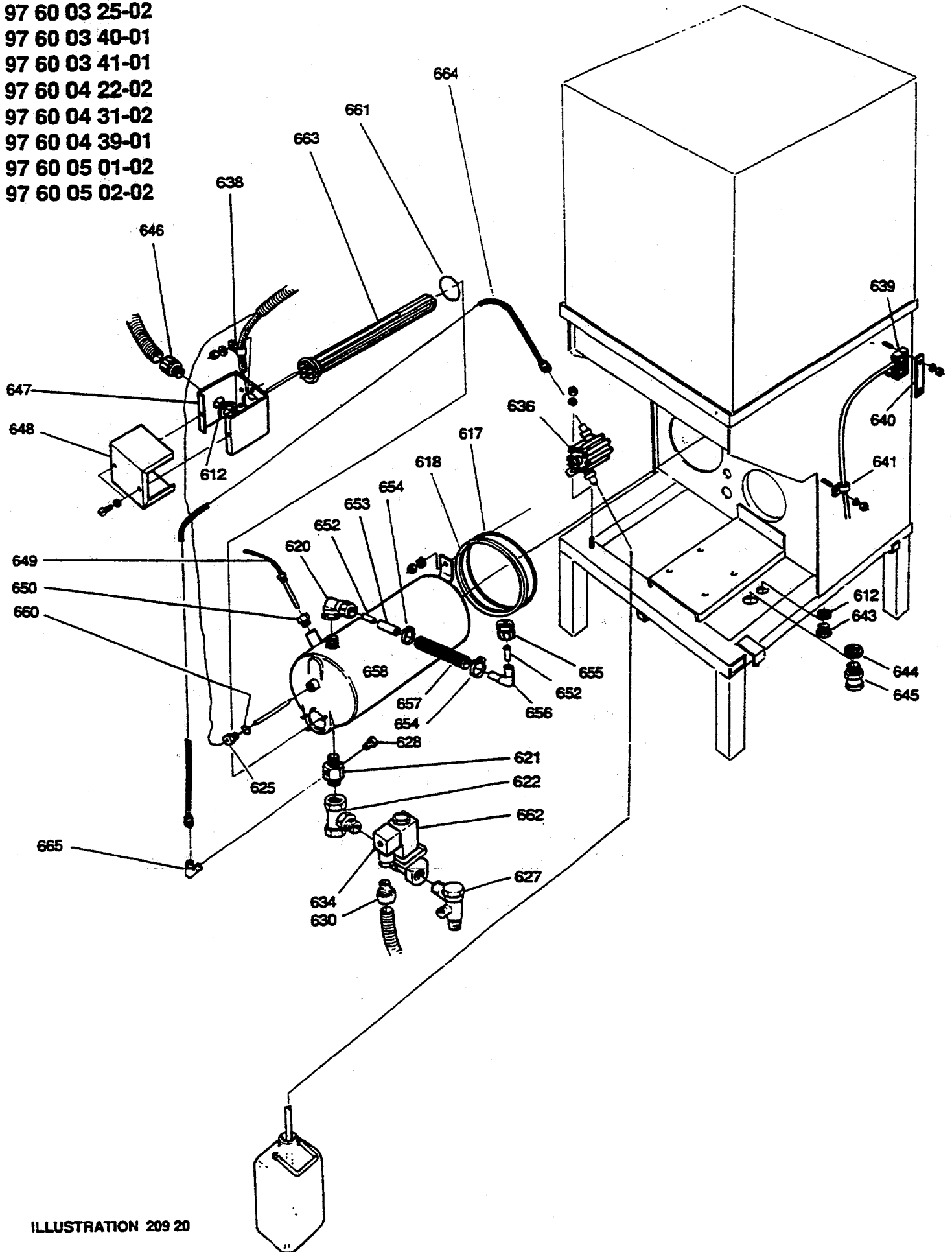
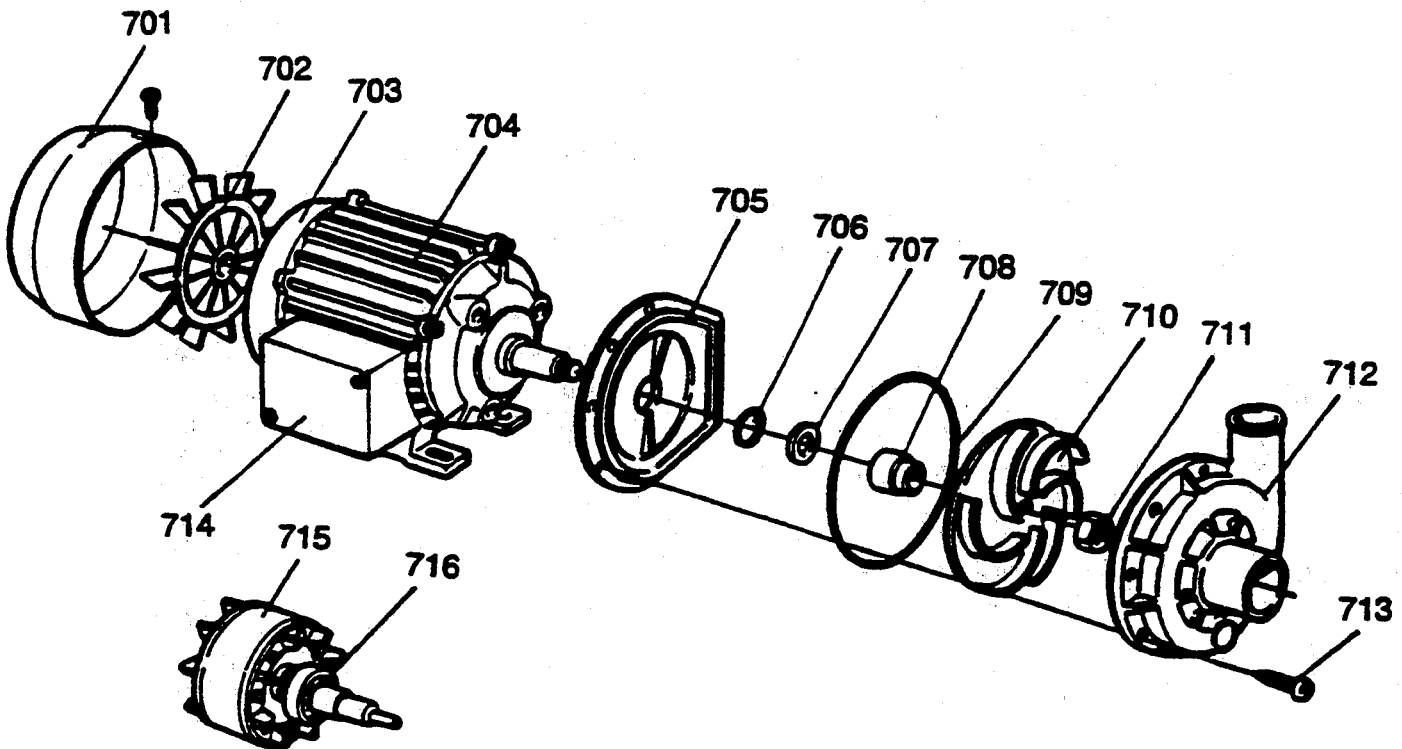


ILLUSTRATION 209 38

Prod. no.

- 975 88 01-02**
- 975 88 21-02**
- 97 60 03 25-02**
- 97 60 03 40-01**
- 97 60 03 41-01**
- 97 60 04 22-02**
- 97 60 04 31-02**
- 97 60 04 39-01**
- 97 60 05 01-02**
- 97 60 05 02-02**





Prod. no.
97 60 05 02-02

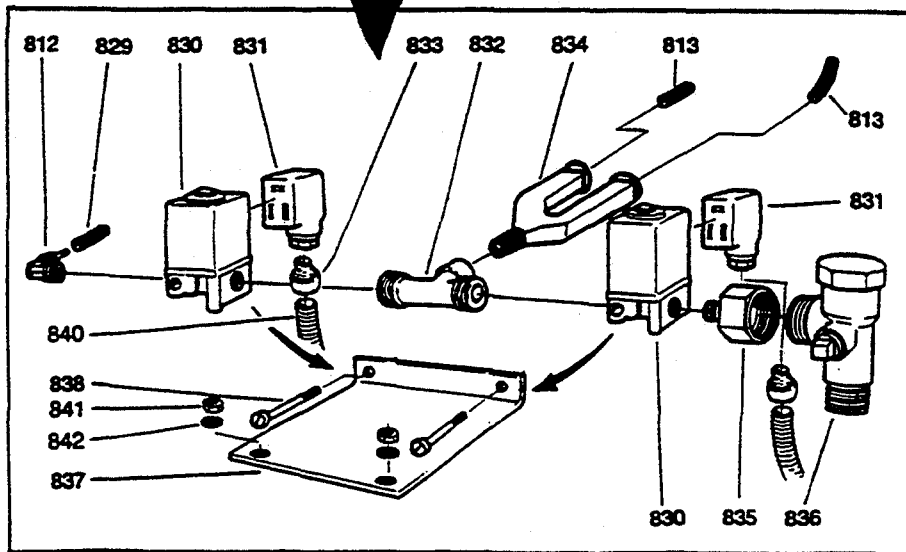
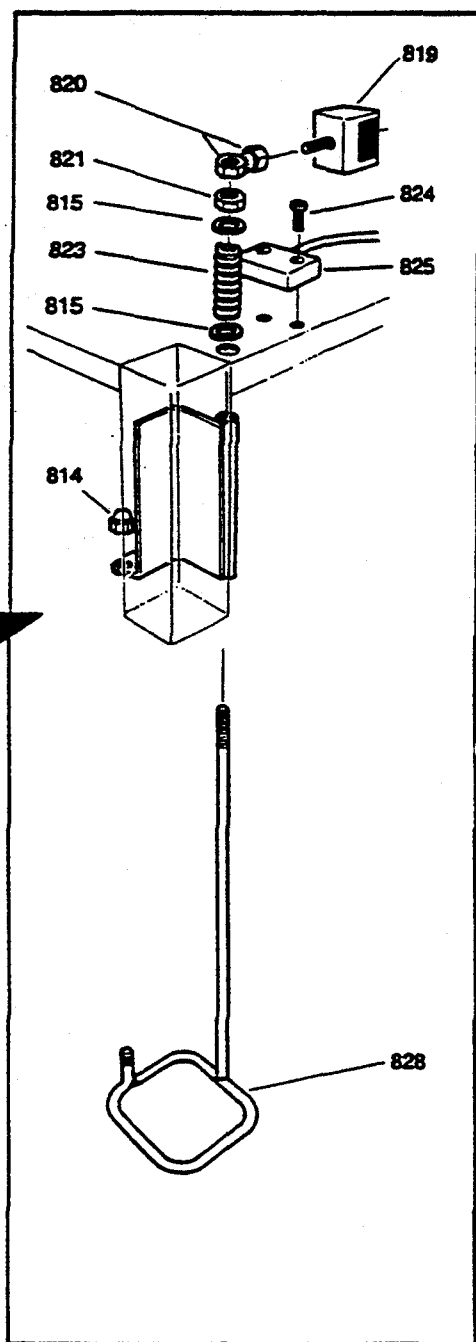
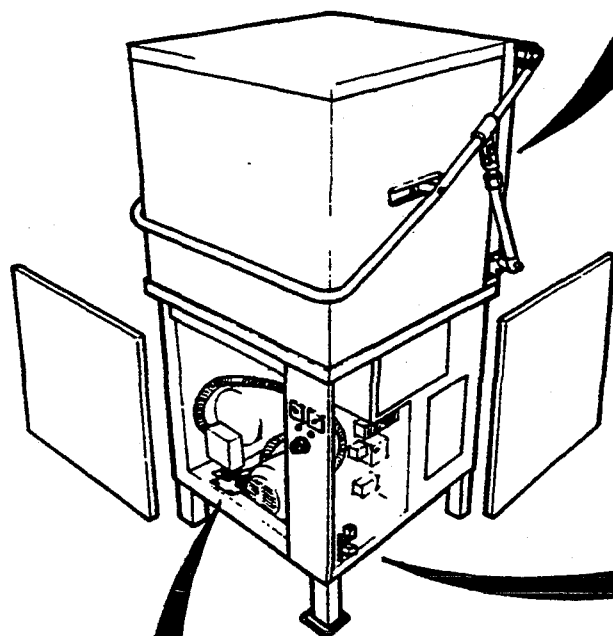
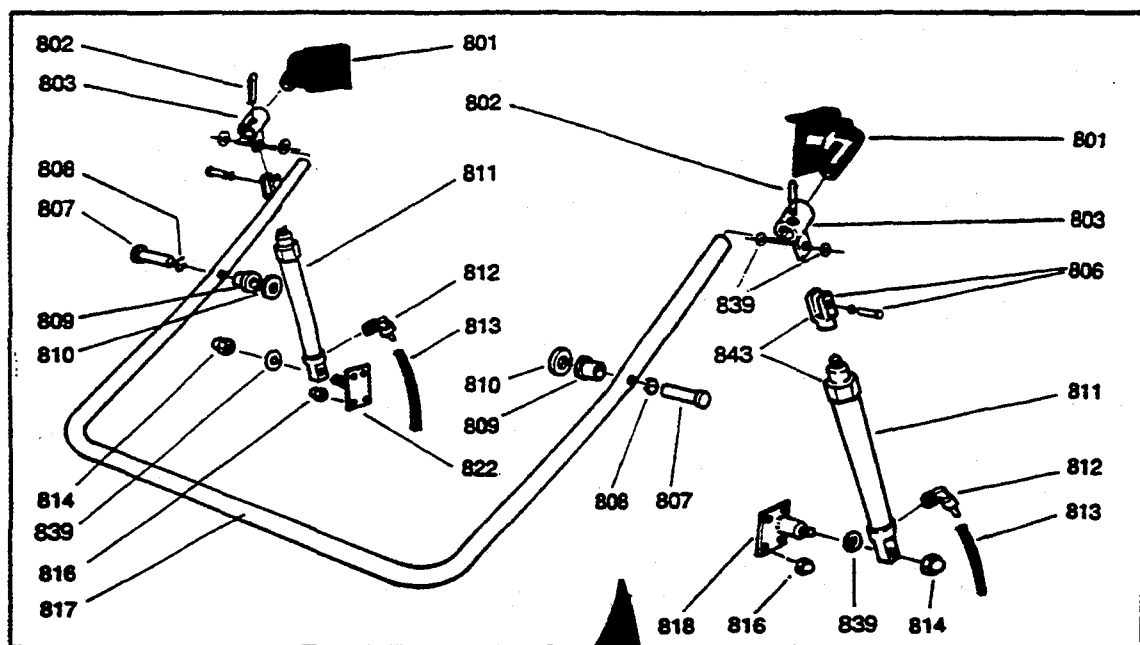
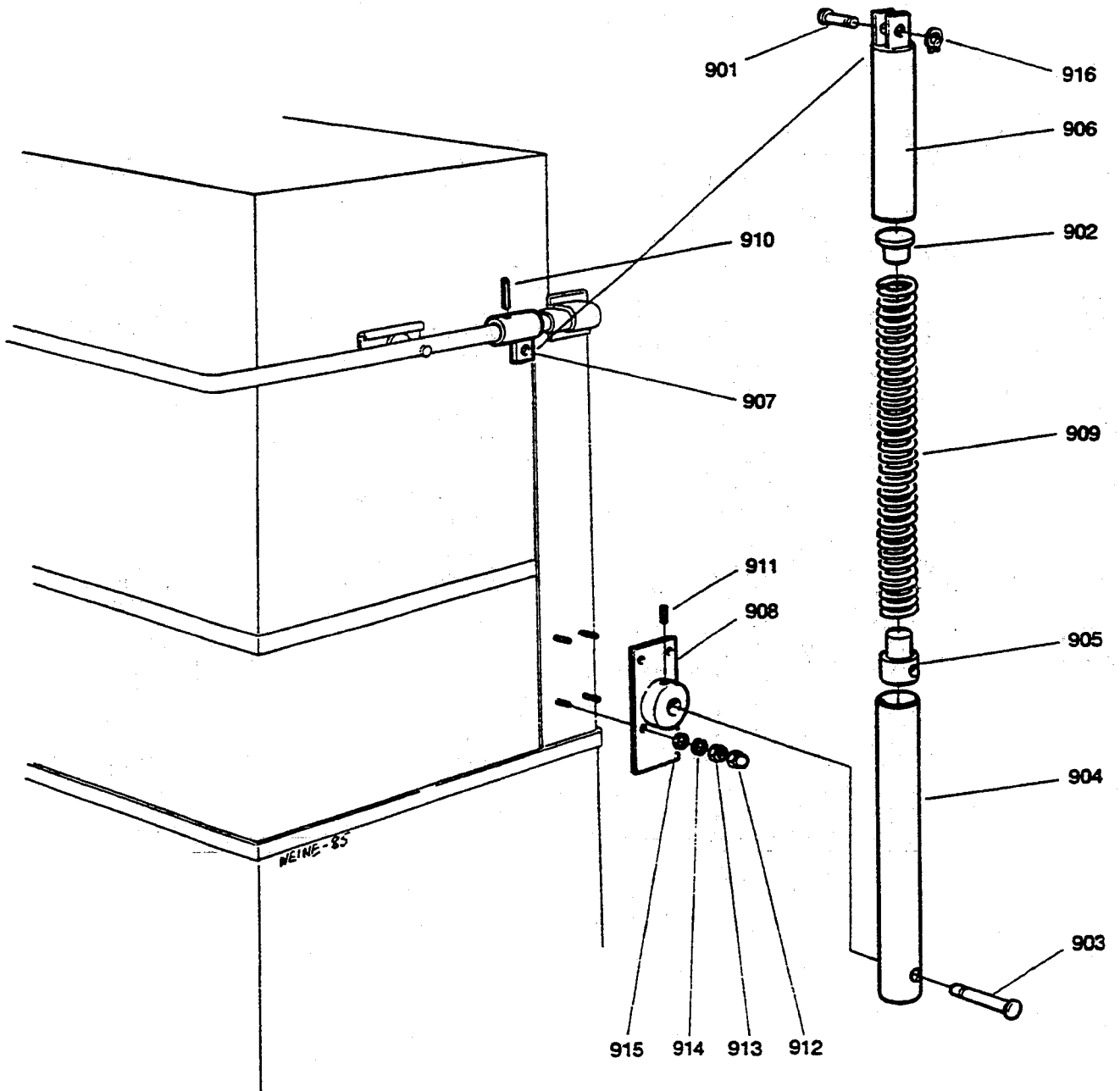


ILLUSTRATION 209 37

Prod. no.
975 88 21
975 88 22
975 88 23
97 60 04 xx
97 60 05 01



Prod. no.
97 60 05 02

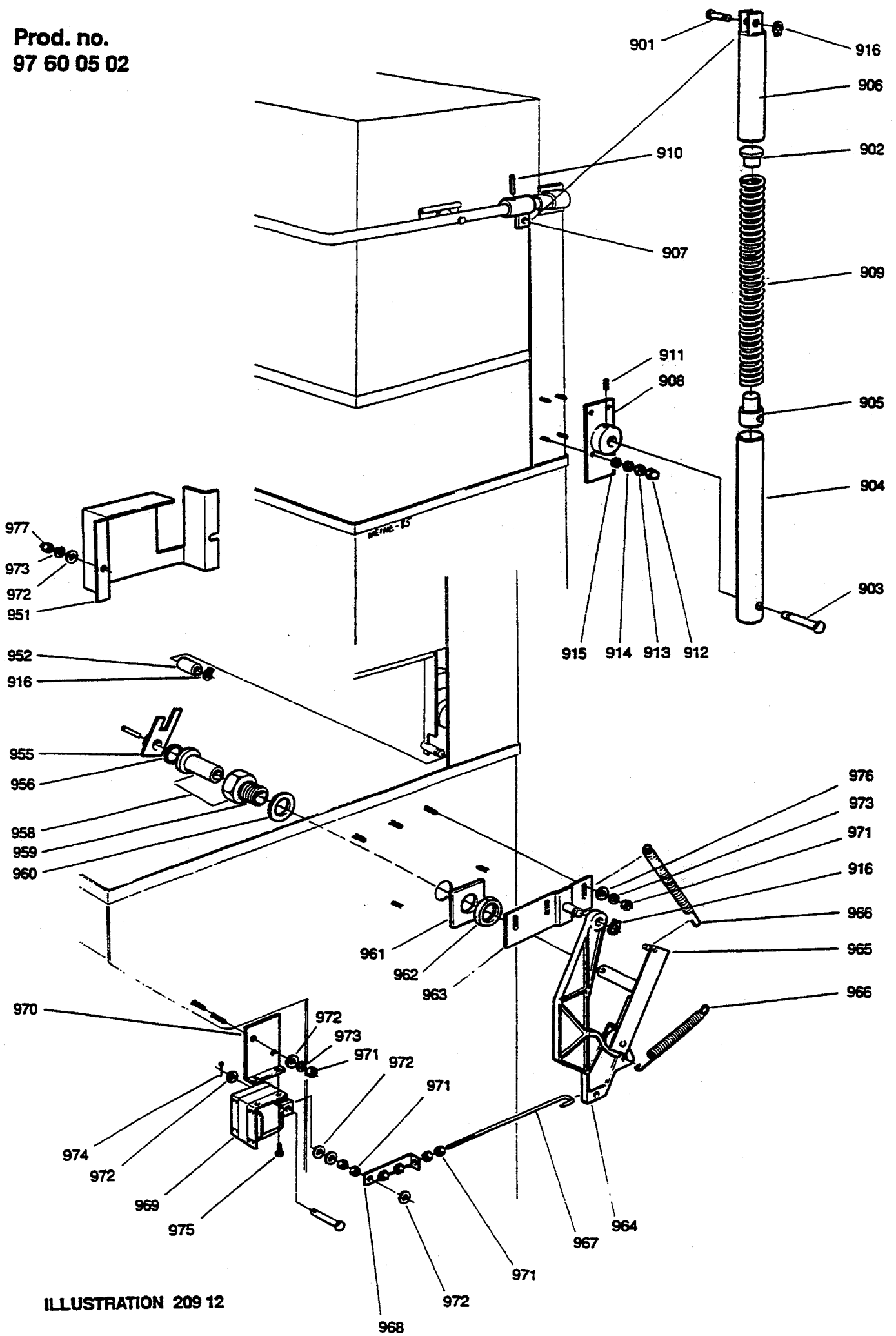


ILLUSTRATION 209 12