

**10 GN 1/1 AND 10 GN 2/1 GAS STEAM - CONVECTION OVEN
FORNO CONVEZIONE - VAPORE GAS 10 GN 1/1 E 10 GN 2/1**

| PNC | Model | Ref. | Page | Notes |
|--------|--------------|------|---------|--------------------------------------|
| 240100 | FCV/G 10 1/1 | a | 1-2-3-4 | Zanussi - std Level/Livello 3 |
| 240103 | FCV/G 10 1/1 | b | 1-2-3-4 | Zanussi - town gas Level/Livello 3 |
| 240104 | FCV/G 10 2/1 | c | 1-2-3-4 | Zanussi - std Level/Livello 3 |
| 240117 | FCV/G 10 1/1 | d | 1-2-3-4 | Zanussi - Japan 60Hz Level/Livello 3 |
| 240118 | FCV/G 10 2/1 | e | 1-2-3-4 | Zanussi - Japan 60Hz Level/Livello 3 |

Index

| | |
|--------|-----------------------|
| Pag. 1 | Oven cabinet and door |
| 2 | Gas components |
| 3 | Water system |
| 4 | Electrical components |
| 5-10 | Spare parts list |

Indice

| |
|----------------------|
| Cella forno e porta |
| Componenti gas |
| Impianto idraulico |
| Componenti elettrici |
| Lista ricambi |

Brand / Marchio : Z
Factory code: 9731

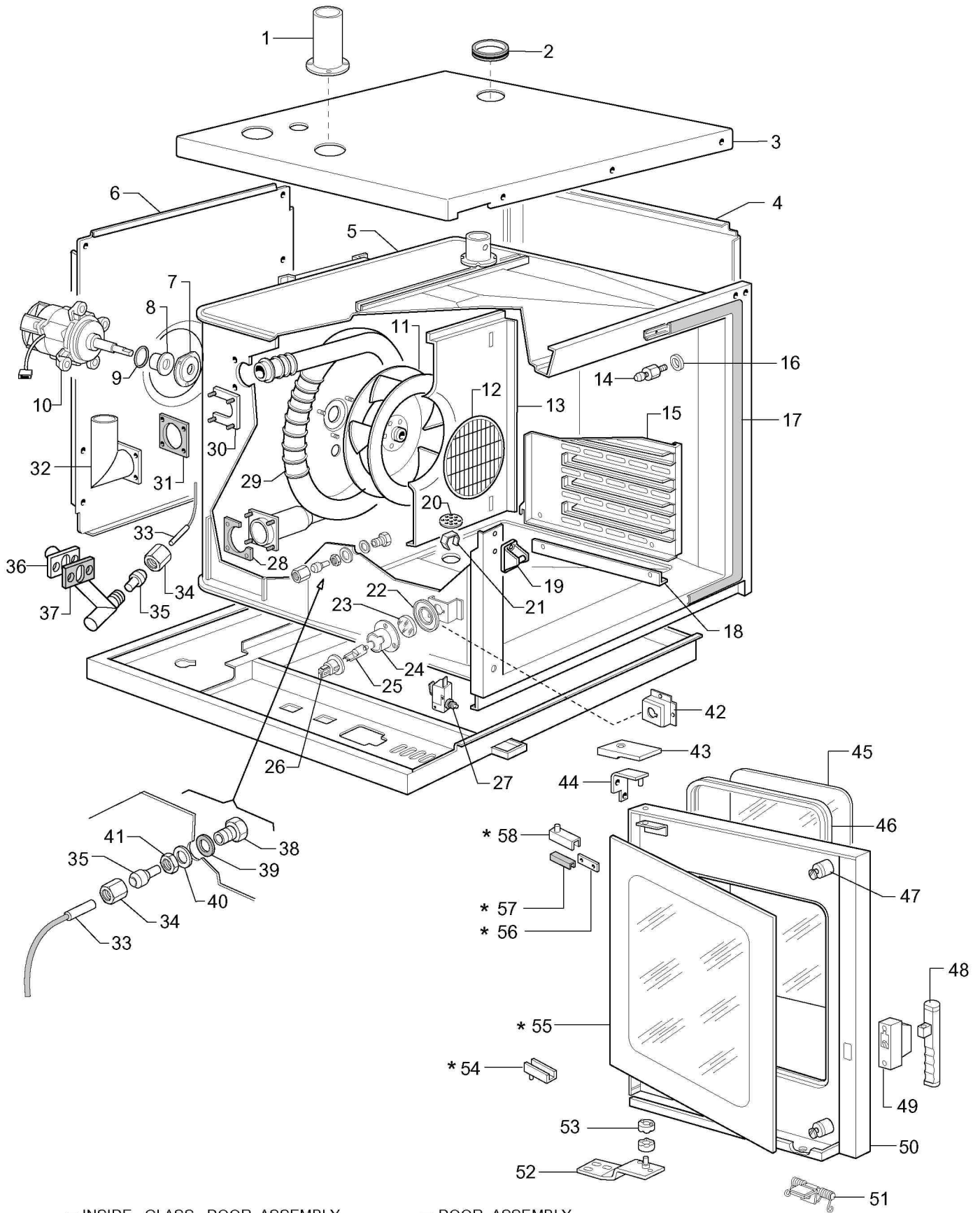
OS/DOC

From ser. nr. / Da Ser. Nr.: 503.....

Ed. 1002

Doc. Nr.:

3 - 11 007

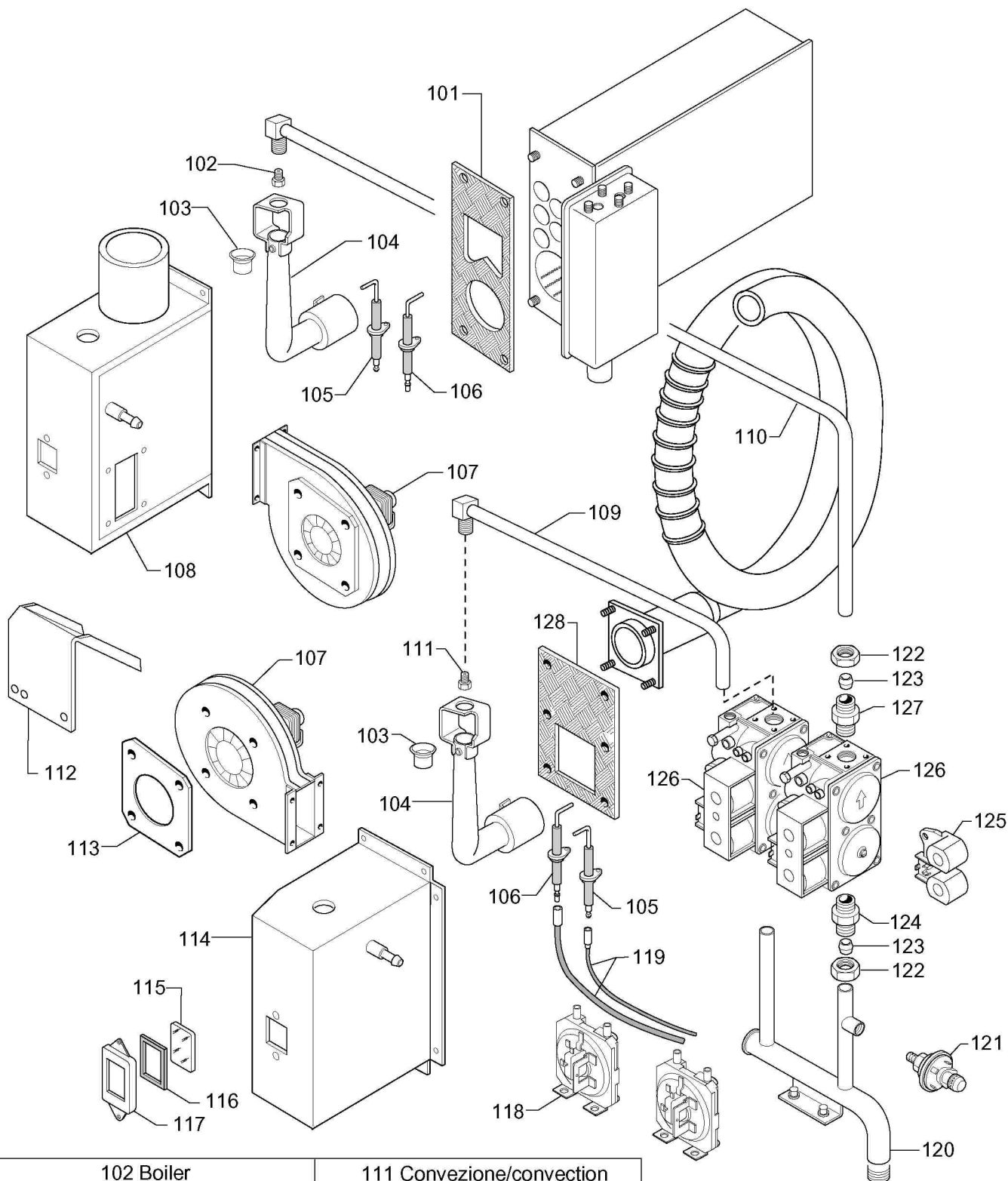


* 59 — INSIDE GLASS DOOR ASSEMBLY
 — ASSIEME VETRO INTERNO PORTA

* 60 — DOOR ASSEMBLY
 — ASSIEME PORTA

10 GN 1/1 AND 10 GN 2/1 GAS STEAM-CONVECTION OVEN
 FORNO CONVEZIONE-VAPORE GAS 10 GN 1/1 E 10 GN 2/1

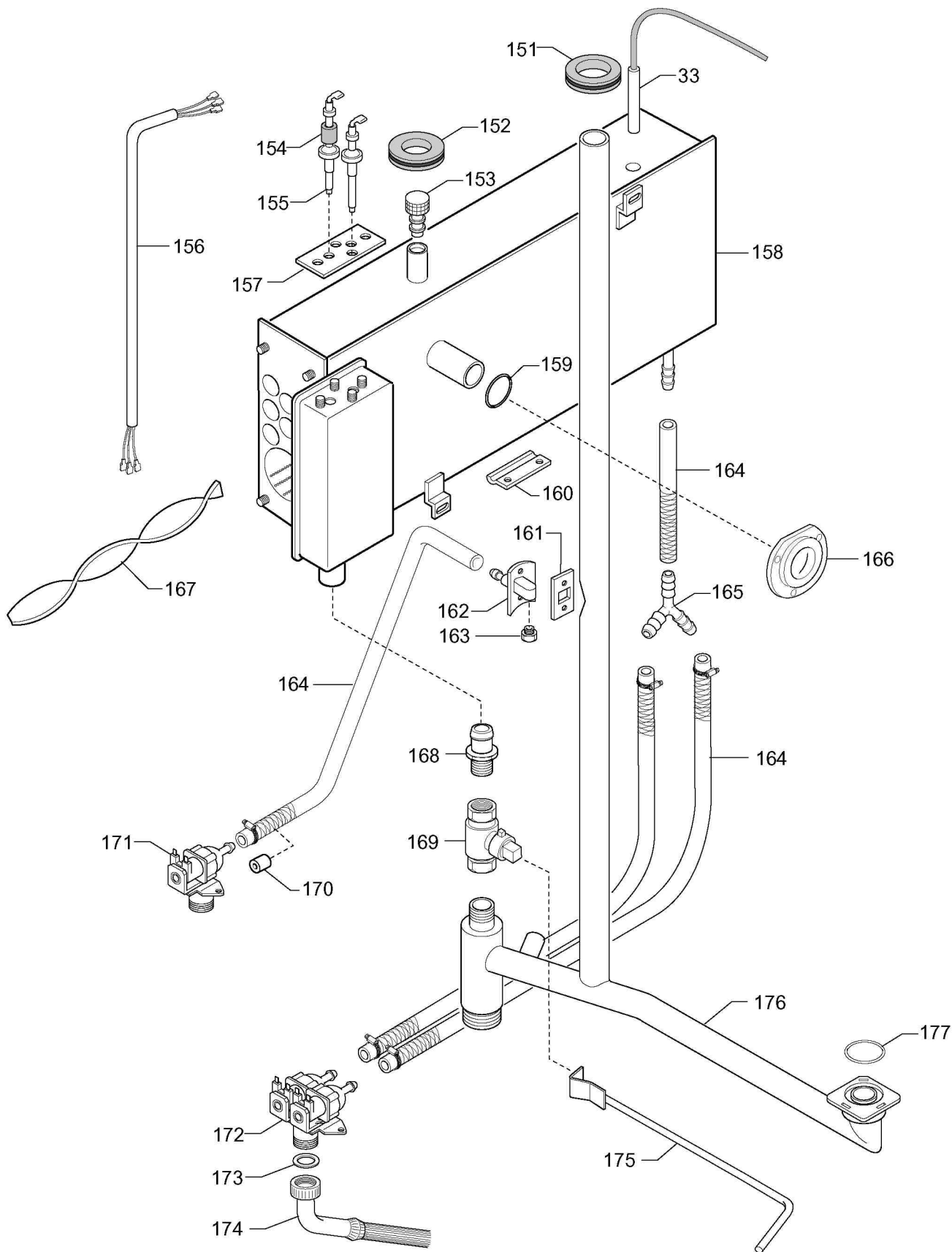
LEVEL / LIVELLO 3



| 102 Boiler | | | 111 Convezione/convection | | |
|------------|---------------|----------------|---------------------------|---------------|----------------|
| 59359 | ∅ 3,60 G.N. | cat."H-E-L" ad | 59359 | ∅ 3,60 G.N. | cat."H-E-L" ad |
| 59528 | ∅ 3,95 G.N. | cat."H-E-L" ce | 02864 | ∅ 4,50 G.N. | cat."H-E-L" ce |
| 02866 | ∅ 3,90 G.N. | cat. "LL" ad | 02866 | ∅ 3,90 G.N. | cat. "LL" ad |
| 02863 | ∅ 4,35 G.N. | cat. "LL" ce | A2305 | ∅ 5,20 G.N. | cat. "LL" ce |
| A2081 | ∅ 2,30 G.P.L. | 30-37 mbar ad | A2081 | ∅ 2,30 G.P.L. | 30-37 mbar ad |
| 59382 | ∅ 2,50 G.P.L. | 30-37 mbar ce | 59358 | ∅ 2,85 G.P.L. | 30-37 mbar ce |
| A2102 | ∅ 2,00 G.P.L. | 50 mbar ad | A2102 | ∅ 2,00 G.P.L. | 50 mbar ad |
| A2083 | ∅ 2,20 G.P.L. | 50 mbar ce | 58980 | ∅ 2,45 G.P.L. | 50 mbar ce |
| A5225 | ∅ 9,00 G 110 | b | A5225 | ∅ 9,00 G 110 | b |
| 04021 | ∅ 7,50 G 120 | b | 04021 | ∅ 7,50 G 120 | b |

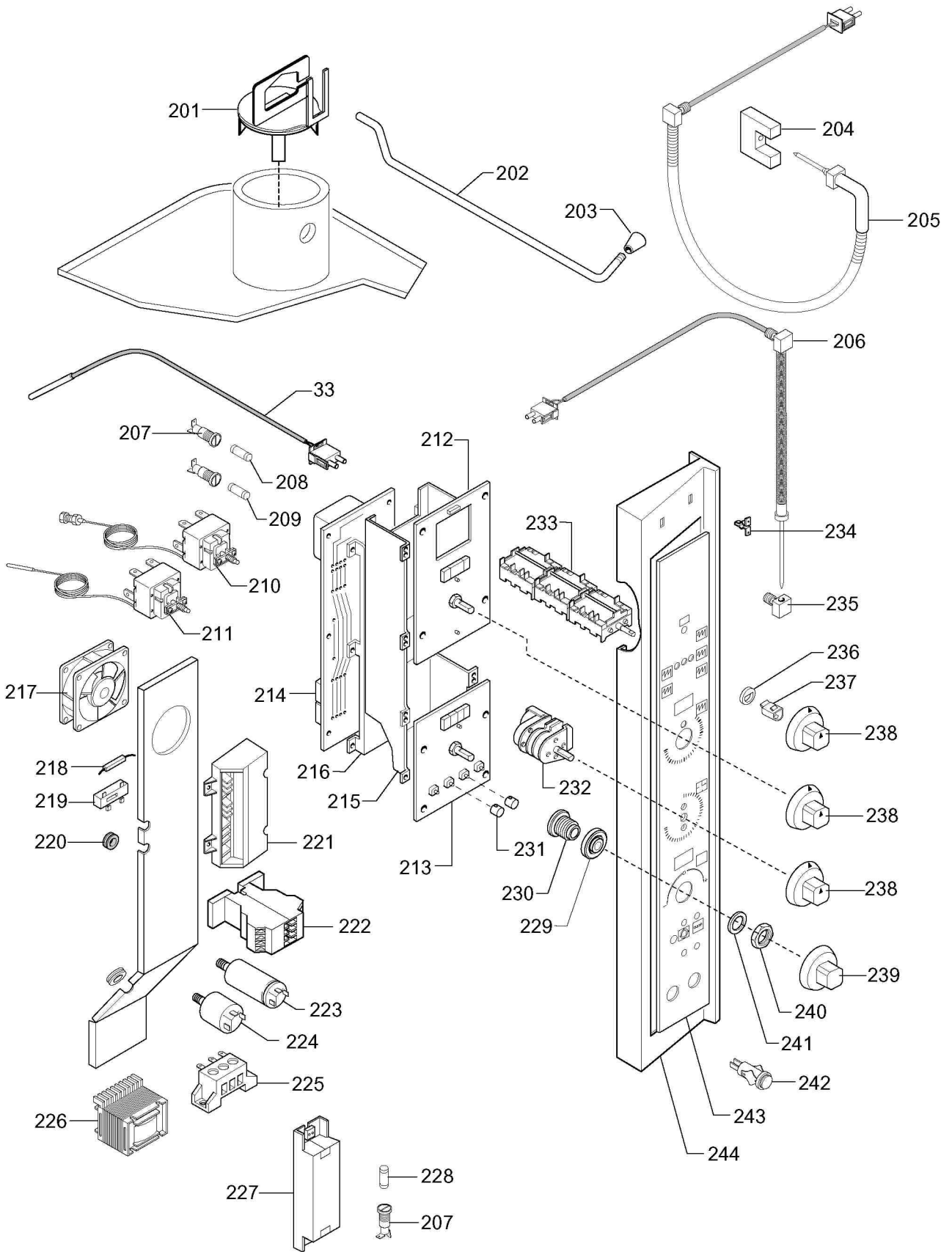
10 GN 1/1 AND 10 GN 2/1 GAS STEAM-CONVECTION OVEN
 FORNO CONVEZIONE-VAPORE GAS 10 GN 1/1 E 10 GN 2/1

LEVEL / LIVELLO 3



10 GN 1/1 AND 10 GN 2/1 GAS STEAM-CONVECTION OVEN
 FORNO CONVEZIONE-VAPORE GAS 10 GN 1/1 E 10 GN 2/1

LEVEL / LIVELLO 3



10 GN 1/1 AND 10 GN 2/1 GAS STEAM-CONVECTION OVEN
 FORNO CONVEZIONE-VAPORE GAS 10 GN 1/1 E 10 GN 2/1

LEVEL / LIVELLO 3