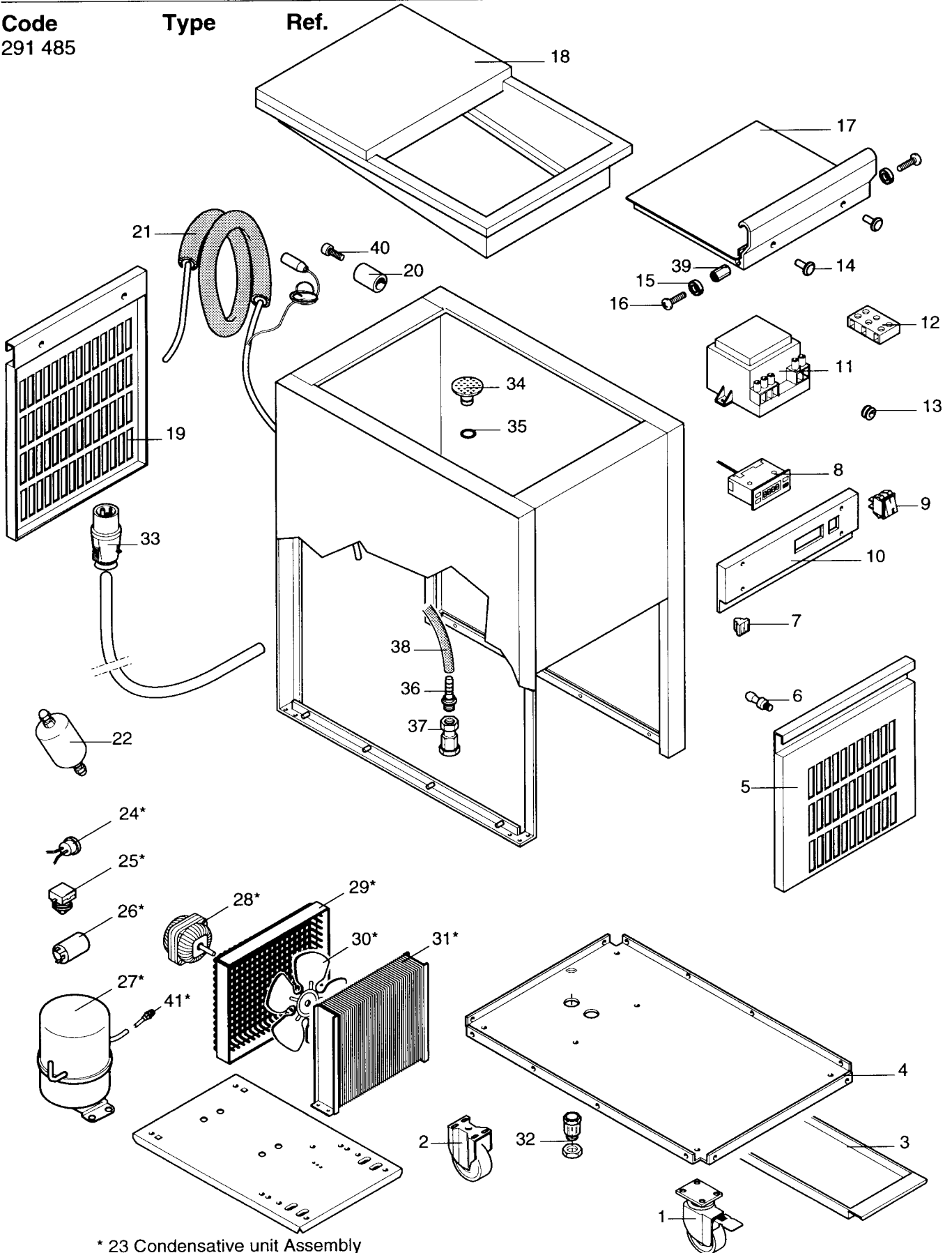


Code
291 485

Type

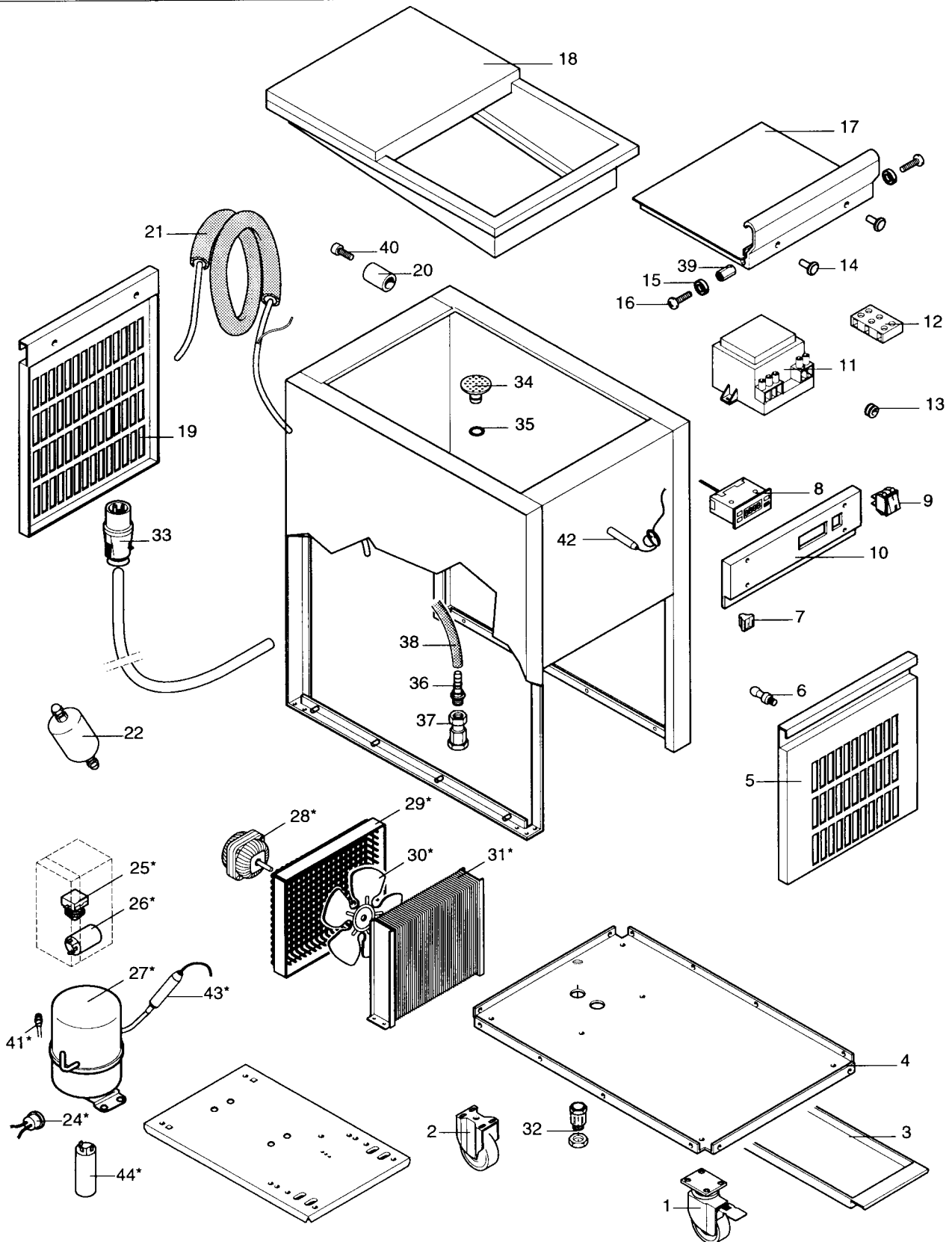
Ref.



* 23 Condensative unit Assembly

Code
291485 PFF119 freonR404a

MEAT - FREEZER 67



* 23 Condensative unit Assembly