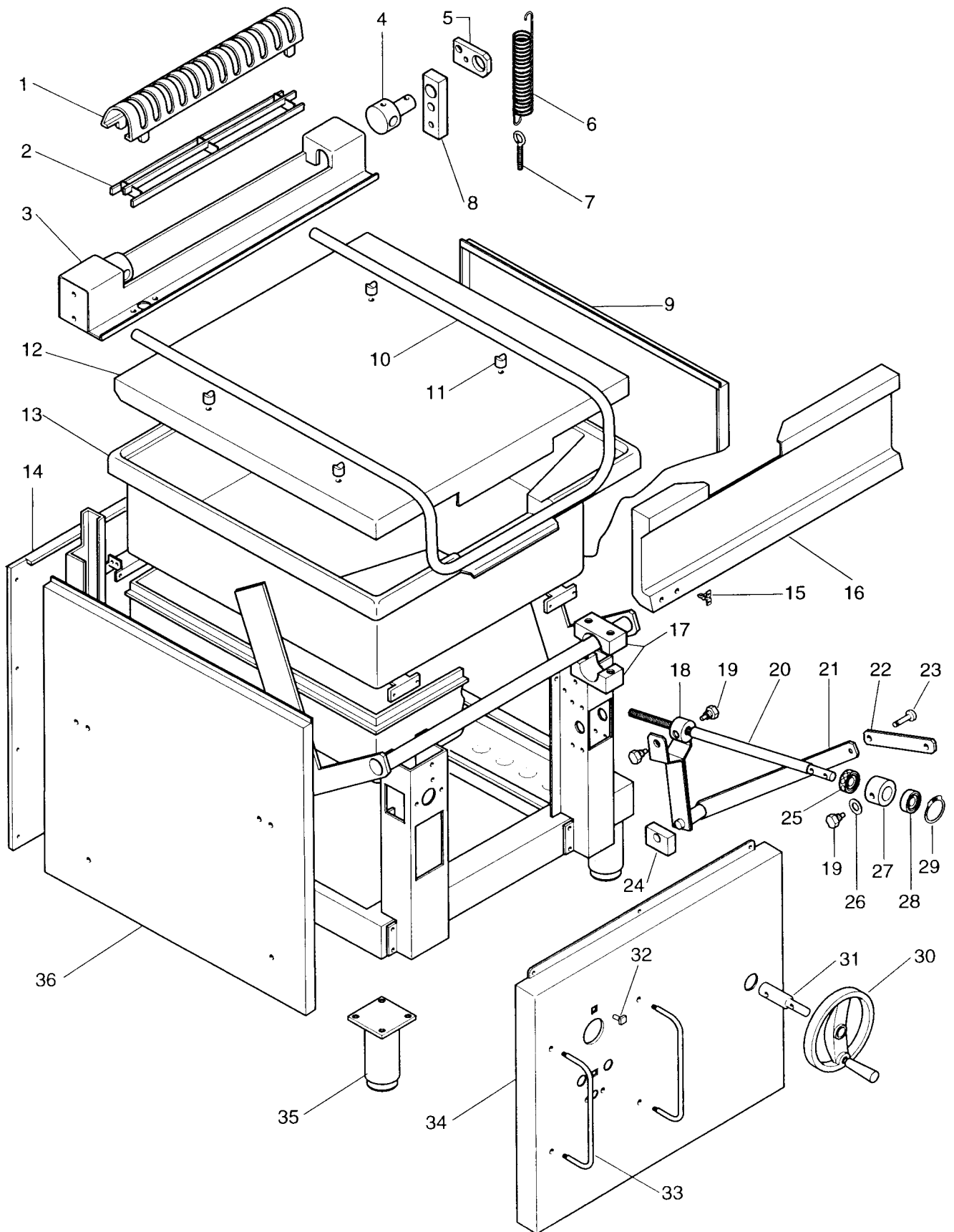


BRASIERA ELETTRICA
ELECTRIC BRATT-PAN**PR 700**

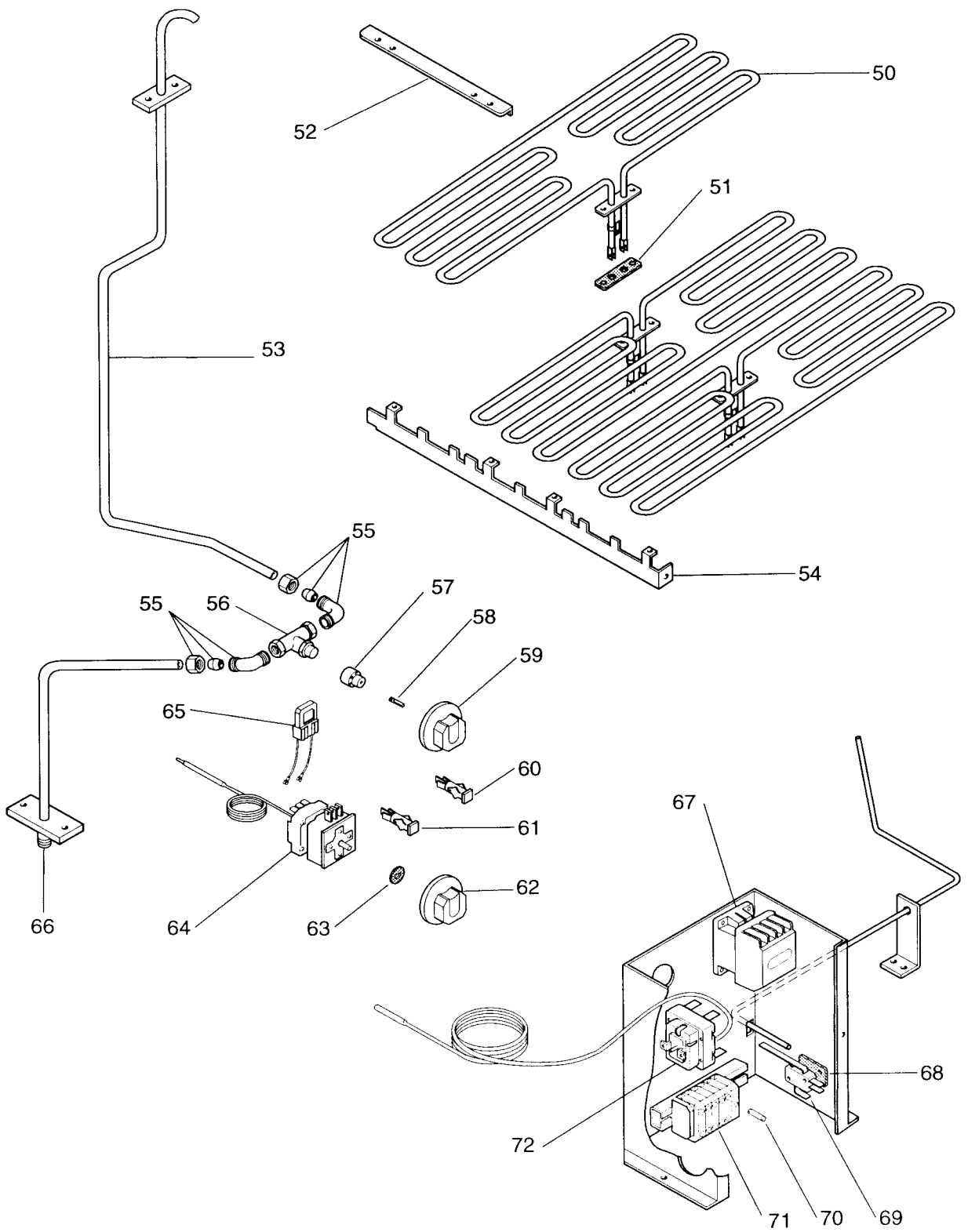
Code	Type	Ref.	Page
168 833	MBR/E2FM	a	1-2
168 834	MBR/E2IM	b	1-2
168 835	MBK/E2FM	c	1-2
168 033	RBR/E2FM	d	1-2
168 034	RBR/E2IM	e	1-2
168 035	RBK/E2FM	f	1-2

	Indice	Index
Pag. 1	Vista generale	Main view
2	Componenti elettrici	Electric components
3-4	Liste ricambi	Spare parts list

Brand / Marchio : Z - E
Factory code: 9PDX



PR 700 Electric bratt-pan



PR 700 Electric bratt-pan