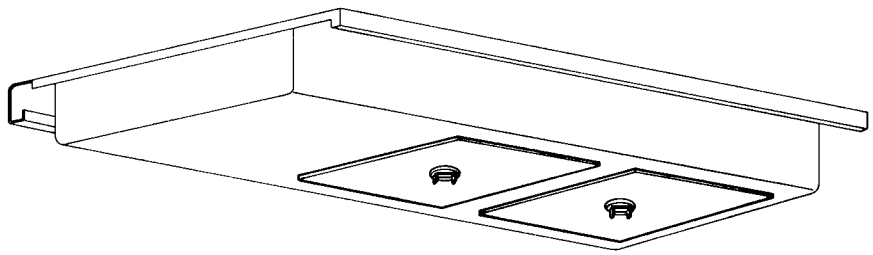
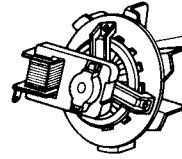


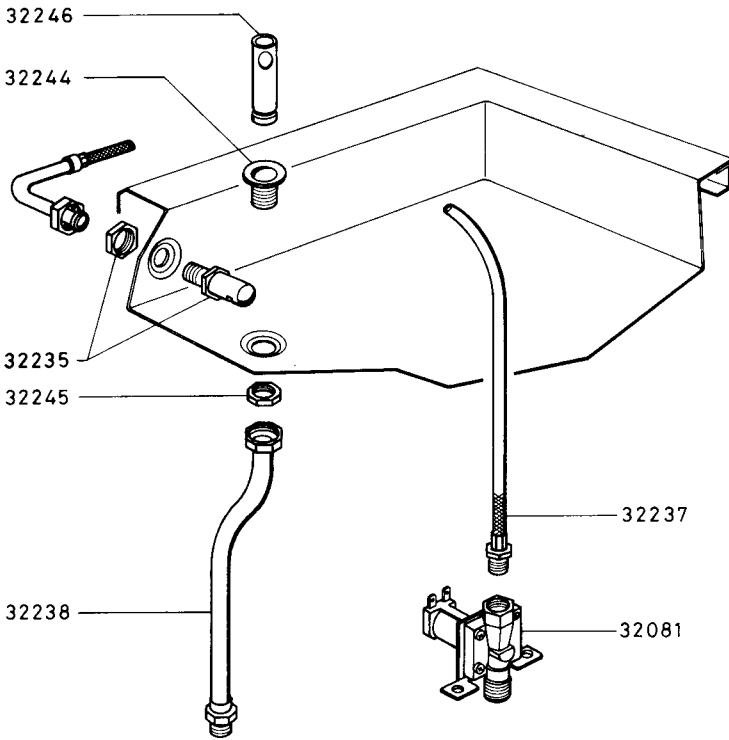
SELF SERVICE "DL"-ELEMENTO BAGNOMARIA 750 mm		RIF	Da matricola
- 750 mm BAIN MARIE UNIT		REF	from serial N°
a			245.....
305024			
DL 07/C			
			401.05-0



(500W-240V) 32086



31484



32246

32244

32235

32245

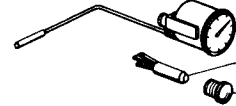
32238

32237

32081



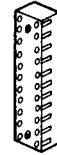
54042



32085

46076

75096



31682



82631



53810



46076

75095



52000

SELF SERVICE "DL" - ELEMENTO BAGNOMARIA 750 mm
- 750mm BAIN MARIE UNIT

RIF Da matricola
REF from serial
N°

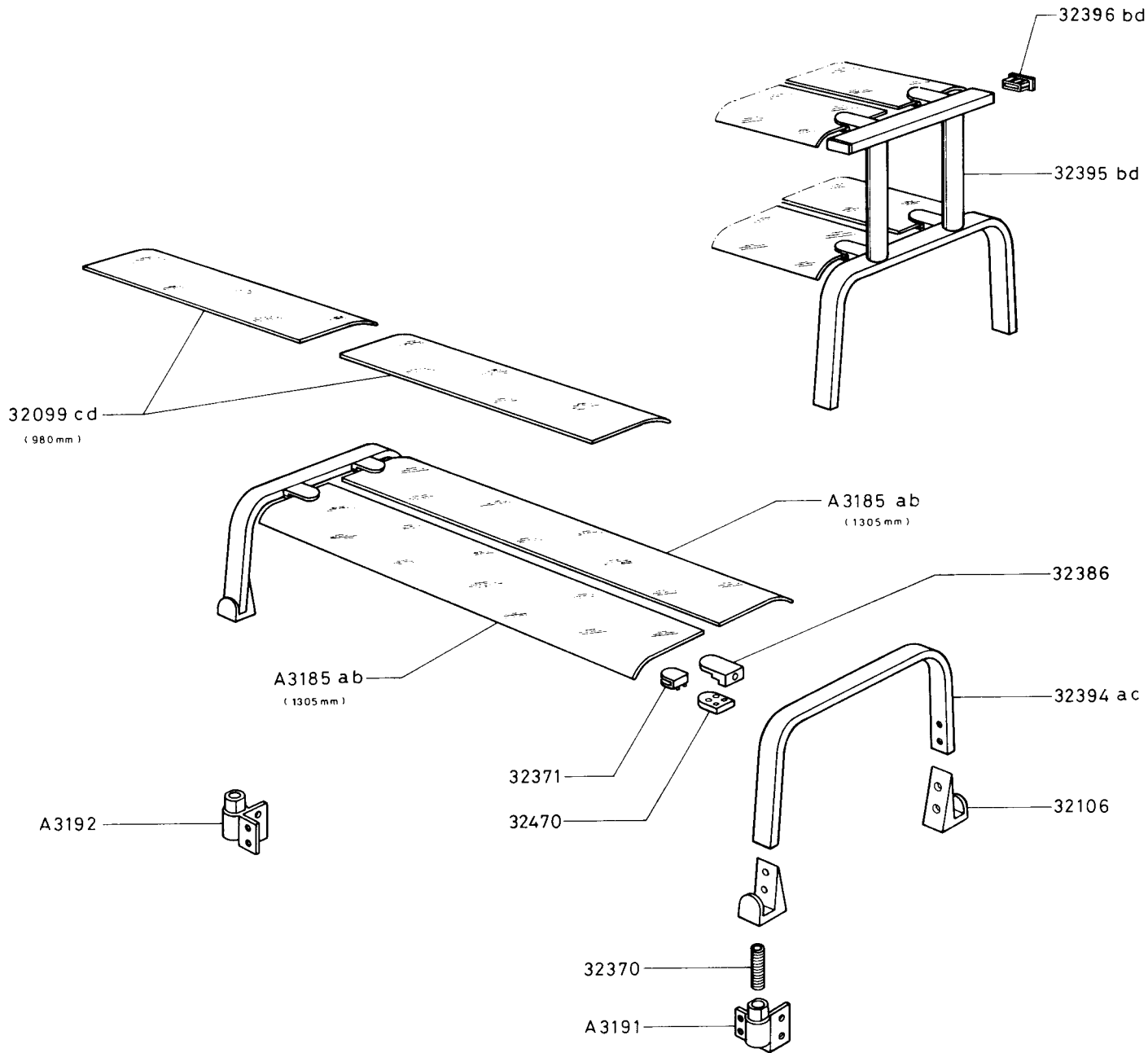
a

245

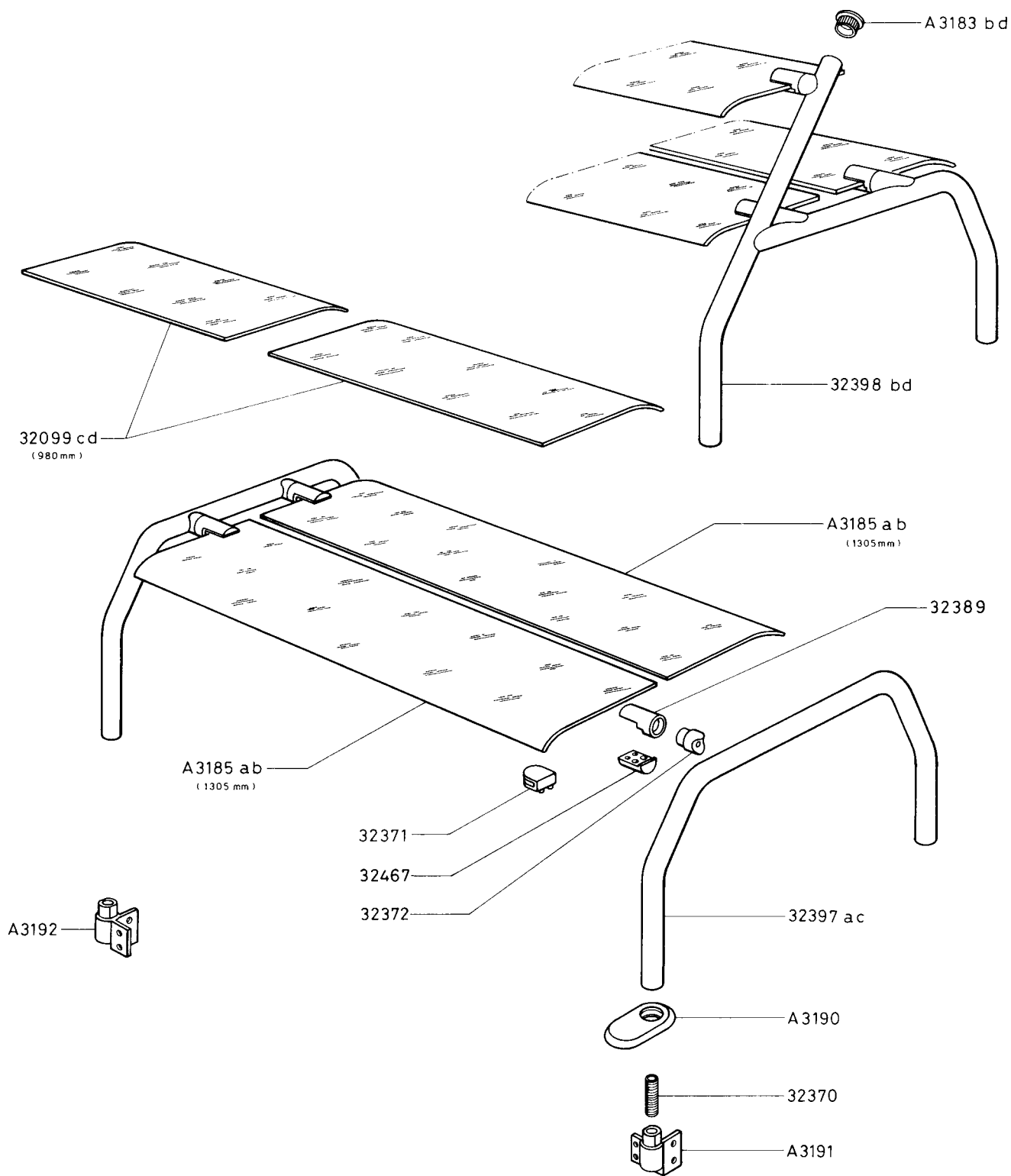
305024

DL 07/C

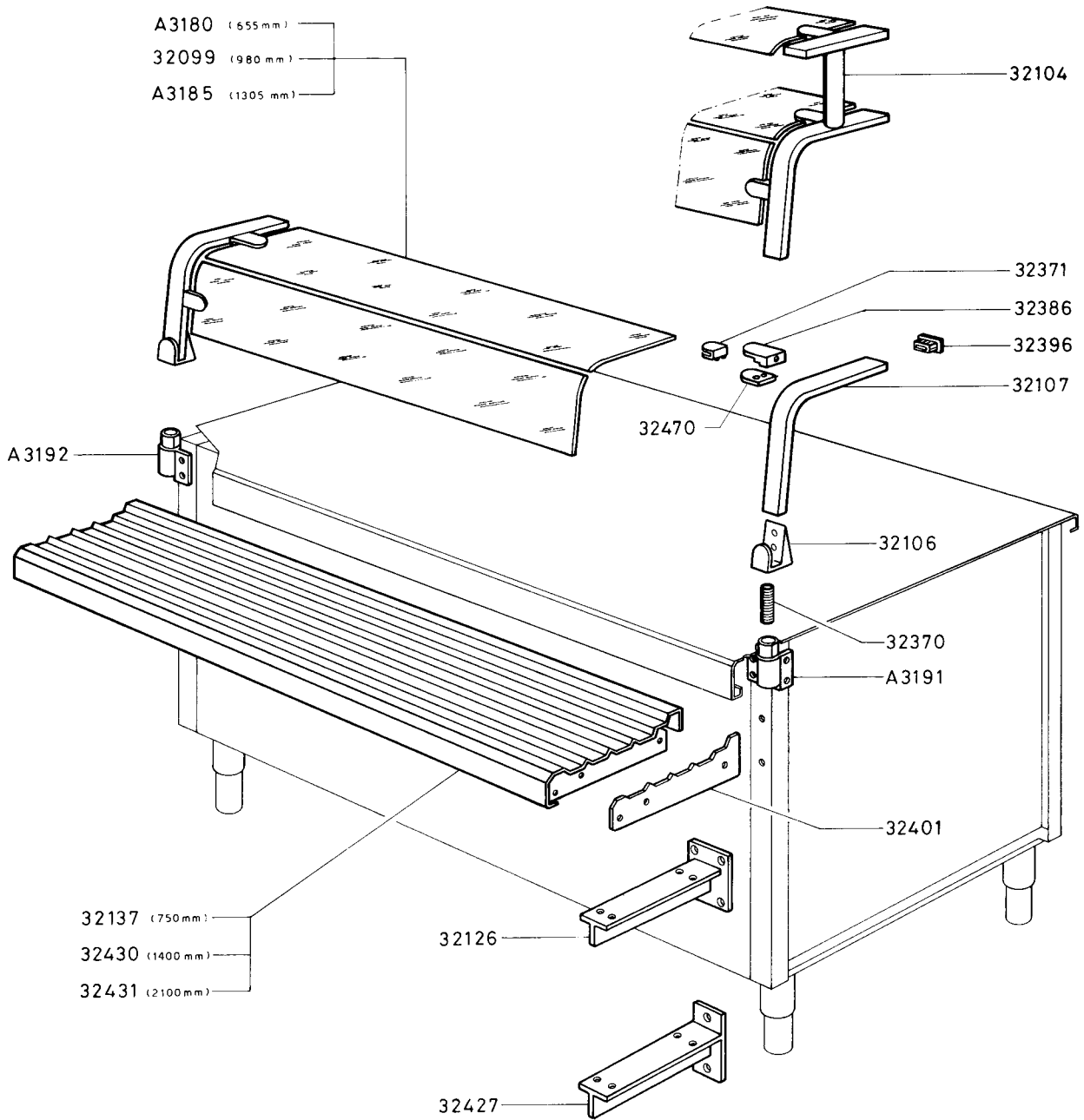
0 401.06-0



SELF SERVICE "DL" - VETRINETTA 1400 mm - 2100 mm				RIF	Da matricola
- 1400 mm - 2100 mm GLASS SHELF				REF	from serial
a	b	c	d		N°
852 200	852 205	852 210	852 215		245.....
DLV 114	DLV 214	DLV 121	DLV 221		
					401.19-0

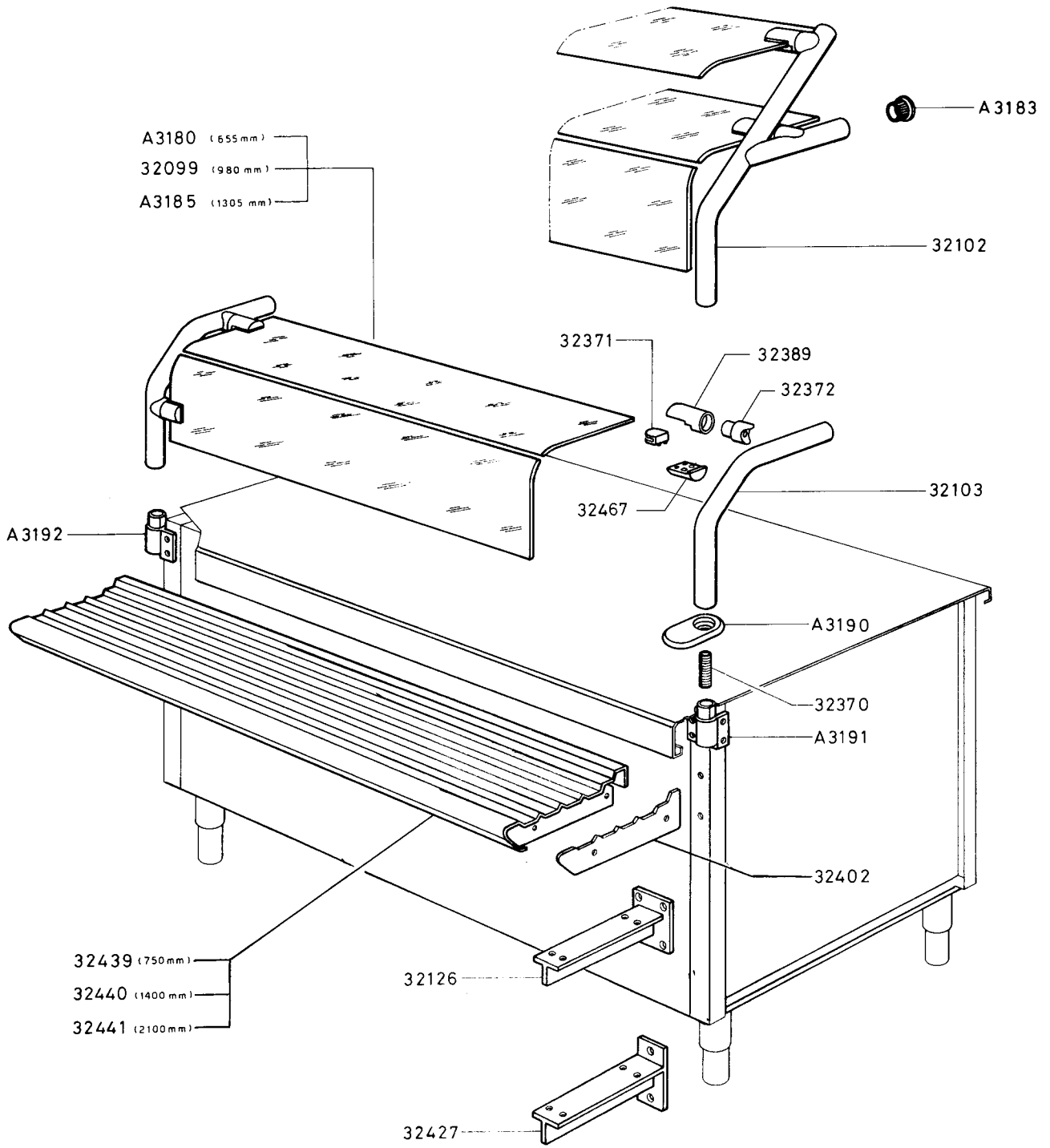


SELF SERVICE "DL" - VETRINETTA 1400 mm - 2100 mm				RIF	Da matricola
- 1400mm-2100mm GLASS SHELF				REF	from serial N°
a	b	c	d		245.....
852225 DLV 114	852235 DLV 214	852240 DLV 121	852245 DLV 221		
					P 401.20-0



TCR 1822 Z 401.25-0/P 401.26-0

SELF SERVICE "DL" - ACCESSORI - ACCESSORIES	RIF.	Da matricola
	REF	from serial N ^o
		245.....

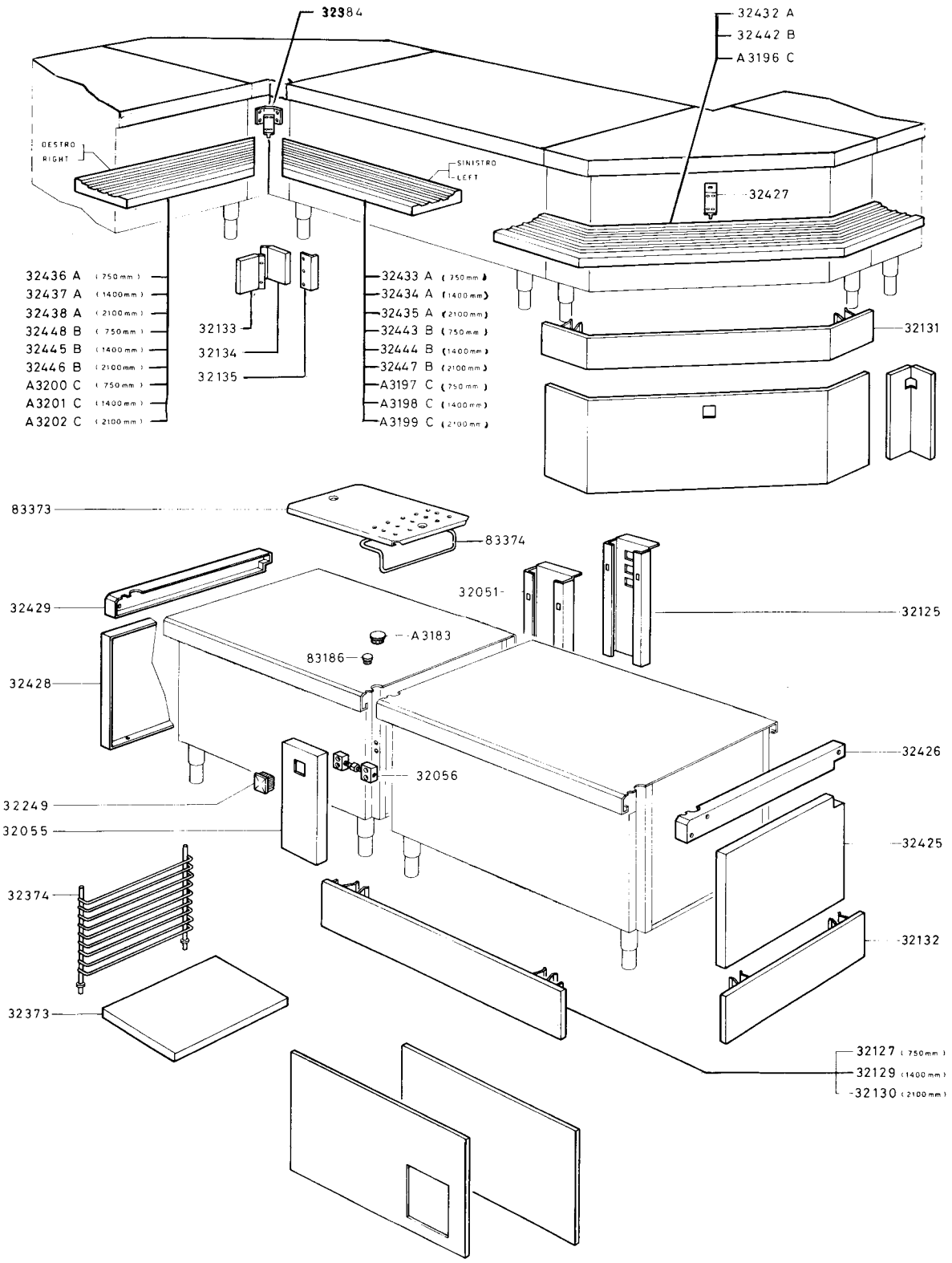


SELF SERVICE "DL" - ACCESSORI
 - ACCESSORIES

RIF. Da matricola
 REF. from serial
 N°

245.....

401.26-0



SELF SERVICE "DL" - ACCESSORI
- ACCESSORIES

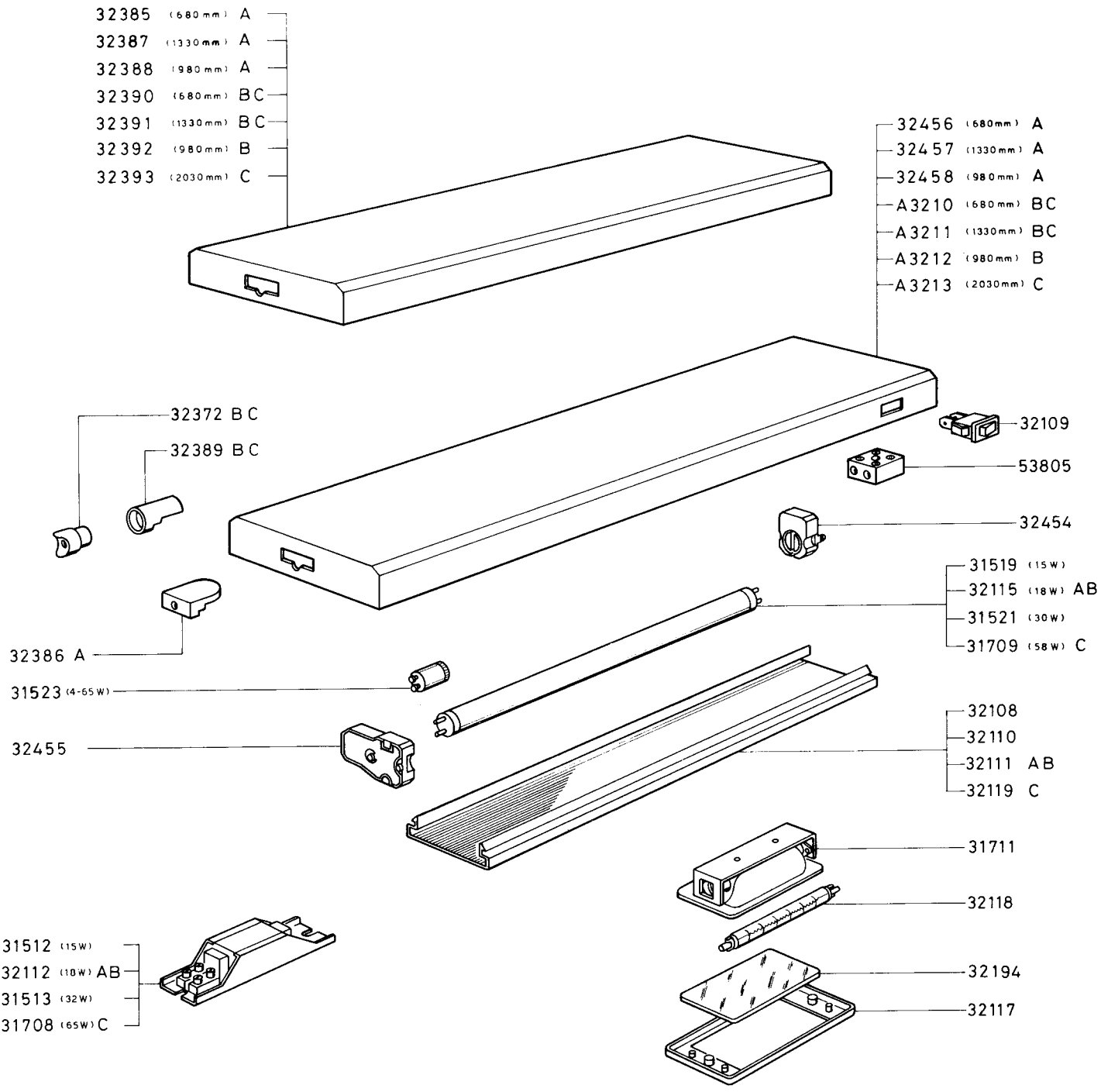
A	B	C
ZANUSSI	ZOPPAS	ALPENINOX

RIF. Da matricola
REF. from serial
N^o

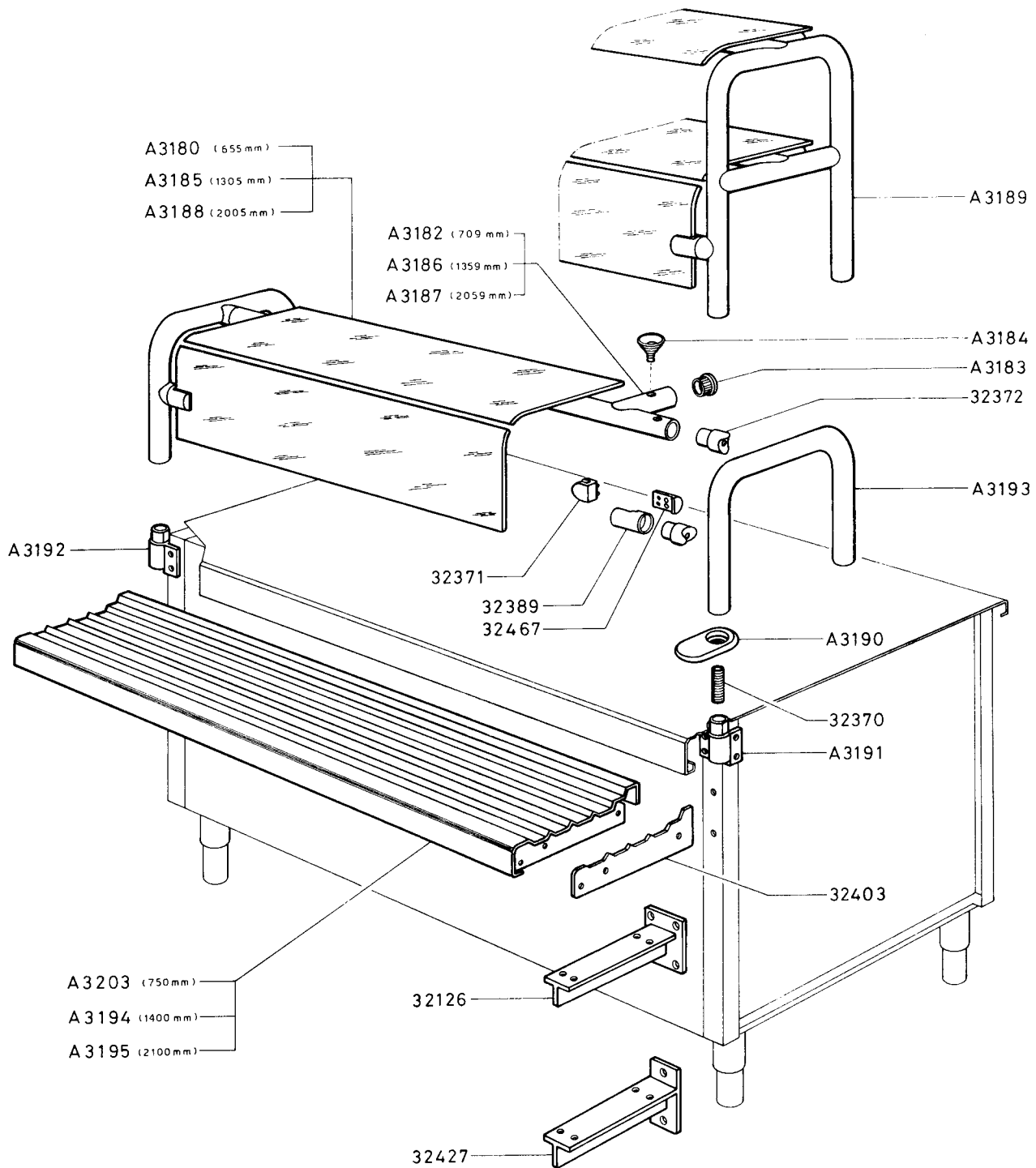
245

401.27-0

TCR 1823 0 401.27-0/0 - 401.28-0



SELF SERVICE "DL" - ACCESSORI - ACCESSORIES			RIF REF	Da matricola from serial N ^o
A	B	C		245
ZANUSSI	ZOPPAS	ALPENINOX		
				401.28-0

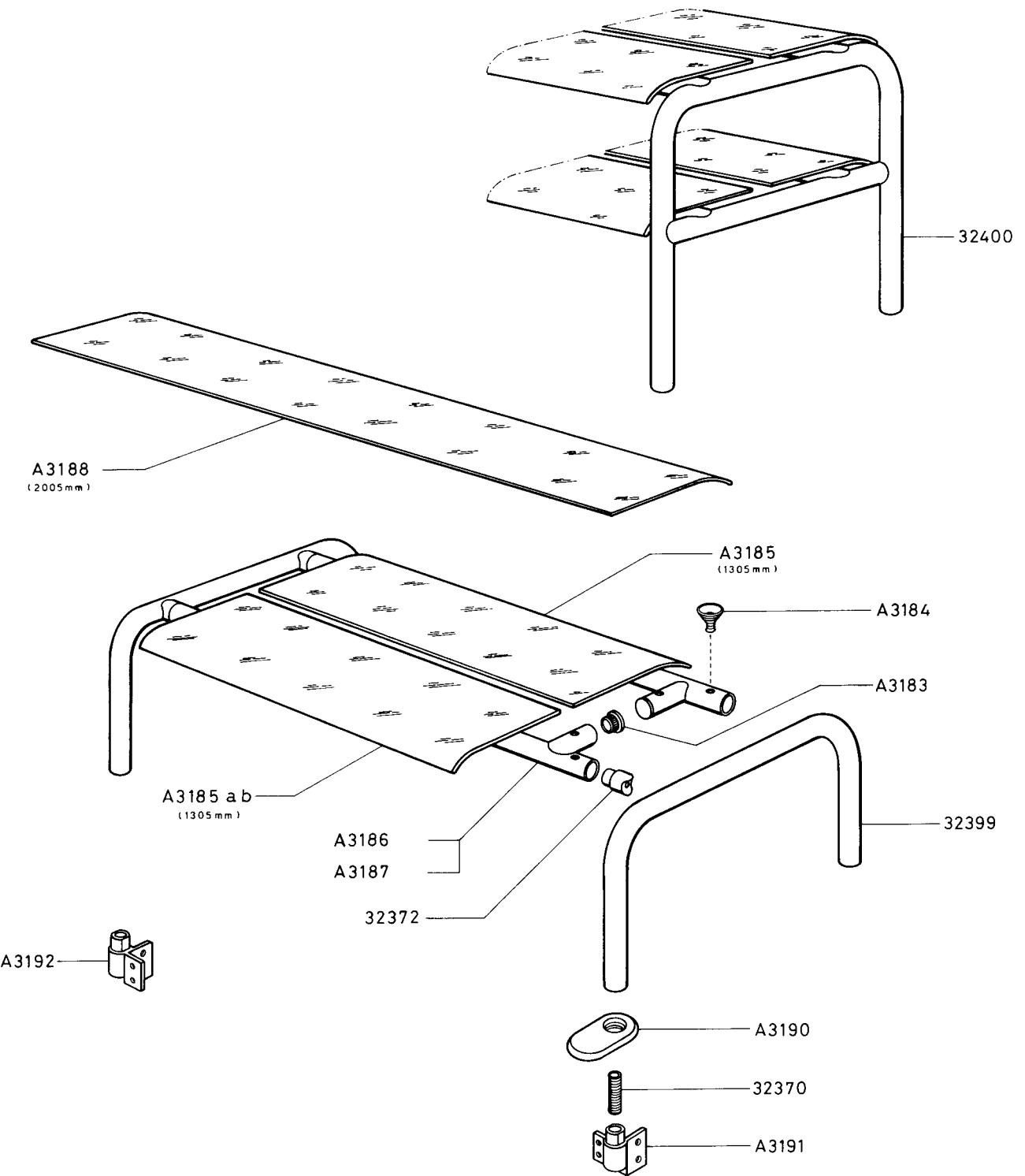


SELF SERVICE "DL" - ACCESSORI
 _____ - ACCESSORIES

RIF Da matricola
 REF from serial
 N°

245.....

401.29-0



SELF SERVICE "DL" - VETRINETTA 1400 mm - 2100 mm
 - 1400mm - 2100mm GLASS SHELF

RIF REF Da matricola
 from serial
 N°

245.....

305000 DL07/NA	305005 DL14/NA	305020 DL14/AC	305024 DL07/C	305028 DL14/C	305040 DL14/F	305043 DL21/F	305045 DLP14/F	305048 DLP21/F
--------------------------	--------------------------	--------------------------	-------------------------	-------------------------	-------------------------	-------------------------	--------------------------	--------------------------

401.30-0