

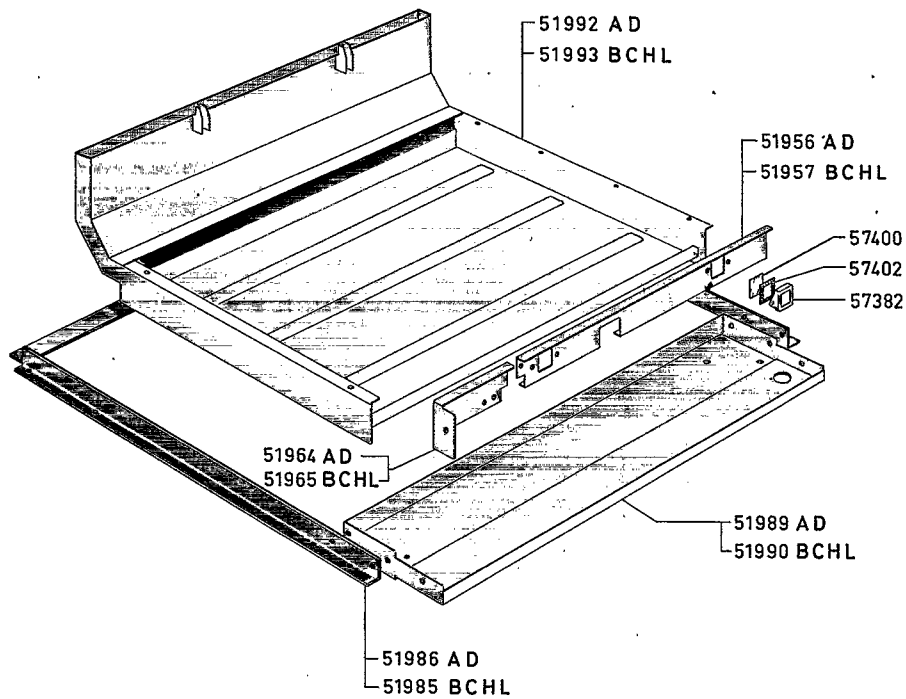
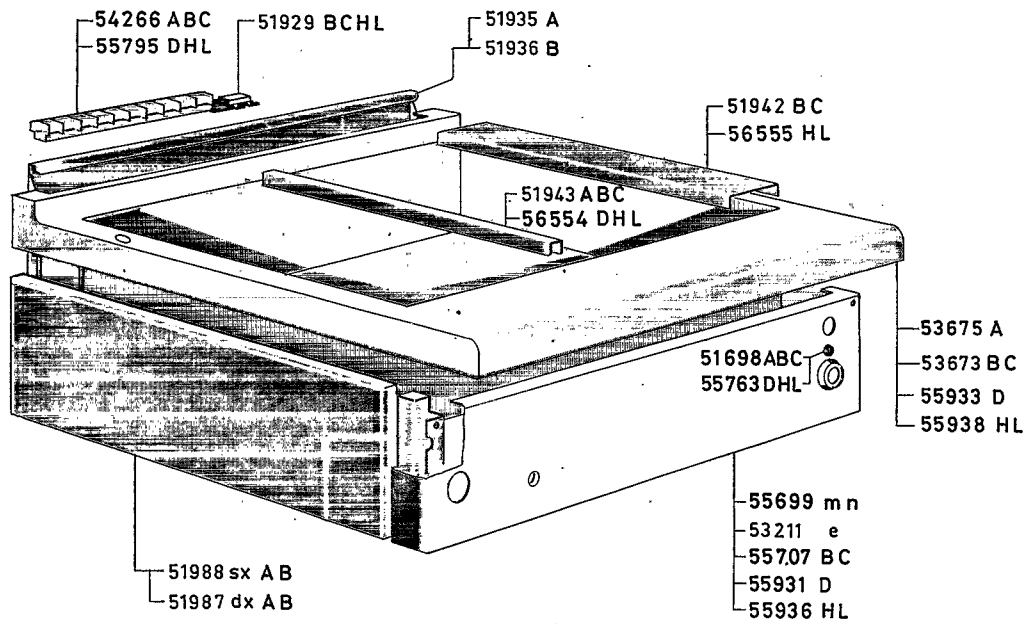
"H 900" BAGNOMARIA A GAS "H 900" GAS BAIN-MARIE									RIF. REF.	Da matricola from serial N°	
A			B			C			15	11	88
m	n	e	p	q	f	r	s	g			
293 000	293 041	293 062	293 004	293 042	293 063	293 008	293 043	293 064			
HMS/G400	HMS/G400D	HMS/G400NL	HMS/G800	HMS/G800 D	HMS/G800NL	HMA/G800	HMA/G800 D	HMA/G800NL			
D			H			L			03	75	05
t			u			z					
2 KM01B			2KM03B			2KM05B					

TCR 1177 08.75-05/03.75-06

Zanussi Grandi Impianti S.p.A.
Via Cesare Battisti, 12 - 31015 Conegliano (TV)
Italy

© RIPRODUZIONE, ANCHE PARZIALE, VIETATA

Revised 02-89



"H 900" BAGNOMARIA A GAS "H 900" GAS BAIN-MARIE									RIF. REF.	Da matricola from serial No
A			B			C				01 02 91
m	n	e	p	q	f	r	s	g		
293 000	293 041	293 062	293 004	293 042	293 063	293 008	293 043	293 064		
293 100	HMS/G400D	HMS/G400NL	293 105	HMS/G800 D	HMS/G800NL	HMA/G 800	HMA/G800 D	HMA/G800NL		
D			H			L				
t	i		u	o		z	v			
2KM01B	770 315		2KM03B	770 316		2KM05B	770 317			
770 536	774 200		770 537	774 201						

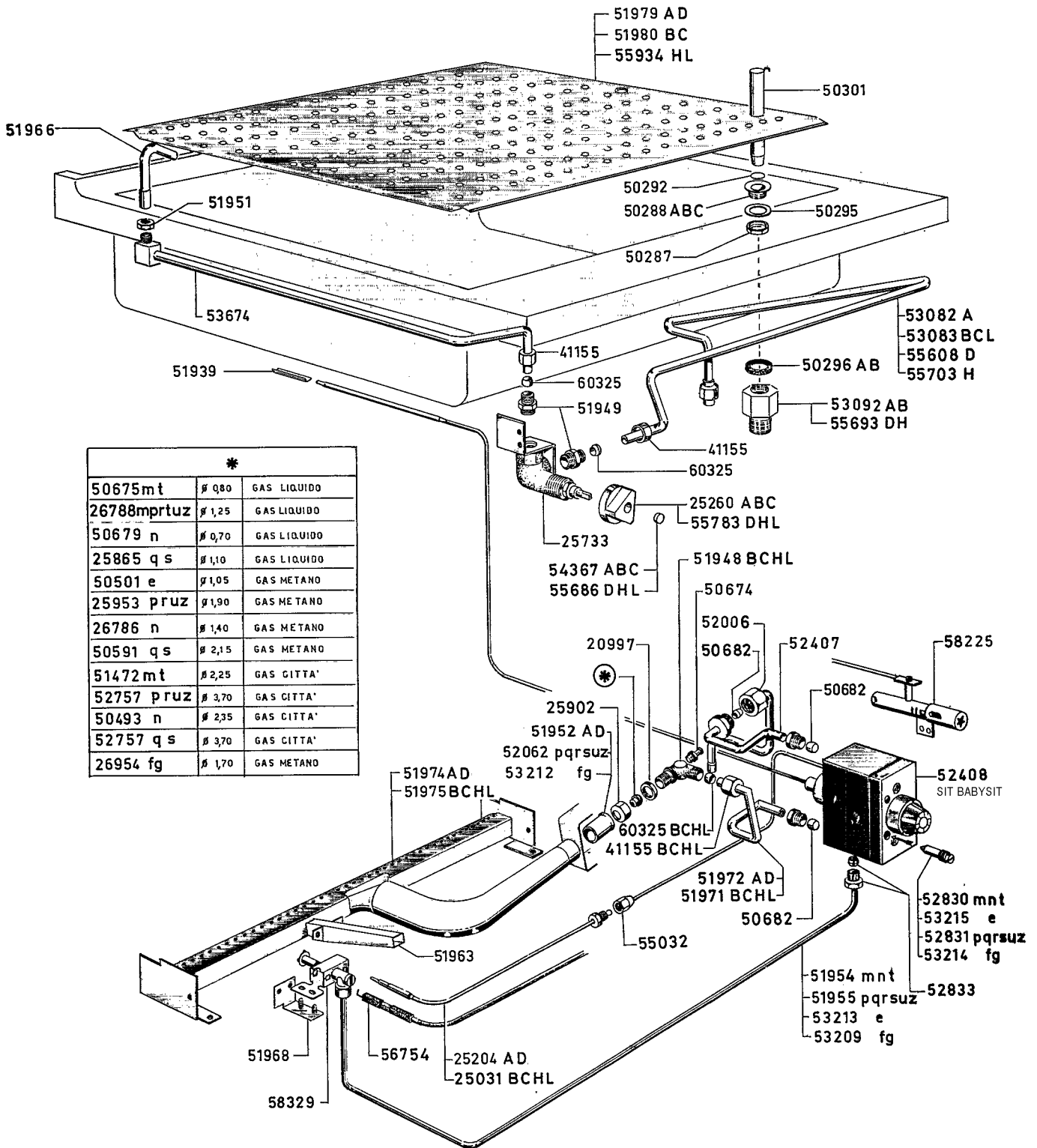
TCR 1497 03 75-05a / 03 75-06a

Zanussi Grandi Impianti S.p.A.
Via Cesare Battisti, 12 - 31015 Conegliano (TV)
Italy

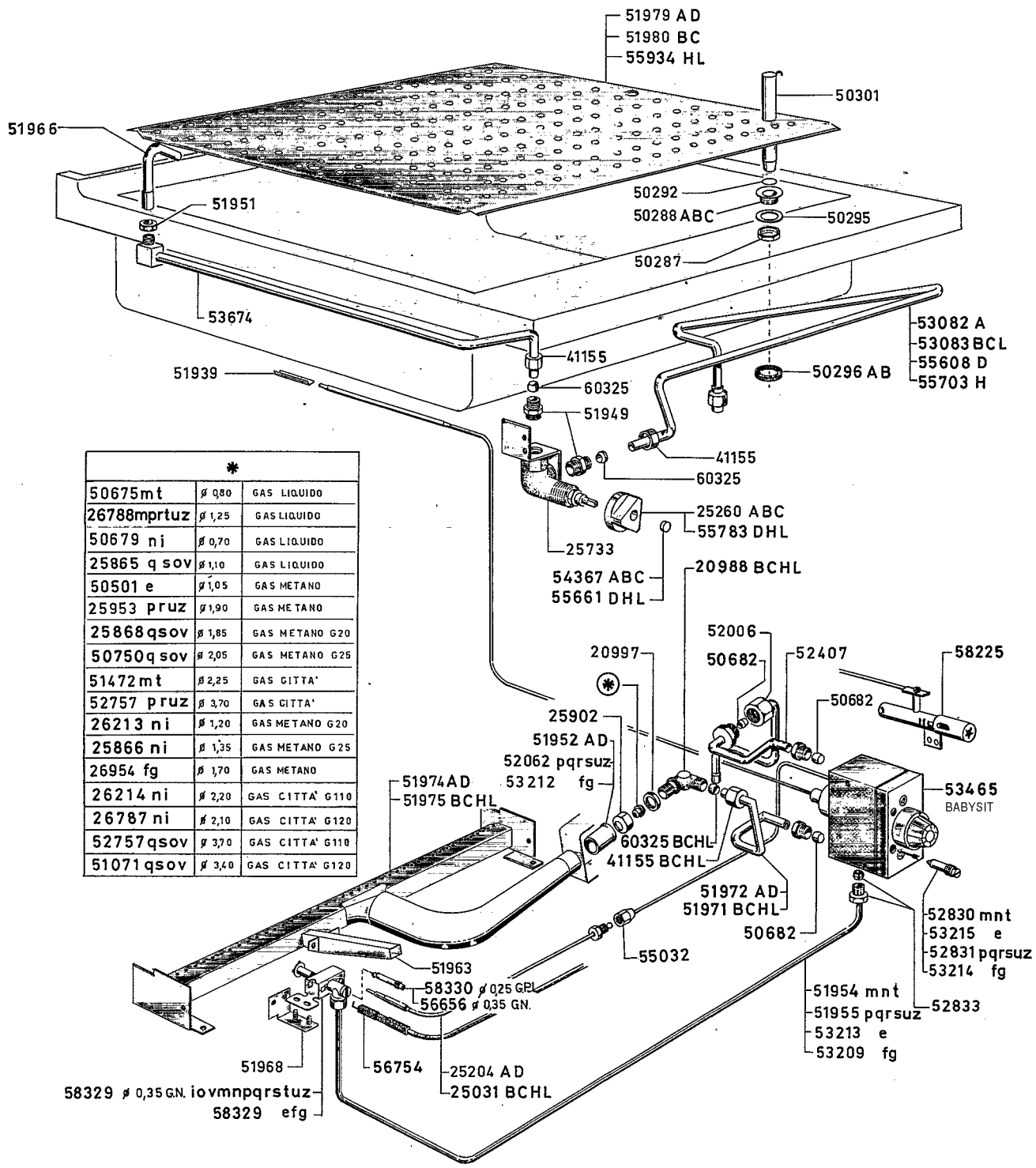
© RIPRODUZIONE, ANCHE PARZIALE, VIETATA

03 75-05 a

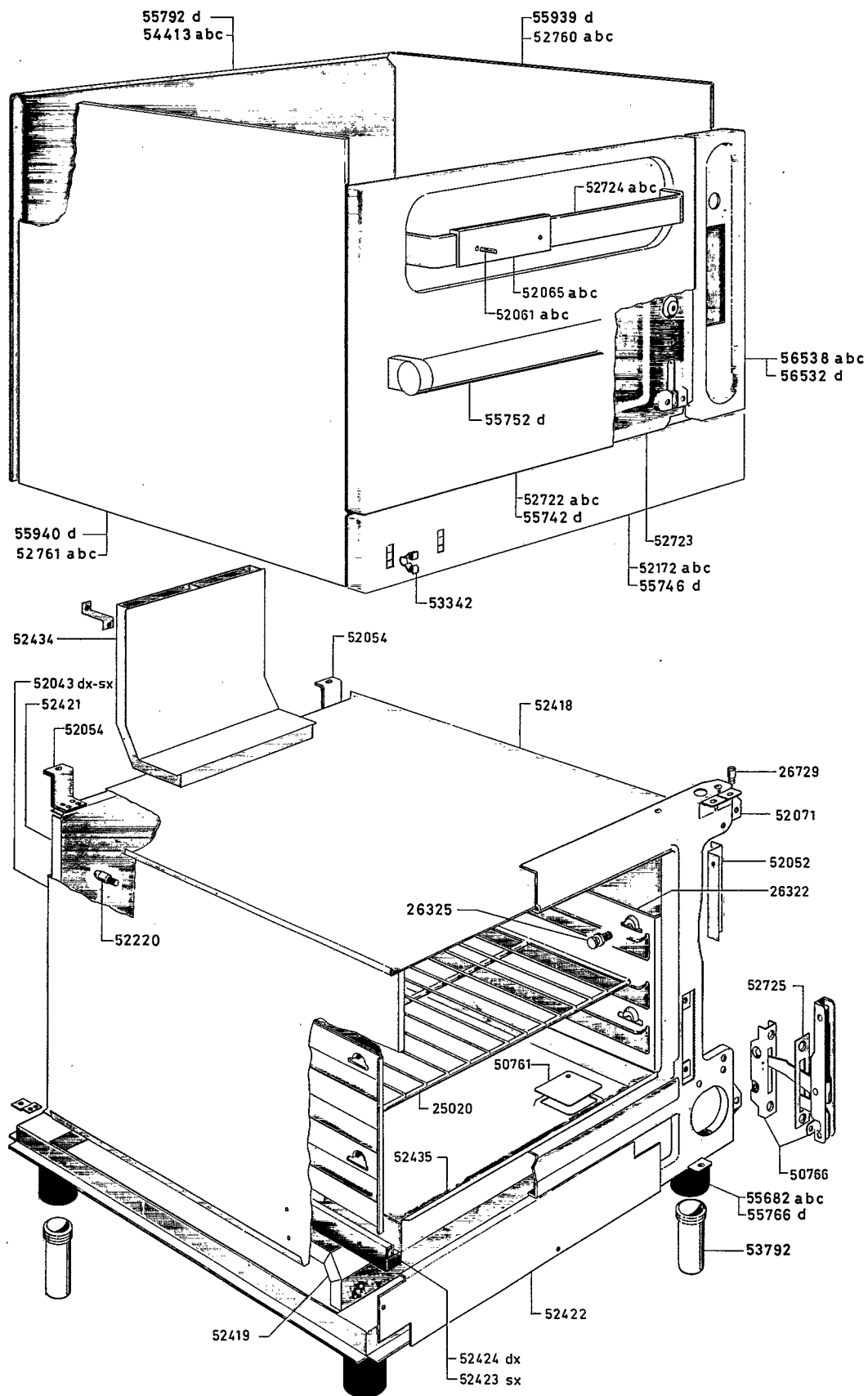
Revised 03 - 91



"H 900" BAGNOMARIA A GAS "H 900" GAS BAIN-MARIE									RIF. REF.	Da matricola from serial No
A			B			C			15 11 88	
m	n	e	p	q	f	r	s	g		
293 000 HMS/G400	293 041 HMS/G400D	293 062 HMS/G400NL	293 004 HMS/G 800	293 042 HMS/G800 D	293 063 HMS/G800NL	293 008 HMA/G 800	293 043 HMA/G800 D	293 064 HMA/G800NL		
D			H			L				
t			u			z				
2KM01B			2KM03B			2KM05B				



"H 900" BAGNOMARIA A GAS "H 900" GAS BAIN-MARIE									RIF. Da matricola REF. from serial N°
A			B			C			01 02 91
m	n	e	p	q	f	r	s	g	
293 000	293 041	293 062	293 004	293 042	293 063	293 008	293 043	293 064	
293 100	HMS/G400D	HMS/G400NL	293 105	HMS/G800 D	HMS/G800NL	HMA/G 800	HMA/G800 D	HMA/G800NL	
D			H			L			
t	i		u	o		z	v		
2 KM01B	770 315		2KM03B	770 316		2KM05B	770 317		
770 536	774 200		770 537	774 201					
									03 75-06 a



TCR 1178 03.75-07/03.75-08

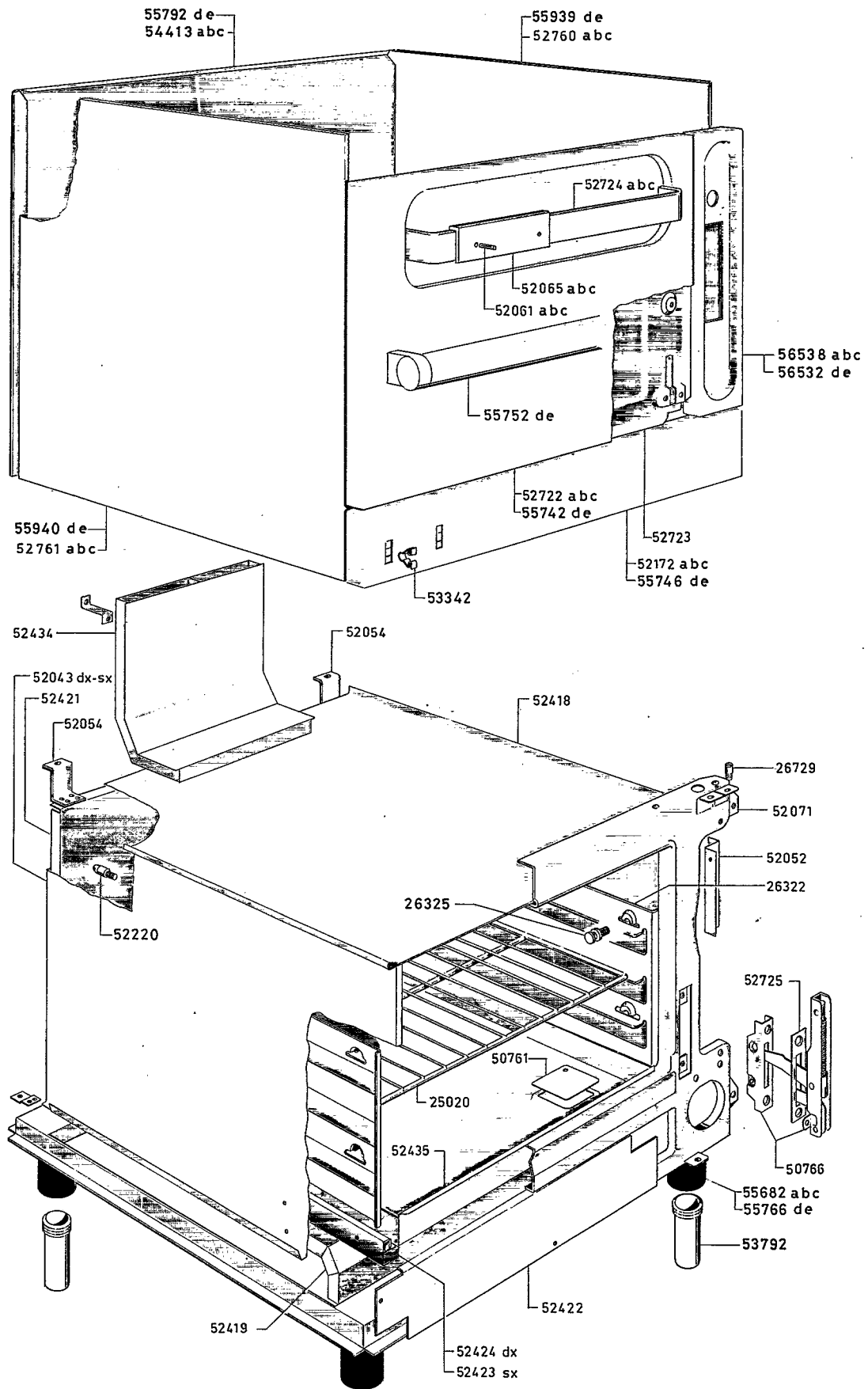
ARMADI CALDI A GAS -H900-				da matr.
-H 900- GAS HOTCUPBOARD				from serial
a	b	c	d	15 11 88
293008	293043	293064	2 KM 05 B	
HMA / G 800	HMA / G 800 D	HMA / G 800 NL		

Zanussi Grandi Impianti S.p.A.
Via Cesare Battisti, 12 - 31015 Conegliano (TV)
Italy

© RIPRODUZIONE, ANCHE PARZIALE, VIETATA

03 75-07

Revised 02-89



TCR 1498 03.75-07a / 03.75-08a

**ARMADI CALDI A GAS -H900-
-H 900- GAS HOTCUPBOARD**

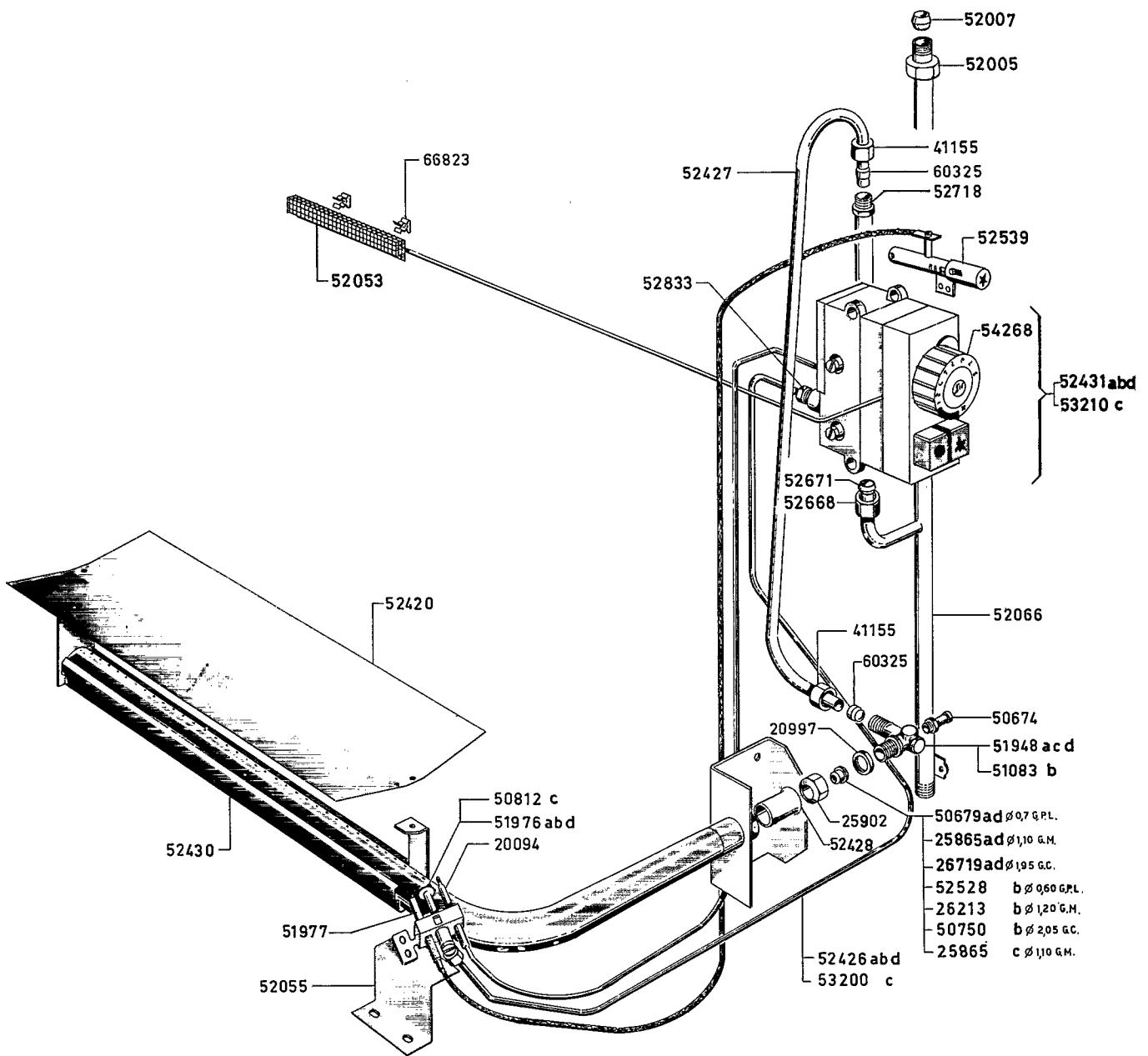
a	b	c	d	e	da matr. from serial
293008 HMA / G 800	293043 HMA/G800 D	293064 HMA/G 800 NL	2 KM 05 B	770 317	01 02 91

Zanussi Grandi Impianti S.p.A.
Via Cesare Battisti, 12 - 31015 Conegliano (TV)
Italy

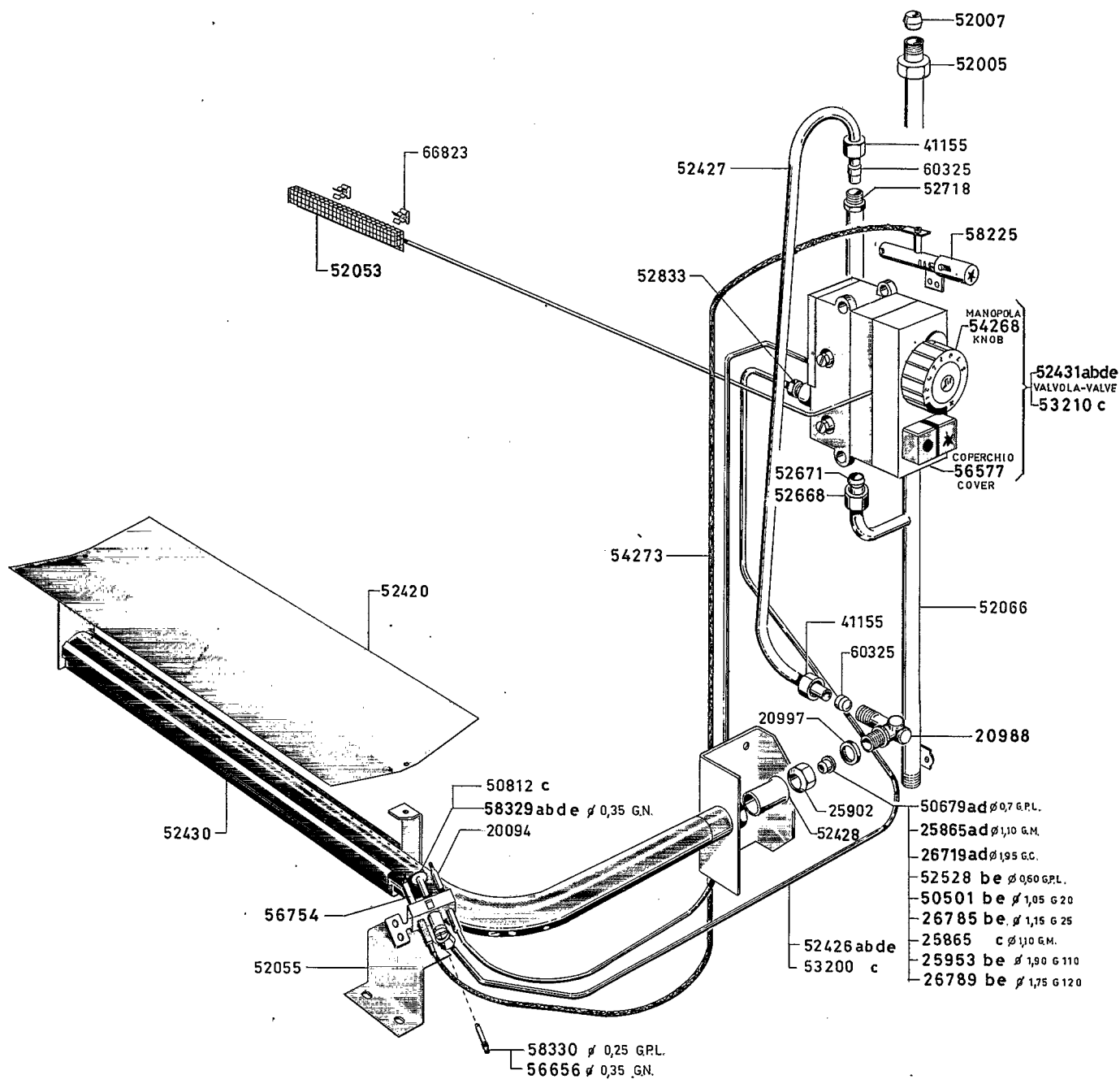
© RIPRODUZIONE, ANCHE PARZIALE, VIETATA

03 75-07 a

Revised 03 - 91



ARMADI CALDI A GAS -H 900- -H 900- GAS HOTCUPBOARD				da matr from serial
a	b	c	d	
293008 HMA/G 800	293043 HMA G800D	293064 HMA G800NL	2 KM 05 B	15 11 88
				03 75-08



ARMADI CALDI A GAS -H 900- -H 900- GAS HOTCUPBOARD					da matr from serial
a	b	c	d	e	
293008 HMA/G 800	293043 HMA G800D	293064 HMA G800NL	2 KM 05 B	770 317	01 02 91

03 75-08 a