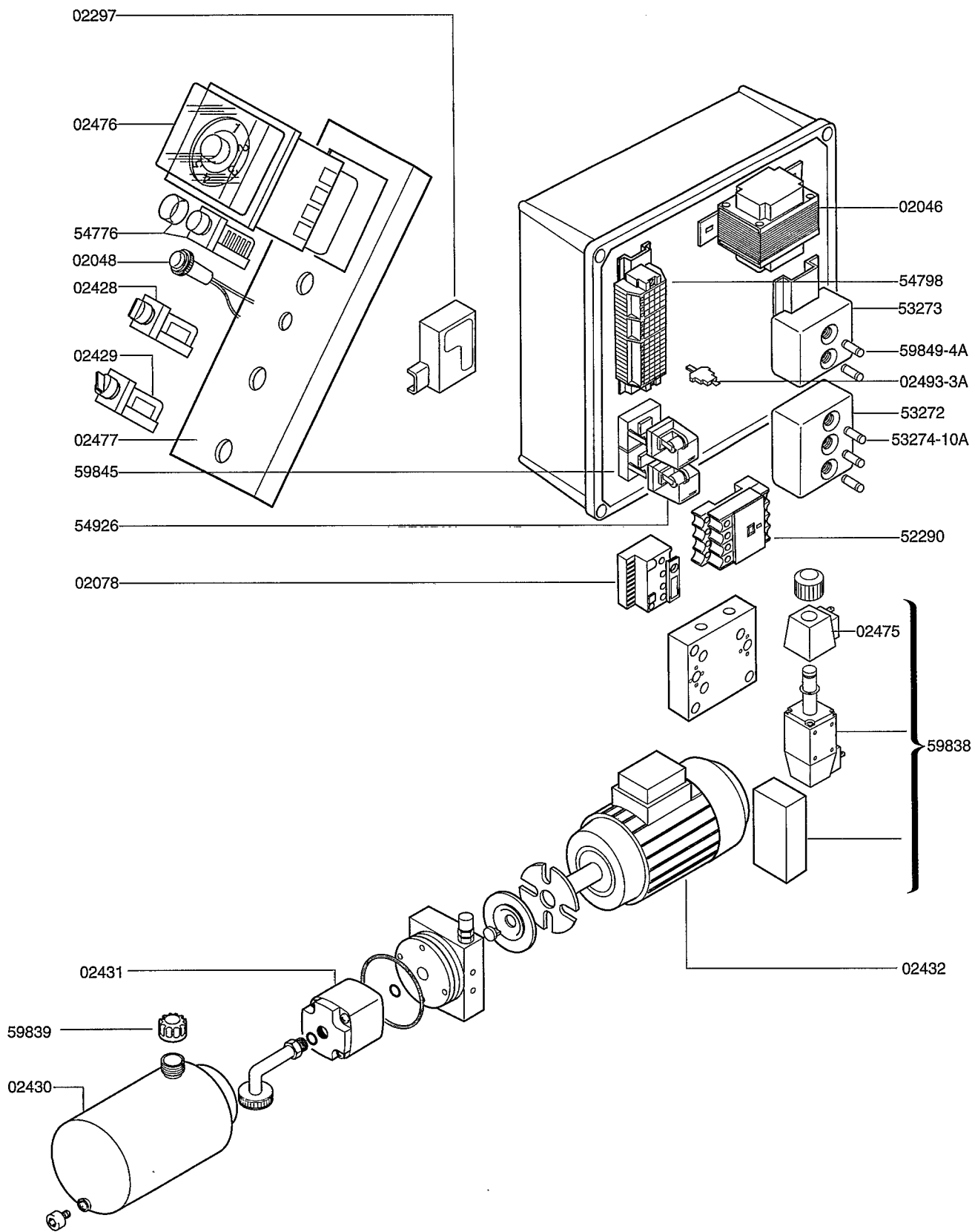


" 900 "		CUOCI PASTA AUTOMATICO AUTOMATIC PASTA COOKER		RIF. REF.	Da matricola From serial N°
	a	b			407...
Z	204 017	204 018			
P	214 017	214 018			
	HCPA/G1219 - CR20G	HCPA/G1 1219 - CR20GI			



CUOCI PASTA AUTOMATICO AUTOMATIC PASTA COOKER		RIF. REF.	Da matricola From serial N°
	a	b	
Z	204 017	204 018	407...
P	214 017	214 018	
	HCPA/G1219 - CR20G	HCPA/GI 1219 - CR20GI	

**GAS AUTOMATIC PASTA COOKER
CUOCIPASTA AUTOMATICO A GAS**

Code	Type	Ref.
204 017	HCPA/G 1219 (CR20)	a
204 018	HCPA/GI 1219 (CR20)	b
214 017	ZCPA/G 1219 (CR20)	c
214 018	ZCPA/GI 1219 (CR20)	d

	Index	Indice
Pag. 1	Structure components	Componenti strutturali
2	Gas plant	Impianto gas
3	Electric components and Oleodynamic device unit	Componenti elettrici e centralina oleodinamica
4-6	Spare parts list	Lista ricambi

Brand / Marchio : Z- P
Factory code: PCM

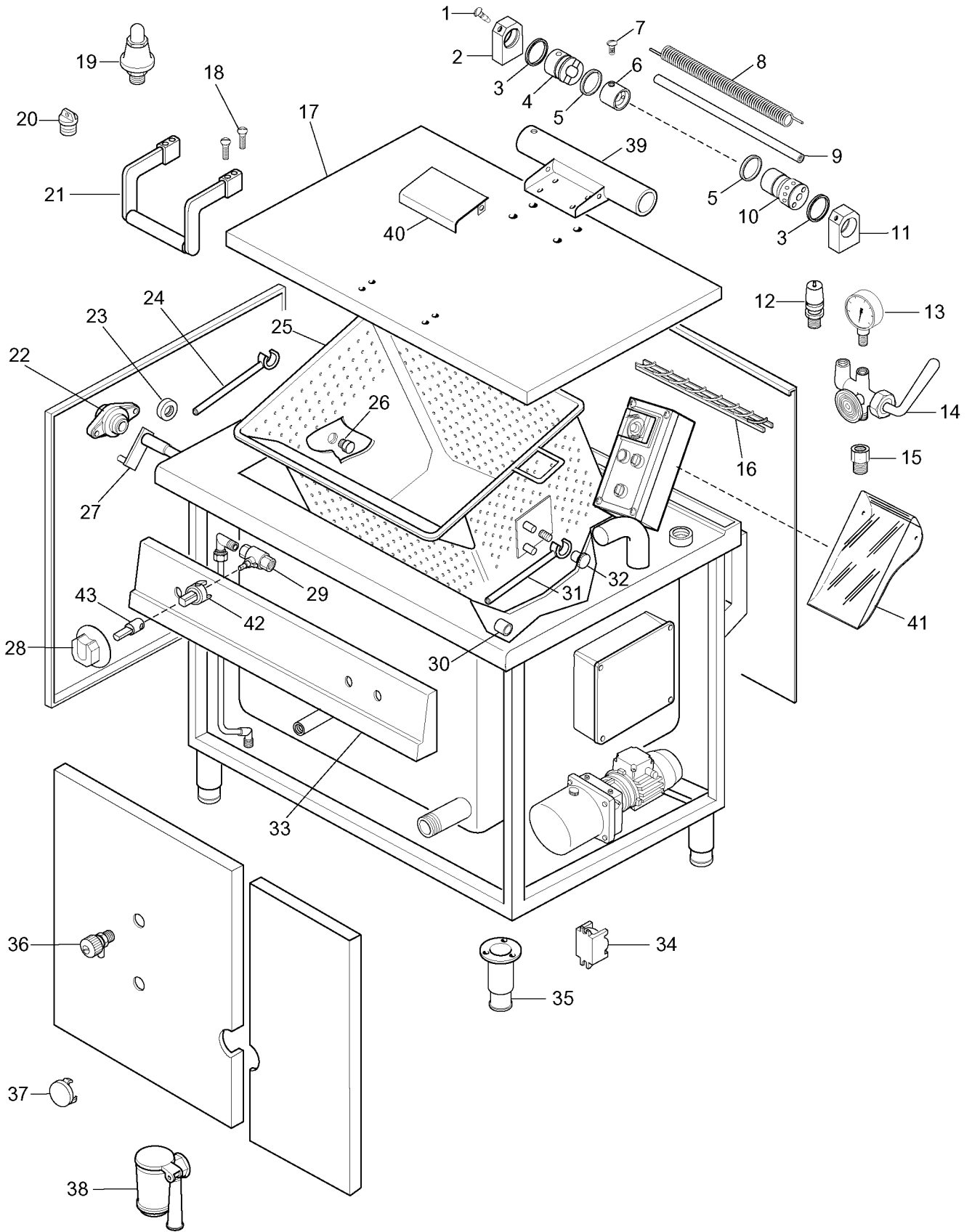
OS/DOC

From ser. nr. / Da Ser. Nr.: 407.....

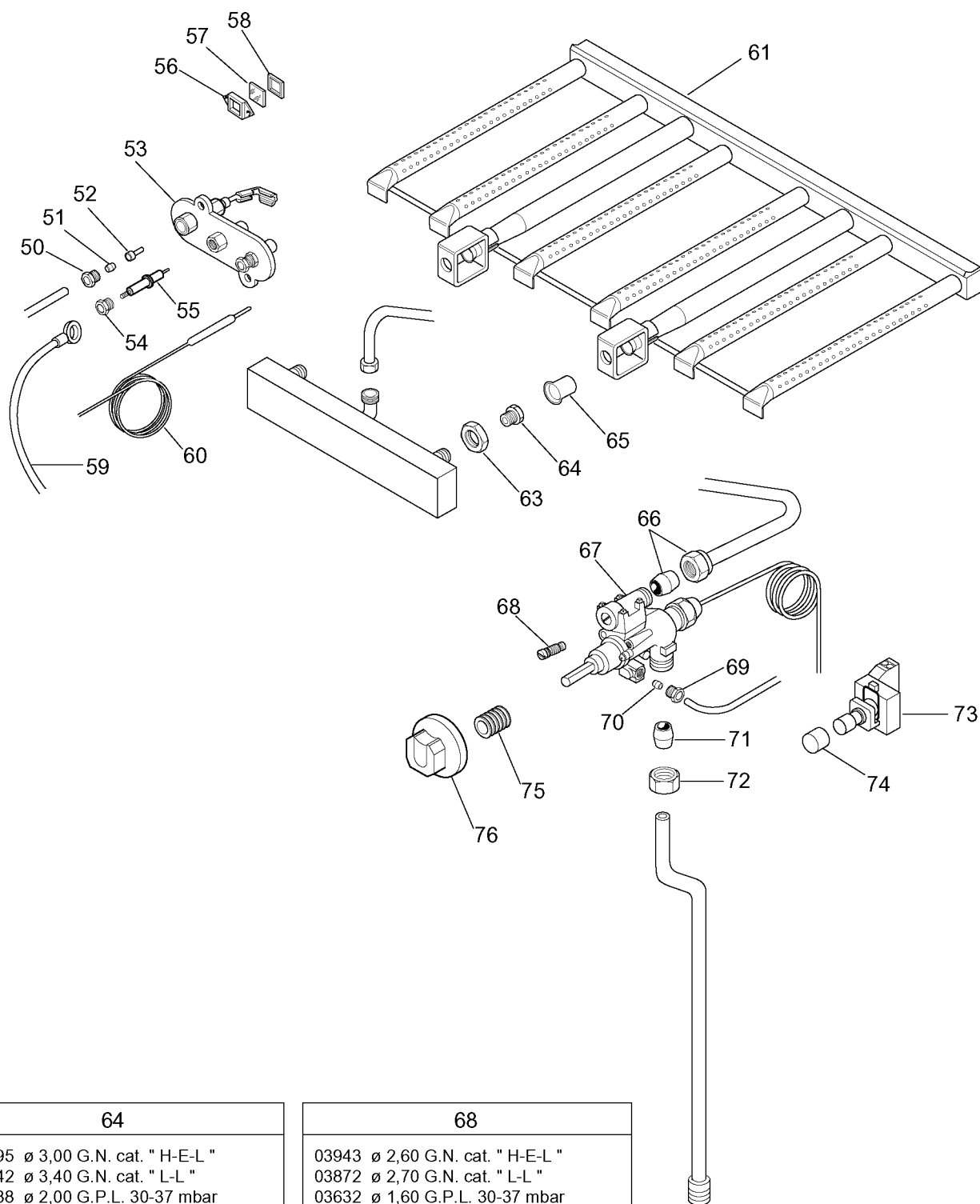
Ed. 0103

Doc. Nr.:

3 - 66 008



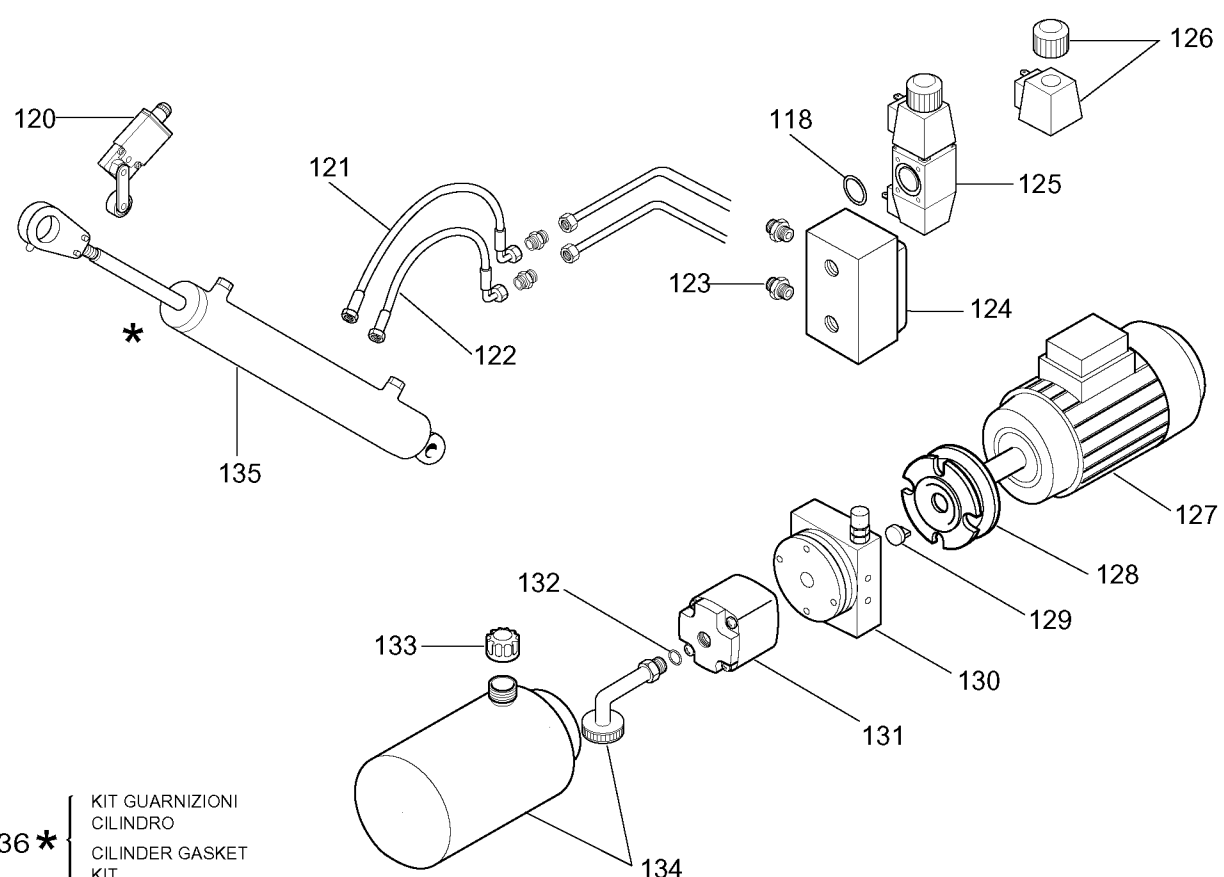
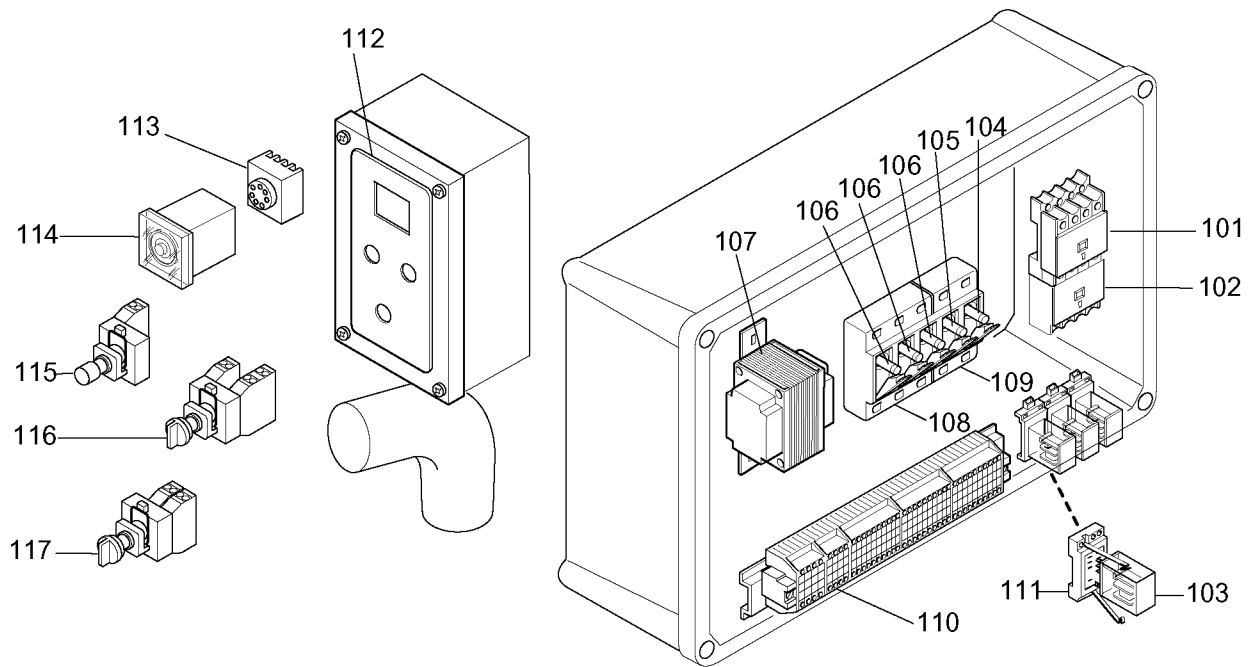
GAS AUTOMATIC PASTA COOKER
 CUOCIPASTA AUTOMATICO A GAS CR20G - CR20GI



64
02295 ø 3,00 G.N. cat. " H-E-L "
03942 ø 3,40 G.N. cat. " L-L "
03788 ø 2,00 G.P.L. 30-37 mbar
03789 ø 1,75 G.P.L. 50 mbar

68
03943 ø 2,60 G.N. cat. " H-E-L "
03872 ø 2,70 G.N. cat. " L-L "
03632 ø 1,60 G.P.L. 30-37 mbar
03631 ø 1,40 G.P.L. 50 mbar

GAS AUTOMATIC PASTA COOKER CR20G - CR20GI
 CUOCIPASTA AUTOMATICO A GAS



136* {
 KIT GUARNIZIONI
 CILINDRO
 CILINDER GASKET
 KIT

GAS AUTOMATIC PASTA COOKER CR20G - CR20GI
 CUOCIPASTA AUTOMATICO A GAS