

---

WE66MP, WE106MP

Washer extractor

Tvättmaskin

---



Group

Grupp

**WA94/NY132/OS43**

## List of issues

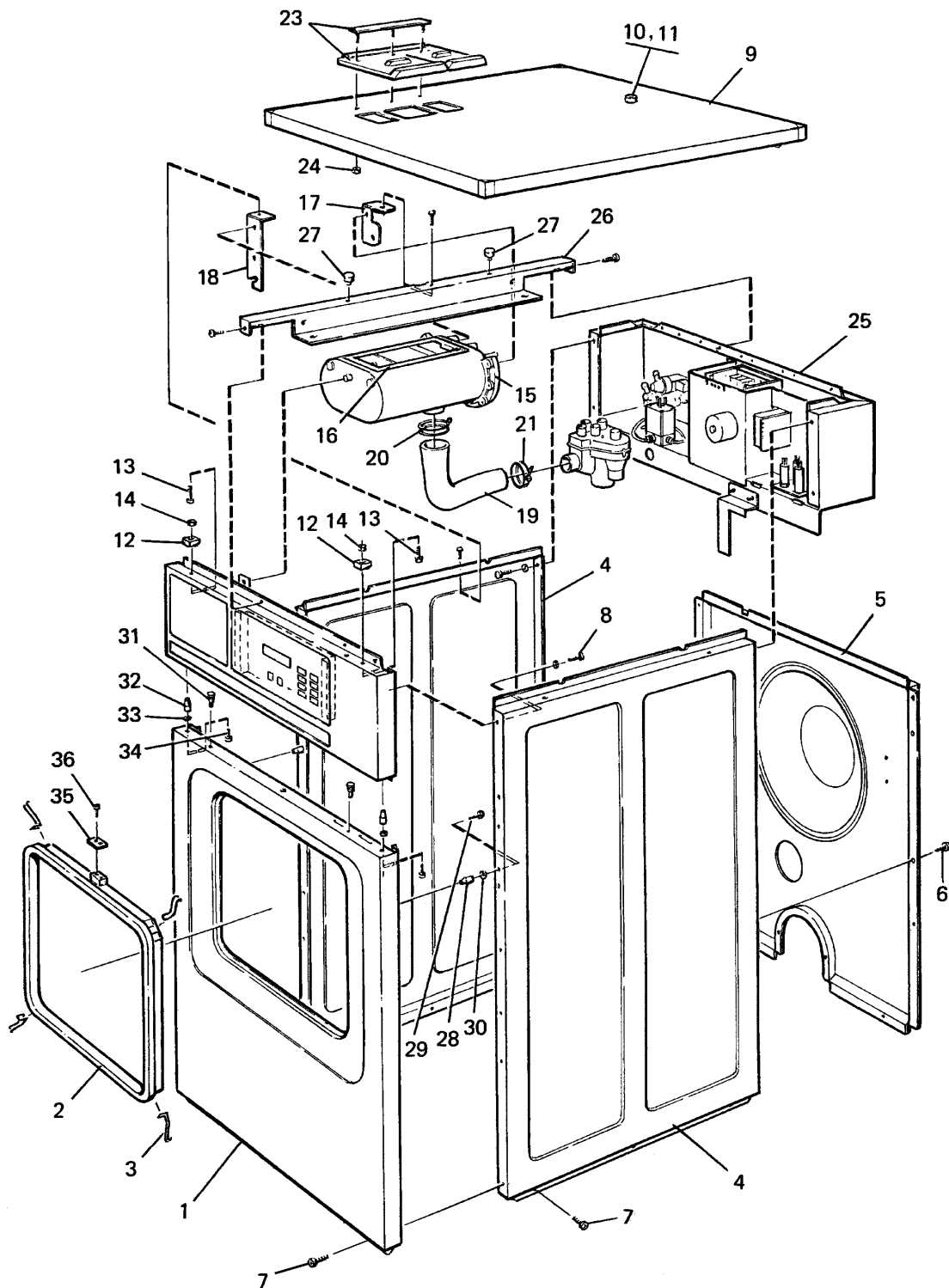
### **508E,808E,HS 2105E,HS 265E,WE66MP,WE66MP MopMaster,WE71MP MopMaster,WE106MP**

Illustration	Page	Table of contents
100230	51	Drain valve
100771	53	Drain valve
100797	59	Inlet valve 3/4", 3-way
100798	57	Inlet valve 3/4", 2-way
100799	55	Inlet valve 3/4", 1-way
101150	61	Control unit
101348	11	Counterweights and base
101349	13	Outer drum
101350	9	Panels
101351	25	Control panel
101352	31	Door
101353	19	Back plate with inner drum
101354	33	Water alternatives
101355	35	Steam components
101356	37	Coin meter components
101357	43	Pump unit
101358	29	Electric components
101362	17	Motor
101366	63	Detergent container
101374	23	Back plate with inner drum
101378	45	Cables
101399	47	Technical documentation
101439	39	Coin meter details, coges
101476	21	Back plate with inner drum
101482	15	Heating
101483	27	Control panel
101723	49	Pump unit
101796	41	Control unit, single system



**508E,808E,HS 2105E,HS 265E,WE66MP,WE66MP MopMaster,WE71MP MopMaster,WE106MP**

Table of contents	Innehållsförteckning	Page/Sida
Panels	Paneler	9
Counterweights and base	Motvikter och stativ	11
Outer drum	Yttertrumma	13
Heating	Uppvärmning	15
Motor	Motor	17
Back plate with inner drum	Bakgavel med innertrumma	19
Back plate with inner drum	Bakgavel med innertrumma	21
Back plate with inner drum	Bakgavel med innertrumma	23
Control panel	Manöverpanel	25
Control panel	Manöver panel	27
Electric components	Eldetaljer	29
Door	Lucka	31
Water alternatives	Vattenalternativ	33
Steam components	Ångdetaljer	35
*Coin meter components	Myntmätardetaljer	37
Coin meter details, coges	Myntmätardetaljer,coges	39
Control unit, single system	Styrenhet, betalsystem	41
Pump unit	Pumpenhet	43
Cables	Kablage	45
Technical documentation	Teknisk dokumentation	47
Pump unit	Pumpenhet	49
Drain valve	Avloppsventil	51
Drain valve	Avloppsventil	53
Inlet valve 3/4", 1-way	Tilloppsventil 3/4",1-vägs	55
Inlet valve 3/4", 2-way	Tilloppsventil 3/4",2-vägs	57
Inlet valve 3/4", 3-way	Tilloppsventil 3/4",3-vägs	59
Control unit	Styrenhet	61
Detergent container	Tvättmedelsbehållare	63



101350

Issue	Month	Year
02	02	04

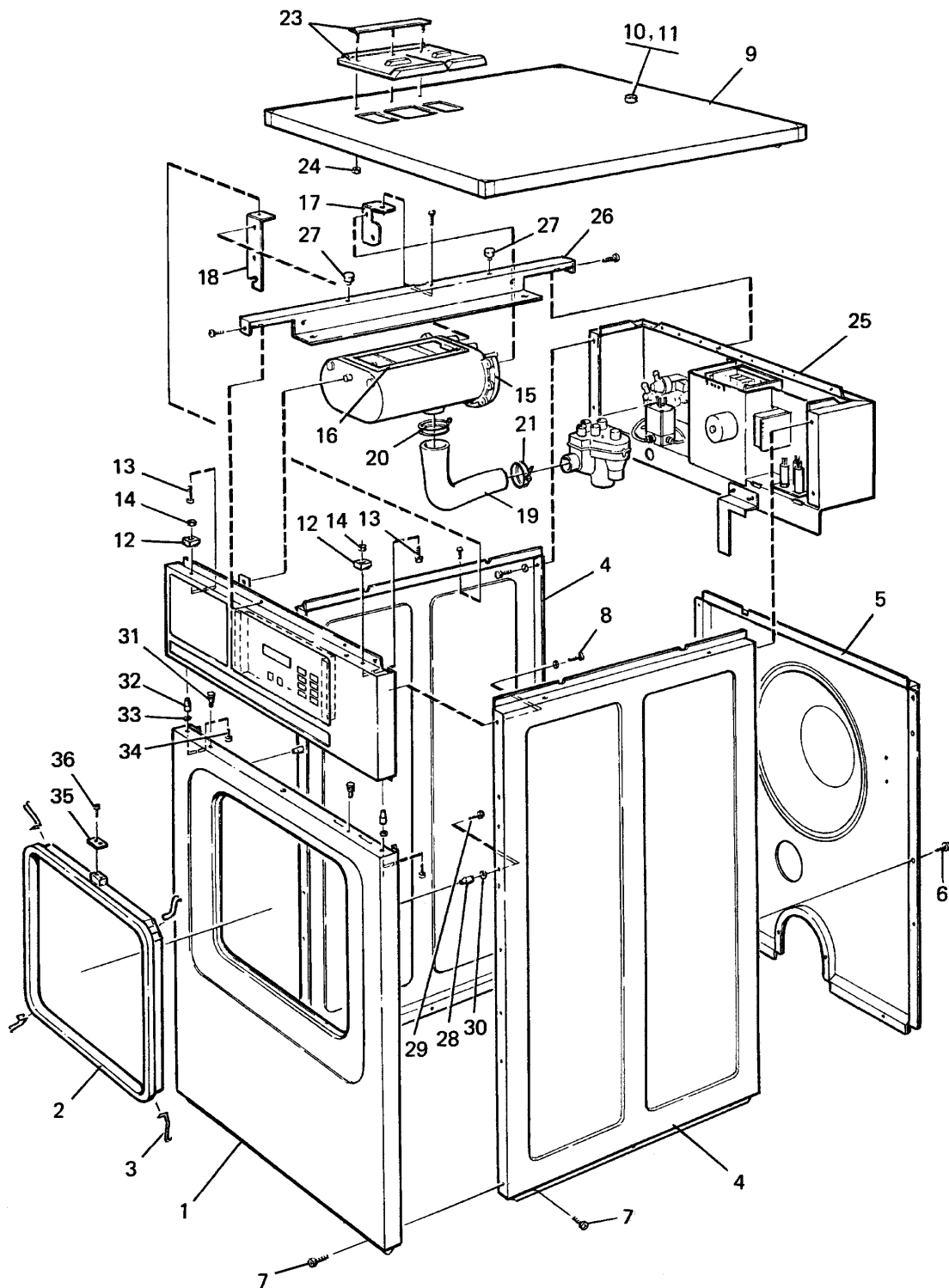
**508E,808E,HS 2105E,HS 265E,WE66MP,WE66MP MopMaster 99/75082-,WE71MP MopMaster,WE106MP**
**Panels**

Illustration Issue Month Year

Illustration Utgåva Månad År

**Paneler**
**101350**
**11**
**3**
**2005**

Item Pos.	Quantity Antal	Art.No Art.nr	Description	Benämning	Info Info	Notes Anmärkning
508E,HS 265E,WE66MP,WE66MP MopMaster,WE71MP MopMaster						
808E,HS 2105E,WE106MP						
1	1	1	472 8967-28	Front panel	3	White
	1	1	472 8967-27	Front panel	3	Red
	1	1	472 8967-20	Front panel	3	Yellow
	1	1	472 8967-26	Front panel	3	Stainless steel Zanussi
	1	1	472 8967-25	Front panel	3	SILVERGREY
	1	1	472 8967-24	Front panel	3	Grey Dubix
	1	1	472 8967-29	Front panel	3	Stainless steel
	1	1	472 8967-23	Front panel	3	Beige Zanussi
	1	1	472 8967-22	Front panel	3	Blue
2	1	1	472 8723-01	Frame	3	Black
3	4	4	472 8769-01	Spring	1	
4	2		438 5327-02	Side panel	3	White
	2		438 5327-01	Side panel	3	Red
	2		438 5327-04	Side panel	3	Beige Zanussi
	2		438 5327-05	Side panel	3	Stainless steel
	2		438 5328-01	Side panel	3	Red
	2		438 5328-02	Side panel	3	White
	2		438 5328-04	Side panel	3	Beige Zanussi
	2		438 5328-05	Side panel	3	Stainless steel
5	1	1	438 5329-01	Rear panel	3	El, HW
	1	1	438 5329-02	Rear panel	3	Steam
6	RQ	RQ	471 8340-22	Screw	3	4,2X9,5
7	RQ	RQ	471 8341-46	Screw	3	MRT6X16
8	4	4	471 8342-23	Screw	3	MRT-TT 5X10
9	1		438 5322-01	Top panel	3	NO COIN-METER
	1		438 5322-10	Top panel	3	Coin-meter
	1		438 5322-11	Top panel	3	COIN-METER AND LIQUID SUPPLY
	1		438 5322-31	Top panel	3	COIN-METER AND LIQUID SUPPLY
	1		438 5322-21	Top panel	3	NO COIN-METER
	1		438 5322-02	Top panel	3	LIQUID SUPPLY
	1		438 5322-30	Top panel	3	Coin-meter
	1		438 5322-22	Top panel	3	WITHOUT SOAP BOX
10	1	1	471 7829-03	Lock	1,2	COMPL. WITH KEY -xx/82115
	1	1	471 7829-03	Lock	1,2	COMPL.WITH KEY xx/82116-
11	1	1	471 7826-99	Nut	3	
12	2	2	438 5335-01	Guide	3	
13	2	2	471 8341-46	Screw	3	MRT6X16
14	2	2	732 2116-01	Locking nut	3	M6
15	1	1	472 6001-58	Detergent container	1,2	1F-1H 1F-1H See group 8803
	1	1	472 6001-59	Detergent container	1,2	1F-2H 1F-2H See group 8803
	1	1	472 6001-64	Detergent container	1,2	1F-2H With insertion 1F-2H, USA
16	1	1	438 0460-01	•Gasket	1,2	
17	1	1	438 0151-01	Bracket	3	Right
18	1	1	438 5326-01	Bracket	3	Left
19	1		472 8759-01	Hose	1	
	1		472 8845-01	Hose	1	
20	1	1	736 2834-51	Hose clamp	3	Ø38-48
21	1	1	736 2840-51	Hose clamp	3	Ø50-63
22						Not used



101350

Issue	Month	Year
02	02	04



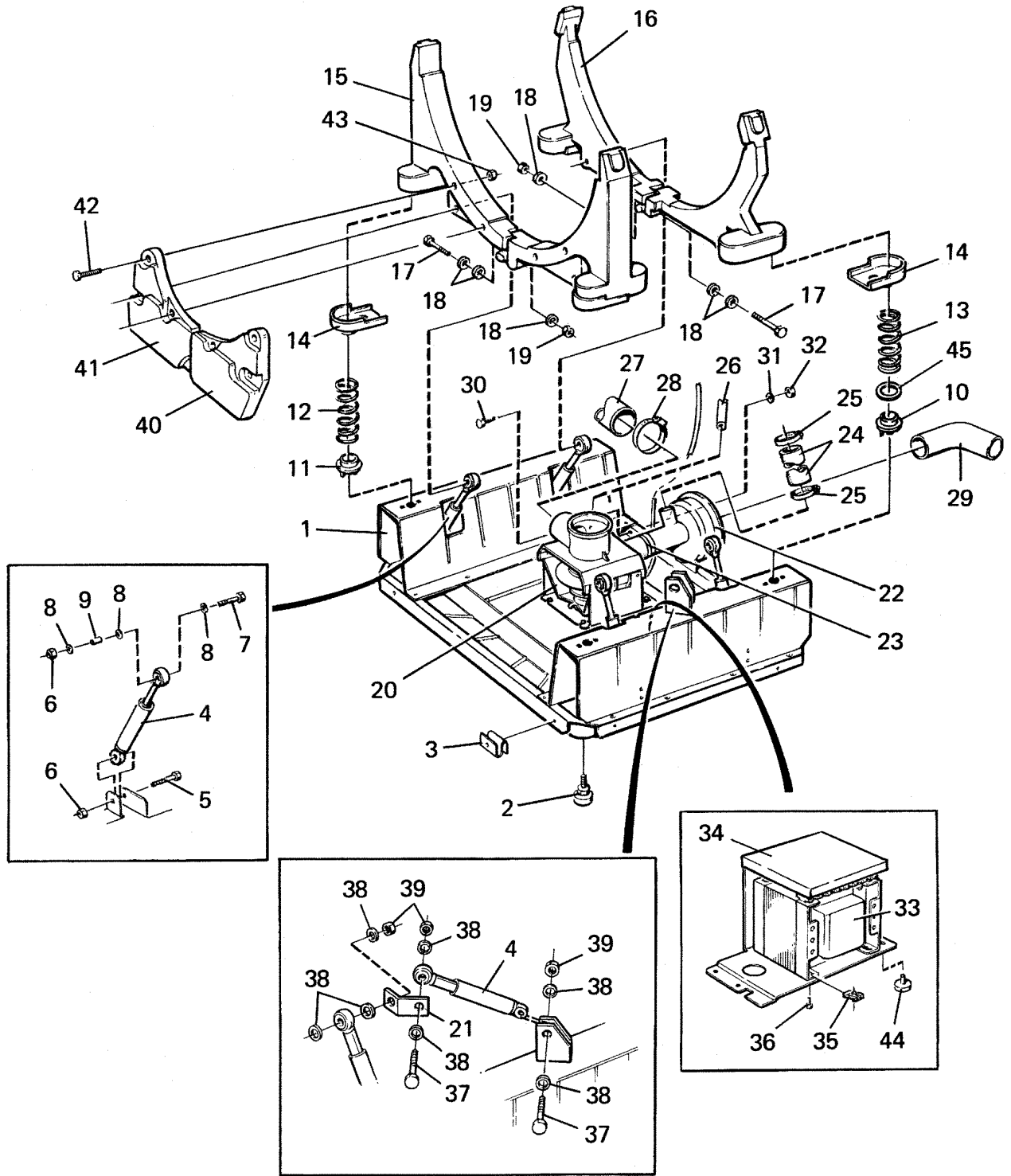
**508E,808E,HS 2105E,HS 265E,WE66MP,WE66MP MopMaster 99/75082-,WE71MP MopMaster,WE106MP****Panels**

Illustration Issue Month Year

Illustration Utgåva Månad År

**Paneler****101350 11 3 2005**

Item Pos.	Quantity Antal	Art.No Art.nr	Description	Benämning	Info Info	Notes Anmärkning
			508E,HS 265E,WE66MP,WE66MP MopMaster,WE71MP MopMaster			
			808E,HS 2105E,WE106MP			
23	1	1	472 9902-59	Cover	Lock	1
24	3	3	731 2314-42	•Nut	•Mutter	3 M4
25	1		438 5349-02	Brace bracket	Stagplåt	3 White
	1		438 5349-01	Brace bracket	Stagplåt	3 Red
	1		438 5349-03	Brace bracket	Stagplåt	3 Stainless steel
	1		438 5349-04	Brace bracket	Stagplåt	3 Beige Zanussi
		1	438 5542-01	Brace bracket	Stagplåt	3 Red
		1	438 5542-02	Brace bracket	Stagplåt	3 White
		1	438 5542-03	Brace bracket	Stagplåt	3 Stainless steel
		1	438 5542-04	Brace bracket	Stagplåt	3 Beige Zanussi
26	1		438 5342-01	Brace	Stag	3
		1	438 5343-01	Brace	Stag	3
27	2	2	471 8641-01	Plug	Plugg	3
28	2	2	472 8773-01	Bracket	Hållare	3
29	2	2	471 8341-13	Screw	Skruv	3 MRT 4X10
30	2	2	735 2136-01	Lock washer	Låsbricka	3 AZ 4,3
31	2	2	471 8196-01	Plug	Plugg	3
32	2	2	438 5109-02	Guide pin	Styrpinne	3
33	2	2	735 2136-01	Lock washer	Låsbricka	3 AZ 4,3
34	2	2	471 8454-07	Rivet	Nit	3
35	1	1	472 8855-01	Washer	Bricka	3
36	2	2	471 8346-02	Screw	Skruv	3



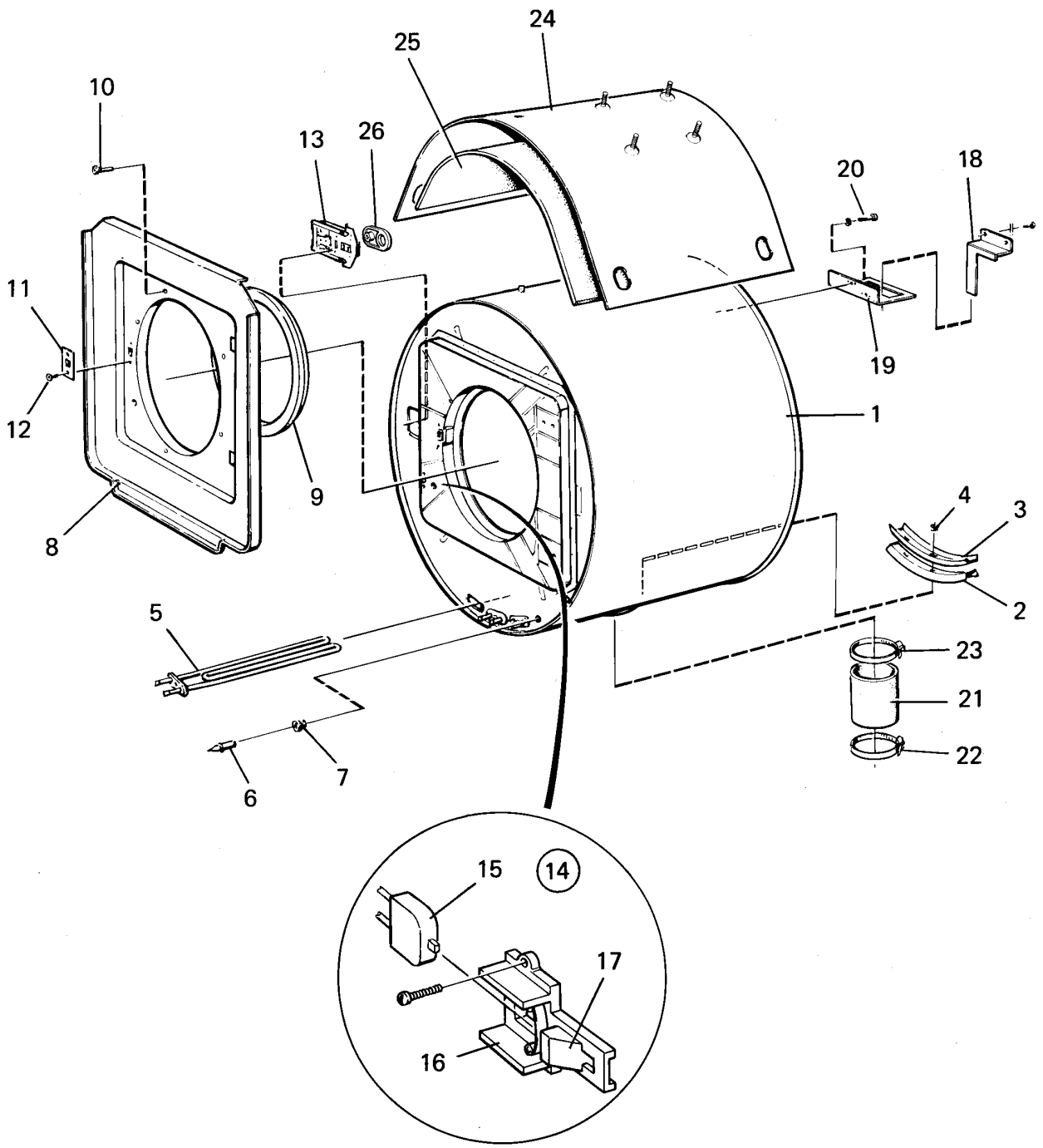
**508E,808E,HS 2105E,HS 265E,WE66MP,WE66MP MopMaster,WE71MP MopMaster,WE106MP****Counterweights and base**

Illustration Issue Month Year

Illustration Utgåva Månad År

**Motvikter och stativ****101348****4****5****2005**

Item Pos.	Quantity Antal	Art.No Art.nr	Description	Benämning	Info Info	Notes Anmärkning
			508E,HS 265E,WE66MP,WE66MP MopMaster,WE71MP MopMaster			
			808E,HS 2105E,WE106MP			
1	1	472 8746-03	Bottom plate	Bottenplatta	1	
	1	472 8823-03	Frame	Stativ	3	
2	4	471 8194-01	Foot	Fot	3	
3	12	471 7864-01	Clip	Clips	3	M6
4	4	471 8259-01	Shock absorber	Stötdämpare	1,2	
	5	471 8252-04	Shock absorber	Stötdämpare	1,2	
5	4	725 2459-51	Screw	Skruv	3	M8X40
6	16	732 2118-01	Locking nut	Låsmutter	3	M8
7	4	725 2466-51	Screw	Skruv	3	M8X75
8	12	734 1164-01	Washer	Bricka	3	8,4X17
9	4	472 9716-01	Sleeve	Hylsa	1	
10	2	472 8813-01	Spring retainer	Fjäderfäste	3	
11	2	472 9737-02	Spring retainer	Fjäderfäste	3	
12	2	471 7810-07	Spring	Fjäder	1	Red
	2	471 7810-10	Spring	Fjäder	1	Red
13	2	471 7810-08	Spring	Fjäder	1	Blue
	2	471 7810-10	Spring	Fjäder	1	Red
14	4	472 8814-01	Spring retainer	Fjäderfäste	3	
15	2	472 9738-02	Balance weight	Balansvikt	3	FRONT
	2	472 9738-01	Balance weight	Balansvikt	3	FRONT
16	2	472 8954-01	Balance weight	Balansvikt	3	Rear
17	2	725 2515-51	Screw	Skruv	3	M10X120
18	6	734 1173-31	Washer	Bricka	3	
19	2	732 2118-01	Locking nut	Låsmutter	3	M8
20	1	438 0093-10	Drain valve	Avloppsventil	1,2	Complete See group 8107
	1	472 8754-10	Drain valve	Avloppsventil	1,2	230V See group 8106
	1	472 8754-02	Drain valve	Avloppsventil	1,2	120V 60Hz See group 8106
21	1	472 9736-01	Shock absorber mounting	Stötdämparfäste	3	
22	1	472 8722-01	Connection	Stos	3	
23	1	736 2840-51	Hose clamp	Slangklämma	3	Ø50-63
24	1	471 8134-04	Hose	Slang	1,2	
25	2	736 2146-11	Hose clamp	Slangklämma	3	
26	1	471 2425-28	Hose	Slang	1,2	L=1500
27	1	472 8761-01	Hose	Slang	1,2	
28	1	736 2837-51	Hose clamp	Slangklämma	3	Ø48-54
29	1	438 5040-01	Drain hose	Avloppsslang	1	Ø50
30	1	725 2374-51	Screw	Skruv	3	M6X30
31	1	735 2153-01	Lock washer	Låsbricka	3	6,4
32	1	731 2316-01	Nut	Mutter	3	M6
33	1	471 9550-32	Transformer	Transformator	1	PRIM. 100,120,200V, SEC. 230
34	1	438 5358-01	Mounting plate	Monteringsplåt	3	
35	4	471 7864-02	Clip	Clips	3	M5
36	2	471 8341-24	Screw	Skruv	3	M5X12
37	2	725 2501-51	Screw	Skruv	3	M10X50
38	7	734 1173-01	Washer	Bricka	3	BRB 10,5X21
39	3	732 2120-01	Locking nut	Låsmutter	3	M10
40	1	472 9739-01	Balance weight	Balansvikt	3	Right
41	1	472 9740-01	Balance weight	Balansvikt	3	Left
42	7	725 2515-71	Screw	Skruv	3	M10X120
43	7	732 2120-01	Locking nut	Låsmutter	3	M10
44	8	471 8641-01	Plug	Plugg	3	
45	4	472 8912-01	Shim	Mellanlägg	3	



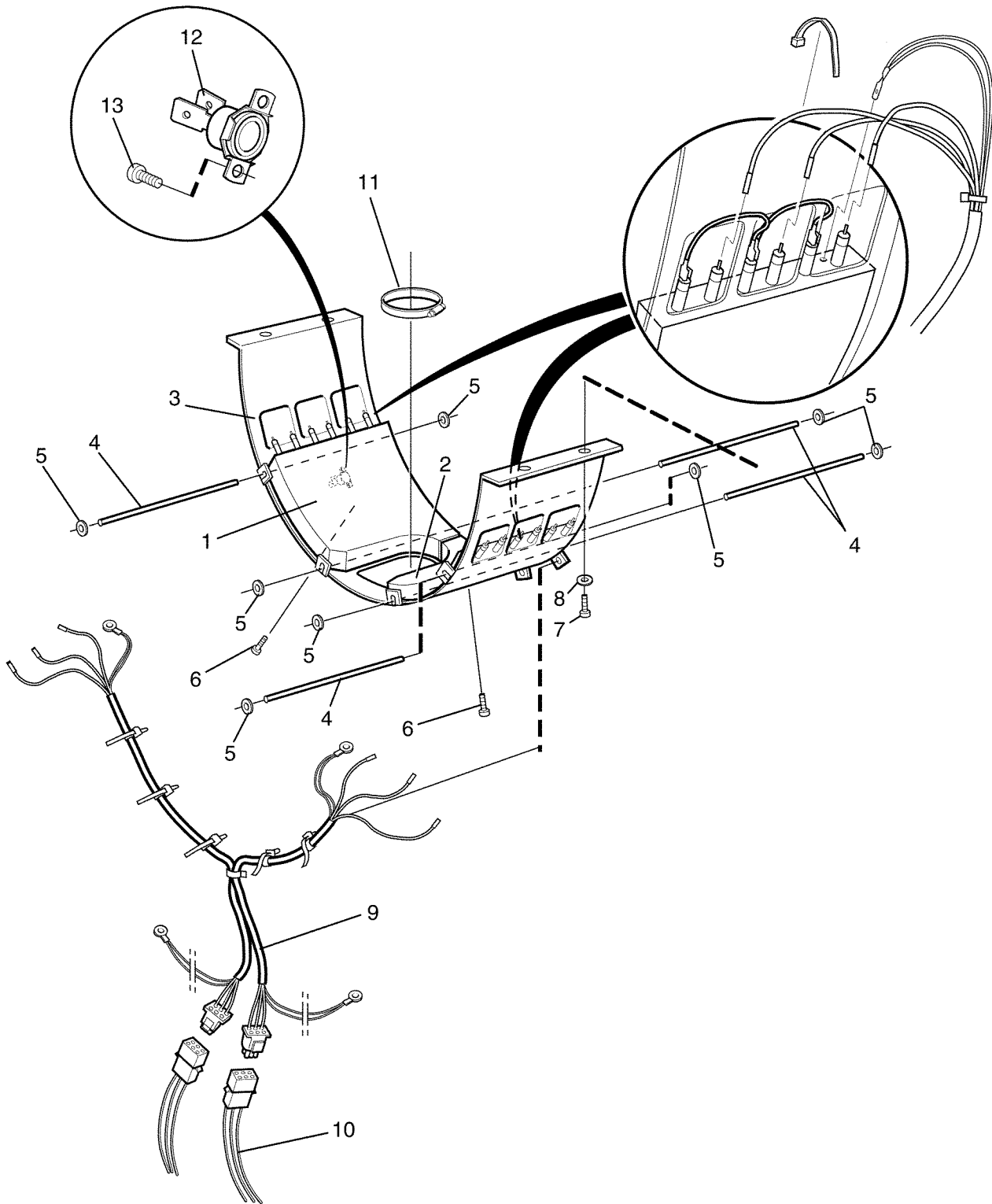
**508E,808E,HS 2105E,HS 265E,WE66MP,WE66MP MopMaster,WE71MP MopMaster,WE106MP****Outer drum**

Illustration Issue Month Year

Illustration Utgåva Månad År

**Yttertrumma****101349 4 11 2000**

Item Pos.	Quantity Antal	Art.No Art.nr	Description	Benämning	Info Info	Notes Anmärkning
			508E,HS 265E,WE66MP,WE66MP MopMaster,WE71MP MopMaster			
			808E,HS 2105E,WE106MP			
1	1	471 4654-03	Outer drum	Yttertrumma	3	
	1	471 4656-12	Outer drum	Yttertrumma	3	
2	1	472 8779-01	Bracket	Hållare	3	
3	1	472 8778-01	Bracket	Hållare	3	
4	1	732 2114-92	Locking nut	Låsmutter	3	M5
5	3	471 9812-12	Heating element	Element	1,2	230V 2,5kW
	3	471 9812-13	Heating element	Element	1,2	254V 2,5kW
	3	471 9812-16	Heating element	Element	1,2	254V 1,8kW
	3	471 9812-17	Heating element	Element	1,2	220V 1kW
	3	471 9812-15	Heating element	Element	1,2	230V 1,8kW
	3	471 9812-14	Heating element	Element	1,2	2,5kW 277V
	3	471 9812-02	Heating element	Element	1,2	3KW 230V
	3	471 9812-05	Heating element	Element	1,2	3KW 254V
6	1	472 9913-22	Sensor	Givare	1,2	Complete
7	1	471 8192-01	•Bushing	•Bussning	1	
8	1	472 8724-02	Trim	Dekor	1	
9	1	472 8717-01	Gasket	Packning	1	
10	6	471 7961-01	Rivet	Nit	3	M4X10
11	1	472 8957-02	Washer	Bricka	3	
12	2	724 3291-42	Screw	Skruv	3	MFX 4X12,
13	1	471 7836-01	Door locking device	Lucklås	1,2	
14	1	472 9778-01	Bracket	Hållare	1	Complete
15	1	471 9654-03	•Microswitch	•Microbrytare	1,2	
16	1	472 9776-01	•Bracket	•Hållare	3	
17	1	472 9777-01	•Slide	•Slid	3	
18	1	438 5334-01	Clamp	Bygel	3	
19	1	438 5333-01	Hook	Krok	3	
20	1	725 2366-61	Screw	Skruv	3	M6SF 6X12
21	1	472 6026-01	Hose	Slang	1,2	
22	1	471 7851-04	Hose clamp	Slangklämma	3	
23	1	736 2852-51	Hose clamp	Slangklämma	3	Ø93-110
24	1	472 8964-01	Tension strap	Spännband	3	
	1	472 8964-02	Tension strap	Spännband	3	MOPMASTER
	1	438 5356-01	Stretching device	Spännband	3	
25	1	471 7559-50	Shock absorber mat	Dämpmatta	3	
	1	471 7559-51	Shock absorber mat	Dämpmatta	3	
26	1	438 5362-01	Cover	Skydd	1	



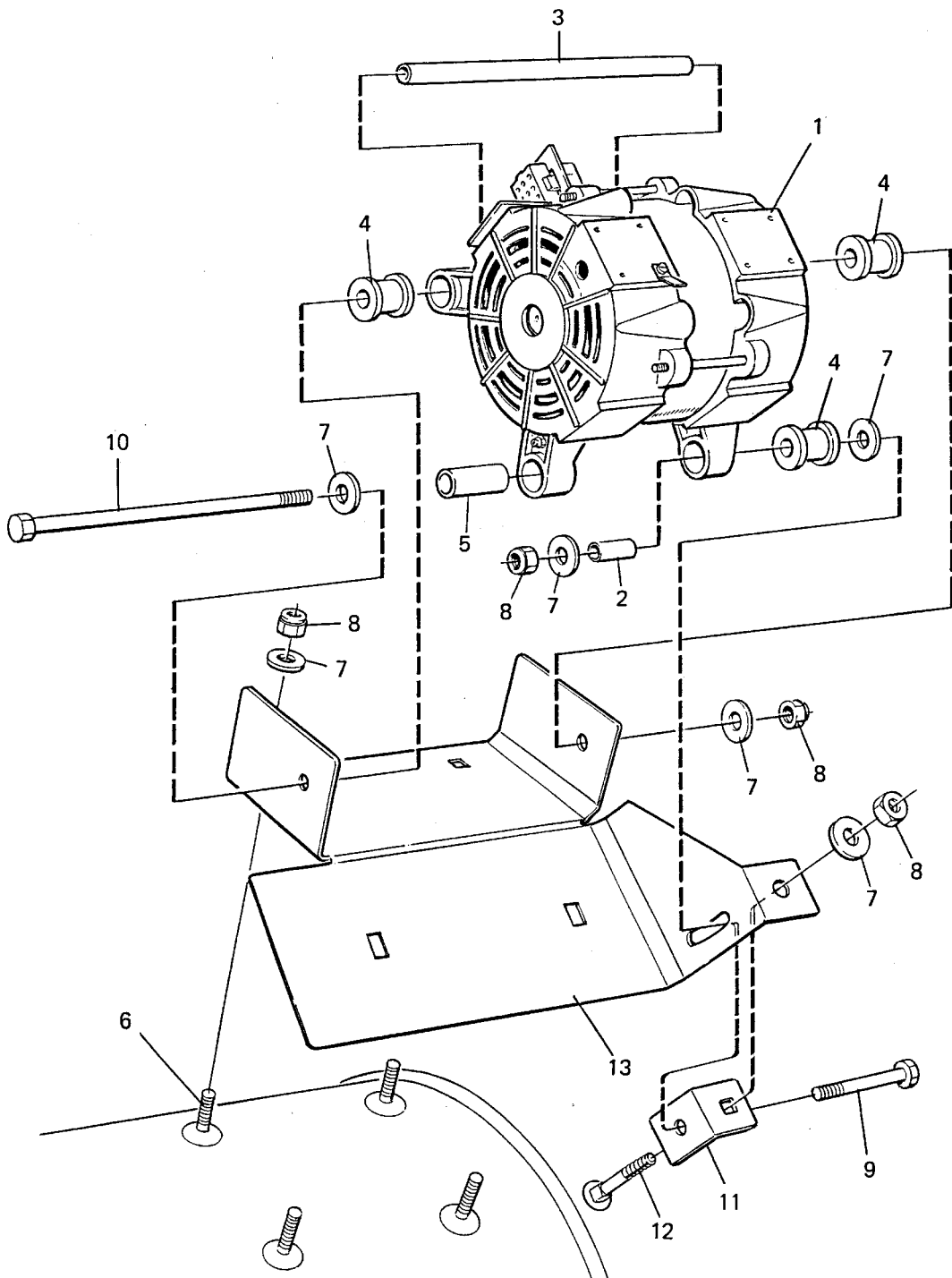
**WE66MP MopMaster,WE71MP MopMaster****Heating**

Illustration Issue Month Year

Illustration Utgåva Månad År

**Uppvärmning****101482 5 3 2003**

Item Pos.	Qua. Ant.	Art.No Art.nr	Description	Benämning	Info Info	Notes Anmärkning
<b>1</b>	1	<b>472 9904-09</b>	Heating element	Element	1,2	Kit Right
	1	<b>472 9904-11</b>	•Melt fuse	•Smältsäkring	1,2	Kit 6 pcs
<b>2</b>	1	<b>472 9904-10</b>	Heating element	Element	1,2	Kit Left
	1	<b>472 9904-11</b>	•Melt fuse	•Smältsäkring	1,2	Kit 6 pcs
<b>3</b>	1	<b>438 5466-01</b>	Plate	Plåt	3	
<b>4</b>	4	<b>471 7074-05</b>	Rod	Stång	3	
<b>5</b>	8	<b>735 5852-00</b>	Washer	Bricka	3	
<b>6</b>	2	<b>471 8342-23</b>	Screw	Skruv	3	MRT-TT 5X10
<b>7</b>	2	<b>438 5467-01</b>	Bracket	Fäste	3	
<b>8</b>	4	<b>725 2455-51</b>	Screw	Skruv	3	M8X30
<b>9</b>	1	<b>438 5350-57</b>	Cables	Kablage	3	
<b>10</b>	1	<b>438 5350-58</b>	Cables	Kablage	3	
<b>11</b>	1	<b>471 7875-01</b>	Hose clamp	Slangklämma	3	
<b>12</b>	1	<b>471 8824-02</b>	Thermostat	Termostat	1,2	99/75082-
<b>13</b>	2	<b>471 8341-03</b>	Screw	Skruv	3	M3X10





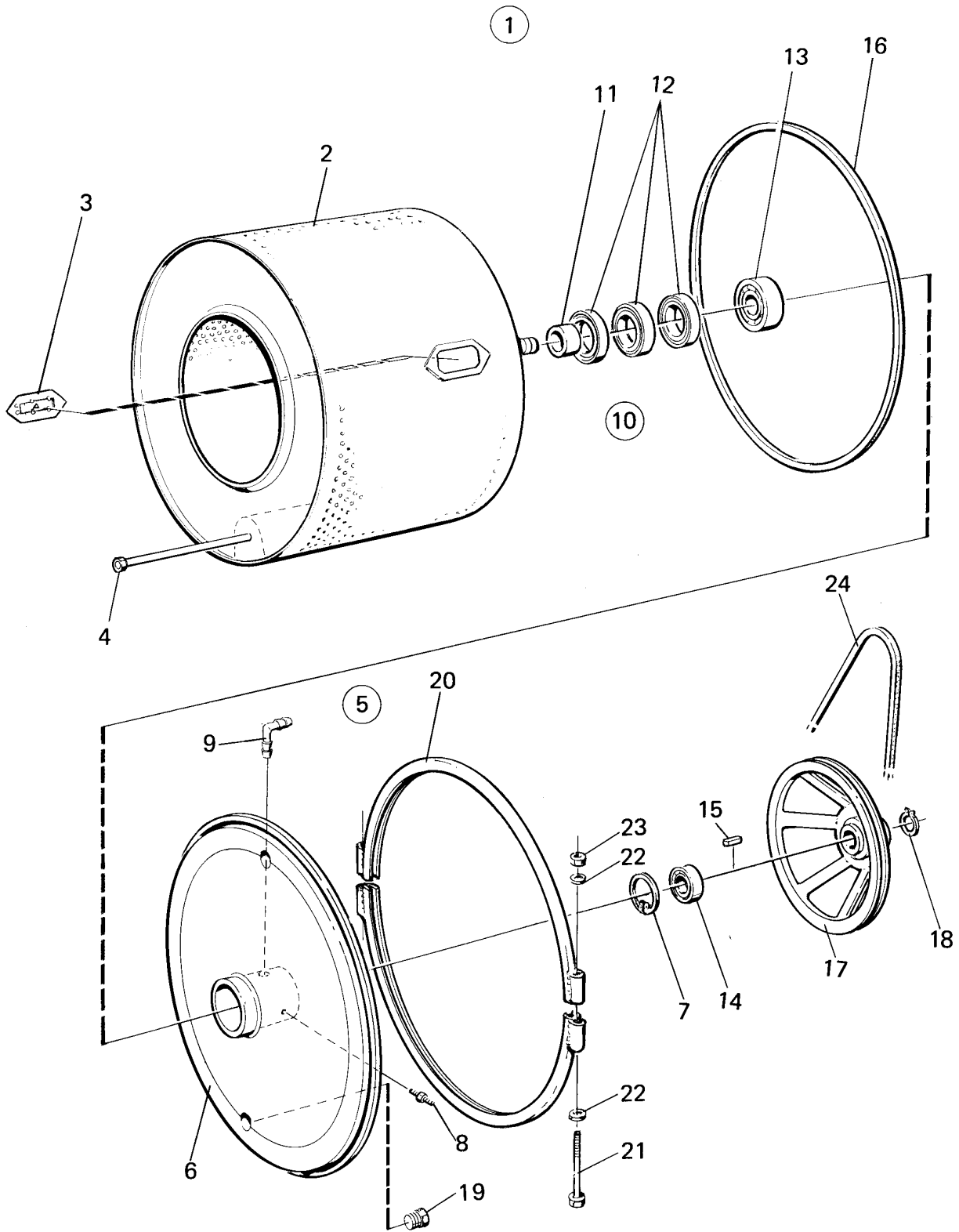
**508E,808E,HS 2105E,HS 265E,WE66MP,WE66MP MopMaster,WE71MP MopMaster,WE106MP****Motor**

Illustration Issue Month Year

Illustration Utgåva Månad År

**Motor****101362 4 3 1997**

Item Pos.	Quantity Antal	Art.No Art.nr	Description	Benämning	Info Info	Notes Anmärkning
			508E,HS 265E,WE66MP,WE66MP MopMaster,WE71MP MopMaster			
			808E,HS 2105E,WE106MP			
<b>1</b>	1	<b>472 9903-76</b>	Motor	Motor	1,2	
	1	<b>472 9903-77</b>	Motor	Motor	1,2	
<b>2</b>	1	<b>438 5124-02</b>	•Spacer tube	•Distansrör	3	L=22,5
<b>3</b>	1	<b>438 5124-03</b>	•Spacer tube	•Distansrör	3	L=217,5
<b>4</b>	3	<b>438 5123-01</b>	•Bushing	•Bussning	1	
<b>5</b>	1	<b>438 5124-04</b>	•Spacer tube	•Distansrör	3	
<b>6</b>	4	<b>727 6451-51</b>	Screw	Skruv	3	
<b>7</b>	9	<b>734 4977-01</b>	Washer	Bricka	3	
<b>8</b>	7	<b>732 2118-01</b>	Locking nut	Låsmutter	3	M8
<b>9</b>	1	<b>725 2461-51</b>	Screw	Skruv	3	M8X50
<b>10</b>	1	<b>471 8356-02</b>	Screw	Skruv	3	M8X245
<b>11</b>	1	<b>438 5355-01</b>	Angle	Vinkel	3	
<b>12</b>	1	<b>471 8322-03</b>	Screw	Skruv	3	M8X50
<b>13</b>	1	<b>438 5345-01</b>	Motor mounting	Motorfäste	3	
	1	<b>438 5538-01</b>	Motor mounting	Motorfäste	3	



## 508E,HS 265E,WE66MP MopMaster -97/61979,WE66MP -97/61979,WE71MP MopMaster -97/61979

## Back plate with inner drum

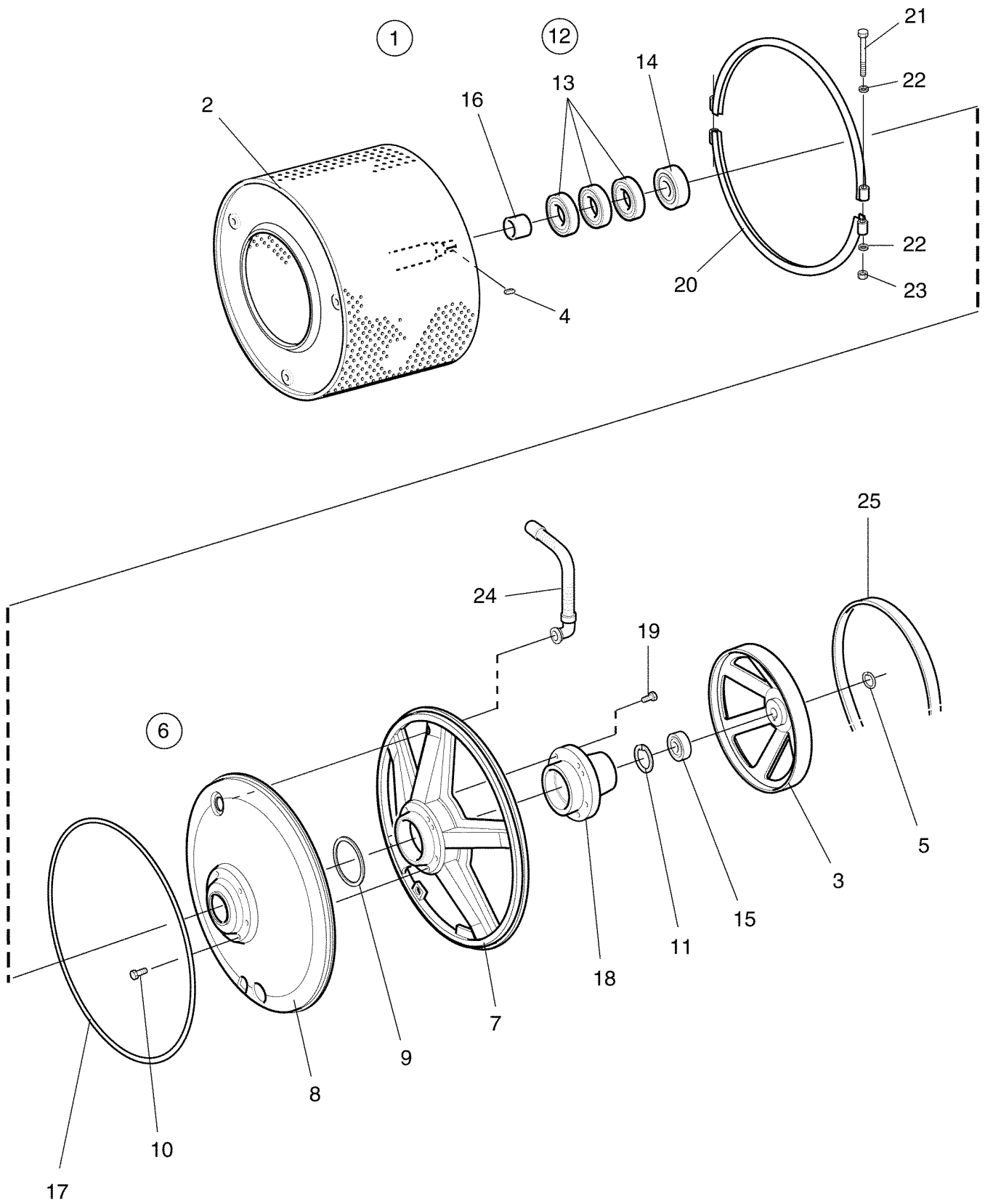
Illustration Issue Month Year

Illustration Utgåva Månad År

## Bakgavel med innertrumma

101353 3 2 1996

Item Pos.	Qua. Ant.	Art.No Art.nr	Description	Benämning	Info Info	Notes Anmärkning
1	1	438 6028-22	Drum, rear gable	Trumma,bakgavel	1	COMPL. EL.HEATED
	1	438 6028-21	Drum, rear gable	Trumma,bakgavel	1	COMPL. STEAM HEATED
2	1	472 9772-21	•Inner drum	•Innertrumma	1	
3	1	472 9768-01	••Door	••Lucka	1	
4	3		••	••	3	
5	1		•Back plate	•Bakre gavel	1	COMPL. EL.HEATED
	1		•Back plate	•Bakre gavel	1	COMPL. STEAM HEATED
6	1	438 0445-01	••Back plate	••Bakre gavel	3	Steam heated
	1	438 0445-02	••Back plate	••Bakre gavel	3	EL.HEATED
7	1	735 3148-10	••C-clamp	••Spårring	3	SGH62
8	1	471 2401-52	••Nipple	••Nippel	3	
9	2	471 8628-52	••Pipe	••Rör	3	
10	1	472 9902-35	••Repair kit	••Renoveringssats	1,2	
11	1		•••Bushing	•••Bussning		
12	3		•••Sealing ring	•••Tätningssring		
13	1		•••Ball bearing	•••Kullager		
14	1		•••Ball bearing	•••Kullager		
15	1	735 9304-01	•••Wedge	•••Kil	1	SMS 2306
16	1	471 2451-79	•••Rubber strip	•••Gummilist	1	
17	1	438 5361-01	••Pulley	••Remskiva	1	
18	1	735 3130-00	••Circlip	••Segersäkkring	3	SGA 30
19	1	471 9000-59	Plug	Propp	3	
20	2	471 2075-49	Tension strap	Spännband	3	
21	2	471 9222-59	Screw	Skruv	3	M8X140
22	4	471 8502-14	Washer	Bricka	3	BRB 8,4X17
23	2	732 2118-01	Locking nut	Låsmutter	3	M8
24	1	471 7711-01	V-belt	Kilrem	1,2	



## 508E,HS 265E,WE66MP MopMaster 97/61980-,WE66MP 97/61980-,WE71MP MopMaster 97/61980-

## Back plate with inner drum

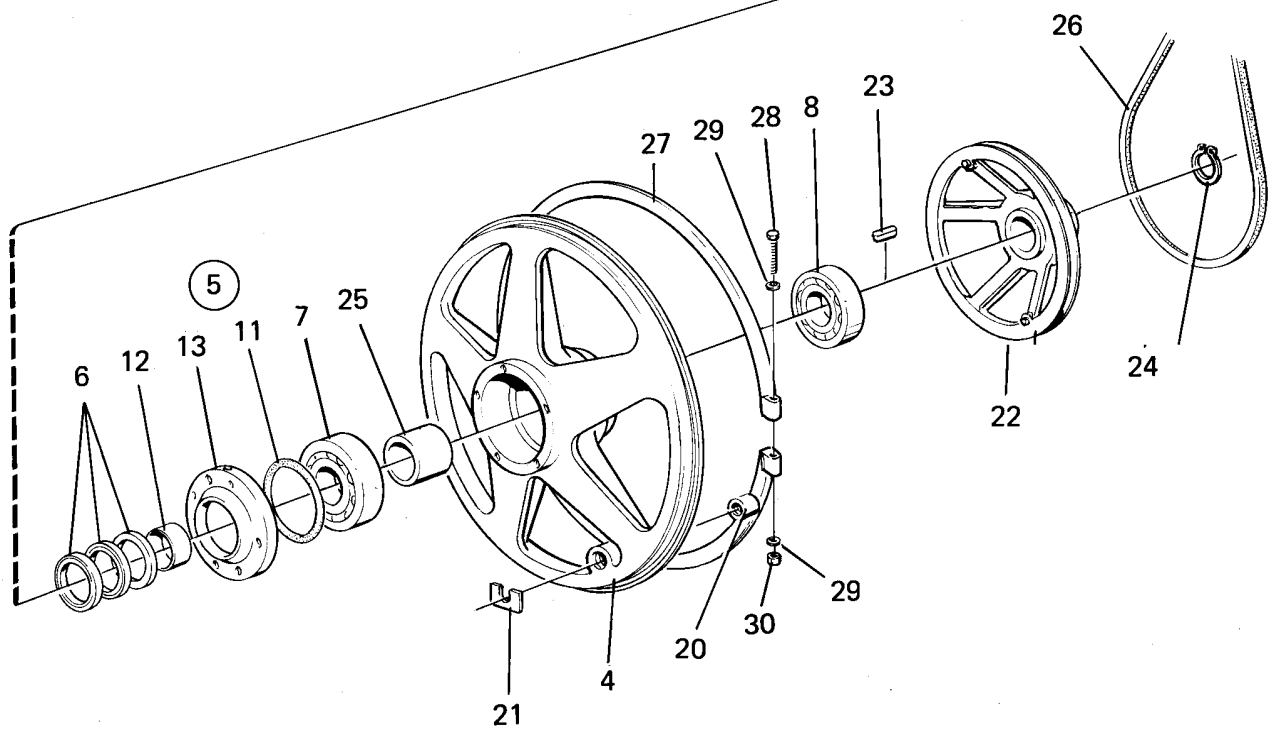
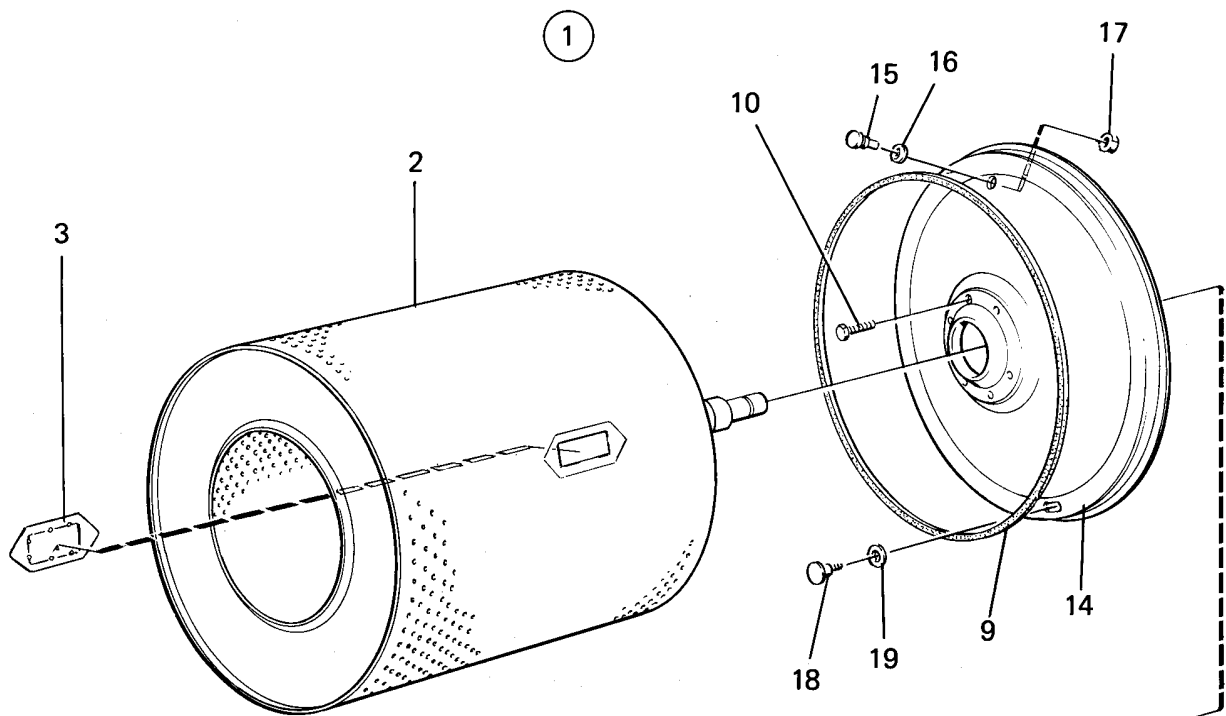
Illustration Issue Month Year

Illustration Utgåva Månad År

## Bakgavel med innertrumma

101476 2 12 2001

Item Pos.	Qua. Ant.	Art.No Art.nr	Description	Benämning	Info Info	Notes Anmärkning
1	1	438 5367-01	Back plate	Bakre gavel	1	COMPL. EL,HW
	1	438 5367-02	Back plate	Bakre gavel	1	COMPL.,STEAM
	1	438 5367-03	Back plate	Bakre gavel	1	COMPL. GAS
2	1	472 9772-21	•Inner drum	•Innertrumma	1	
3	1	438 5361-01	•Pulley	•Remskiva	1	
4	1	735 9304-01	•Wedge	•Kil	3	SMS 2306
5	1	735 3128-00	•Circlip	•Segersäkring	3	SGA28
6	1	472 9902-84	•Back plate	•Bakre gavel	3	EI, HW
	1	472 9902-85	•Back plate	•Bakre gavel	3	Steam
	1	472 9902-86	•Back plate	•Bakre gavel	3	Gas
7	1	438 0480-01	••Back plate	••Bakre gavel	3	
8	1	438 0479-01	••Lining	••Klädselplåt	3	EI, HW
	1	438 0479-02	••Lining	••Klädselplåt	3	Steam
	1	438 0492-01	••Lining	••Klädselplåt	3	Gas
9	1	438 0488-01	••Gasket	••Packning	1	
10	6	471 8320-01	••Screw	••Skruv	3	M6X12
11	1	735 3148-10	••C-clamp	••Spårring	3	SGH62
12	1	472 9902-35	••Repair kit	••Renoveringssats	1,2	
13	3		•••Sealing ring	•••Tätningssring		
14	1		•••Ball bearing	•••Kullager		
15	1		•••Ball bearing	•••Kullager		
16	1		•••Bushing	•••Bussning		
17	1	471 2451-79	•••Rubber strip	•••Gummilist	1	
18	1	438 0481-01	••Bearing housing	••Lagerhus	3	
19	6	725 2542-51	••Screw	••Skruv	3	M12X50
20	2	471 2075-49	••Tension strap	••Spännband	3	
21	2	471 9222-59	••Screw	••Skruv	3	M8X140
22	4	471 8502-14	••Washer	••Bricka	3	BRB 8,4X17
23	2	732 2118-01	••Locking nut	••Låsmutter	3	M8
24	1	438 5191-02	••Hose	••Slang	1	
25	1	471 7711-01	V-belt	Kilrem	1,2	



Issue	Month	Year
01	09	95

## 808E,HS 2105E,WE106MP

## Back plate with inner drum

Illustration Issue Month Year

Illustration Utgåva Månad År

## Bakgavel med innertrumma

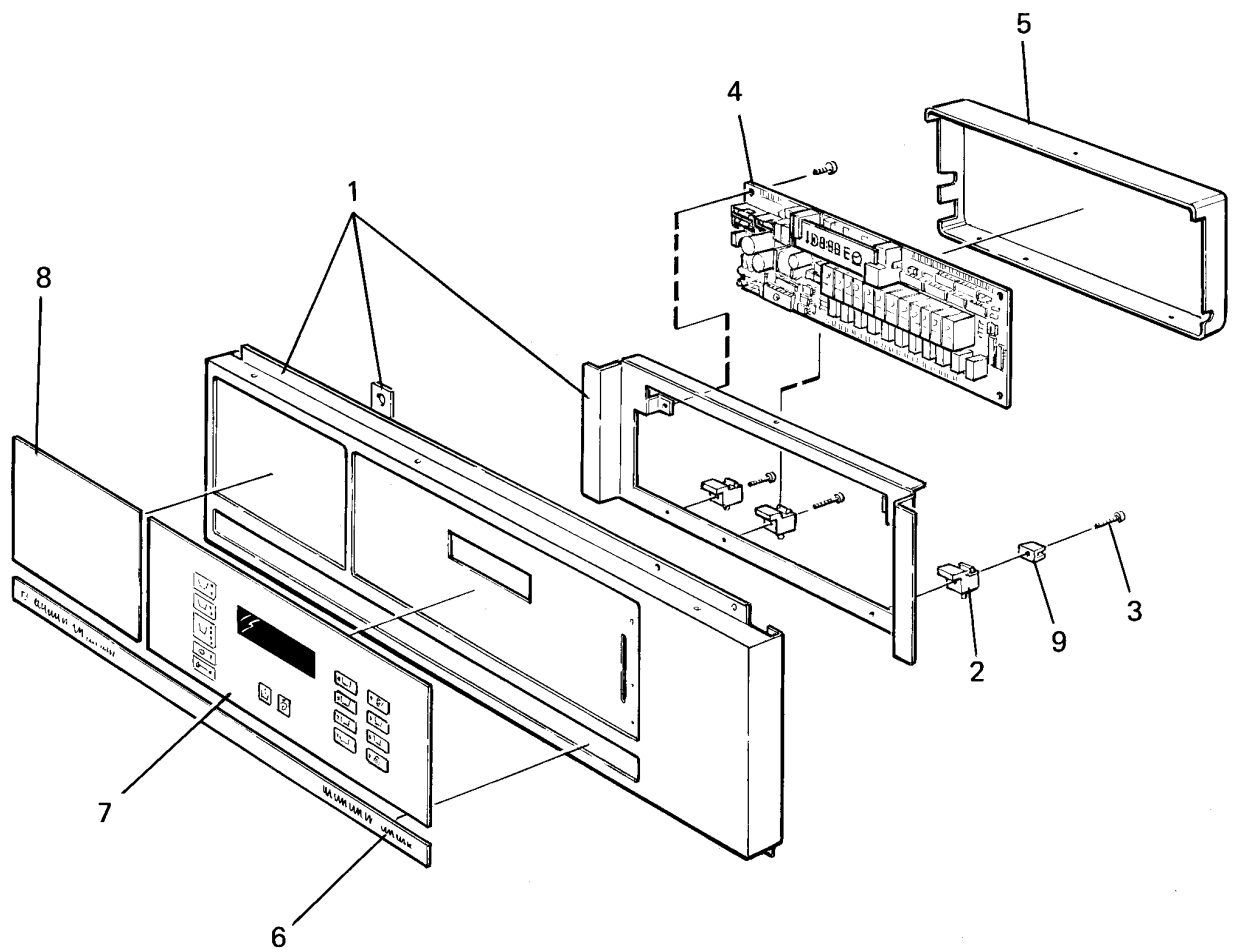
101374

2

2

1996

Item Pos.	Qua. Ant.	Art.No Art.nr	Description	Benämning	Info Info	Notes Anmärkning
1	1	472 8822-21	Back plate	Bakgavel	1	COMPL.,STEAM
	1	472 8822-22	Back plate	Bakgavel	1	COMPL.,EL/HOT WATER
2	1	472 8838-21	•Inner drum	•Innertrumma	1	
3	1	472 9768-01	••Door	••Lucka	3	Complete
4	1	472 8827-01	•Back plate	•Bakgavel	1	EL/HOT WATER
	1	472 8827-02	•Back plate	•Bakgavel	1	Steam
5	1	472 9902-16	•Repair kit	•Renoveringssats	1,2	
6	3		••Sealing ring	••Tätningssring		
7	1		••Bearing	••Lager		
8	1		••Bearing	••Lager		
9	1	472 6084-01	••Seal	••Tätning	1,2	
10	6	471 8320-05	••Screw	••Skruv		M6X20
11	1		••O-ring	••O-ring		
12	1		••Bushing	••Bussning	3	
13	1	472 8906-01	•Bearing cover	•Lagerlock	3	
14	1	472 8828-03	•Plate	•Plåt	3	EL/HOT WATER
	1	472 8828-04	•Plate	•Plåt	3	Steam
15	1	438 5541-01	•Nipple	•Nippel	3	
16	1	471 8159-05	•Gasket	•Packning	3	
17	1	741 1115-20	•Nut	•Mutter	3	
18	1	472 8977-01	•Injector	•Injektor	3	Steam
19	1	471 8159-05	•Gasket	•Packning	3	Steam
20	1	741 2113-32	•Muff	•Muff	3	Steam
21	RQ	472 8978-01	•Washer	•Bricka	3	Steam
22	1	438 5361-01	•Pulley	•Remskiva	1	
23	1	735 9304-01	•Wedge	•Kil	1	SMS 2306
24	1	735 3130-00	•Circlip	•Segersäkkring	3	SGA 30
25	1	472 8907-01	•Spacer	•Distans	3	
26	1	471 7711-02	V-belt	Kilrem	1,2	
27	2	471 2075-49	Tension strap	Spännband	3	
28	2	471 9222-59	Screw	Skruv	3	M8X140
29	4	734 1164-01	Washer	Bricka	3	8,4X17
30	2	732 2118-01	Locking nut	Låsmutter	3	M8





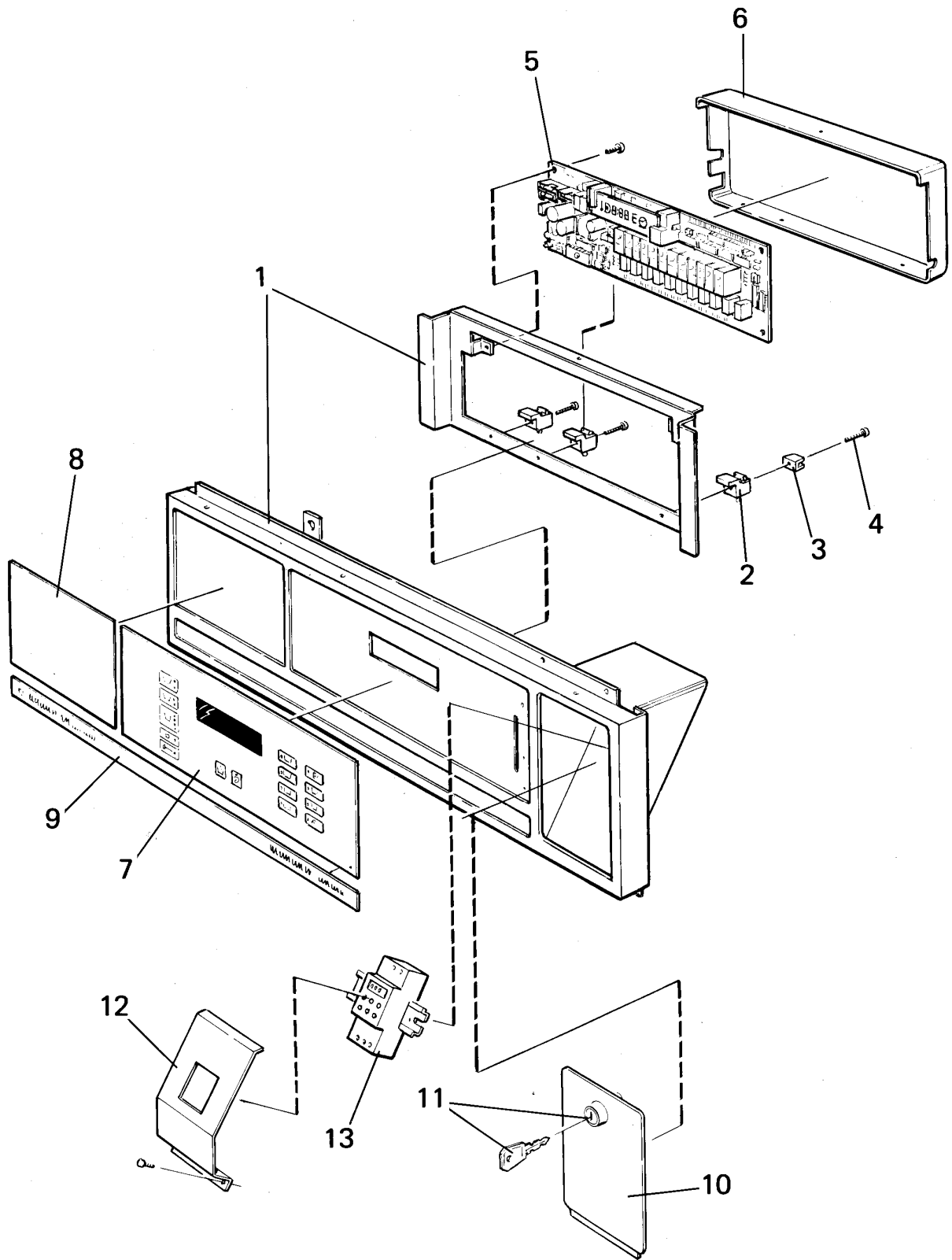
**508E,808E,HS 2105E,HS 265E,WE66MP,WE66MP MopMaster,WE71MP MopMaster,WE106MP****Control panel**

Illustration Issue Month Year

Illustration Utgåva Månad År

**Manöverpanel****101351 2 10 1996**

Item Pos.	Quantity Antal	Art.No Art.nr	Description	Benämning	Info Info	Notes Anmärkning
508E,HS 265E,WE66MP,WE66MP MopMaster,WE71MP MopMaster						
808E,HS 2105E,WE106MP						
1	1	1	438 5338-01	Panel	3	
	1	1	438 5338-02	Panel	3	OSBY
	1	1	438 5338-31	Panel	3	MÜLLER COIN-METER
	1	1	438 5338-32	Panel	3	OSBY, MÜLLER COIN-METER
	1	1	438 5338-33	Panel	3	ESSEX COIN-METER
2	3	3	438 5154-01	Bracket	3	
3	3	3	471 8340-26	Screw	3	4,2x25
4	1	1	471 8988-04	Printed circuit board	1,2	New prom has to be ordered
5	1	1	438 5341-01	Safety lid	3	
6	1	1	471 7696-01	Type plate	3	WE66MP
	1	1	471 7696-02	Type plate	3	HS 265E
	1	1	471 7696-03	Type plate	3	508E
	1	1	471 7696-04	Type plate	3	WE71MP
	1	1	471 7696-05	Type plate	3	MW71MP
	1	1	471 7696-06	Type plate	3	WE66MP/LE
	1	1	471 7696-07	Type plate	3	508ELE
	1	1	471 7696-08	Type plate	3	LC 7A
	1	1	471 7696-09	Type plate	3	USA,EX 15
		1	471 7698-01	Type plate	3	WE106MP
		1	471 7698-02	Type plate	3	HS 2105E
		1	471 7698-03	Type plate	3	USA,EX 25
		1	471 7698-09	Type plate	3	LINCOLN HS 2105E
7	1	1	472 5765-01	Panel sign	1,2	PE01
	1	1	472 5763-01	Panel sign	1,2	PE11,21,31
	1	1	472 5763-02	Panel sign	1,2	SELECTA PE01
	1	1	472 5763-03	Panel sign	1,2	HE02
	1	1	472 5763-04	Panel sign	1,2	PE03 USA
	1	1	472 5763-05	Panel sign	1,2	NYBORG PE22 CP
	1	1	472 5763-06	Panel sign	1,2	HE22
8	1	1	471 7694-01	Instruction plate	1	SYMBOLS
	1	1	471 7694-02	Instruction plate	1,2	German SELECTA PE01
	1	1	471 7694-03	Instruction plate	1,2	English HE02
	1	1	471 7694-04	Instruction plate	1,2	German PE01
	1	1	471 7694-05	Instruction plate	1,2	USA
	1	1	471 7694-06	Instruction plate	1,2	German PE22,NYBORG
9	2	2	471 9004-75	Bracket	3	



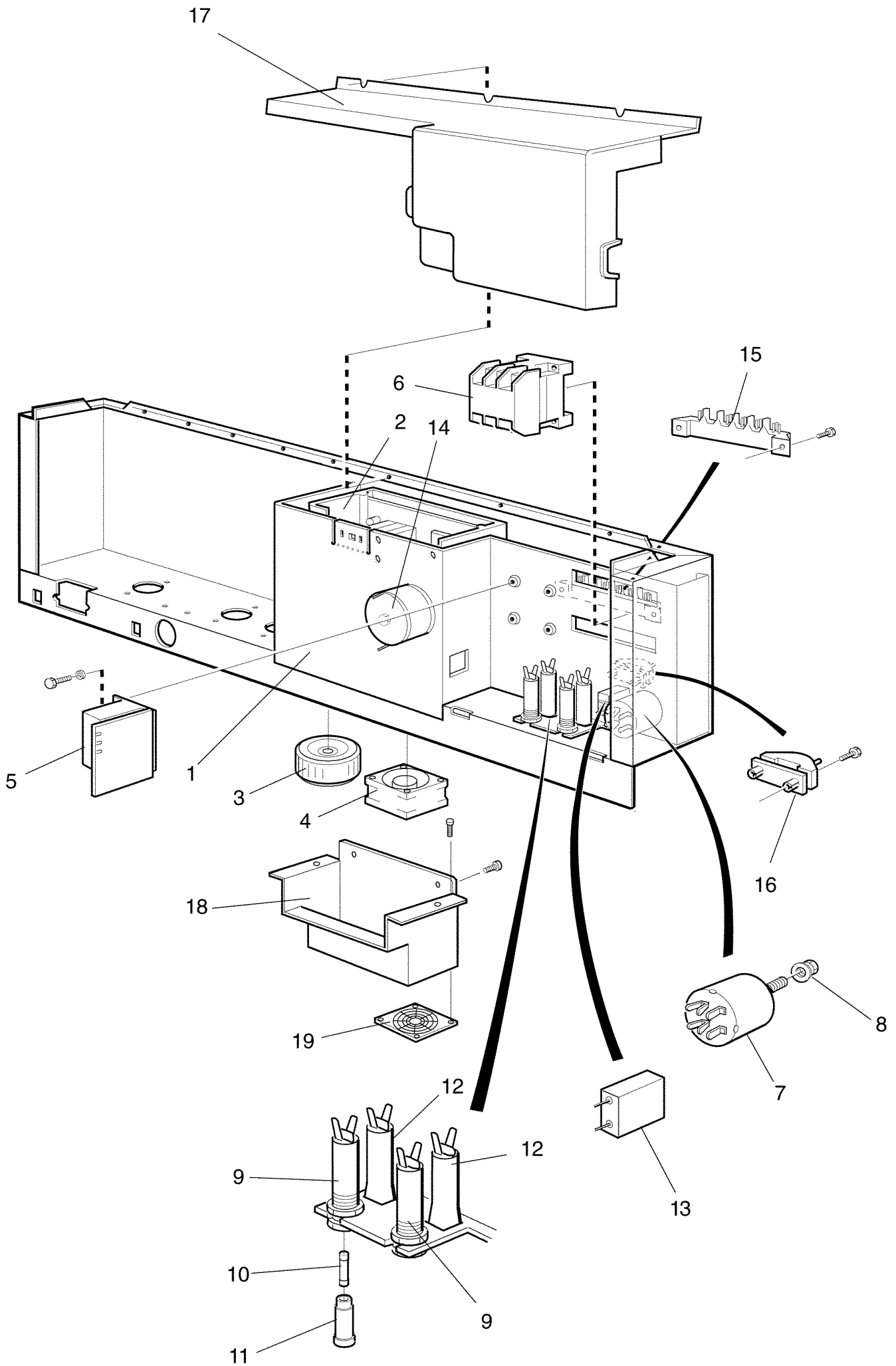
**WE66MP MopMaster****Control panel**

Illustration Issue Month Year

Illustration Utgåva Månad År

**Manöver panel****101483 3 5 1998**

Item Pos.	Qua. Ant.	Art.No Art.nr	Description	Benämning	Info Info	Notes Anmärkning
<b>1</b>	1				3	
<b>2</b>	3	<b>438 5154-01</b>	Bracket	Hållare	3	
<b>3</b>	3	<b>471 9004-75</b>	Bracket	Fäste	3	
<b>4</b>	3	<b>471 8340-26</b>	Screw	Skruv	3	4,2x25
<b>5</b>	1	<b>471 8988-04</b>	Printed circuit board	Kretskort	1,2	New prom has to be ordered
<b>6</b>	1	<b>438 5341-01</b>	Safety lid	Skyddskåpa	1	
<b>7</b>	1	<b>472 5770-01</b>	Panel sign	Panelskylt	1,2	
<b>8</b>	1	<b>471 7694-36</b>	Instruction plate	Instruktionsskylt	3	
<b>9</b>	1	<b>471 7696-15</b>	Type plate	Typskylt	3	MOPMASTER
<b>10</b>	1	<b>438 4073-01</b>	Cover plate	Täckplåt	3	
<b>11</b>	1	<b>471 7826-13</b>	Lock	Lås	1	Coin-meter
	1	<b>471 7826-98</b>	Nut	Mutter	1,2	
<b>12</b>	1	<b>438 4076-01</b>	Protection panel	Skyddsplåt	3	
<b>13</b>	1	<b>471 8920-03</b>	Timer	Tidur	1,2	



**508E,808E,HS 2105E,HS 265E,WE66MP,WE66MP MopMaster,WE71MP MopMaster,WE106MP****Electric components**

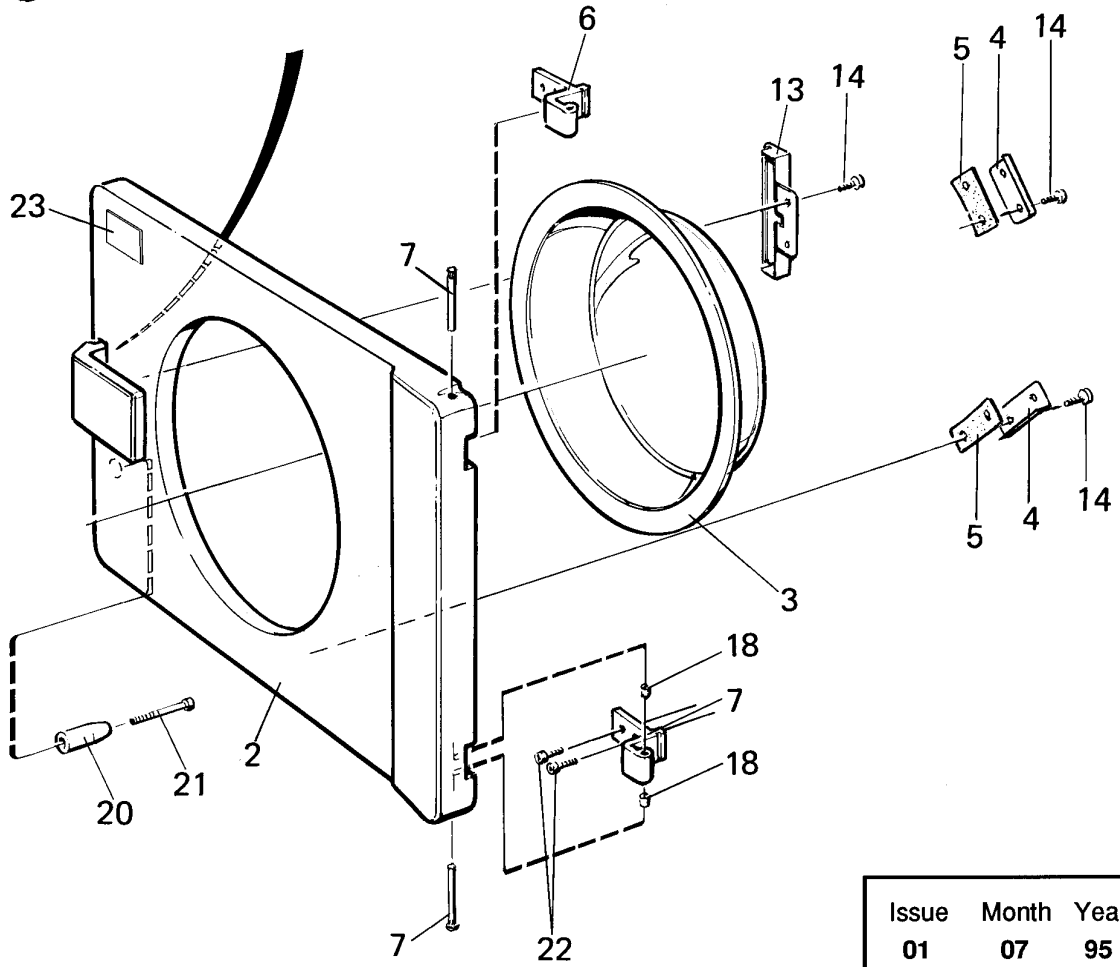
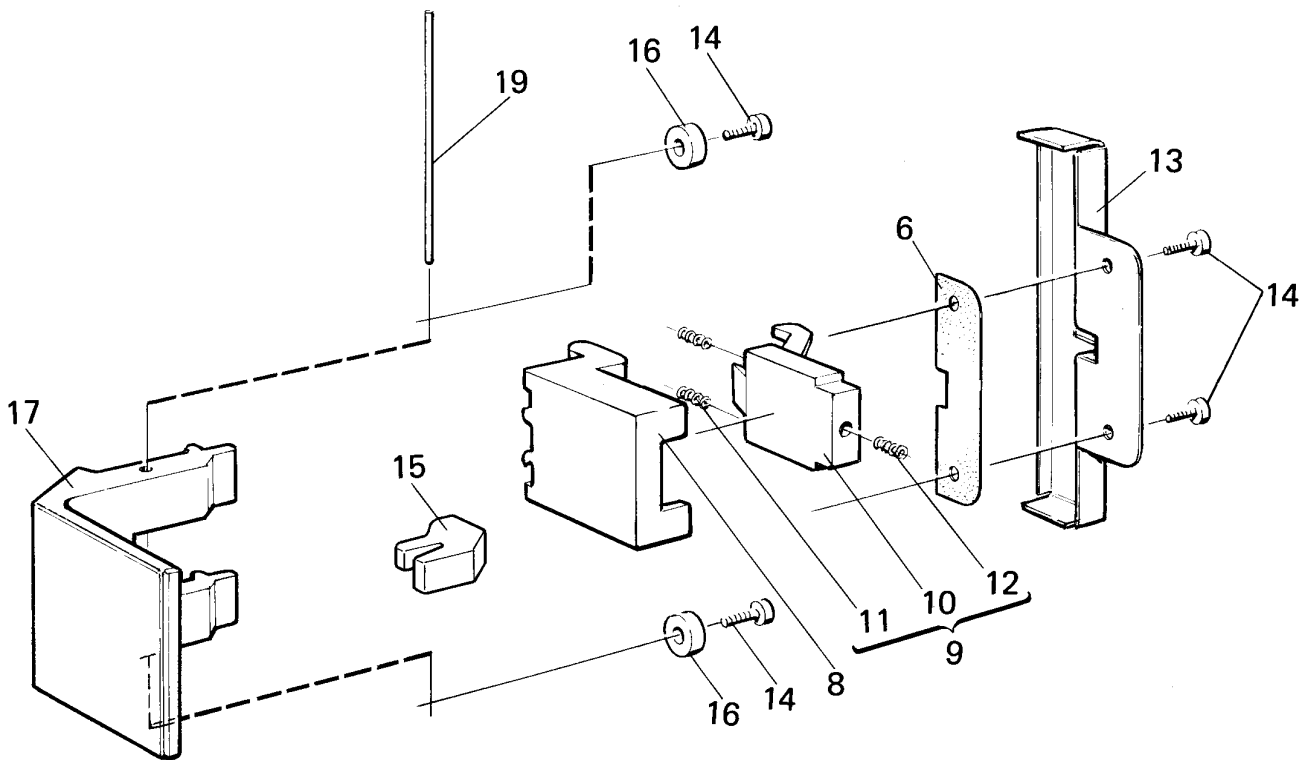
Illustration Issue Month Year

Illustration Utgåva Månad År

**Eldetaljer****101358****11****11****2003**

Item Pos.	Quantity Antal	Art.No Art.nr	Description	Benämning	Info Info	Notes Anmärkning
			508E,HS 265E,WE66MP,WE66MP MopMaster,WE71MP MopMaster			
			808E,HS 2105E,WE106MP			
<b>1</b>	1	1	<b>438 5347-01</b>	Component panel	Komponentplåt	3
<b>2</b>	1		<b>471 9758-02</b>	Printed circuit board	Kretskort	1,2
		1	<b>471 9760-01</b>	Printed circuit board	Kretskort	1,2
		1	<b>471 9758-10</b>	Printed circuit board	Kretskort	1,2 Japan
		1	<b>471 9760-01</b>	Printed circuit board	Kretskort	1,2 Japan 66/86454-86455
		1	<b>471 9760-10</b>	Printed circuit board	Kretskort	1,2 Japan
	1	1	<b>471 9573-02</b>	•Rectifier	•Likriktare	1,2
<b>3</b>	1		<b>471 9760-95</b>	•Choke coil	•Drossel	1
<b>4</b>	1		<b>471 9760-96</b>	•Fan	•Fläkt	1
<b>5</b>	1	1	<b>471 9558-11</b>	Transformer	Transformator	1,2
<b>6</b>	1	1	<b>471 9635-11</b>	Contactora	Kontaktor	1,2 50Hz
<b>7</b>	1	1	<b>471 9529-11</b>	LC-filter	LC-filter	3
<b>8</b>	1	1	<b>471 9035-20</b>	Nut	Mutter	3 M8
<b>9</b>	2	2	<b>471 8756-01</b>	Fuse holder	Säkringshållare	1,2 5X20 MM
<b>10</b>	2	2	<b>471 8750-11</b>	Fuse	Säkring	1,2 1,25A
<b>11</b>	2	2	<b>471 8756-51</b>	Insert	Insats	1 5X20MM
<b>12</b>	2		<b>471 8778-01</b>	Circuit breaker	Automatsäkring	1,2 6A
		2	<b>471 8778-02</b>	Circuit breaker	Automatsäkring	1,2 10A
<b>13</b>	1	1	<b>472 6498-27</b>	Capacitor	Kondensator	1
<b>14</b>	1		<b>438 9500-01</b>	Choke coil	Drossel	1
<b>15</b>	1	1	<b>471 8759-01</b>	Block	Plint	3
<b>16</b>	1	1	<b>471 7865-03</b>	Cable clip	Kabelhållare	3
<b>17</b>	1	1	<b>438 5348-01</b>	Safety lid	Skyddskåpa	3
<b>18</b>		1	<b>438 5540-01</b>	Cover	Skydd	3
<b>19</b>		1	<b>471 7974-01</b>	Grate	Galler	3

1



101352

Issue	Month	Year
01	07	95

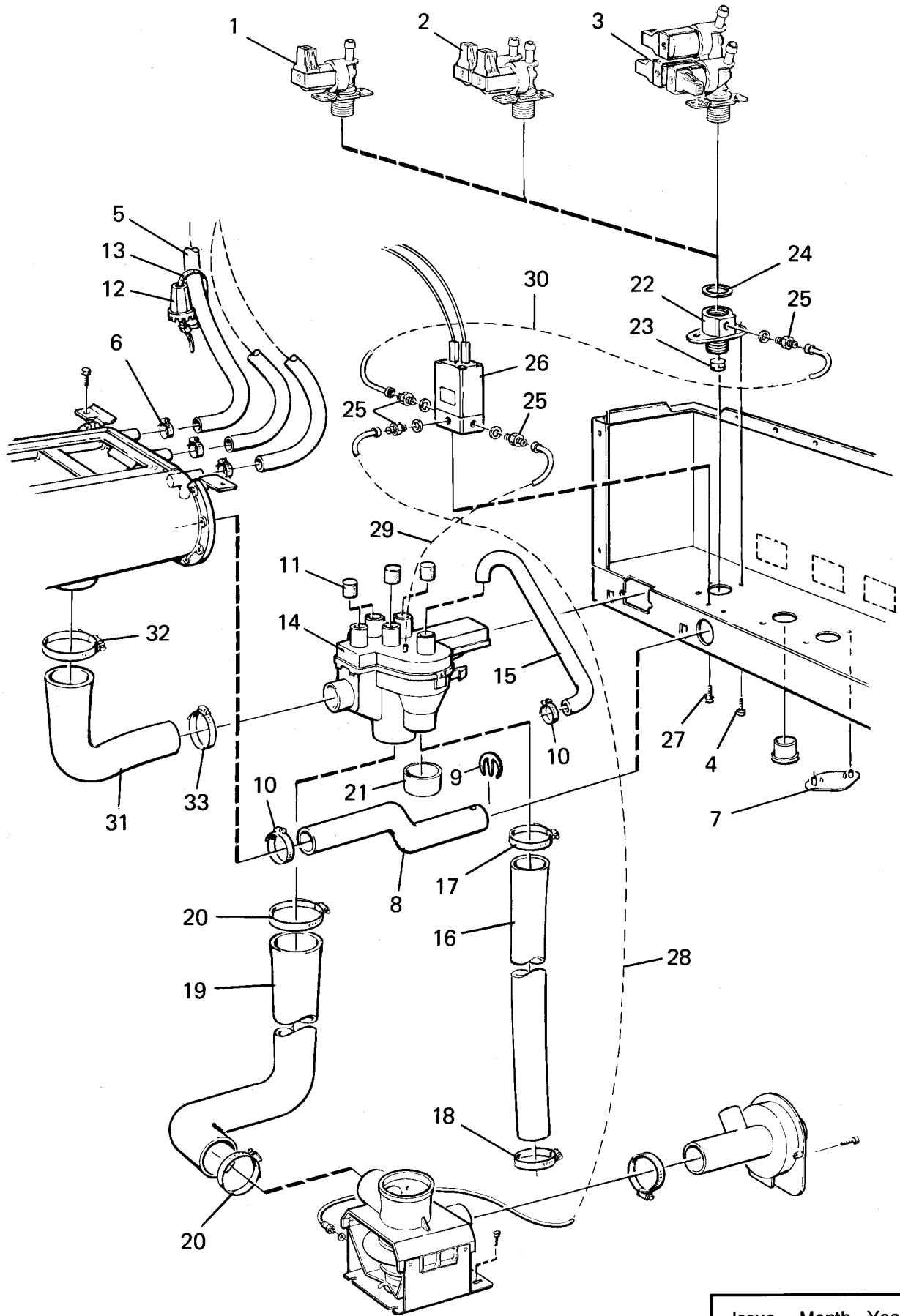
**508E,808E,HS 2105E,HS 265E,WE66MP,WE66MP MopMaster,WE71MP MopMaster,WE106MP****Door**

Illustration Issue Month Year

Illustration Utgåva Månad År

**Lucka****101352****5****7****2007**

Item Pos.	Qua. Ant.	Art.No Art.nr	Description	Benämning	Info Info	Notes Anmärkning
1	1	472 8755-21	Door	Lucka	3	Grey Complete
2	1	472 8725-01	•Door	•Lucka	1	Grey
3	1	471 2408-08	•Door glass	•Luckglas	1,2	
	1	438 4214-02	•Door glass	•Luckglas	1,2	Obscured OBSCURED GLASS
4	2	472 8856-01	•Bracket	•Hållare	3	
5	3	472 8857-01	•Seal	•Tätning	1	
6	2	438 6049-01	•Hinged joint	•Gångled	1	
7	2	472 8762-01	•Shaft	•Axel	1	
8	1	472 8728-01	•Locking component	•Låsdetalj	3	
9	1	471 6700-07	•Spare parts kit	•Reservdelssats	1	CATCH AND SPRINGS
10	1		••Catch	••Hake	1	
11	2		••Pressure spring	••Tryckfjäder	1	
12	1		••Pressure spring	••Tryckfjäder	1	
13	1	472 8811-01	•Bracket	•Fäste	3	
14	8	471 8345-13	•Screw	•Skruv	3	M4X10
15	1	472 9775-01	•Rubber cushion	•Kuts	1	
16	2	472 8734-01	•Capsule	•Kapsel	3	
17	1	472 8729-01	•Handle	•Handtag	1	
18	4	438 4062-01	•Bushing	•Bussning	3	
19	1	471 7903-04	•Shaft	•Axel	3	
20	1	472 8786-01	•Guide	•Styrning	3	
21	1	471 8327-01	•Screw	•Skruv	3	MC6S 5X35
22	4	471 8311-00	Screw	Skruv	3	M6SFTT 5X16
23	1	471 7651-81	Warning sign	Varningsskylt	3	Swedish
	1	471 7651-82	Warning sign	Varningsskylt	3	English
	1	471 7651-90	Warning sign	Varningsskylt	3	German
	1	471 7651-84	Warning sign	Varningsskylt	3	French
	1	471 7651-83	Warning sign	Varningsskylt	3	Italian
	1	471 7651-85	Warning sign	Varningsskylt	3	Spanish
	1	471 7651-86	Warning sign	Varningsskylt	3	Finnish
	1	471 7651-88	Warning sign	Varningsskylt	3	Danish
	1	471 7651-89	Warning sign	Varningsskylt	3	Norwegian



Issue	Month	Year
01	09	95



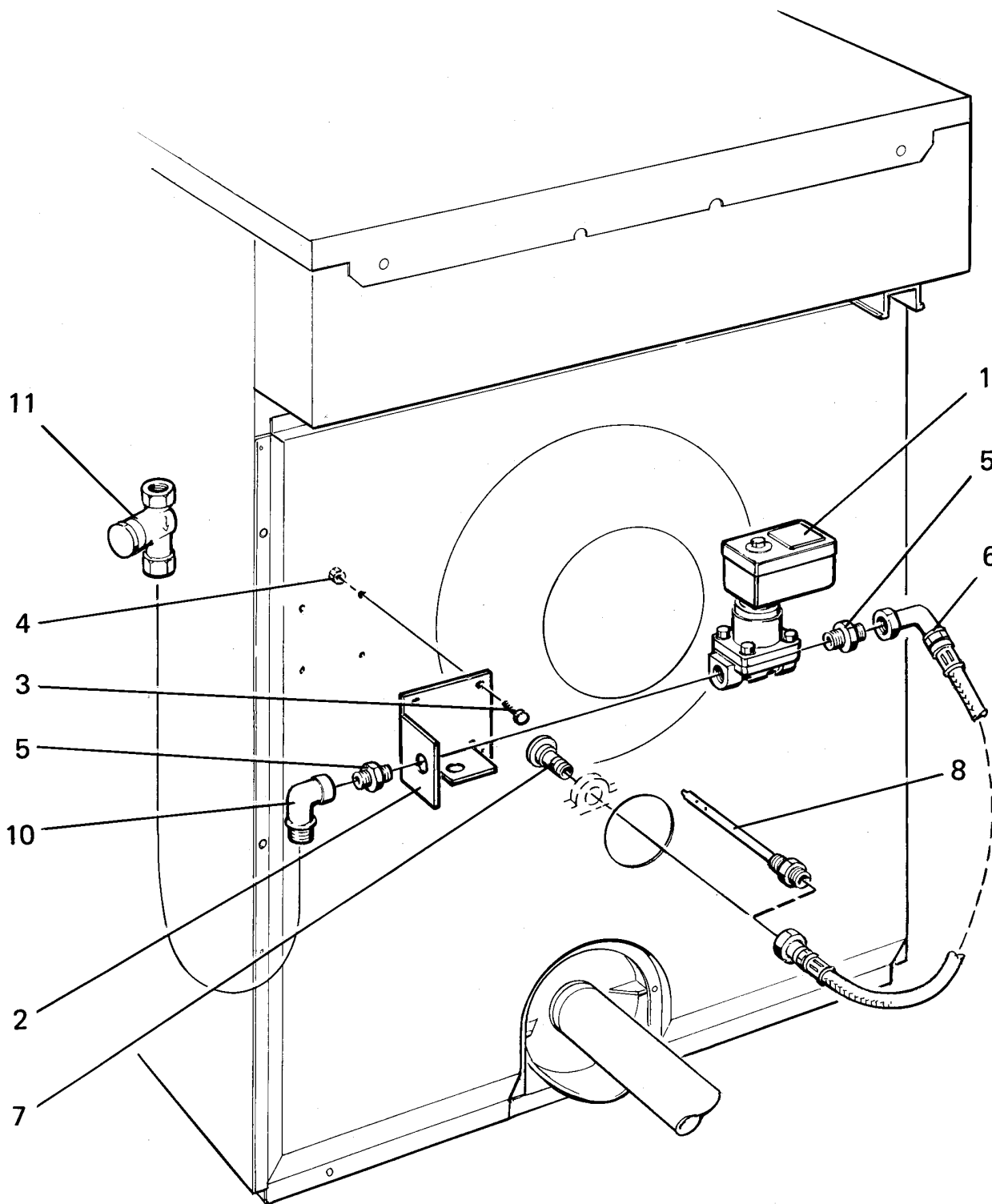
**508E,808E,HS 2105E,HS 265E,WE66MP,WE66MP MopMaster,WE71MP MopMaster,WE106MP****Water alternatives**

Illustration Issue Month Year

Illustration Utgåva Månad År

**Vattenalternativ****101354 3 12 1999**

Item Pos.	Quantity Antal	Art.No Art.nr	Description	Benämning	Info Info	Notes Anmärkning
			508E,HS 265E,WE66MP,WE66MP MopMaster,WE71MP MopMaster			
			808E,HS 2105E,WE106MP			
1	RQ RQ		Valve	Ventil	1,2	1-way See group 8115
2	RQ RQ		Valve	Ventil	1,2	2-way See group 8116
3	RQ RQ		Valve	Ventil	1,2	3-way See group 8117
4	RQ RQ	471 8341-11	Screw	Skruv	3	MRT 4X6
5	RQ RQ	877 5211-08	Hose	Slang	1	Per 1 m PER 1M
6	RQ RQ	736 2816-51	Hose clamp	Slangklämma	3	Ø13-19
7	RQ RQ	472 6761-01	Cover washer	Täckbricka	3	
8	1	438 6026-03	Hose	Slang	1	
		438 6026-04	Hose	Slang	1	
9	1 1	438 0127-01	Lock	Lås	3	
10	3 3	736 2825-51	Hose clamp	Slangklämma	3	Ø32
11	RQ RQ	471 8175-01	Plug	Plugg	3	
12	1 1	471 4792-01	Tool	Verktyg	3	
13	1 1	762 9105-05	Cable strap	Kabelband	3	
14	1 1	472 8714-01	Siphon breaker	Återsugningsskydd	3	
15	1 1	438 5357-01	Hose	Slang	1	
16	1 1	471 8134-04	Hose	Slang	1	
17	1 1	736 2843-51	Hose clamp	Slangklämma	3	Ø63-73
18	1 1	736 2837-51	Hose clamp	Slangklämma	3	Ø48-54
19	1 1	472 8761-01	Hose	Slang	1	
20	2 2	736 2831-51	Hose clamp	Slangklämma	3	Ø36-42
21	1 1	471 8175-02	Plug	Propp	3	
22	1 1	438 0056-03	Nipple	Nippel	3	Black, 3/4"
	1 1	438 0056-04	Nipple	Nippel	3	White, 3/4", USA USA
23	1 1	471 8234-94	Filter	Filter	3	
24	1 1	471 8199-01	Gasket	Packning	1	
25	4 4	471 8688-13	Nipple	Nippel	3	1/8"
26	1 1	471 8243-04	Solenoid valve	Magnetventil	1,2	230V 50Hz
	1 1	471 8243-05	Solenoid valve	Magnetventil	1,2	208-240V 60Hz
	1 1	471 8243-06	Solenoid valve	Magnetventil	1,2	120V 60Hz
27	2 2	471 8341-11	Screw	Skruv	3	MRT 4X6
28	1 1	471 8139-02	Hose	Slang	1	L=1250 L=1250
29	1 1	471 8139-01	Hose	Slang	1	L=330 L=330
30	1 1	471 8139-02	Hose	Slang	1	L=1250 L=1250
31	1	472 8759-01	Hose	Slang	1,2	
		472 8845-01	Hose	Slang	1,2	
32	1 1	736 2834-51	Hose clamp	Slangklämma	3	Ø38-48
33	1 1	736 2840-51	Hose clamp	Slangklämma	3	Ø50-63



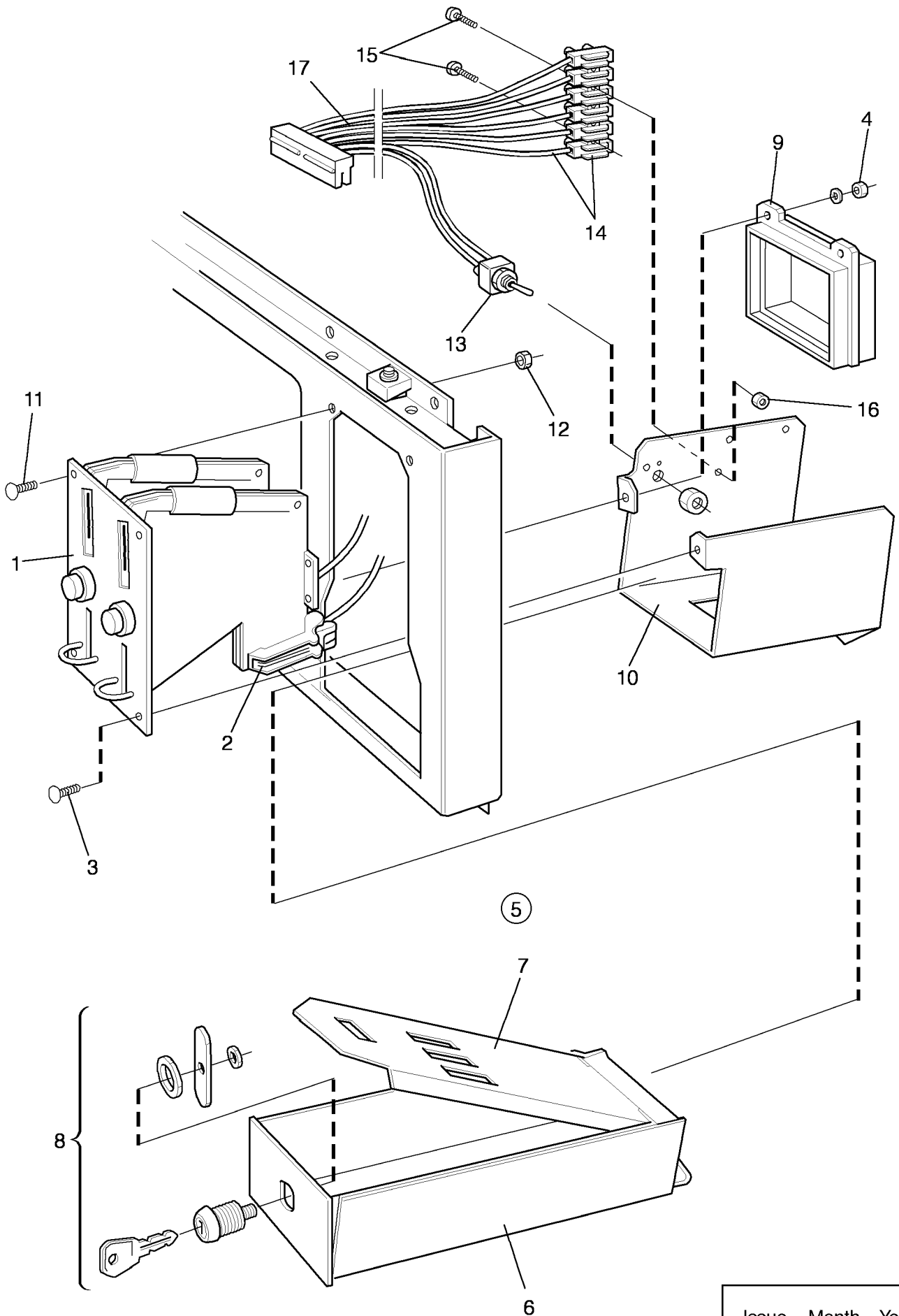
**508E,808E,HS 2105E,HS 265E,WE66MP,WE66MP MopMaster,WE71MP MopMaster,WE106MP****Steam components**

Illustration Issue Month Year

Illustration Utgåva Månad År

**Ångdetaljer****101355 3 8 2001**

Item Pos.	Quantity Antal	Art.No Art.nr	Description	Benämning	Info Info	Notes Anmärkning
			508E,HS 265E,WE66MP,WE66MP MopMaster,WE71MP MopMaster			
			808E,HS 2105E,WE106MP			
<b>1</b>	1	1	<b>471 8279-03</b> Valve	Ventil	1,2	50/60 Hz
	1	1	<b>471 8279-08</b> •Repair kit	•Reparationsats	1,2	
<b>2</b>	1	1	<b>472 6173-01</b> Bracket	Hållare	3	
<b>3</b>	2	2	<b>471 8341-24</b> Screw	Skruv	3	M5X12
<b>4</b>	4	4	<b>732 2114-01</b> Locking nut	Låsmutter	3	M5
<b>5</b>	2	2	<b>471 8624-01</b> Nipple	Nippel	3	
<b>6</b>	1	1	<b>471 8126-22</b> Hose	Slang	1	
<b>7</b>		1	<b>472 8977-01</b> Injector	Injektor	3	
<b>8</b>	1		<b>472 6582-02</b> Injector	Injektor	3	
<b>9</b>						Not used
<b>10</b>	1	1	<b>471 9030-34</b> Angle	Vinkel	3	
<b>11</b>	1	1	<b>744 3113-06</b> Filter	Filter	3	1/2"



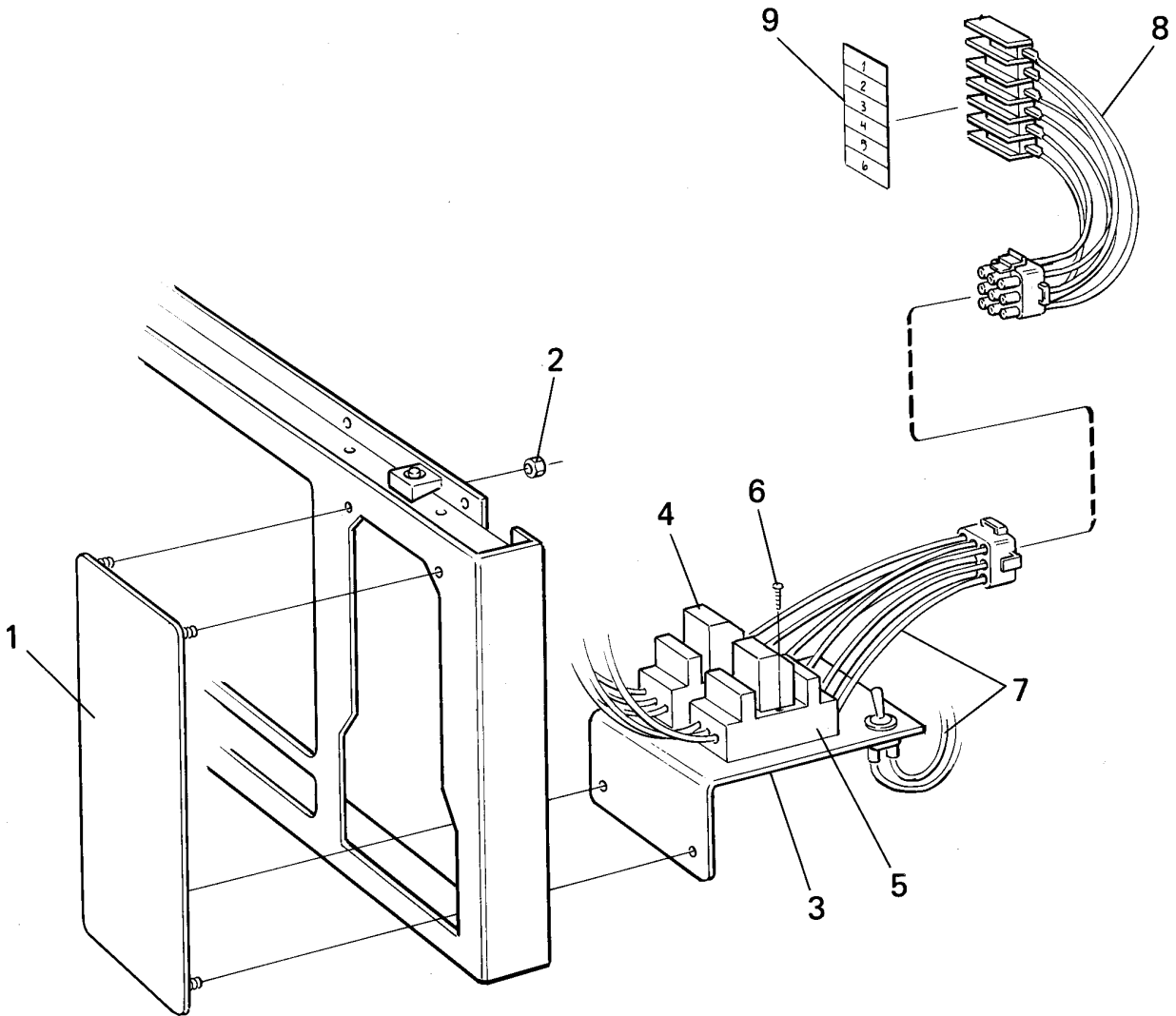
**508E,808E,HS 2105E,HS 265E,WE66MP,WE66MP MopMaster,WE71MP MopMaster,WE106MP****Coin meter components**

Illustration Issue Month Year

Illustration Utgåva Månad År

**Myntmätardetaljer****101356/3 4 10 2009**

Item Pos.	Qua. Ant.	Art.No Art.nr	Description	Benämning	Info Info	Notes Anmärkning
<b>1</b>	1	<b>471 8913-01</b>	Coin meter	Myntmätare		TOKEN Ø23,5X1,7 GRP
<b>2</b>	1	<b>471 8910-91</b>	•Sensor	•Avkännare	1,2	
<b>3</b>	4	<b>471 8910-90</b>	Screw	Skruv	3	
<b>4</b>	4	<b>731 2312-01</b>	Nut	Mutter	3	M4
<b>5</b>	1		Coin box	Myntlåda		
<b>6</b>	1	<b>471 4591-01</b>	•Coin box	•Myntlåda	3	Complete
<b>7</b>	1	<b>471 4592-01</b>	•Cover	•Lock	3	
* <b>8</b>	1	<b>472 9919-30</b>	Lock	Lås	1	Random key
<b>9</b>	1	<b>471 4596-01</b>	Frame	Ram	3	
<b>10</b>	1	<b>472 8895-01</b>	Bracket	Konsol	3	
<b>11</b>	2	<b>725 2331-51</b>	Screw	Skruv	3	M5X20
<b>12</b>	2	<b>731 2314-01</b>	Nut	Mutter	3	M5
<b>13</b>	1	<b>471 4876-06</b>	Switch	Strömbrytare	1	
<b>14</b>	1	<b>438 5350-81</b>	Cables	Kablage	3	
<b>15</b>	2	<b>724 1226-01</b>	Screw	Skruv	3	M3X12
<b>16</b>	2	<b>731 2310-01</b>	Nut	Mutter	3	M3



## 508E,808E,HS 2105E,HS 265E,WE66MP,WE66MP MopMaster,WE71MP MopMaster,WE106MP

## Coin meter details, coges

Illustration Issue Month Year

Illustration Utgåva Månad År

## Myntmätardetaljer,coges

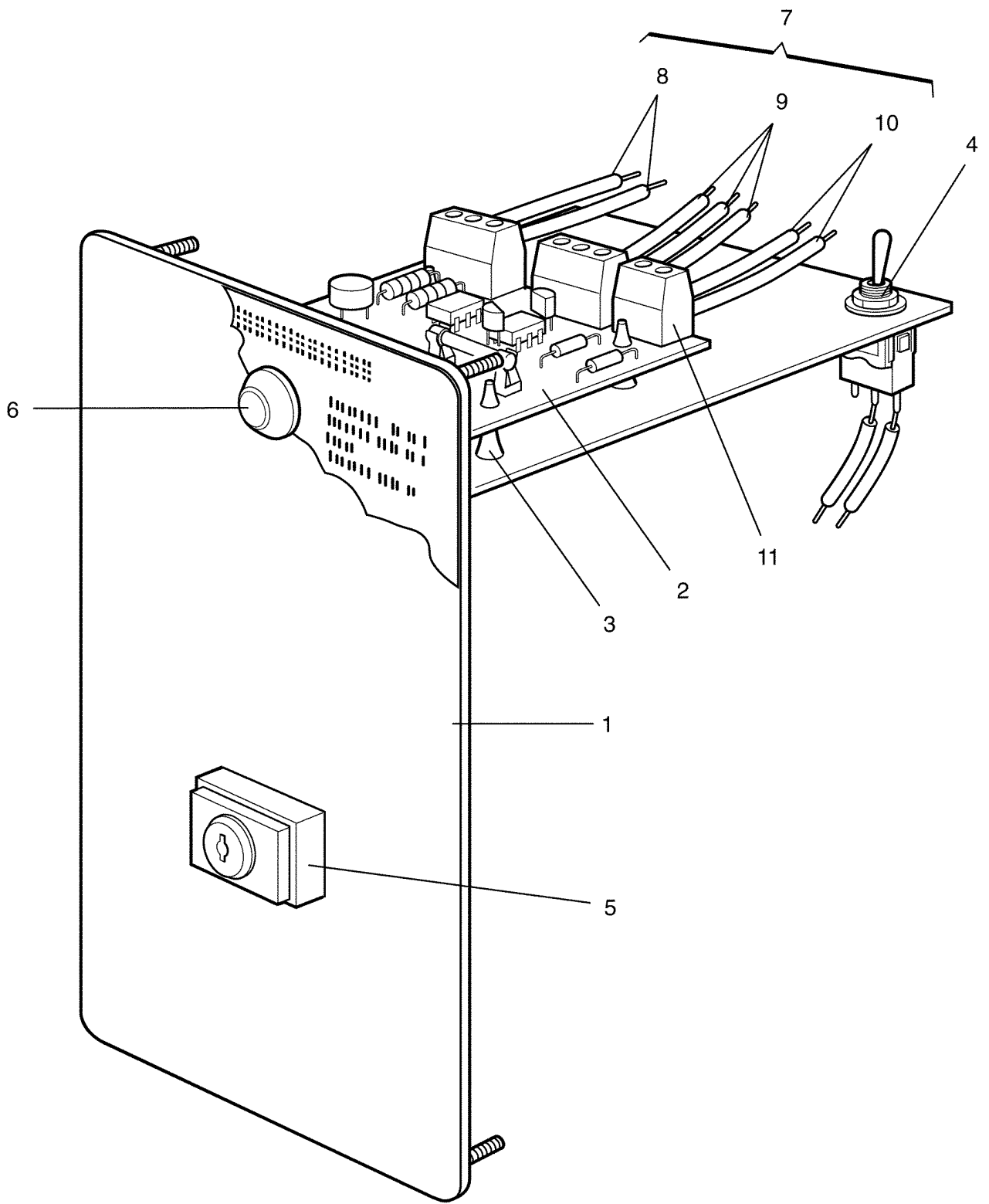
101439

1

10

1997

Item Pos.	Qua. Ant.	Art.No Art.nr	Description	Benämning	Info Info	Notes Anmärkning
1	1	438 0333-01	Cover plate	Täckplåt	3	Black
2	4	732 2112-01	Locking nut	Låsmutter	3	M4
3	1	438 0332-02	Mounting plate	Fästplåt	3	
4	2	471 9649-01	Relay	Relä	1,2	
5	2	471 9649-02	Socket	Socket	1	
6	4	471 8342-07	Screw	Skruv	3	
7	1	438 5350-83	Cables	Kablage	3	
8	1	438 5350-89	Cables	Kablage	3	
9	1	471 7670-14	Sign	Skylt	3	





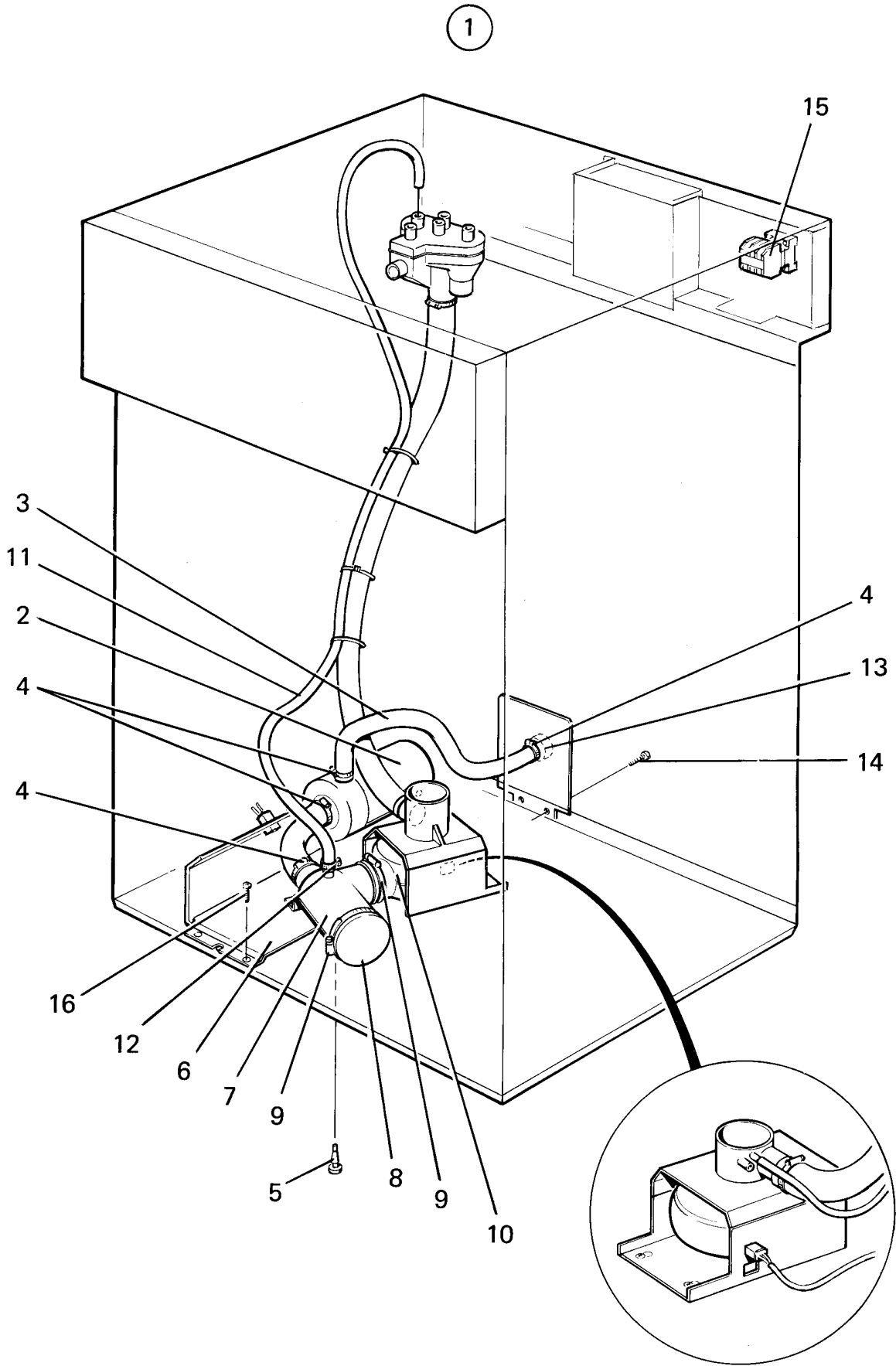
**508E,808E,HS 2105E,HS 265E,WE66MP,WE106MP****Control unit, single system**

Illustration Issue Month Year

Illustration Utgåva Månad År

**Styrenhet, betalsystem****101796/1 2 7 2005**

Item Pos.	Qua. Ant.	Art.No Art.nr	Description	Benämning	Info Info	Notes Anmärkning
1	1	438 0333-33	Cover	Lock	3	
2	1	471 4731-02	Printed circuit board	Kretskort	1	
3	4	471 7958-01	Support	Stöd	3	
4	1	471 9629-02	Switch	Brytare	1	
5	1	488 6565-00			1	
	1	471 9646-02	Key switch	Nyckelbrytare	1	
6	1	763 1802-01	Glass	Glas	1	Red
7	1	438 5350-80	Cables	Kablage	3	
8	1	438 3031-80	•Cables	•Kablage	3	
9	1	438 3019-42	•Cables	•Kablage	3	
10	1	438 3019-07	•Cables	•Kablage	3	
11	1	762 7202-57	Terminal connection	Kopplingsplint	3	2-pole



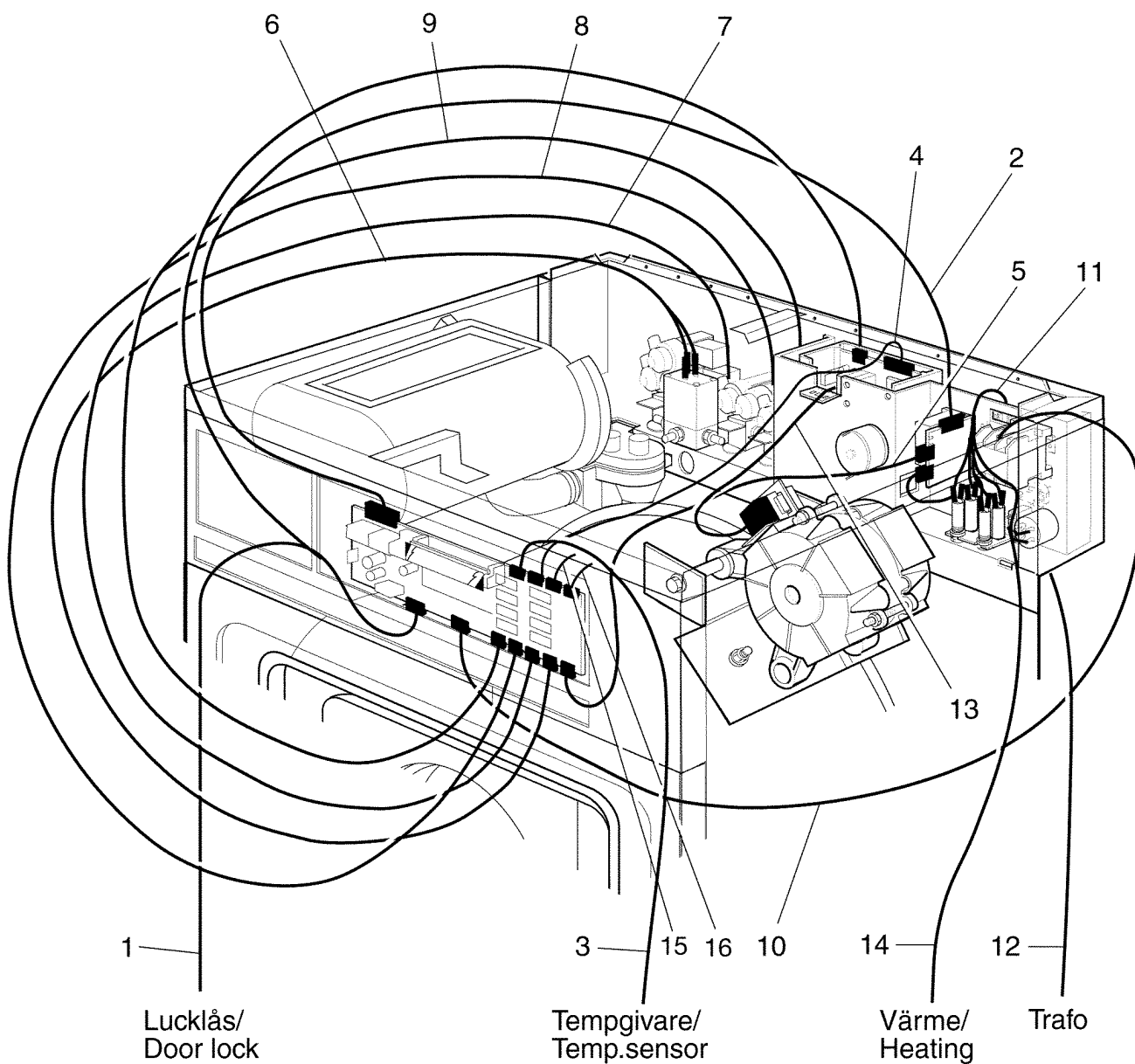
**508E,HS 265E,WE66MP,WE66MP MopMaster****Pump unit**

Illustration Issue Month Year

Illustration Utgåva Månad År

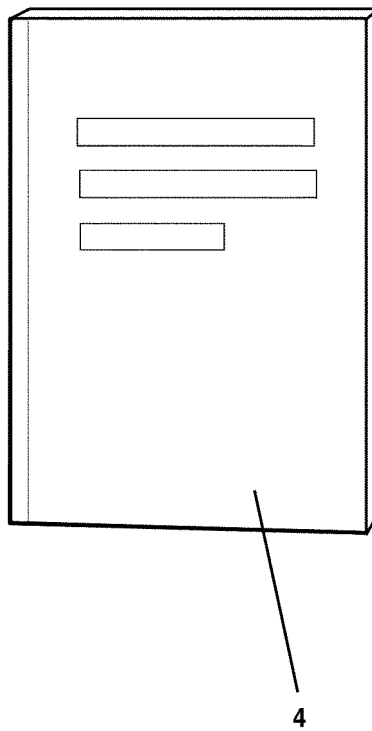
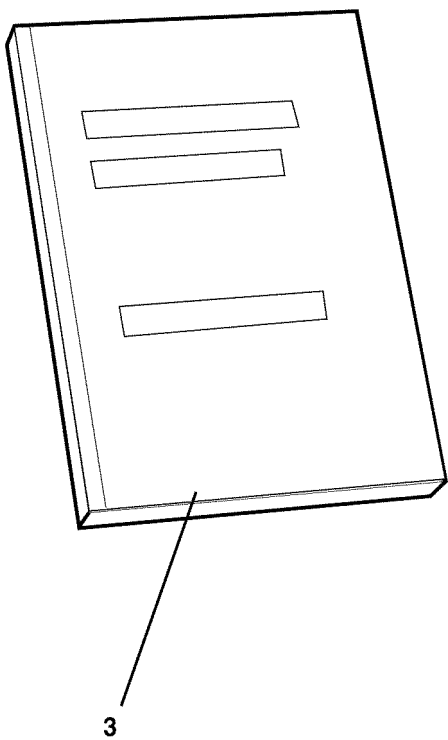
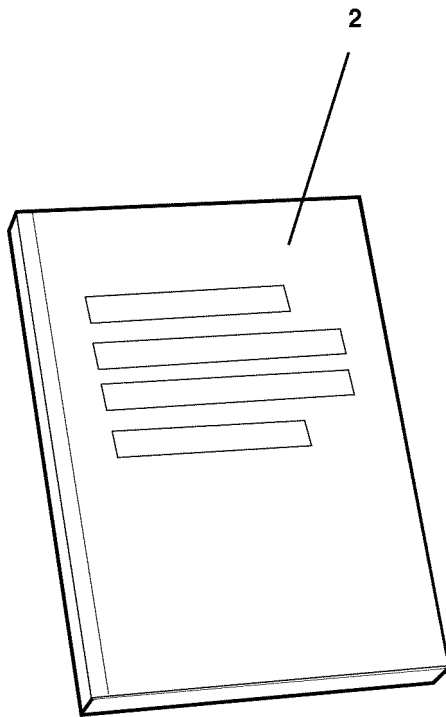
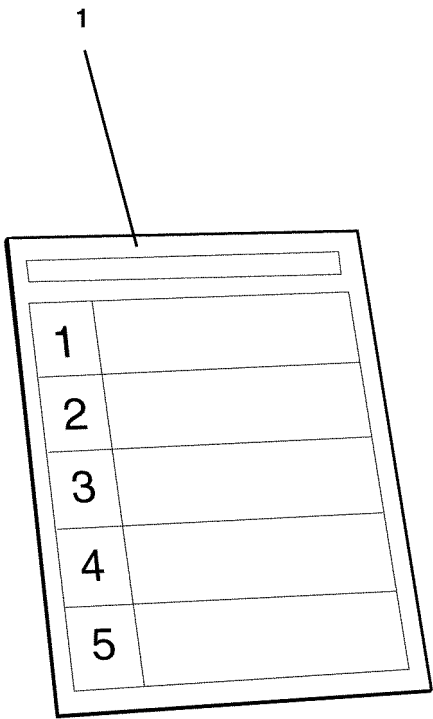
**Pumpenhet****101357 3 10 1996**

Item Pos.	Qua. Ant.	Art.No Art.nr	Description	Benämning	Info Info	Notes Anmärkning
1	1	438 4031-05	Pump	Pump	3	230V 50/60Hz
	1	438 4031-06	Pump	Pump	3	120V 60Hz
2	1	472 8268-02	•	•	1,2	
	1	472 8268-03	•	•	1,2	
3	RQ	438 4038-01	•Hose	•Slang	1	
4	4	736 2828-51	•Hose clamp	•Slangklämma	3	
5	3	471 8196-01	•Plug	•Plugg	3	
6	1	438 4026-02	•Support frame	•Fästplatta	3	
7	1	438 4025-01	•Container	•Behållare	3	
8	1	472 6760-01	•Hood	•Huv	3	
9	2	736 2849-51	•Hose clamp	•Slangklämma	3	Ø77-93
10	1	472 8754-03	•Drain valve	•Avloppsventil	1	230V 50Hz
	1	472 8754-04	•Drain valve	•Avloppsventil	1,2	110V 60Hz
11	1	471 8116-03	•Hose	•Slang	1	L=1450 L=1450
12	1	736 2819-51	•Hose clamp	•Slangklämma	3	
13	1	438 4045-01	•Connection	•Anslutning	3	
14	2	471 8340-22	•Screw	•Skruv	3	4,2X9,5
15	1	438 9636-02	•Contactor	•Kontaktor	1,2	50Hz
	1	767 5103-09	•Contactor	•Kontaktor	1,2	110V 60Hz
	1	438 9636-03	•Contactor	•Kontaktor	1,2	60Hz



**508E,808E,HS 2105E,HS 265E,WE66MP,WE66MP MopMaster,WE71MP MopMaster,WE106MP****Cables**Illustration Issue Month Year  
Illustration Utgåva Månad År**Kablage****101378/1 5 11 1997**

Item Pos.	Quantity Antal	Art.No Art.nr	Description	Benämning	Info Info	Notes Anmärkning
			508E,HS 265E,WE66MP,WE66MP MopMaster,WE71MP MopMaster			
			808E,HS 2105E,WE106MP			
1	1	1	438 5350-20	Cables	Kablage	3
2	1		438 3087-08	Cables	Kablage	3
		1	438 3087-09	Cables	Kablage	3
3	1	1	438 5350-25	Cables	Kablage	3
4	1		438 3084-13	Cables	Kablage	3
		1	438 3084-15	Cables	Kablage	3
5	1		438 3082-23	Cables	Kablage	3
		1	438 3082-03	Cables	Kablage	3
6	1		438 5350-30	Cables	Kablage	3
		1	438 5350-32	Cables	Kablage	3
		1	438 5350-33	Cables	Kablage	3
7	1		438 3086-05	Cables	Kablage	3
		1	438 3086-19	Cables	Kablage	3
		1	438 5350-90	Cables	Kablage	3
		1	438 5350-91	Cables	Kablage	3
8	1		438 3084-19	Cables	Kablage	3
		1	438 3084-16	Cables	Kablage	3
9	1		438 3082-04	Cables	Kablage	3
		1	438 3082-07	Cables	Kablage	3
10	1	1	438 5350-60	Cables	Kablage	3
		1	438 5350-61	Cables	Kablage	3
		1	438 5350-62	Cables	Kablage	3
11	1	1	438 5350-01	Cables	Kablage	3
12	1	1	438 5350-10	Cables	Kablage	3 Trafo
13	1	1	438 5350-45	Cables	Kablage	3
14	1		438 5350-50	Cables	Kablage	3 HEATING, 3N AC 7,5KW
		1	438 5350-55	Cables	Kablage	3 HEATING, 1AC 5KW
		1	438 5350-51	Cables	Kablage	3 HEATING, 3N AC 9KW
		1	438 5350-52	Cables	Kablage	3 HEATING, 3/3N AC 7,5KW, CHA
		1	438 5350-60	Cables	Kablage	3 HEATING, STEAM
15	1	1	438 5350-83	Cables	Kablage	3 CalCad
16	1	1	438 5350-81	Cables	Kablage	3



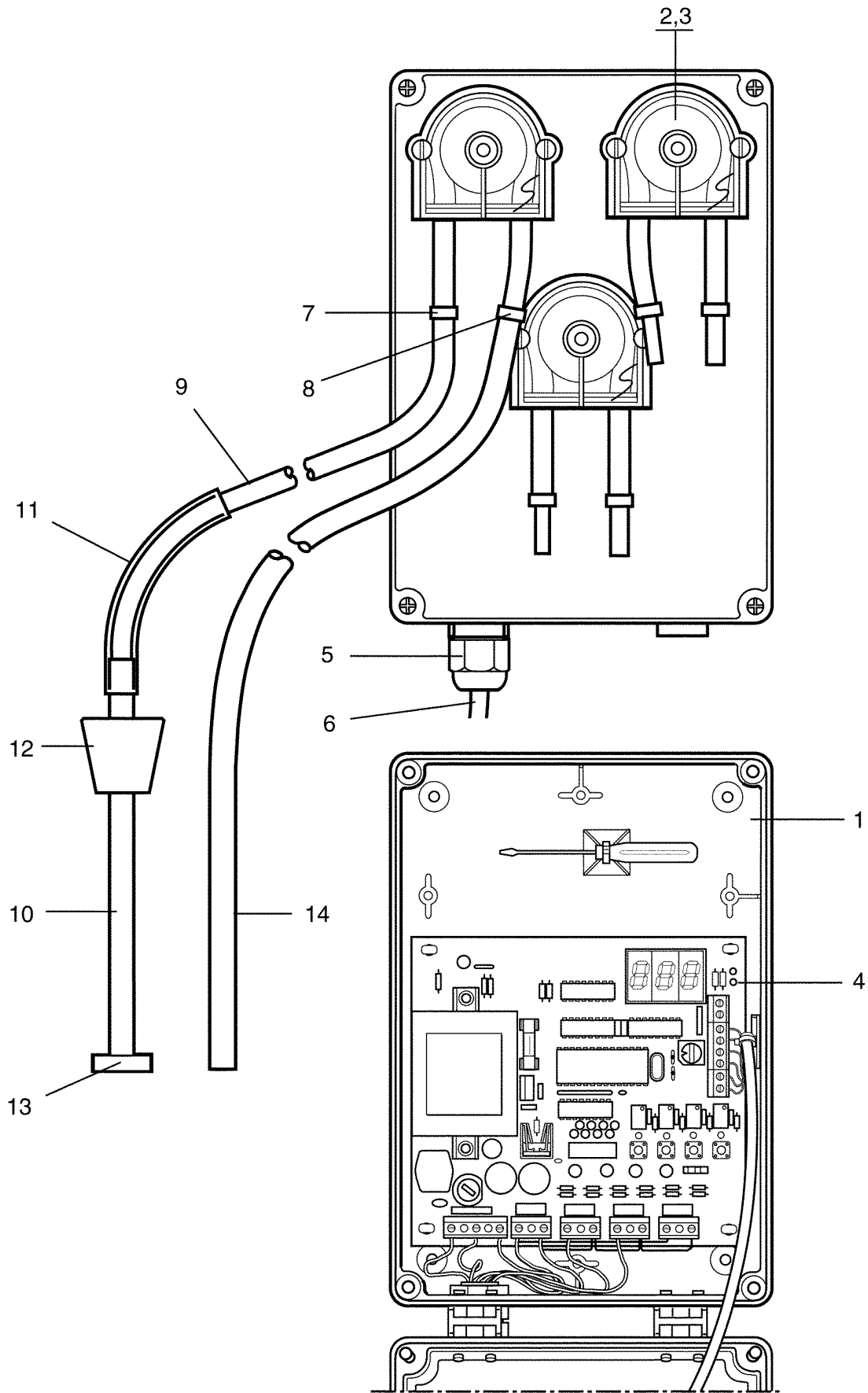
**508E,HS 265E,WE66MP****Technical documentation**

Illustration Issue Month Year

Illustration Utgåva Månad År

**Teknisk dokumentation****101399 1 3 1996**

Item Pos.	Qua. Ant.	Art.No Art.nr	Description	Benämning	Info Info	Notes Anmärkning
<b>1</b>	1	<b>471 1578-00</b>	Wall instruction	Vägganvisning	1	Swedish Wascator
	1	<b>471 1528-52</b>	Wall instruction	Vägganvisning	1	Swedish OSBY
<b>2</b>	1	<b>438 9010-00</b>	Instruction manual	Handbok	1	Swedish WE66,106MP
	1	<b>438 9010-01</b>	Instruction manual	Handbok	1	English WE 66,106MP
	1	<b>438 9010-02</b>	Instruction manual	Handbok	1	German WE 66,106MP
	1	<b>438 9010-03</b>	Instruction manual	Handbok	1	French WE 66,106MP
	1	<b>438 9010-04</b>	Instruction manual	Handbok	1	Spanish WE 66,106MP
	1	<b>438 9010-05</b>	Instruction manual	Handbok	1	Danish WE 66,106MP
	1	<b>438 9010-06</b>	Instruction manual	Handbok	1	Finnish WE 66,106MP
	1	<b>438 9010-07</b>	Instruction manual	Handbok	1	Norwegian WE 66,106MP
	1	<b>438 9010-08</b>	Instruction manual	Handbok	1	Dutch WE 66,106MP
	1	<b>438 9010-09</b>	Instruction manual	Handbok	1	Italian WE 66,106MP
	1	<b>438 9010-10</b>	Instruction manual	Handbok	1	PORTUGESE WE 66,106MP
	1	<b>438 9010-32</b>	Instruction manual	Handbok	1	German HE O1,WE71,106MP
	1	<b>438 9010-40</b>	Instruction manual	Handbok	1	Swedish 508,808E
	1	<b>438 9010-51</b>	Instruction manual	Handbok	1	English HS 262,5105E
	1	<b>438 9010-52</b>	Instruction manual	Handbok	1	German HS 265,2105E
	1	<b>438 9010-53</b>	Instruction manual	Handbok	1	French HS 265,2105E
	1	<b>438 9010-54</b>	Instruction manual	Handbok	1	Spanish HS 265,2105E
	1	<b>438 9010-55</b>	Instruction manual	Handbok	1	Danish HS 265,2105
1	<b>438 9010-57</b>	Instruction manual	Handbok	1	Norwegian HS 265,2105E	
1	<b>438 9010-58</b>	Instruction manual	Handbok	1	Dutch HS 265,2105E	
1	<b>438 9010-59</b>	Instruction manual	Handbok	1	Italian HS 265,2105E	
1	<b>438 9010-60</b>	Instruction manual	Handbok	1	PORTUGESE HS 265,2105E	
<b>3</b>	1	<b>438 9011-50</b>	Service manual	Servicehandbok	1	Swedish WE 66,106MP
	1	<b>438 9011-51</b>	Service manual	Servicehandbok	1	English WE 66,106MP
	1	<b>438 9011-52</b>	Service manual	Servicehandbok	1	German WE 66,106MP
	1	<b>438 9011-61</b>	Service manual	Servicehandbok	1	English HS 265,2105E
	1	<b>438 9011-62</b>	Service manual	Servicehandbok	1	German HS 265,2105E
<b>4</b>	1	<b>438 9020-10</b>	Spare parts list	Reservdelslista	1,2	Swedish 508,808E
	1	<b>438 9020-10</b>	Spare parts list	Reservdelslista	1,2	WE 66,106MP/508,808E
	1	<b>438 9020-11</b>	Spare parts list	Reservdelslista	1,2	HS 265,2105E



Issue	Month	Year
01	06	99



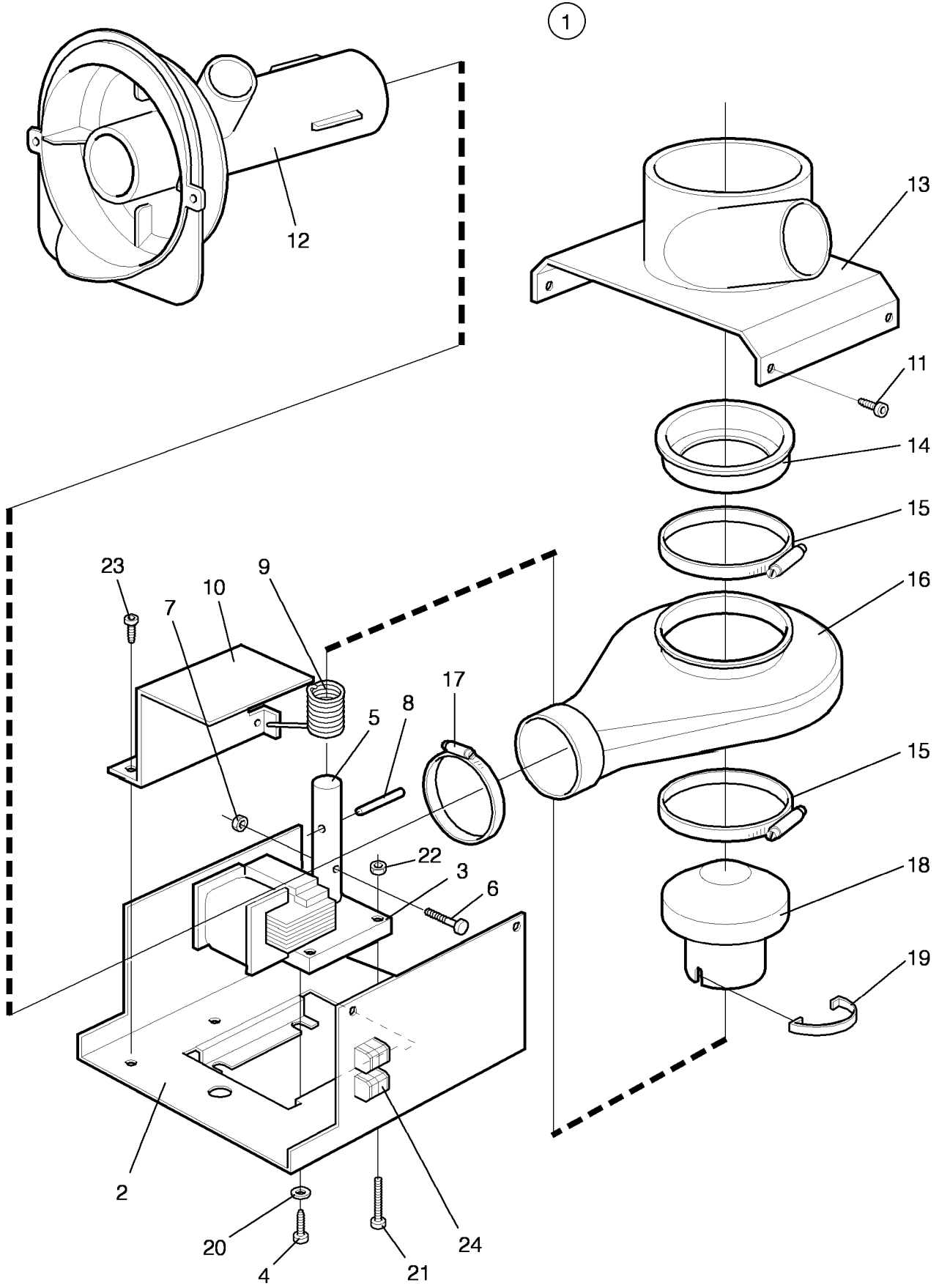
**808E,HS 2105E,WE106MP****Pump unit**

Illustration Issue Month Year

Illustration Utgåva Månad År

**Pumpenhet****101723/1 1 6 1999**

Item Pos.	Qua. Ant.	Art.No Art.nr	Description	Benämning	Info Info	Notes Anmärkning
1	1	471 8284-20	Component box	Apparatlåda	3	
2	3	471 8284-21	Pump head	Pumphuvud	3	
3	3	471 8284-22	Motor	Motor	1	12V DC
4	1	471 8284-23	Printed circuit board	Kretskort	1	
5	1	471 8284-24	Grommet	Kabelgenomföring	3	
6	RQ	471 8284-26	Cable	Kabel	3	
7	3	471 8284-32	Joint nipple	Skarvnippel	3	6x6mm
8	3	471 8284-38	Joint sleeve	Skarvhylsa	3	6x9mm
9	RQ	471 8284-27	Hose	Slang	1	6x9mm
10	RQ	471 8284-28	PVC-tube	PVC-rör	3	
11	3	471 8284-30	Flexible wire hose	Skyddsslang	3	
12	3	471 8284-31	Plug	Propp	3	
13	3	471 8284-29	Strainer	Sil	3	
14	RQ	471 8284-37	Hose	Slang	1	9x12mm



**508E,808E,HS 2105E,HS 265E,WE66MP,WE66MP MopMaster,WE71MP MopMaster,WE106MP**

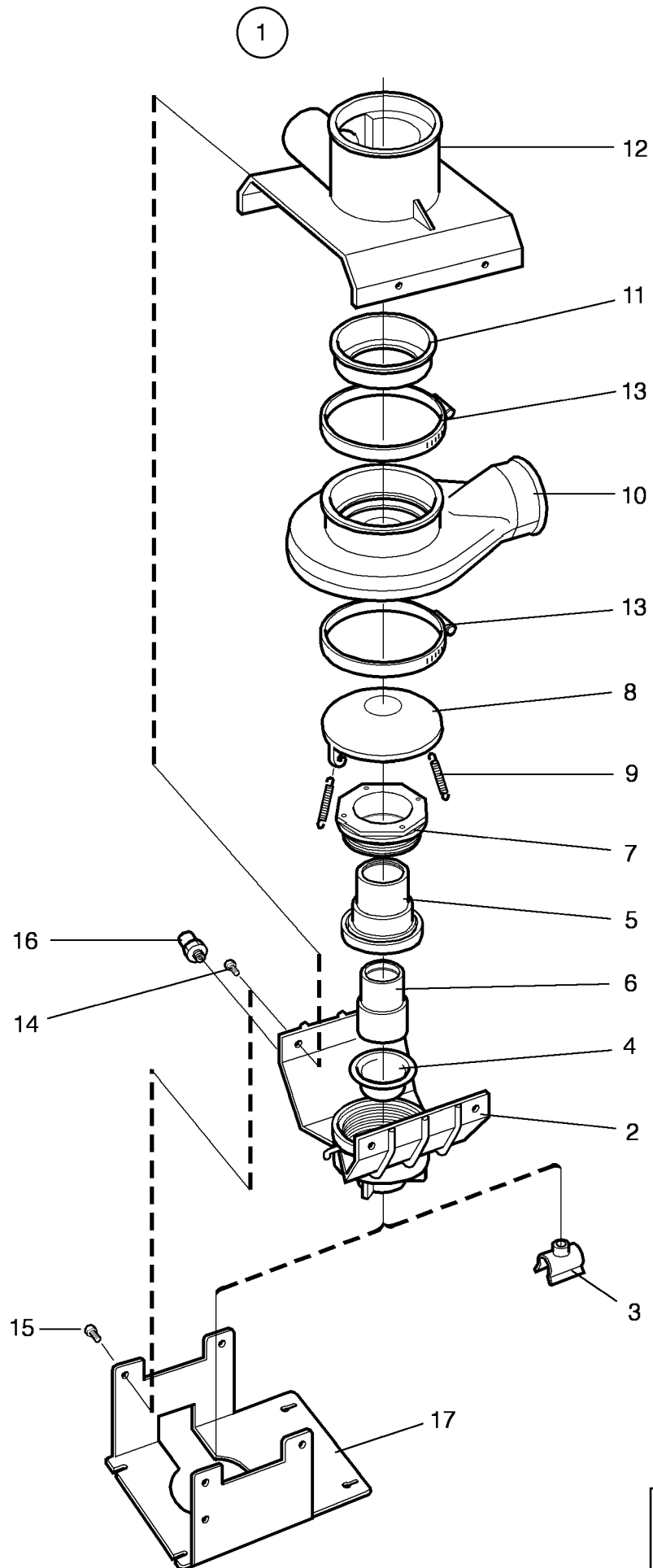
**Drain valve**

Illustration Issue Month Year  
Illustration Utgåva Månad År

**Avloppsventil**

**100230 5 10 1995**

Item Pos.	Qua. Ant.	Art.No Art.nr	Description	Benämning	Info Info	Notes Anmärkning
1	1	472 8754-01	Drain valve	Avloppsventil	1	220V 50/60Hz
	1	472 8754-02	Drain valve	Avloppsventil	1	120V 60Hz
2	1	472 8772-01	•Bracket	•Konsol	3	
3	1	471 9727-01	•Motor	•Motor	1,2	220V 50/60Hz With gear
	1	471 9727-02	•Motor	•Motor	1,2	120V With gear
4	3	471 8341-22	•Screw	•Skruv	3	MRT 5X8
5	1	472 6016-00	•Piston	•Kolvstång	1	
6	1	724 1295-01	•Screw	•Skruv	3	M4X20
7	1	732 2112-01	•Locking nut	•Låsmutter	3	M4
8	1	472 6017-00	•Shaft	•Axel	1	
9	1	471 7804-01	•Torsion spring	•Vridfjäder	1,2	
10	1	472 6195-01	•Cover	•Skydd	3	
11	4	471 8317-01	•Screw	•Skruv	3	
12	1	472 8722-01	•Connection	•Stos	1	
13	1	472 6011-00	•Hose connection	•Slanganslutning	3	
	1	472 6011-01	•Hose connection	•Slanganslutning	3	PLUGGED
14	1	472 6012-00	•Rubber ring	•Manschett	1,2	
15	2	471 7851-02	•Hose clamp	•Slangklämma	3	
16	1	472 6013-00	•Hose	•Slang	1,2	
17	1	736 2840-51	•Hose clamp	•Slangklämma	3	Ø50-63
18	1	472 6015-00	•Piston	•Kolv	1	
19	1	472 6147-00	•Spring	•Fjäder	1	
20	3	735 2146-01	•Washer	•Bricka	3	M5
21	1	471 8341-19	•Screw	•Skruv	3	M4X40
22	1	731 2312-01	•Nut	•Mutter	3	M4
23	2	471 8340-12	•Screw	•Skruv	3	RTS 3,5X9,5
24	2	762 3131-01	•Insulator	•Isolator	3	



**508E,808E,HS 2105E,HS 265E,WE66MP,WE66MP MopMaster,WE71MP MopMaster,WE106MP**

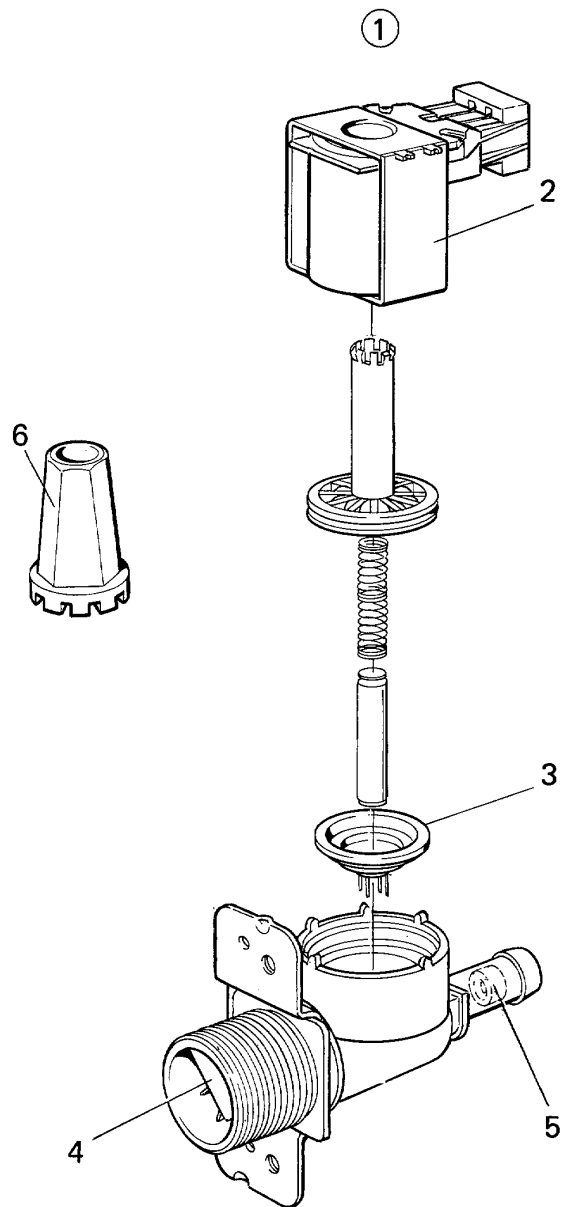
**Drain valve**

Illustration Issue Month Year  
Illustration Utgåva Månad År

**Avloppsventil**

**100771/3 14 11 2008**

Item Pos.	Qua. Ant.	Art.No Art.nr	Description	Benämning	Info Info	Notes Anmärkning
1	1	438 0093-10	Drain valve	Avloppsventil	1,2	Complete
2	1	438 0051-01	•Lower frame	•Underdel	3	
4	1	471 8195-01	•Diaphragm	•Membran	1	
5	1	438 0053-01	•Housing	•Hus	3	
6	1	438 0054-01	•Piston	•Kolv	3	
7	1	438 0055-01	•Gland	•Gland	3	
8	1	438 0052-01	•Cover	•Lock	3	
9	2	471 7818-01	•Spring	•Fjäder	3	Not in 438 00 93-05
10	1	472 6013-00	•Hose	•Slang	1	
11	1	472 6012-00	•Rubber ring	•Manschett	3	
12	1	472 6011-00	•Hose connection	•Slanganslutning	3	
13	2	736 2849-51	•Hose clamp	•Slangklämma	3	Ø77-93
15	4	471 8346-01	•Screw	•Skruv	3	
16	1	471 8688-13	•Nipple	•Nippel	3	1/8"
17	1	438 5354-01	•Bracket	•Hållare	3	



**508E,808E,HS 2105E,HS 265E,WE66MP,WE66MP MopMaster,WE71MP MopMaster,WE106MP**

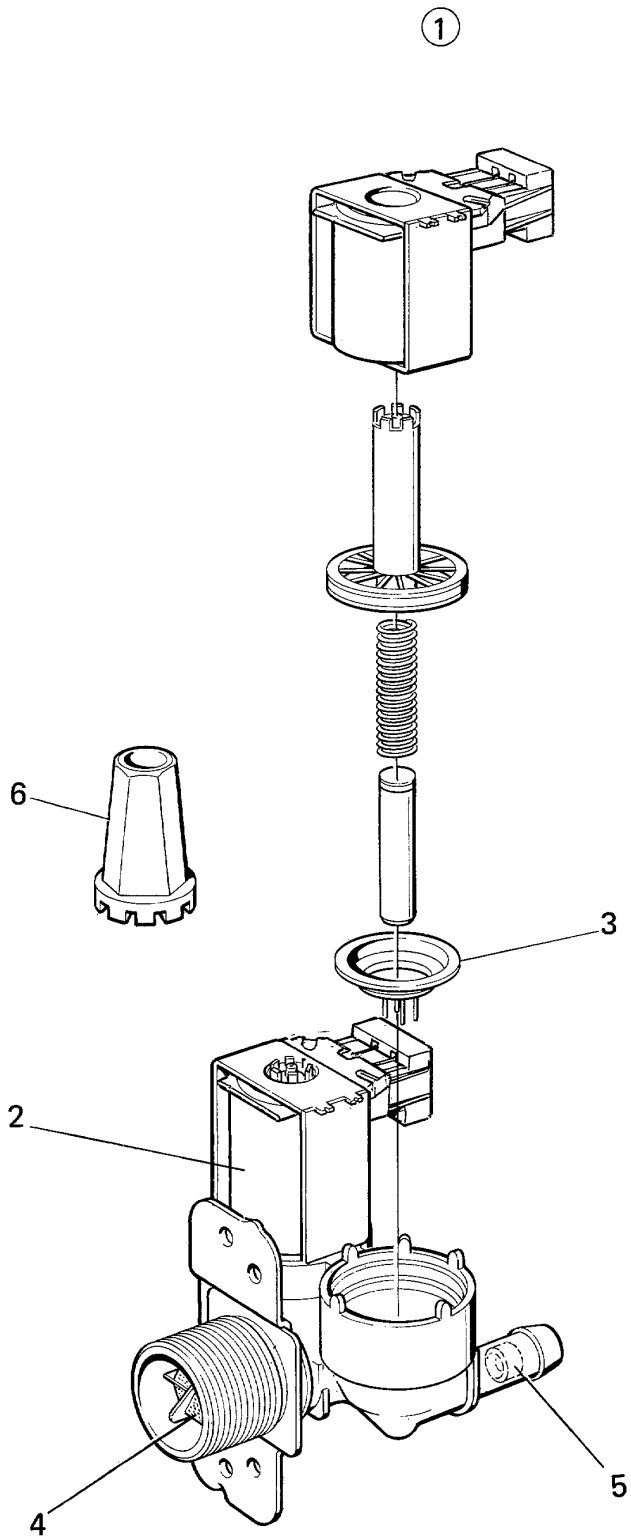
**Inlet valve 3/4", 1-way**

Illustration Issue Month Year  
Illustration Utgåva Månad År

**Tilloppsventil 3/4",1-vägs**

**100799/1 5 10 2002**

Item Pos.	Qua. Ant.	Art.No Art.nr	Description	Benämning	Info Info	Notes Anmärkning
<b>1</b>	1	<b>471 8234-51</b>	Valve	Ventil	1,2	208-240V Restriction 5,5l/min
	1	<b>471 8234-52</b>	Valve	Ventil	1,2	50Hz/60Hz
	1	<b>471 8234-53</b>	Valve	Ventil	1,2	120V 60Hz
	1	<b>471 8234-56</b>	Valve	Ventil	1,2	208-240V Restriction 10l/min
<b>2</b>	1	<b>471 8234-58</b>	Valve	Ventil	1,2	208-240V
	1	<b>471 6860-15</b>	•Coil	•Spole	1,2	120V Green
	1	<b>471 6860-16</b>	•Coil	•Spole	1,2	120V Orange
	1	<b>471 6860-17</b>	•Coil	•Spole	1,2	120V White
	1	<b>471 6860-18</b>	•Coil	•Spole	1,2	208-240V Green
	1	<b>471 6860-19</b>	•Coil	•Spole	1,2	208-240V Orange
	1	<b>471 6860-20</b>	•Coil	•Spole	1,2	208-240V White
<b>3</b>	1	<b>471 8234-98</b>	•Diaphragm	•Membran	1,2	NITRIL
	1	<b>471 8234-92</b>	•Diaphragm	•Membran	1,2	EPDM
<b>4</b>	1	<b>471 8234-94</b>	•Filter	•Filter	1	
<b>5</b>	1	<b>471 8234-95</b>	•Restrictor	•Strypbricka	3	2,5l/min
	1	<b>471 8234-96</b>	•Restrictor	•Strypbricka	3	5,5l/min
<b>6</b>	1	<b>471 4792-01</b>	Tool	Verktyg	3	





**508E,808E,HS 2105E,HS 265E,WE66MP,WE66MP MopMaster,WE71MP MopMaster,WE106MP**

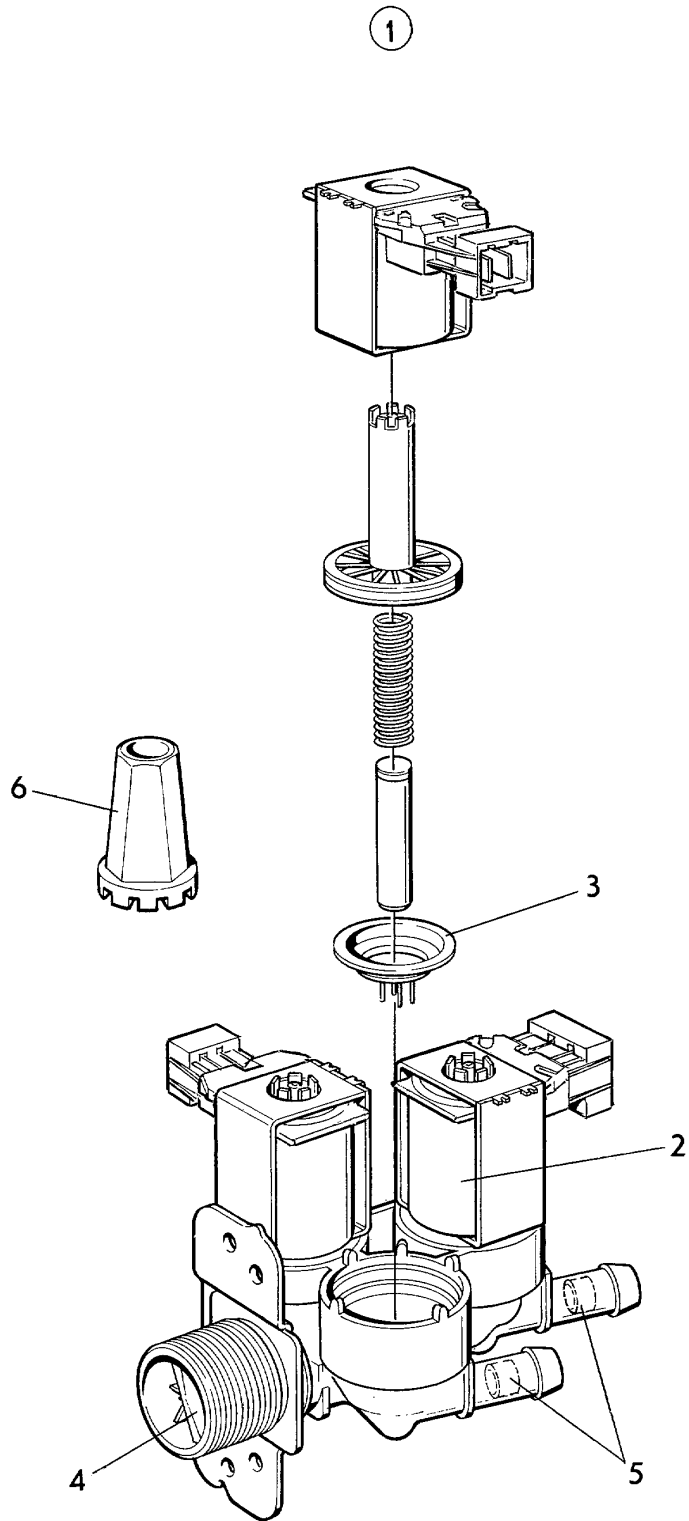
**Inlet valve 3/4", 2-way**

Illustration Issue Month Year  
Illustration Utgåva Månad År

**Tilloppsventil 3/4",2-vägs**

**100798/1 6 10 2002**

Item Pos.	Qua. Ant.	Art.No Art.nr	Description	Benämning	Info Info	Notes Anmärkning	
<b>1</b>	1	<b>471 8235-51</b>	Valve	Ventil	1,2	2-way, 208-240V 50/60Hz, BSP	
	1	<b>471 8235-54</b>	Valve	Ventil	1,2	2-way, 208-240V 60Hz, NH USA USA	
	1	<b>471 8235-57</b>	Valve	Ventil	1,2	2-way, 120V 60Hz, NH USA USA	
	1	<b>471 8235-59</b>	Valve	Ventil	1,2	2-way, 208-240V 50/60Hz, NH USA USA	
	1	<b>471 8235-58</b>	Valve	Ventil	1,2	2-way, 208-240V 50/60Hz, BSP	
	1	<b>471 8235-60</b>	Valve	Ventil	1,2	2-way, 208-240V 50/60Hz, BSP	
	1	<b>471 8235-62</b>	Valve	Ventil	1,2	2-way, 208-240V 50/60Hz, BSP	
	<b>2</b>	1	<b>471 6860-15</b>	•Coil	•Spole	1,2	120V Green
		1	<b>471 6860-16</b>	•Coil	•Spole	1,2	120V Orange
		1	<b>471 6860-17</b>	•Coil	•Spole	1,2	120V White
1		<b>471 6860-18</b>	•Coil	•Spole	1,2	208-240V Green	
1		<b>471 6860-19</b>	•Coil	•Spole	1,2	208-240V Orange	
<b>3</b>	1	<b>471 6860-20</b>	•Coil	•Spole	1,2	208-240V White	
	1	<b>471 8234-98</b>	•Diaphragm	•Membran	1,2	NITRIL	
	1	<b>471 8234-92</b>	•Diaphragm	•Membran	1,2	EPDM	
<b>4</b>	1	<b>471 8234-94</b>	•Filter	•Filter	1		
<b>5</b>	1	<b>471 8234-95</b>	•Restrictor	•Strypbricka	3	2,5l/min	
	1	<b>471 8234-96</b>	•Restrictor	•Strypbricka	3	5,5l/min	
<b>6</b>	1	<b>471 4792-01</b>	Tool	Verktyg	3		



**508E,808E,HS 2105E,HS 265E,WE66MP,WE66MP MopMaster,WE71MP MopMaster,WE106MP**

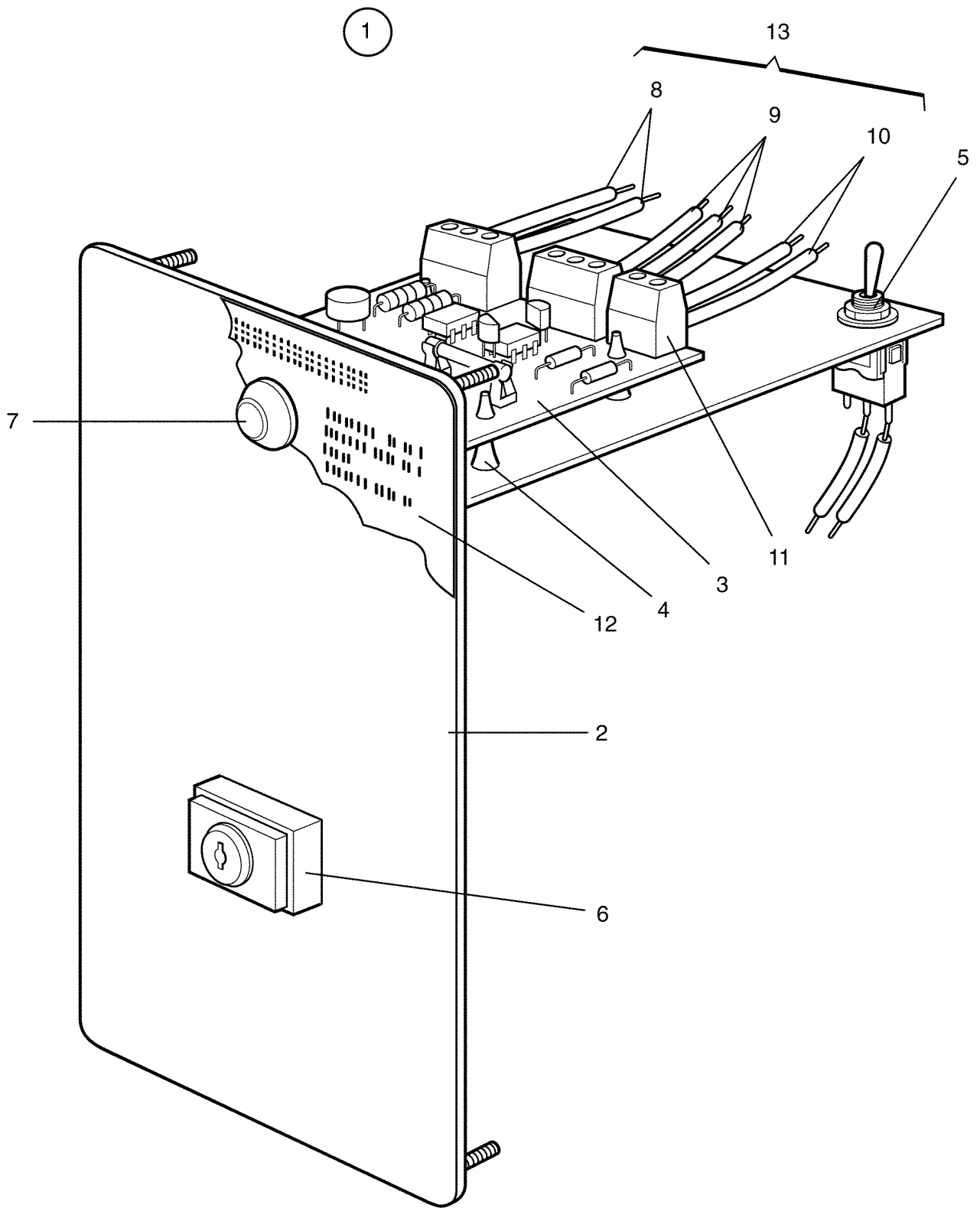
**Inlet valve 3/4", 3-way**

Illustration Issue Month Year  
Illustration Utgåva Månad År

**Tilloppsventil 3/4",3-vägs**

**100797/1 7 10 2002**

Item Pos.	Qua. Ant.	Art.No Art.nr	Description	Benämning	Info Info	Notes Anmärkning
<b>1</b>	1	<b>471 8236-52</b>	Valve	Ventil	1,2	3-way, 208-240V 50/60Hz, BSP Restriction 5,5/-/1/min
	1	<b>471 8236-56</b>	Valve	Ventil	1,2	3-way, 208-240V 50/60Hz, BSP
	1	<b>471 8236-60</b>	Valve	Ventil	1,2	3-way, 208-240V 50/60Hz, BSP Restriction 5,5/10/10 l/min
	1	<b>471 8236-62</b>	Valve	Ventil	1,2	3-way, 208-240V 50/60Hz, BSP Restriction 5,5/8/8 l/min
	1	<b>471 8236-64</b>	Valve	Ventil	1,2	3-way, 208-240V 50/60Hz, BSP Restriction -/5,5 l/min
	1	<b>471 8236-57</b>	Valve	Ventil	1,2	3-way, 208-240V 50/60Hz, BSP
	1	<b>471 8236-68</b>	Valve	Ventil	1,2	3-way, 208-240V 50/60Hz, BSP IN 20L/MIN,OUT 2,5L/MIN
	1	<b>471 8236-66</b>	Valve	Ventil	1,2	3-way, 120V 60Hz, NH USA
	1	<b>471 8236-65</b>	Valve	Ventil	1,2	3-way, 208-240V 50/60Hz, NH USA
	<b>2</b>	1	<b>471 6860-15</b>	•Coil	•Spole	1,2
1		<b>471 6860-16</b>	•Coil	•Spole	1,2	120V Orange
1		<b>471 6860-17</b>	•Coil	•Spole	1,2	120V White
1		<b>471 6860-18</b>	•Coil	•Spole	1,2	208-240V Green
1		<b>471 6860-19</b>	•Coil	•Spole	1,2	208-240V Orange
1		<b>471 6860-20</b>	•Coil	•Spole	1,2	208-240V White
<b>3</b>	1	<b>471 8234-98</b>	•Diaphragm	•Membran	1,2	NITRIL
	1	<b>471 8234-92</b>	•Diaphragm	•Membran	1,2	EPDM USA
<b>4</b>	1	<b>471 8234-94</b>	•Filter	•Filter	1	
<b>5</b>	1	<b>471 8234-95</b>	•Restrictor	•Strypbricka	3	2,5l/min
	1	<b>471 8234-96</b>	•Restrictor	•Strypbricka	3	5,5l/min
<b>6</b>	1	<b>471 4792-01</b>	Tool	Verktyg	3	



**508E,808E,HS 2105E,HS 265E,WE66MP,WE66MP MopMaster,WE71MP MopMaster,WE106MP**

**Control unit**

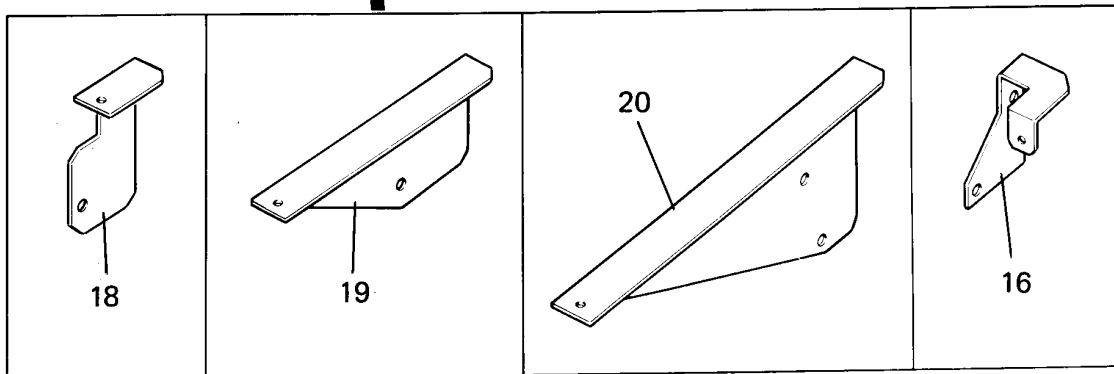
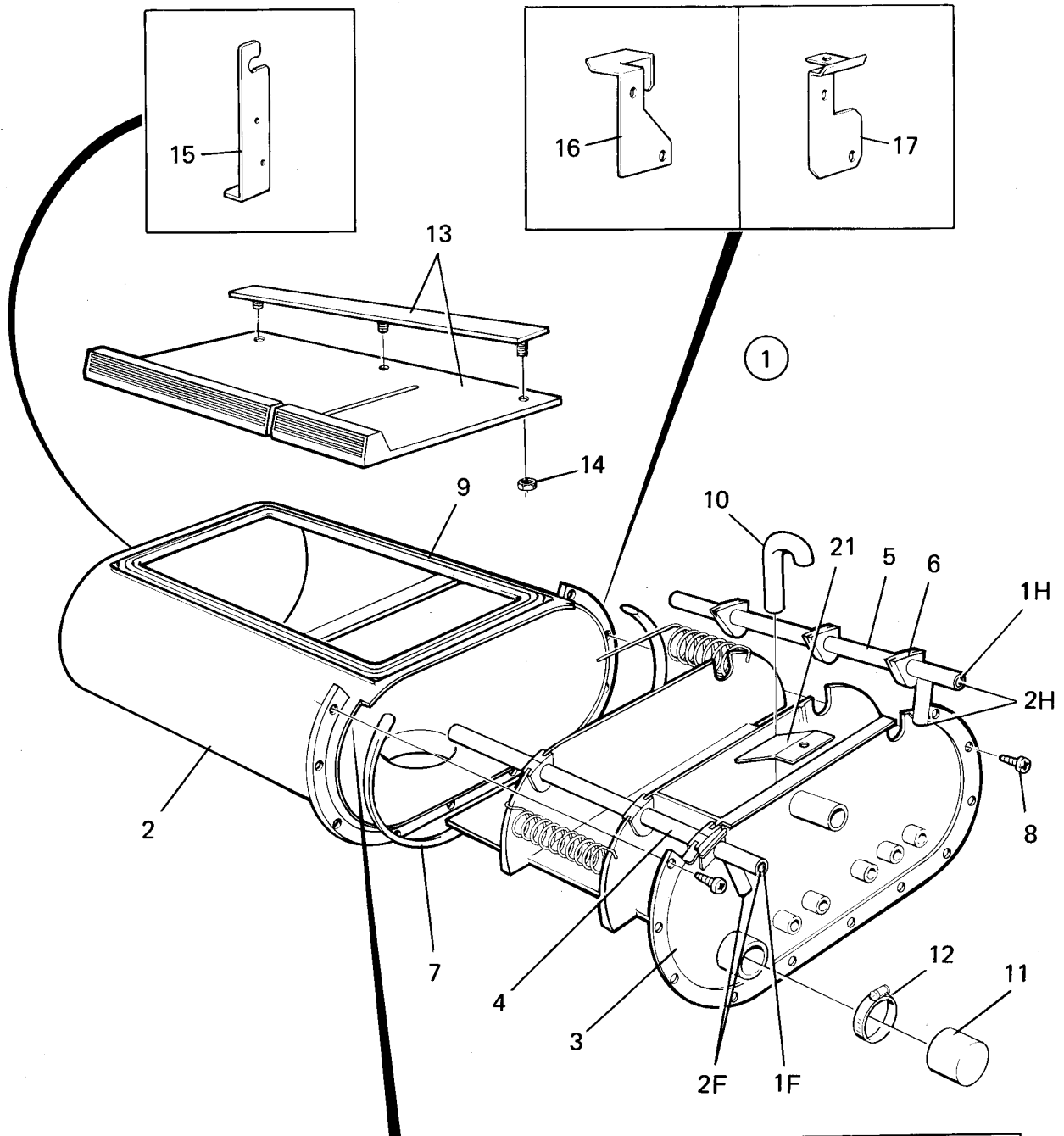
Illustration Issue Month Year

Illustration Utgåva Månad År

**Styrenhet**

**101150/2 6 7 2005**

Item Pos.	Qua. Ant.	Art.No Art.nr	Description	Benämning	Info Info	Notes Anmärkning
<b>1</b>	1	<b>438 0175-11</b>	Conversion kit	Ombyggnadssats	3	
<b>2</b>	1	<b>438 0333-33</b>	•Cover	•Lock	3	
<b>3</b>	1	<b>471 4731-02</b>	•Printed circuit board	•Kretskort	1	
<b>4</b>	4	<b>471 7958-01</b>	•Support	•Stöd	3	
<b>5</b>	1	<b>471 9629-02</b>	•Switch	•Brytare	1	
<b>6</b>	1	<b>471 9646-02</b>	•Key switch	•Nyckelbrytare	1	
<b>7</b>	1	<b>763 1802-01</b>	•Glass	•Glas	1	Red
<b>11</b>	1	<b>762 7202-57</b>	•Terminal connection	•Kopplingsplint	3	2-pole
<b>12</b>						
<b>13</b>	1	<b>438 5350-80</b>	•Cables	•Kablage	3	



## 508E,808E,HS 2105E,HS 265E,WE66MP,WE66MP MopMaster,WE71MP MopMaster,WE106MP

## Detergent container

Illustration Issue Month Year

Illustration Utgåva Månad År

## Tvättmedelsbehållare

101366/2 4 1 2003

Item Pos.	Qua. Ant.	Art.No Art.nr	Description	Benämning	Info Info	Notes Anmärkning
1	1	472 6001-58	Detergent container	Tvättmedelsbehållare	1,2	1F-1H
	1	472 6001-59	Detergent container	Tvättmedelsbehållare	1,2	1F-2H
	1	472 6001-60	Detergent container	Tvättmedelsbehållare	1,2	2F-1H
	1	472 6001-62	Detergent container	Tvättmedelsbehållare	1,2	1F-2H Without insertion USA
	1	472 6001-64	Detergent container	Tvättmedelsbehållare	1,2	1F-2H With insertion USA
	1	472 6001-68	Detergent container	Tvättmedelsbehållare	1,2	1F-2H With insertion CSA
	1	472 6001-73	Detergent container	Tvättmedelsbehållare	1,2	1F-1H With insertion USA
	1	472 6001-75	Detergent container	Tvättmedelsbehållare	1,2	2F-2H With insertion USA
	1	472 6001-76	Detergent container	Tvättmedelsbehållare	1,2	2F-2H With insertion CSA
	1	472 6001-77	Detergent container	Tvättmedelsbehållare	1,2	1F-1H With nipples
	1	472 6001-78	Detergent container	Tvättmedelsbehållare	1,2	1F-2H With nipples
	1	472 6001-79	Detergent container	Tvättmedelsbehållare	1,2	1F-2H With nipples USA
	1	472 6001-80	Detergent container	Tvättmedelsbehållare	1,2	1F-1H Japan Four pocket
	2	1	472 6002-05	•Shell	•Hölje	1
3	1	472 6003-01	•Box	•Låda	1	
	1	472 6003-04	•Box	•Låda	1	USA
4	1	472 6005-10	•Spray head	•Spridare	1	1F
	1	472 6005-11	•Spray head	•Spridare	1	2F
5	1	472 6005-01	•Spray head	•Spridare	1	1H
	1	472 6005-02	•Spray head	•Spridare	1	2H
6	6	472 6004-01	•Grommet	•Genomföring	3	
7	1	471 8163-01	•Gasket	•Packning	3	
8	7	471 8346-01	•Screw	•Skruv	1	
9	1	438 0460-01	•Gasket	•Packning	3	
10	1	472 6006-01	•Siphon	•Hävert	1,2	
11	1	471 8644-03	Hood	Huv	3	
13	1	472 9902-59	Cover	Lock	1,2	
14	3	731 2314-42	•Nut	•Mutter	3	M4
15	1	438 5326-01	Bracket	Fäste	3	
16	2	438 4139-01	Bracket	Fäste	3	
17	1	438 0150-01	Bracket	Fäste	3	W/FL75-230
18	1	438 0151-01	Bracket	Fäste	3	W75-100,WE66-106
19	1	438 0216-01	Bracket	Fäste	3	W/FL160
20	1	438 0321-01	Bracket	Fäste	3	W/FL230
21	1	472 6756-01	Plate	Plåt	3	





Numerical index/Nummerregister

Art.No/Art.nr	Page/Sida	Art.No/Art.nr	Page/Sida	Art.No/Art.nr	Page/Sida	Art.No/Art.nr	Page/Sida
438 0051-01	53	438 5322-02	7	438 5356-01	13	471 2451-79	21
438 0052-01	53	438 5322-10	7	438 5357-01	33	471 4591-01	37
438 0053-01	53	438 5322-11	7	438 5358-01	11	471 4592-01	37
438 0054-01	53	438 5322-21	7	438 5361-01	19	471 4596-01	37
438 0055-01	53	438 5322-22	7	438 5361-01	21	471 4654-03	13
438 0056-03	33	438 5322-30	7	438 5361-01	23	471 4656-12	13
438 0056-04	33	438 5322-31	7	438 5362-01	13	471 4731-02	41
438 0093-10	11	438 5326-01	7	438 5367-01	21	471 4731-02	61
438 0093-10	53	438 5326-01	63	438 5367-02	21	471 4792-01	33
438 0127-01	33	438 5327-01	7	438 5367-03	21	471 4792-01	55
438 0150-01	63	438 5327-02	7	438 5466-01	15	471 4792-01	57
438 0151-01	7	438 5327-04	7	438 5467-01	15	471 4792-01	59
438 0151-01	63	438 5327-05	7	438 5538-01	17	471 4876-06	37
438 0175-11	61	438 5328-01	7	438 5540-01	29	471 6700-07	31
438 0216-01	63	438 5328-02	7	438 5541-01	23	471 6860-15	55
438 0321-01	63	438 5328-04	7	438 5542-01	9	471 6860-15	57
438 0332-02	39	438 5328-05	7	438 5542-02	9	471 6860-15	59
438 0333-01	39	438 5329-01	7	438 5542-03	9	471 6860-16	55
438 0333-33	41	438 5329-02	7	438 5542-04	9	471 6860-16	57
438 0333-33	61	438 5333-01	13	438 6026-03	33	471 6860-16	59
438 0445-01	19	438 5334-01	13	438 6026-04	33	471 6860-17	55
438 0445-02	19	438 5335-01	7	438 6028-21	19	471 6860-17	57
438 0460-01	7	438 5338-01	25	438 6028-22	19	471 6860-17	59
438 0460-01	63	438 5338-02	25	438 6049-01	31	471 6860-18	55
438 0479-01	21	438 5338-31	25	438 9010-00	47	471 6860-18	57
438 0479-02	21	438 5338-32	25	438 9010-01	47	471 6860-18	59
438 0480-01	21	438 5338-33	25	438 9010-02	47	471 6860-19	55
438 0481-01	21	438 5341-01	25	438 9010-03	47	471 6860-19	57
438 0488-01	21	438 5341-01	27	438 9010-04	47	471 6860-19	59
438 0492-01	21	438 5342-01	9	438 9010-05	47	471 6860-20	55
438 3019-07	41	438 5343-01	9	438 9010-06	47	471 6860-20	57
438 3019-42	41	438 5345-01	17	438 9010-07	47	471 6860-20	59
438 3031-80	41	438 5347-01	29	438 9010-08	47	471 7074-05	15
438 3082-03	45	438 5348-01	29	438 9010-09	47	471 7559-50	13
438 3082-04	45	438 5349-01	9	438 9010-10	47	471 7559-51	13
438 3082-07	45	438 5349-02	9	438 9010-32	47	471 7651-81	31
438 3082-23	45	438 5349-03	9	438 9010-40	47	471 7651-82	31
438 3084-13	45	438 5349-04	9	438 9010-51	47	471 7651-83	31
438 3084-15	45	438 5350-01	45	438 9010-52	47	471 7651-84	31
438 3084-16	45	438 5350-10	45	438 9010-53	47	471 7651-85	31
438 3084-19	45	438 5350-20	45	438 9010-54	47	471 7651-86	31
438 3086-05	45	438 5350-25	45	438 9010-55	47	471 7651-88	31
438 3086-19	45	438 5350-30	45	438 9010-57	47	471 7651-89	31
438 3087-08	45	438 5350-32	45	438 9010-58	47	471 7651-90	31
438 3087-09	45	438 5350-33	45	438 9010-59	47	471 7670-14	39
438 4025-01	43	438 5350-45	45	438 9010-60	47	471 7694-01	25
438 4026-02	43	438 5350-50	45	438 9011-50	47	471 7694-02	25
438 4031-05	43	438 5350-51	45	438 9011-51	47	471 7694-03	25
438 4031-06	43	438 5350-52	45	438 9011-52	47	471 7694-04	25
438 4038-01	43	438 5350-55	45	438 9011-61	47	471 7694-05	25
438 4045-01	43	438 5350-57	15	438 9011-62	47	471 7694-06	25
438 4062-01	31	438 5350-58	15	438 9011-70	47	471 7694-36	27
438 4073-01	27	438 5350-60	45	438 9020-10	47	471 7696-01	25
438 4076-01	27	438 5350-61	45	438 9020-11	47	471 7696-02	25
438 4139-01	63	438 5350-62	45	438 9500-01	29	471 7696-03	25
438 4214-02	31	438 5350-80	41	438 9636-02	43	471 7696-04	25
438 5040-01	11	438 5350-80	61	438 9636-03	43	471 7696-05	25
438 5109-02	9	438 5350-81	37	471 1528-52	47	471 7696-06	25
438 5123-01	17	438 5350-81	45	471 1578-00	47	471 7696-07	25
438 5124-02	17	438 5350-83	39	471 2075-49	19	471 7696-08	25
438 5124-03	17	438 5350-83	45	471 2075-49	21	471 7696-09	25
438 5124-04	17	438 5350-89	39	471 2075-49	23	471 7696-15	27
438 5154-01	25	438 5350-90	45	471 2401-52	19	471 7698-01	25
438 5154-01	27	438 5350-91	45	471 2408-08	31	471 7698-02	25
438 5191-02	21	438 5354-01	53	471 2425-28	11	471 7698-03	25
438 5322-01	7	438 5355-01	17	471 2451-79	19	471 7698-09	25

## Numerical index/Nummerregister

Art.No/Art.nr	Page/Sida	Art.No/Art.nr	Page/Sida	Art.No/Art.nr	Page/Sida	Art.No/Art.nr	Page/Sida
471 7711-01	19	471 8235-60	57	471 8644-03	63	472 6001-64	7
471 7711-01	21	471 8235-62	57	471 8688-13	33	472 6001-64	63
471 7711-02	23	471 8236-52	59	471 8688-13	53	472 6001-68	63
471 7804-01	51	471 8236-56	59	471 8750-11	29	472 6001-73	63
471 7810-07	11	471 8236-57	59	471 8756-01	29	472 6001-75	63
471 7810-08	11	471 8236-60	59	471 8756-51	29	472 6001-76	63
471 7810-10	11	471 8236-62	59	471 8759-01	29	472 6001-77	63
471 7818-01	53	471 8236-64	59	471 8778-01	29	472 6001-78	63
471 7826-13	27	471 8236-65	59	471 8778-02	29	472 6001-79	63
471 7826-98	27	471 8236-66	59	471 8824-02	15	472 6001-80	63
471 7826-99	7	471 8236-68	59	471 8910-90	37	472 6002-05	63
471 7829-03	7	471 8243-04	33	471 8910-91	37	472 6003-01	63
471 7836-01	13	471 8243-05	33	471 8913-01	37	472 6003-04	63
471 7851-02	51	471 8243-06	33	471 8920-03	27	472 6004-01	63
471 7851-04	13	471 8252-04	11	471 8988-04	25	472 6005-01	63
471 7864-01	11	471 8259-01	11	471 8988-04	27	472 6005-02	63
471 7864-02	11	471 8279-03	35	471 9000-59	19	472 6005-10	63
471 7865-03	29	471 8279-08	35	471 9004-75	25	472 6005-11	63
471 7875-01	15	471 8284-20	49	471 9004-75	27	472 6006-01	63
471 7903-04	31	471 8284-21	49	471 9030-34	35	472 6011-00	51
471 7958-01	41	471 8284-22	49	471 9035-20	29	472 6011-00	53
471 7958-01	61	471 8284-23	49	471 9222-59	19	472 6011-01	51
471 7961-01	13	471 8284-24	49	471 9222-59	21	472 6012-00	51
471 7974-01	29	471 8284-26	49	471 9222-59	23	472 6012-00	53
471 8116-03	43	471 8284-27	49	471 9529-11	29	472 6013-00	51
471 8126-22	35	471 8284-28	49	471 9550-32	11	472 6013-00	53
471 8134-04	11	471 8284-29	49	471 9558-11	29	472 6015-00	51
471 8134-04	33	471 8284-30	49	471 9573-02	29	472 6016-00	51
471 8139-01	33	471 8284-31	49	471 9629-02	41	472 6017-00	51
471 8139-02	33	471 8284-32	49	471 9629-02	61	472 6026-01	13
471 8159-05	23	471 8284-37	49	471 9635-11	29	472 6084-01	23
471 8163-01	63	471 8284-38	49	471 9646-02	41	472 6147-00	51
471 8175-01	33	471 8311-00	31	471 9646-02	61	472 6173-01	35
471 8175-02	33	471 8317-01	51	471 9649-01	39	472 6195-01	51
471 8192-01	13	471 8320-01	21	471 9649-02	39	472 6498-27	29
471 8194-01	11	471 8320-05	23	471 9654-03	13	472 6582-02	35
471 8195-01	53	471 8322-03	17	471 9727-01	51	472 6756-01	63
471 8196-01	9	471 8327-01	31	471 9727-02	51	472 6760-01	43
471 8196-01	43	471 8340-12	51	471 9758-02	29	472 6761-01	33
471 8199-01	33	471 8340-22	7	471 9758-10	29	472 8268-02	43
471 8234-51	55	471 8340-22	43	471 9760-01	29	472 8268-03	43
471 8234-52	55	471 8340-26	25	471 9760-10	29	472 8714-01	33
471 8234-53	55	471 8340-26	27	471 9760-95	29	472 8717-01	13
471 8234-56	55	471 8341-03	15	471 9760-96	29	472 8722-01	11
471 8234-58	55	471 8341-11	33	471 9812-02	13	472 8722-01	51
471 8234-92	55	471 8341-13	9	471 9812-05	13	472 8723-01	7
471 8234-92	57	471 8341-19	51	471 9812-12	13	472 8724-02	13
471 8234-92	59	471 8341-22	51	471 9812-13	13	472 8725-01	31
471 8234-94	33	471 8341-24	11	471 9812-14	13	472 8728-01	31
471 8234-94	55	471 8341-24	35	471 9812-15	13	472 8729-01	31
471 8234-94	57	471 8341-46	7	471 9812-16	13	472 8734-01	31
471 8234-94	59	471 8342-07	39	471 9812-17	13	472 8746-03	11
471 8234-95	55	471 8342-23	7	472 5763-01	25	472 8754-01	51
471 8234-95	57	471 8342-23	15	472 5763-02	25	472 8754-02	11
471 8234-95	59	471 8345-13	31	472 5763-03	25	472 8754-02	51
471 8234-96	55	471 8346-01	53	472 5763-04	25	472 8754-03	43
471 8234-96	57	471 8346-01	63	472 5763-05	25	472 8754-04	43
471 8234-96	59	471 8346-02	9	472 5763-06	25	472 8754-10	11
471 8234-98	55	471 8356-02	17	472 5765-01	25	472 8755-21	31
471 8234-98	57	471 8454-07	9	472 5770-01	27	472 8759-01	7
471 8234-98	59	471 8502-14	19	472 6001-58	7	472 8759-01	33
471 8235-51	57	471 8502-14	21	472 6001-58	63	472 8761-01	11
471 8235-54	57	471 8624-01	35	472 6001-59	7	472 8761-01	33
471 8235-57	57	471 8628-52	19	472 6001-59	63	472 8762-01	31
471 8235-58	57	471 8641-01	9	472 6001-60	63	472 8769-01	7
471 8235-59	57	471 8641-01	11	472 6001-62	63	472 8772-01	51

Numerical index/Nummerregister

Art.No/Art.nr	Page/Sida	Art.No/Art.nr	Page/Sida	Art.No/Art.nr	Page/Sida	Art.No/Art.nr	Page/Sida
472 8773-01	9	472 9904-10	15	736 2840-51	11		
472 8778-01	13	472 9904-11	15	736 2840-51	33		
472 8779-01	13	472 9913-22	13	736 2840-51	51		
472 8786-01	31	472 9919-30*	37	736 2843-51	33		
472 8811-01	31	488 6565-00	41	736 2849-51	43		
472 8813-01	11	724 1226-01	37	736 2849-51	53		
472 8814-01	11	724 1295-01	51	736 2852-51	13		
472 8822-21	23	724 3291-42	13	741 1115-20	23		
472 8822-22	23	725 2331-51	37	741 2113-32	23		
472 8823-03	11	725 2366-61	13	744 3113-06	35		
472 8827-01	23	725 2374-51	11	762 3131-01	51		
472 8827-02	23	725 2455-51	15	762 7202-57	41		
472 8828-03	23	725 2459-51	11	762 7202-57	61		
472 8828-04	23	725 2461-51	17	762 9105-05	33		
472 8838-21	23	725 2466-51	11	763 1802-01	41		
472 8845-01	7	725 2501-51	11	763 1802-01	61		
472 8845-01	33	725 2515-51	11	767 5103-09	43		
472 8855-01	9	725 2515-71	11	877 5211-08	33		
472 8856-01	31	725 2542-51	21				
472 8857-01	31	727 6451-51	17				
472 8895-01	37	731 2310-01	37				
472 8906-01	23	731 2312-01	37				
472 8907-01	23	731 2312-01	51				
472 8912-01	11	731 2314-01	37				
472 8954-01	11	731 2314-42	9				
472 8957-02	13	731 2314-42	63				
472 8964-01	13	731 2316-01	11				
472 8964-02	13	732 2112-01	39				
472 8967-20	7	732 2112-01	51				
472 8967-22	7	732 2114-01	35				
472 8967-23	7	732 2114-92	13				
472 8967-24	7	732 2116-01	7				
472 8967-25	7	732 2118-01	11				
472 8967-26	7	732 2118-01	17				
472 8967-27	7	732 2118-01	19				
472 8967-28	7	732 2118-01	21				
472 8967-29	7	732 2118-01	23				
472 8977-01	23	732 2120-01	11				
472 8977-01	35	734 1164-01	11				
472 8978-01	23	734 1164-01	23				
472 9716-01	11	734 1173-01	11				
472 9736-01	11	734 1173-31	11				
472 9737-02	11	734 4977-01	17				
472 9738-01	11	735 2136-01	9				
472 9738-02	11	735 2146-01	51				
472 9739-01	11	735 2153-01	11				
472 9740-01	11	735 3128-00	21				
472 9768-01	19	735 3130-00	19				
472 9768-01	23	735 3130-00	23				
472 9772-21	19	735 3148-10	19				
472 9772-21	21	735 3148-10	21				
472 9775-01	31	735 5852-00	15				
472 9776-01	13	735 9304-01	19				
472 9777-01	13	735 9304-01	21				
472 9778-01	13	735 9304-01	23				
472 9902-16	23	736 2146-11	11				
472 9902-35	19	736 2816-51	33				
472 9902-35	21	736 2819-51	43				
472 9902-59	9	736 2825-51	33				
472 9902-59	63	736 2828-51	43				
472 9902-84	21	736 2831-51	33				
472 9902-85	21	736 2834-51	7				
472 9902-86	21	736 2834-51	33				
472 9903-76	17	736 2837-51	11				
472 9903-77	17	736 2837-51	33				
472 9904-09	15	736 2840-51	7				







**ELECTROLUX LAUNDRY SYSTEMS**

**ELECTROLUX LAUNDRY SYSTEMS SWEDEN AB**  
341 80 Ljungby, Sweden. Telephone +46 372 661 00. Telefax +46 372 133 90  
Internet: [www.electrolux-wascator.com](http://www.electrolux-wascator.com) E-mail: [els.info@electrolux.se](mailto:els.info@electrolux.se)