

Smart Control Heavy Duty Range -2 +10,-15 -24 C°

*1400 LT Refrigerated and freezer double full door
Armadi congelatori i refrigerati da 1400 LT con porta intera*

Code	Avv.	Model	Description	Ref	Page	Brand
110705	16	ADN220E	FV 2M TN PC ZAN.304 ELETTR.	A	2, 3, 6	Zanussi
726547	15	C14RE2F	FV 2M TN PC ELUX.304 ELETTR.	B	2, 3, 6	Electrolux
728485	19	E14N0E2C	FV 2M TN PC ALPEN 304 ELETTR.	C	2, 3, 6	Alpeninox
110706	14	ADF220E	FV 2M BT PC ZAN.304 ELETTR.	D	2, 4, 6	Zanussi
726548	13	C14FE2F	FV 2M BT PC ELUX.304 ELETTR.	E	2, 4, 6	Electrolux
728486	20	E14C0E2C	FV 2M BT PC ALPEN 304 ELETTR.	F	2, 4, 6	Alpeninox
726371	05	RH14RE2FUS	FV 2M TN PC ELUX.304 ELETTR. .120/60/USA	G	2, 3, 6	Electrolux
726372	05	RH14FE2FUS	FV 2M BT PC ELUX.304 ELETTR. .120/60/USA	H	2, 4, 6	Electrolux
726493	11	RH14RE2FS	2-DOOR REFR.1400L -2+10°-ECA-SMART	I	2, 3, 6	Electrolux
110093	10	ADN220ES	2-DOOR DIG.REF.1400L -2+10°-ECA-ACTIVE	L	2, 3, 6	Electrolux
726598	10	RH14RE2FEU	2DOOR REF.1400L-2+10°SMART-E.SAVING-US	M	2, 3, 6	Electrolux
726599	10	RH14FE2FEU	2-DR FREEZER 1400L -24-15°SMART-E.SAV-US	N	2, 4, 6	Electrolux
726679	10	RH14RE4HU	4 ½-DOOR REFRIGER. 1400L -2+10° SMART-US	O	2, 3, 6	Electrolux
726680	10	RH14FE4HU	4 ½-DOOR FREEZER 1400LT -24-15° SMART-US	P	2, 3, 6	Electrolux
728503	07	E14N0E2CE	2-DOOR DIG.REFR.(ECA)1400L -2+10°C A304	T	2, 3, 6	Alpeninox
728508	06	E14F0E2CE	2-DR DIG.FREEZER(ECA)1400L -15-24° A304	Q	2, 4, 6	Alpeninox
726495	10	RH14FE2FS	2-DOOR FREEZER 1400L -24-15°-ECA-SMART	R	2, 4, 6	Electrolux
110095	08	ADF220ES	2DOOR DIG.FREEZ.1400L -24-15°-ECA-ACTIVE	S	2, 4, 6	Zanussi
727013	03	RH14R2FERU	2-DOOR REFR.1400L -2+10° SMART-REMOTE-US	U	2, 5, 6	Electrolux
727014	03	RH14F2FERU	2-DOOR FREEZ.1400L -24-15° SMART-REMOTE-US	V	2, 5, 6	Electrolux
727022	03	RH14RE4HRU	4 ½-DOOR REFR. 1400L -2+10° SMART-REM-US	Z	2, 5, 6	Electrolux
727023		RH14FE4HRU	4 ½-DOOR FREEZ.1400T -24-15°SMART-REM-US	X	2, 5, 6	Electrolux

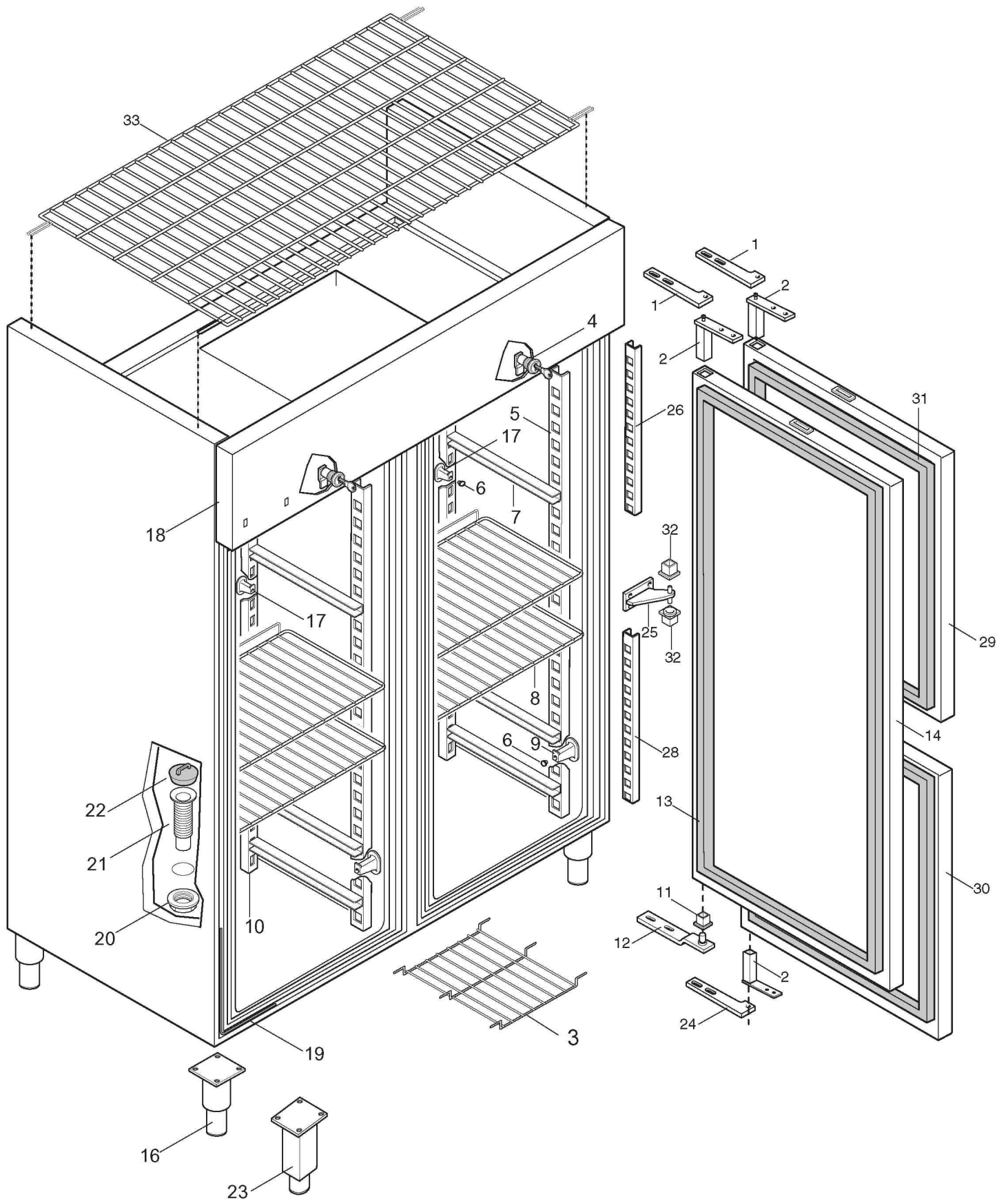
Note:

Last update (29/12/2008) with update probes from serial N°84000001

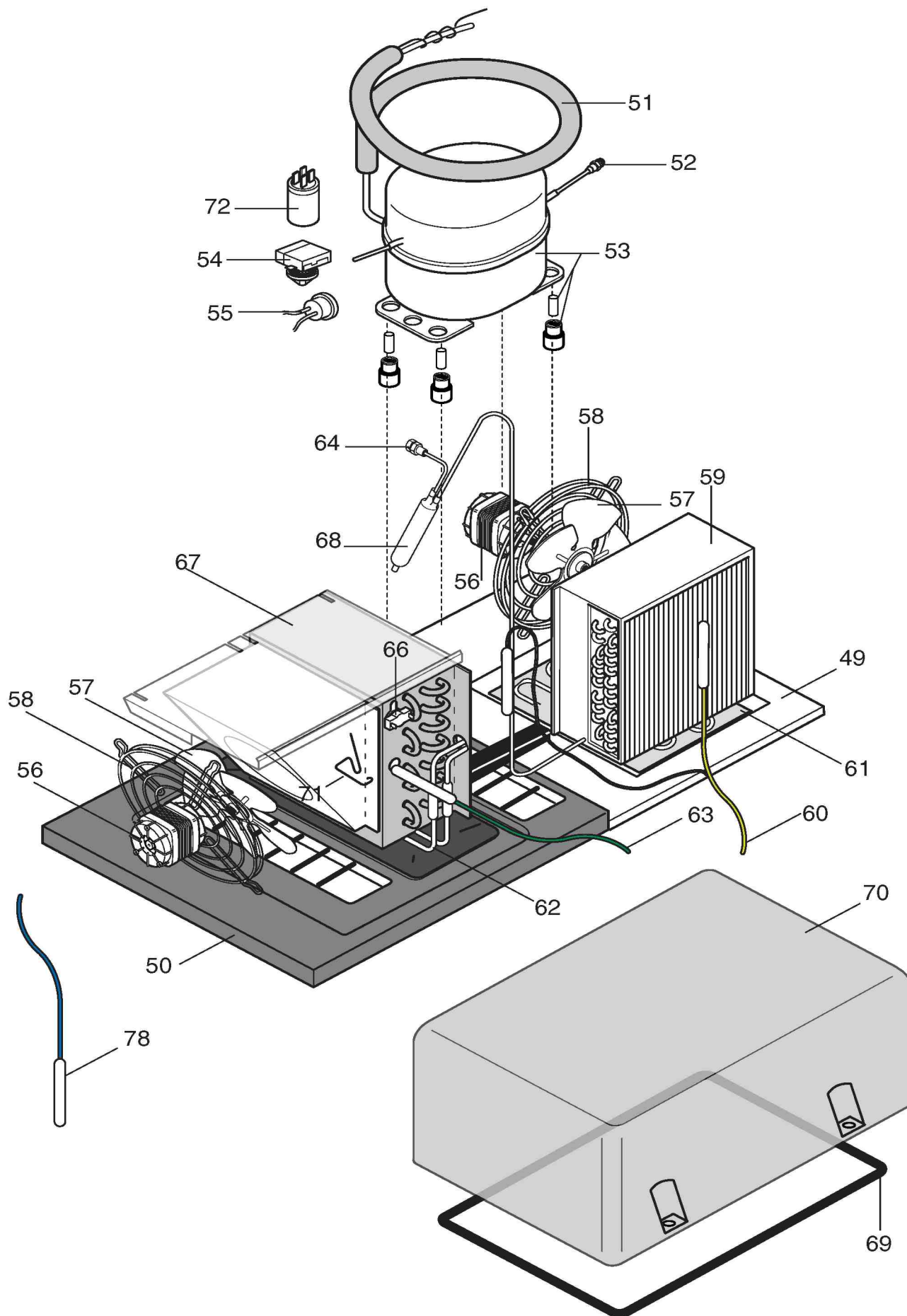
This document is available until to serial N°932000.. to Europe models and from serial N°00200.. from USA models.

Pag.	Index
2	Cabinet and door
3	Cooling unit assembly +2+10 C°
4	Cooling unit assembly -15-24 C°
5	Remote Cooling unit assembly
6	Control panel
7,8,9	Spare parts list

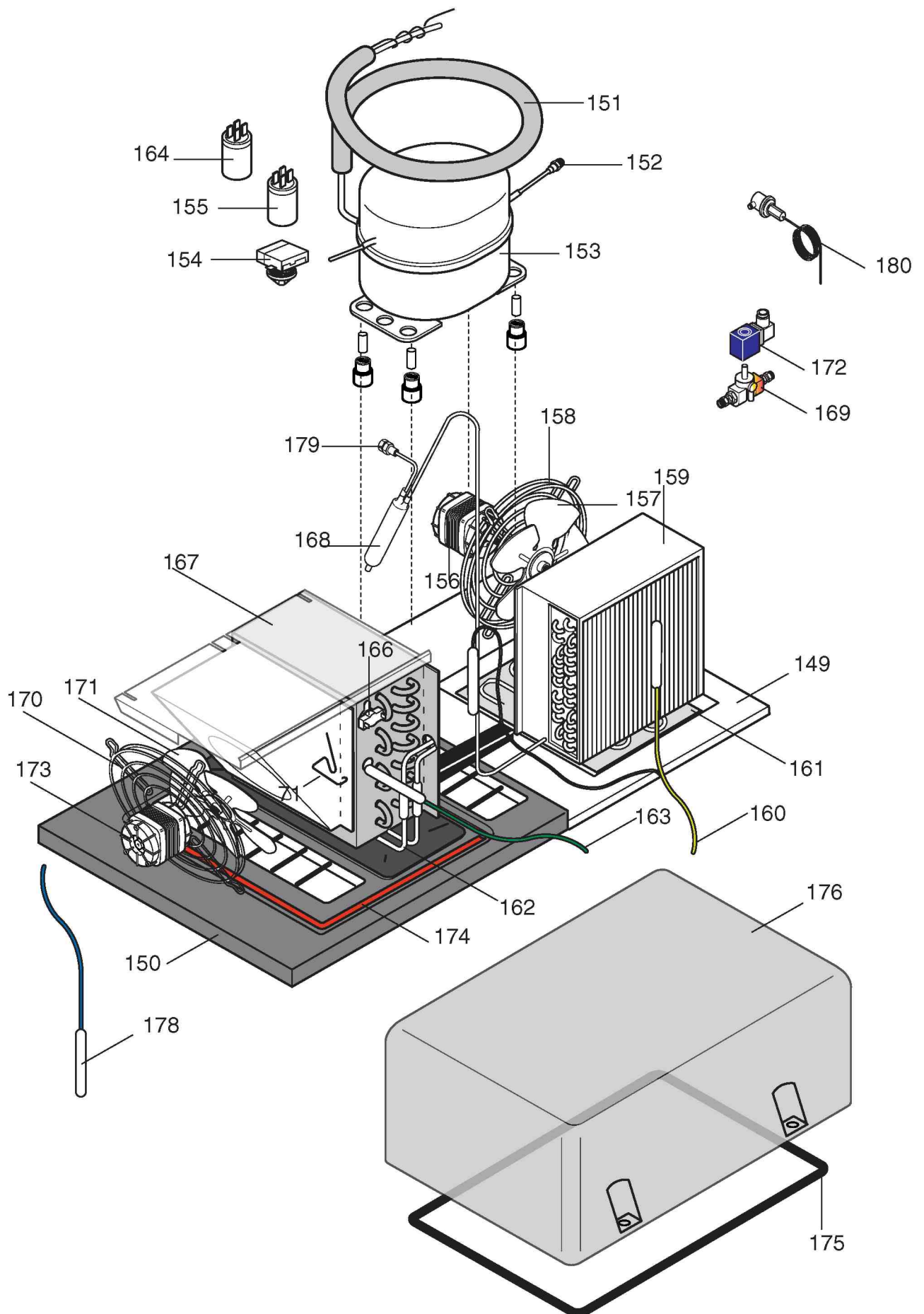
Indice
Armadio e porta
Gruppo refrigerante +2+10 C°
Gruppo refrigerante -15-24 C°
Gruppo refrigerante remoto
Pannello comandi
Listaricambi



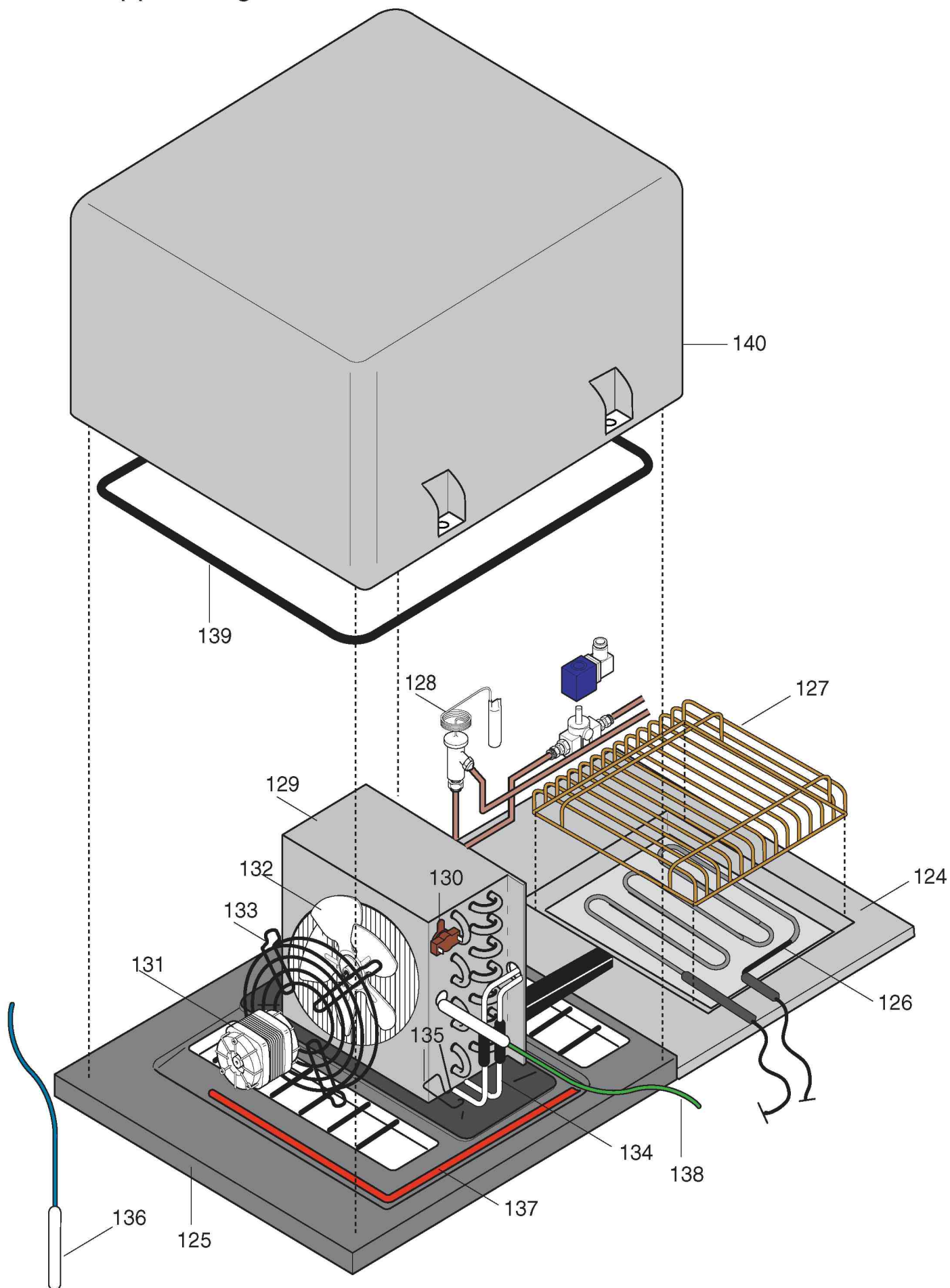
Cooling unit assembly -2 +10 °C
Gruppo refrigerante -2 +10 °C

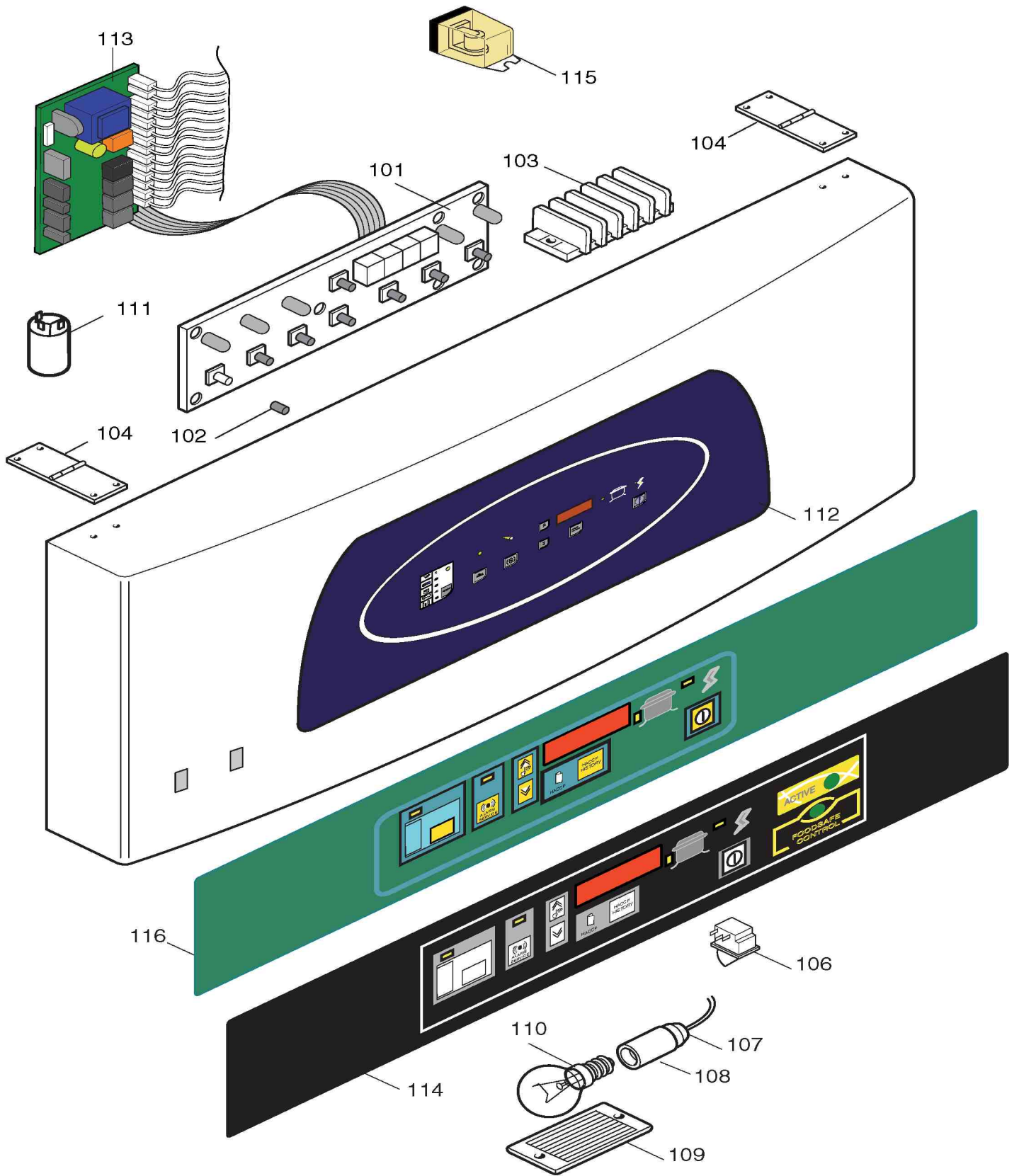


Cooling unit assembly -15 -24 °C
 Gruppo refrigerante -15 -24 °C



Cooling unit assembly remote
Gruppo refrigerante remoto





Smart Control Heavy Duty Range -2 +10,-15 -24 C°

1400 LT Refrigerated and Freezer 220/240 50 hz

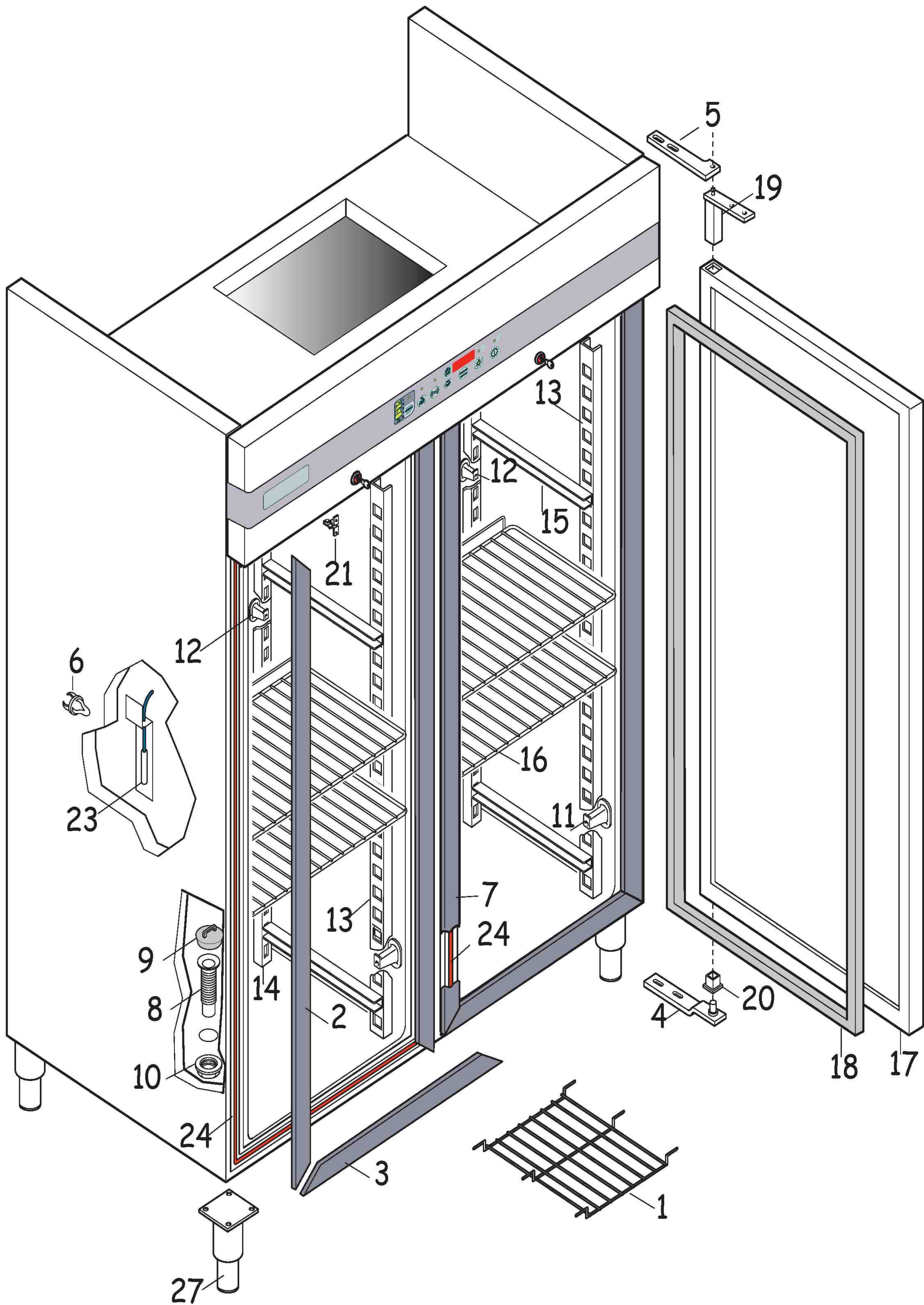
Note:

this document is available from serial N° 0030000..

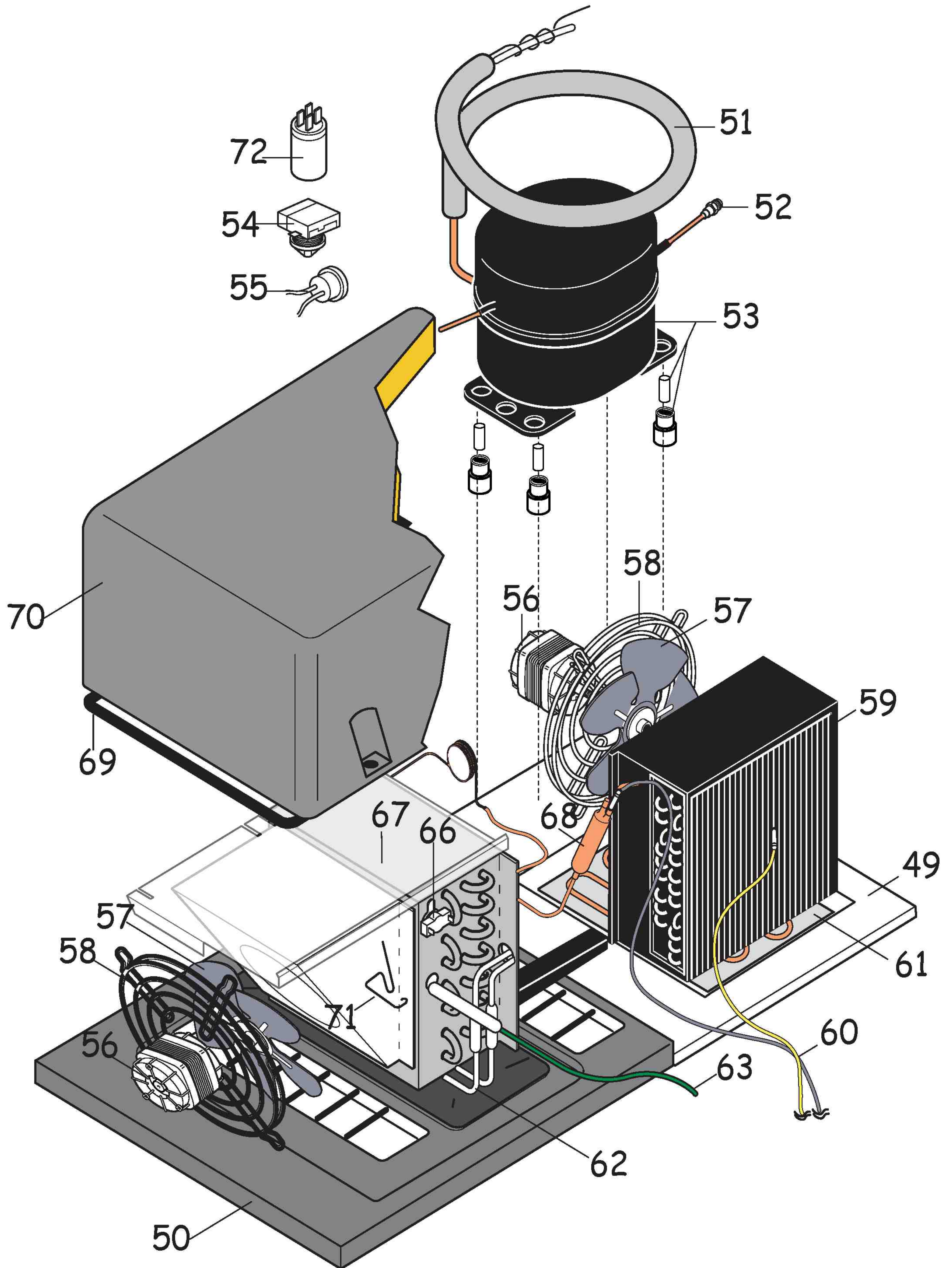
Code	Avv. Model	Description	Ref	Page	Brand	
110093	13/13	ADN220ES	2-DOOR DIG.REFRIGER.1400L -2/+10°-ACTIVE	a	2, 3, 6	Zanussi
110095	13/13	ADF220ES	2-DOOR DIG.REFRIGER.1400L -22/-15°-ACTIVE	b	2, 3, 6	Zanussi
728503	10/10	E14N0E2CE	2-DOOR DIGITAL REFRIG.1400L -2+10°C A304	c	2, 3, 6	Alpeninox
728508	11/11	E14F0E2CE	2-DOOR DIGITAL REFRIG.1400L -22/-15°C A304	d	2, 3, 6	Alpeninox

Pag.	Index
2	Cabinet and door
3	Cooling unit assembly +2+10 C°
4	Cooling unit assembly -15-24 C°
5	Control panel
6,7,8	Spare parts list

Indice
Armadio e porta
Gruppo refrigerante +2+10 C°
Gruppo refrigerante -15-24 C°
Pannello comandi
Lista ricambi



Cooling unit assembly -2 +10 °C
Gruppo refrigerante -2 +10 °C



Cooling unit assembly -24 -15 °C
 Gruppo refrigerante -24 -15 °C

181

