

**CUCINA ELETTRICA TOP  
ELECTRIC COOKER TOP**

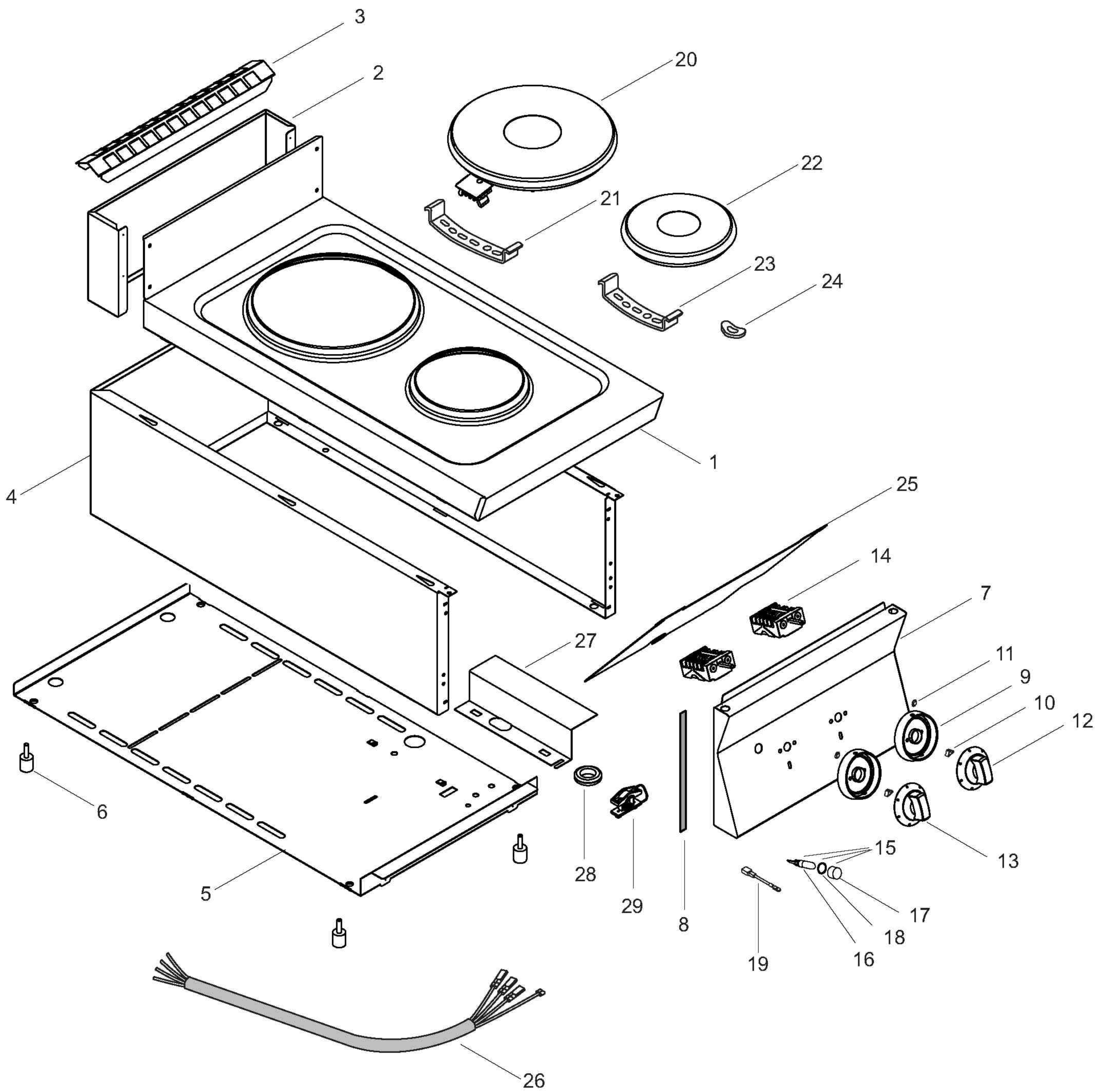
---

<b>PNC</b>	<b>Model</b>	<b>Ref.</b>	<b>Page</b>	<b>Note</b>
162302	BC/E1	-	1...3	2 HOT PLATES ELECTRIC BOILING TOP 350 MM

Pag. 2  
3

**Indice**  
Mobile e componenti  
Lista ricambi

**Index**  
Structure and components  
Spare parts list



CUCINA ELETTRICA TOP  
ELECTRIC COOKER TOP

Da Ser. Nr. / From ser. nr.: 917.....

Page: 2

Ed.2009 04

Doc. Nr.:

**597853000**

(2- 06010)