

**FORNO CONVEZIONE-VAPORE ELETTRICO 20GN1/1, 20GN2/1 Liv.6
20GN1/1, 20GN2/1 Lev.6, ELECTRIC STEAM - CONVECTION OVEN**

PNC	Model	Ref.	Page	Notes
240 187	FCV/E201/1 L6	a	1-2-3-4	Zanussi Level/livello 6
240 189	FCV/E202/1 L6	b	1-2-3-4	Zanussi Level/livello 6
260 787	ECV/E201/1 T6	c	1-2-3-4	Electrolux Level/livello 6
260 789	ECV/E202/1 T6	d	1-2-3-4	Electrolux Level/livello 6
775 087	ZCV/E201/1 T6	e	1-2-3-4	Zoppas Level/livello 6
775 089	ZCV/E202/1 T6	f	1-2-3-4	Zoppas Level/livello 6
697 887	ACV/E201/1 C6	g	1-2-3-4	Alpeninox Level/livello 6
697 889	ACV/E202/1 C6	h	1-2-3-4	Alpeninox Level/livello 6

Indice

Pag. 1	Cella forno
2	Ass.porta e struttura carellata
3	Boiler e componenti
4	Componenti elettrici
5-9	Lista ricambi

Index

Oven cabinet
Door ass.ly and slide-in-rack
Boiler and components
Electrical components
Spare parts list

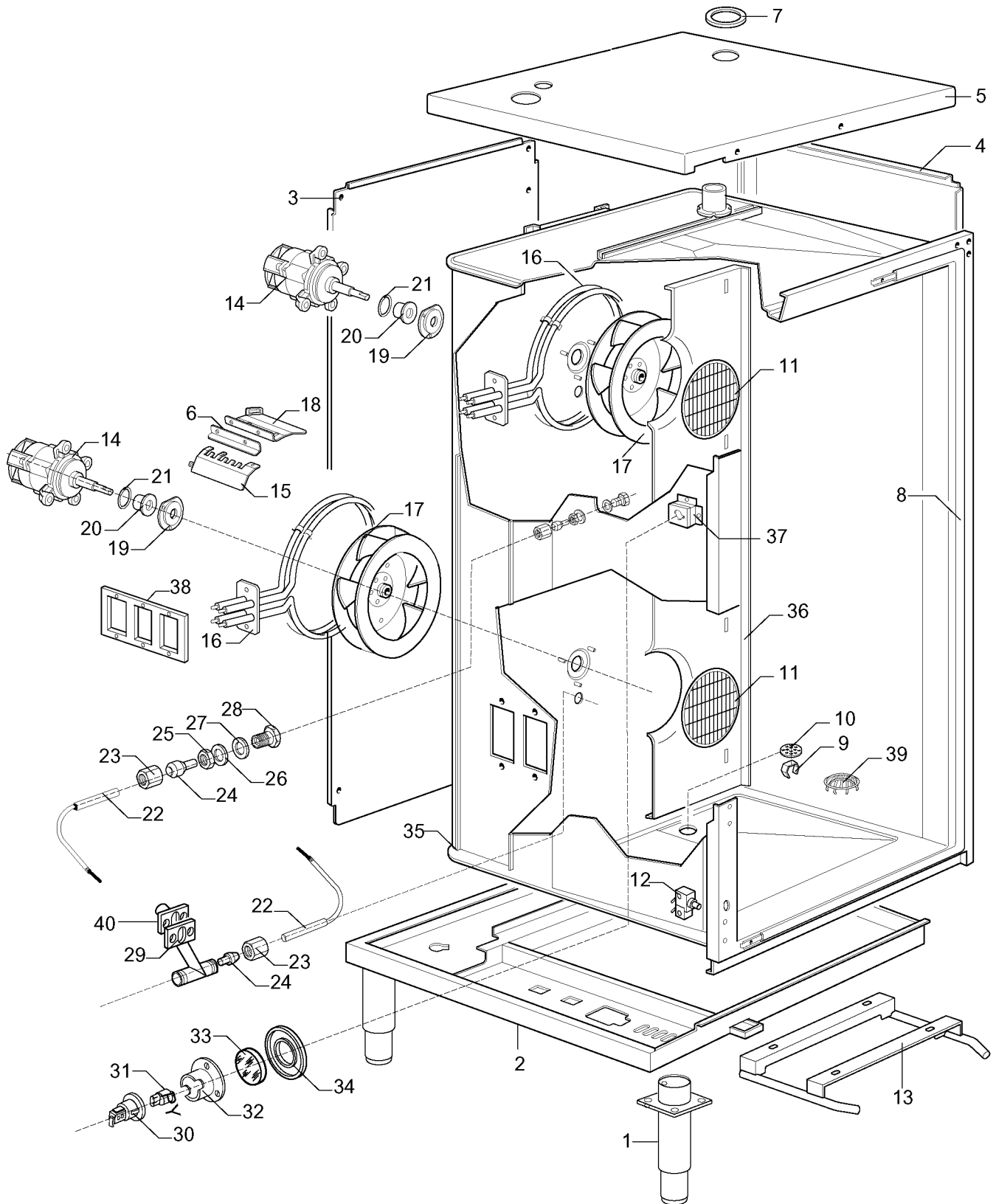
Marchio / Brand: Z-E-P-A
Paese / Country: Tutti / All
Factory code: 9731

Da Ser. Nr. / From ser. nr.: 835.....

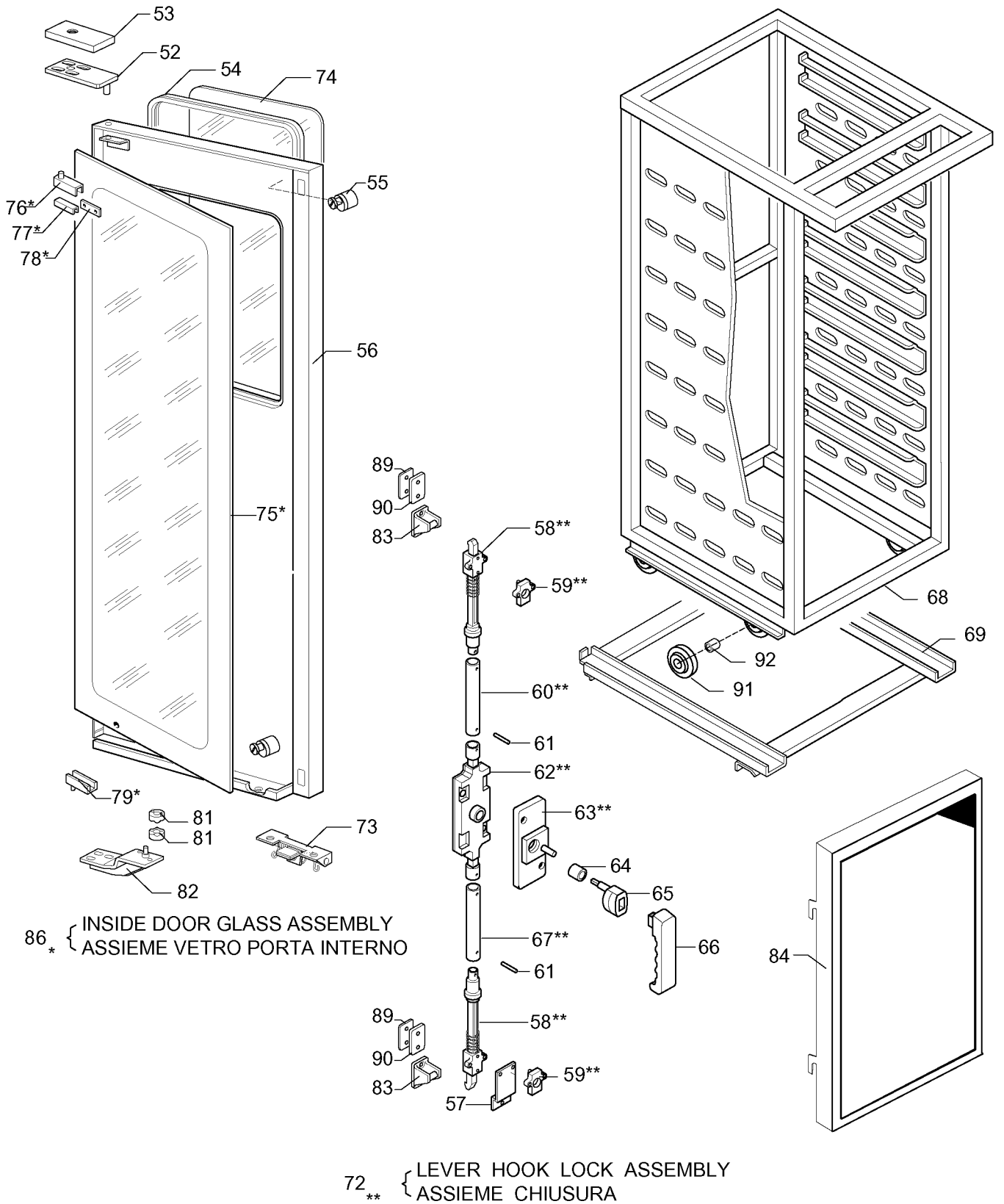
Ed. 02 01

Doc. Nr.:

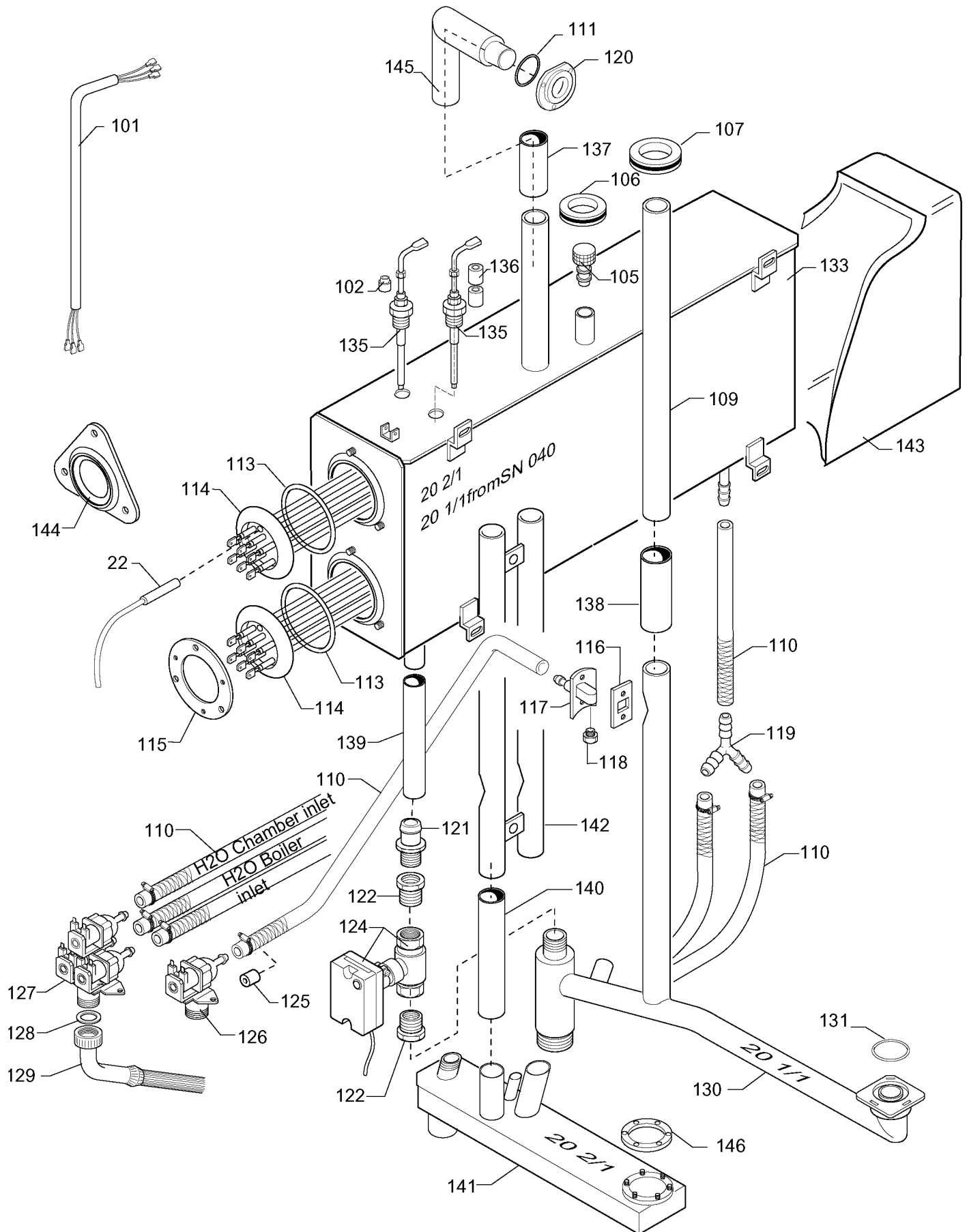
3 - 11 018



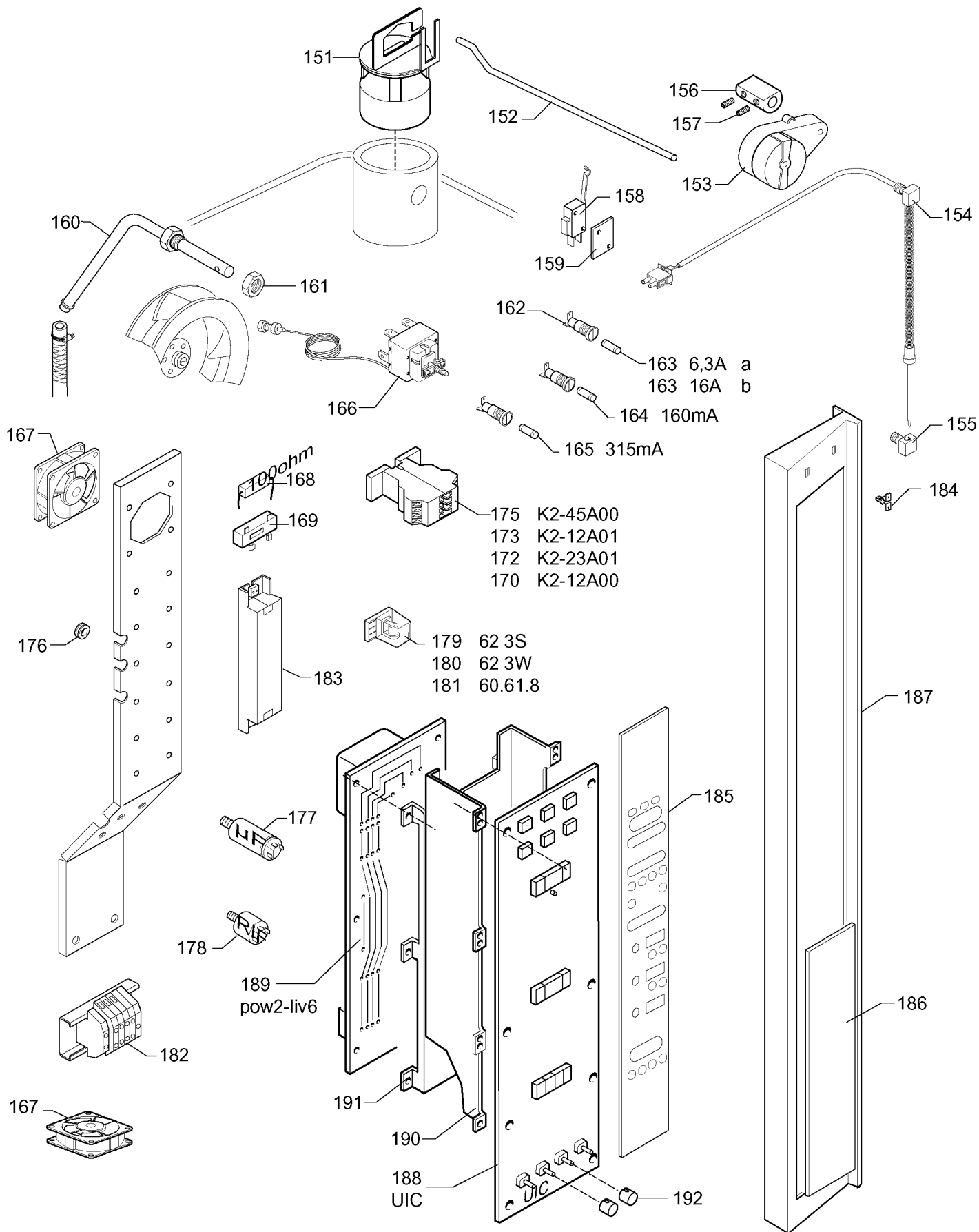
FORNO CONVEZIONE-VAPORE ELETTRICO 20GN1/1, 20GN2/1 Liv. 6
 20GN1/1, 20GN2/1 Lev. 6, ELECTRIC STEAM - CONVECTION OVEN



FORNO CONVEZIONE-VAPORE ELETTRICO 20GN1/1, 20GN2/1 Liv. 6
 20GN1/1, 20GN2/1 Lev. 6, ELECTRIC STEAM - CONVECTION OVEN



FORNO CONVEZIONE-VAPORE ELETTRICO 20GN1/1, 20GN2/1 Liv. 6
 20GN1/1, 20GN2/1 Lev. 6, ELECTRIC STEAM - CONVECTION OVEN



FORNO CONVEZIONE-VAPORE ELETTRICO 20GN1/1, 20GN2/1 Liv. 6
 20GN1/1, 20GN2/1 Lev. 6, ELECTRIC STEAM - CONVECTION OVEN