

Ovens PlatformViale Treviso, 15
33170 Pordenone - Italy
Fax: +39 0434-380577**10 GN 1/1 ELECTRIC STEAM - CONVECTION OVEN**
FORNO CONVEZIONE- VAPORE ELETTRICO 10 GN 1/1

PNC	Model	Ref.	Page	Notes
237 002	FCZ101EAA	a	2-3-4-5-6	Level/Livello A
238 002	FCZ101EBA	b	2-3-4-5-6	Level/Livello B
237 022	FCZ101EAN	c	2-3-4-5-6	Level/Livello A
238 022	FCZ101EBN	d	2-3-4-5-6	Level/Livello B
237 012	FCZ101EAH	g	2-3-4-5-6	Level/Livello A
238 012	FCZ101EBH	h	2-3-4-5-6	Level/Livello B
239 002	FCZ101ECA	i	2-3-4-5-6	Level/Livello C
239 012	FCZ101ECH	l	2-3-4-5-6	Level/Livello C
239 022	FCZ101ECN	m	2-3-4-5-6	Level/Livello C

	Index
Pag. 2	Oven cabinet and door
3	Water system
4	Boiler
5	Electrical components
6	Tray support
7-10	Spare part list

	Indice
	Cella forno e porta
	Impianto idraulico
	Boiler
	Componenti elettrici
	Struttura portateglie
	Lista ricambi

Brand / Marchio : ZANUSSI
Factory code: 9PDD

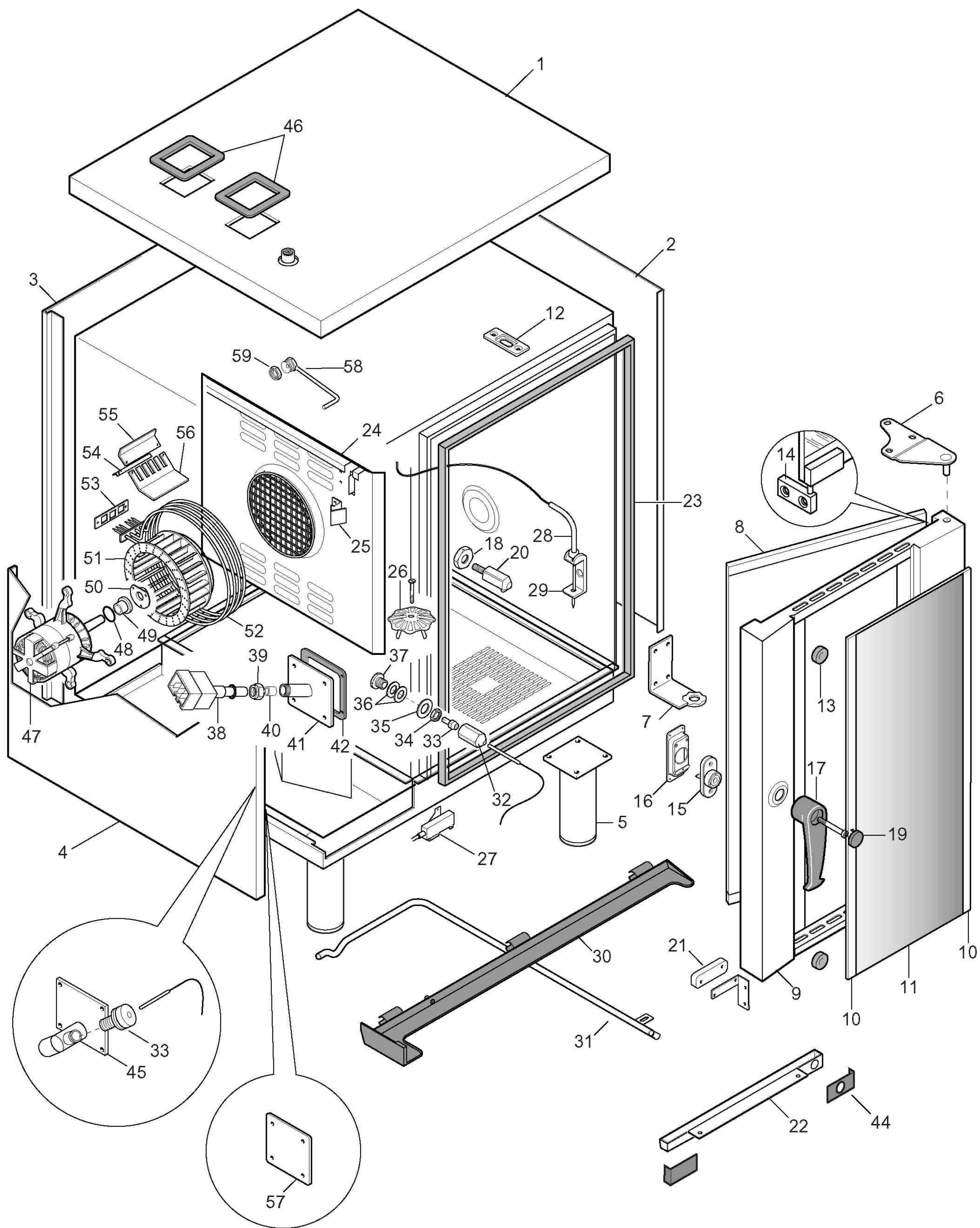
OV / DOC

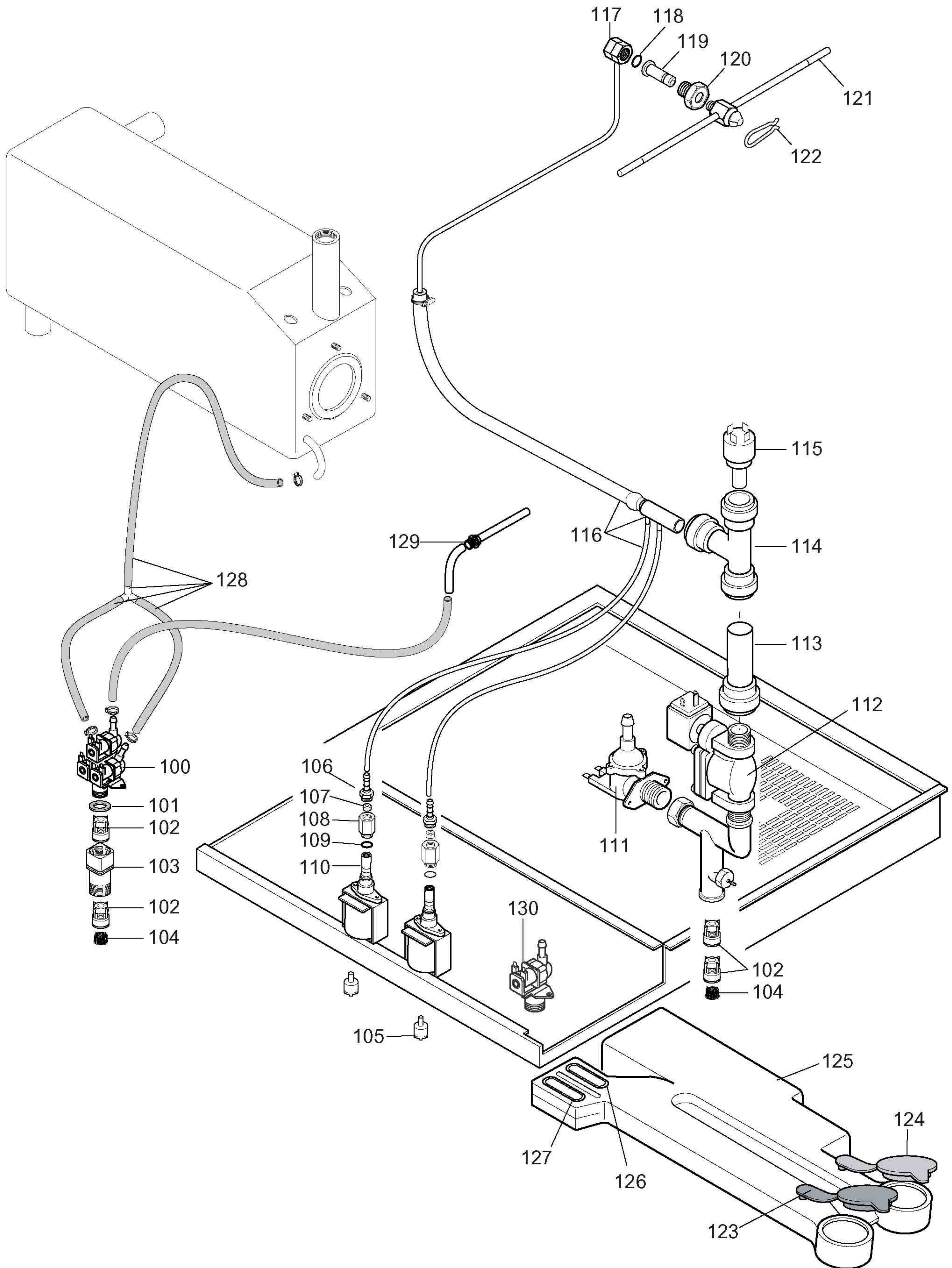
From ser. nr. / Da Ser. Nr.: ...

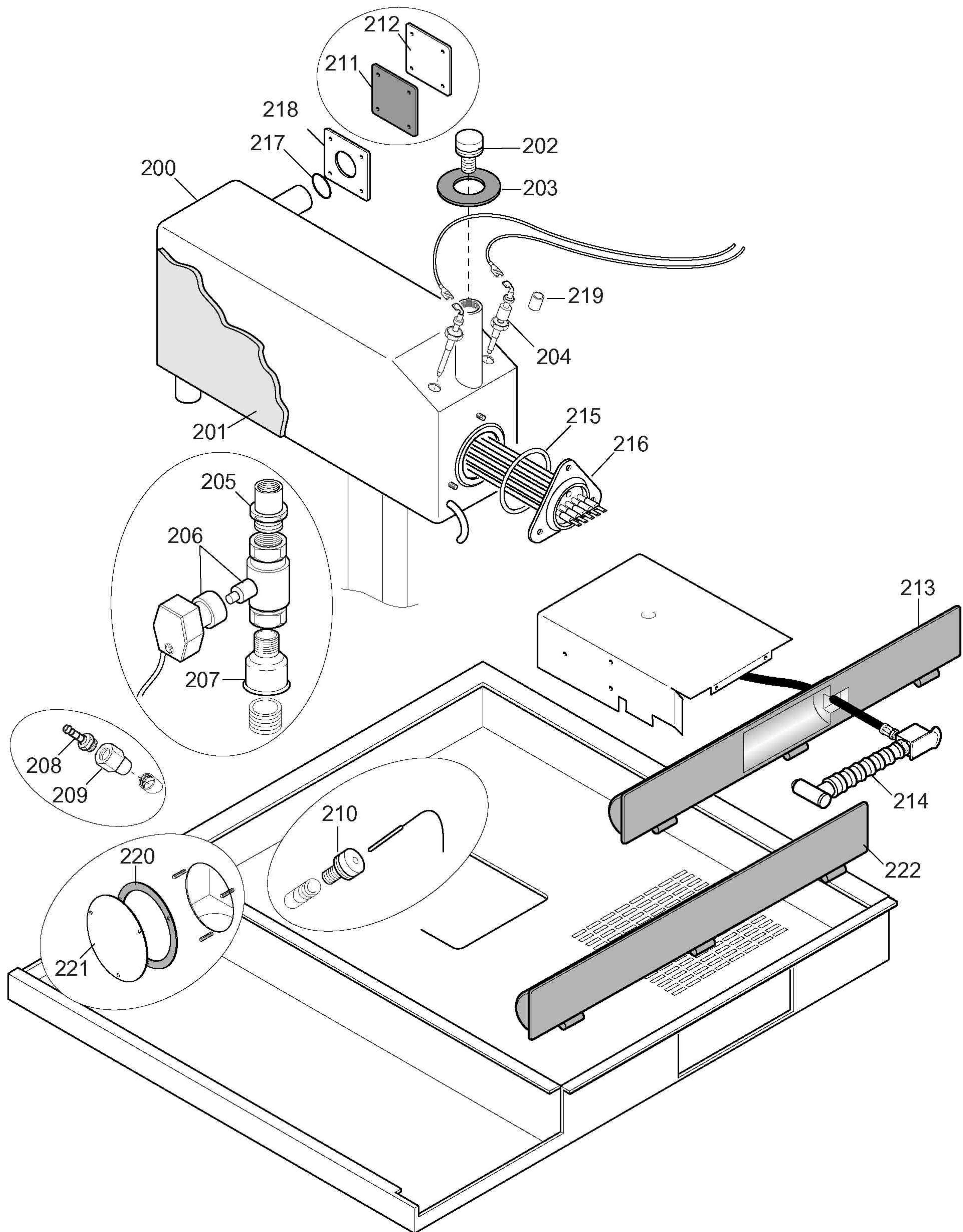
Page: 1 Ed. 2008-01

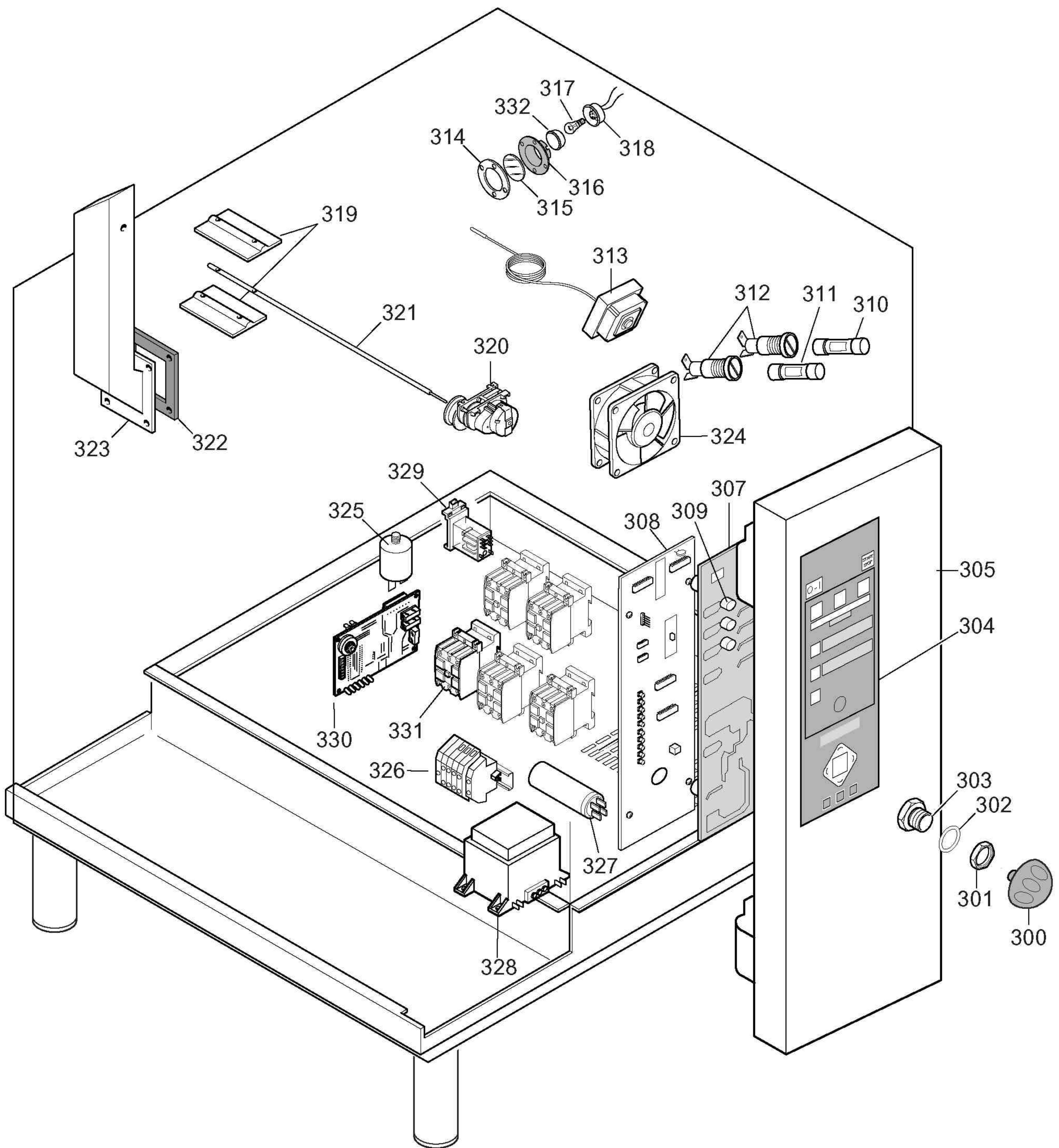
Doc. Nr.:

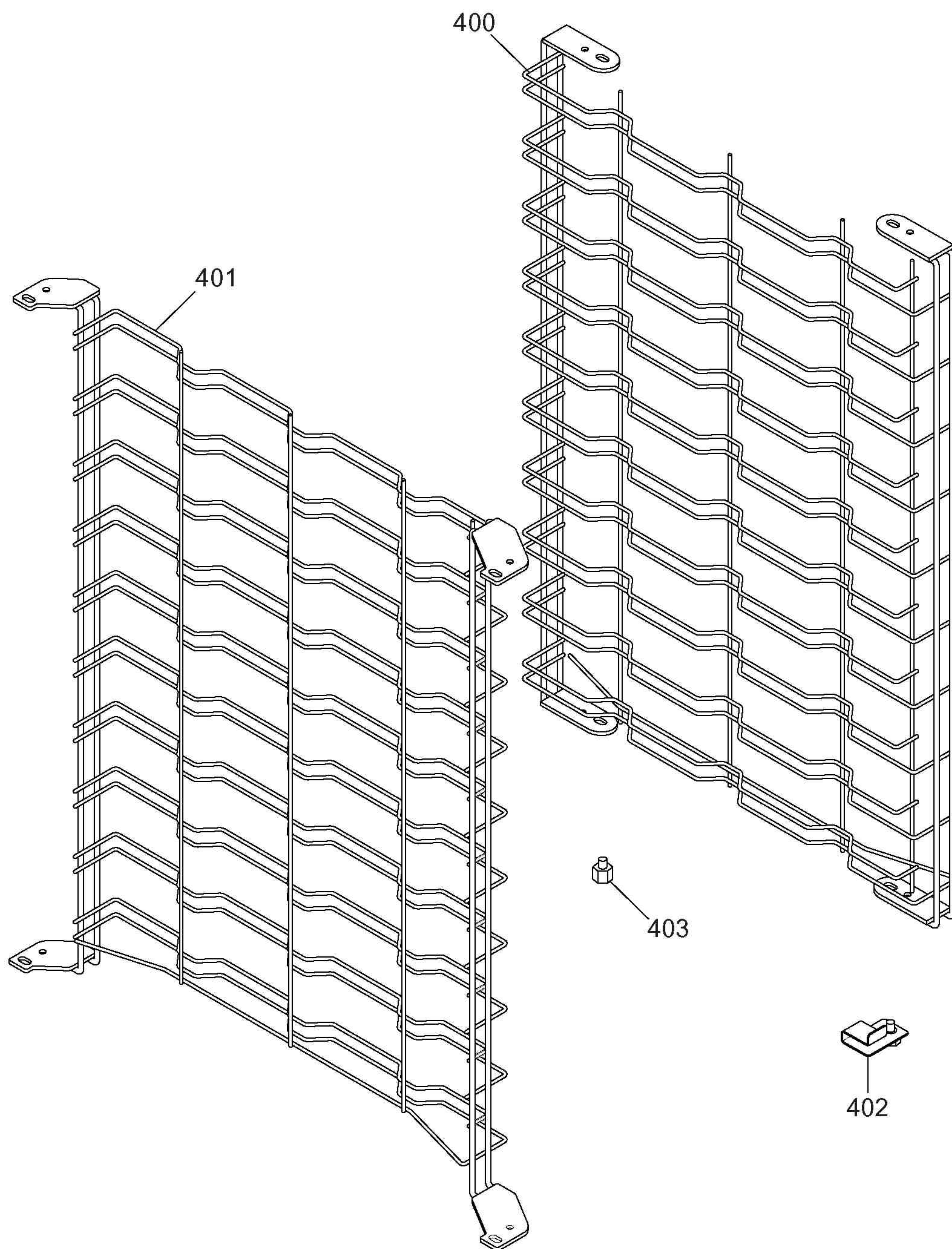
3 - 13 302









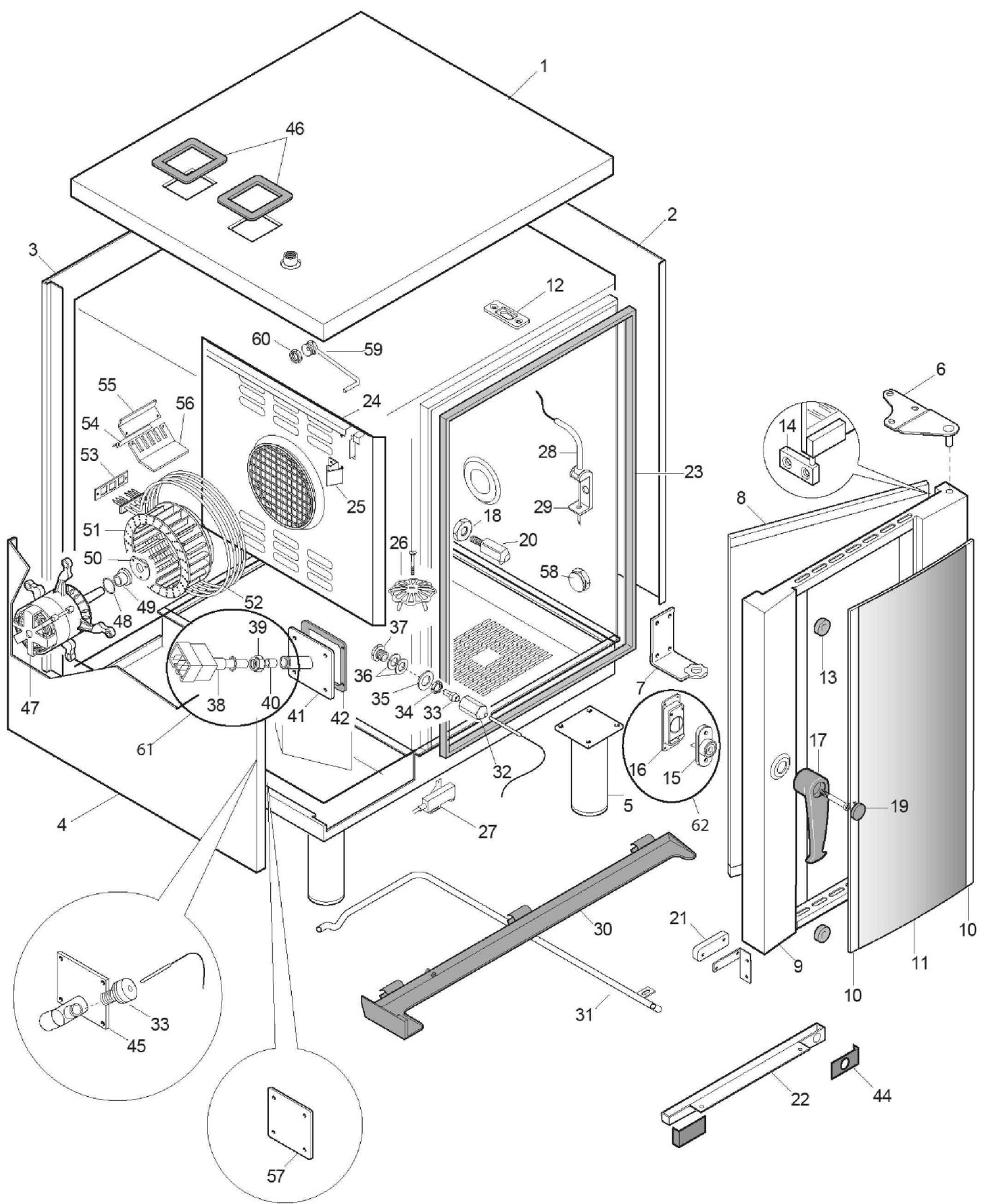


10 GN 1/1 ELECTRIC CONVECTION / STEAM OVEN
FORNO CONVEZIONE / VAPORE ELETTRICO 10 GN 1/1

PNC	Model	Ref	Group	Level	Page	Notes
267002	AOS101EAA1	a	AOS	Level A	2...11	400V 3N 50Hz
267012	AOS101EAH1	b	AOS	Level A	2...11	400V 3N 50Hz P80
267022	AOS101EAN1	c	AOS	Level A	2...11	230V 3N
267032	AOS101EAC1	d	AOS	Level A	2...11	200V 3 60Hz Japan
267042	AOS101EAE1	e	AOS	Level A	2...11	440V 3 Marine
267052	AOS101EAF1	f	AOS	Level A	2...11	400V 3 Marine
267072	AOS101EAQ1	g	AOS	Level A	2...11	400V 3N Nandos
267082	AOS101EAM1	h	AOS	Level A	2...11	208V 3N USA
267092	AOS101EAB1	i	AOS	Level A	2...11	240V 3N USA
267102	AOS101EAK1	l	AOS	Level A	2...11	400V 3N UK
267112	AOS101EAT1	m	AOS	Level A	2...11	400V 3N China
268002	AOS101EBA1	n	AOS	Level B	2...11	400V 3N
268012	AOS101EBH1	o	AOS	Level B	2...11	400V 3N 50Hz P80
268022	AOS101EBN1	p	AOS	Level B	2...11	230V 3N
268032	AOS101EBC1	q	AOS	Level B	2...11	200V 3 60Hz Japan
268042	AOS101EBE1	r	AOS	Level B	2...11	440V 3 Marine
268052	AOS101EBF1	s	AOS	Level B	2...11	400V 3 Marine
268102	AOS101EBH1	t	AOS	Level B	2...11	400V 3N UK
269002	AOS101ECA1	u	AOS	Level C	2...11	400V 3N 50Hz
269012	AOS101ECH1	v	AOS	Level C	2...11	400V 3N 50Hz P80
269022	AOS101ECN1	z	AOS	Level C	2...11	230V 3N
237002	FCZ101EAA	A	FCZ	Level A	2...11	400V 3N 50Hz
237012	FCZ101EAH	B	FCZ	Level A	2...11	400V 3N 50Hz P80
237022	FCZ101EAN	C	FCZ	Level A	2...11	230V 3N
238002	FCZ101EBA	D	FCZ	Level B	2...11	400V 3N 50Hz
238012	FCZ101EBH	E	FCZ	Level B	2...11	400V 3N 50Hz P80
238022	FCZ101EBN	F	FCZ	Level B	2...11	230V 3N
238032	FCZ101EBC	G	FCZ	Level B	2...11	200V 3 60Hz Japan
239002	FCZ101ECA	H	FCZ	Level C	2...11	400V 3N 50Hz
239012	FCZ101ECH	I	FCZ	Level C	2...11	400V 3N 50Hz P80
239022	FCZ101ECA	L	FCZ	Level C	2...11	230V 3N

Pag	Index	Indice	Note
2	Oven cabinet and door.	Cella forno e porta	
3	Water system	Impianto idraulico	
4	Boiler	Boiler	
5	Electrical components	Componenti elettrici	
6	Accessories	Accessori	
7...10	Spare parts list	Lista ricambi	

Brand/Marchio: All
Factory code: 9PDD



[

