

**Modular Platform**

Viale Treviso, 15  
33170 Pordenone - Italy  
Fax: +39 0434-380577

**PENTOLE GAS DIRETTE 60Lt N700**  
**GAS BOILING PAN DIRECT HEATING 60Lt N700**

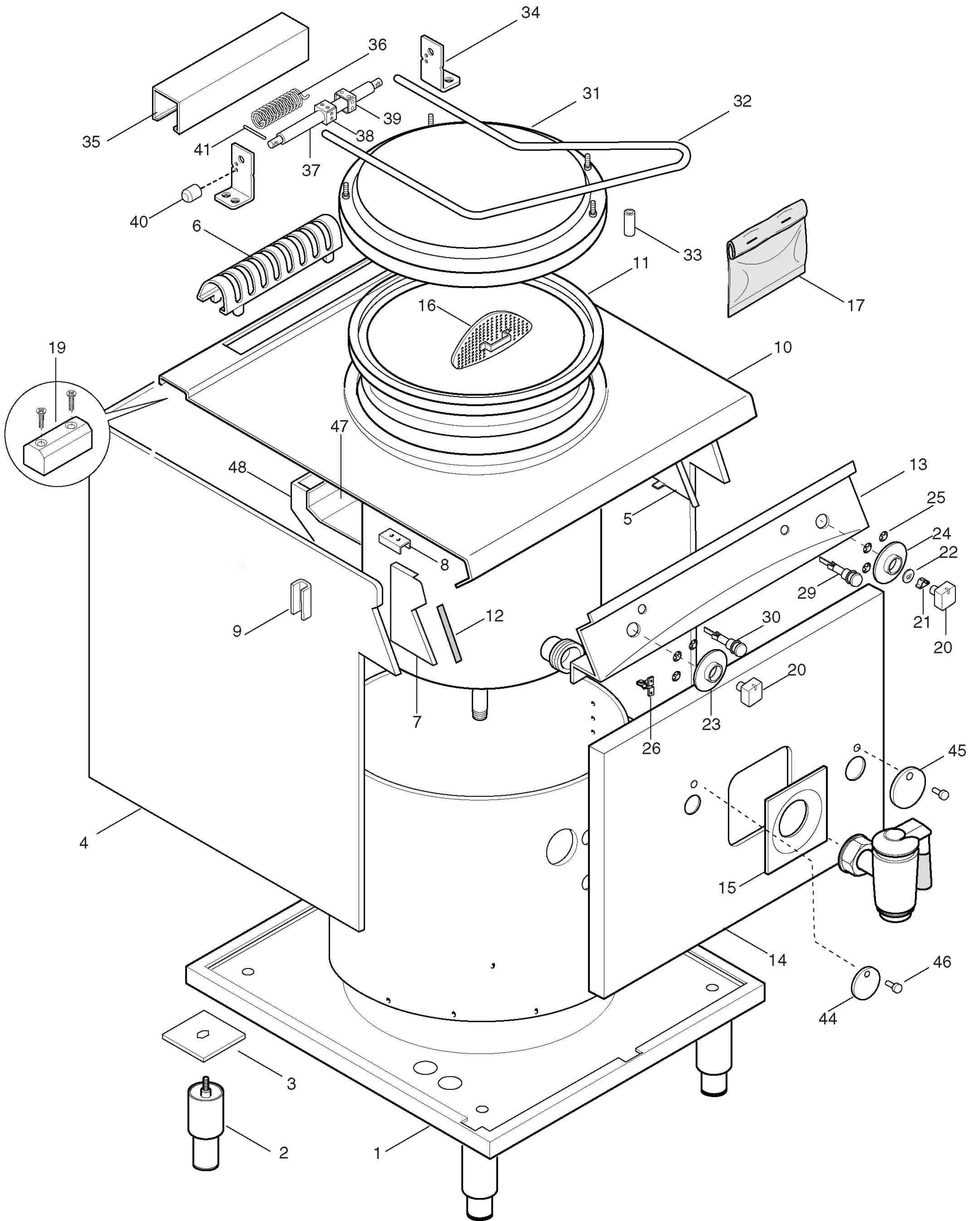
<b>PNC</b>	<b>Model</b>	<b>Ref.</b>	<b>Page</b>	<b>Notes</b>
178134	PPD/G260	-	1-6	60Lt Gas Boilong Pan Direct Heating

Pag. 1 - 2 - 3  
Pag. 4 - 5 - 6

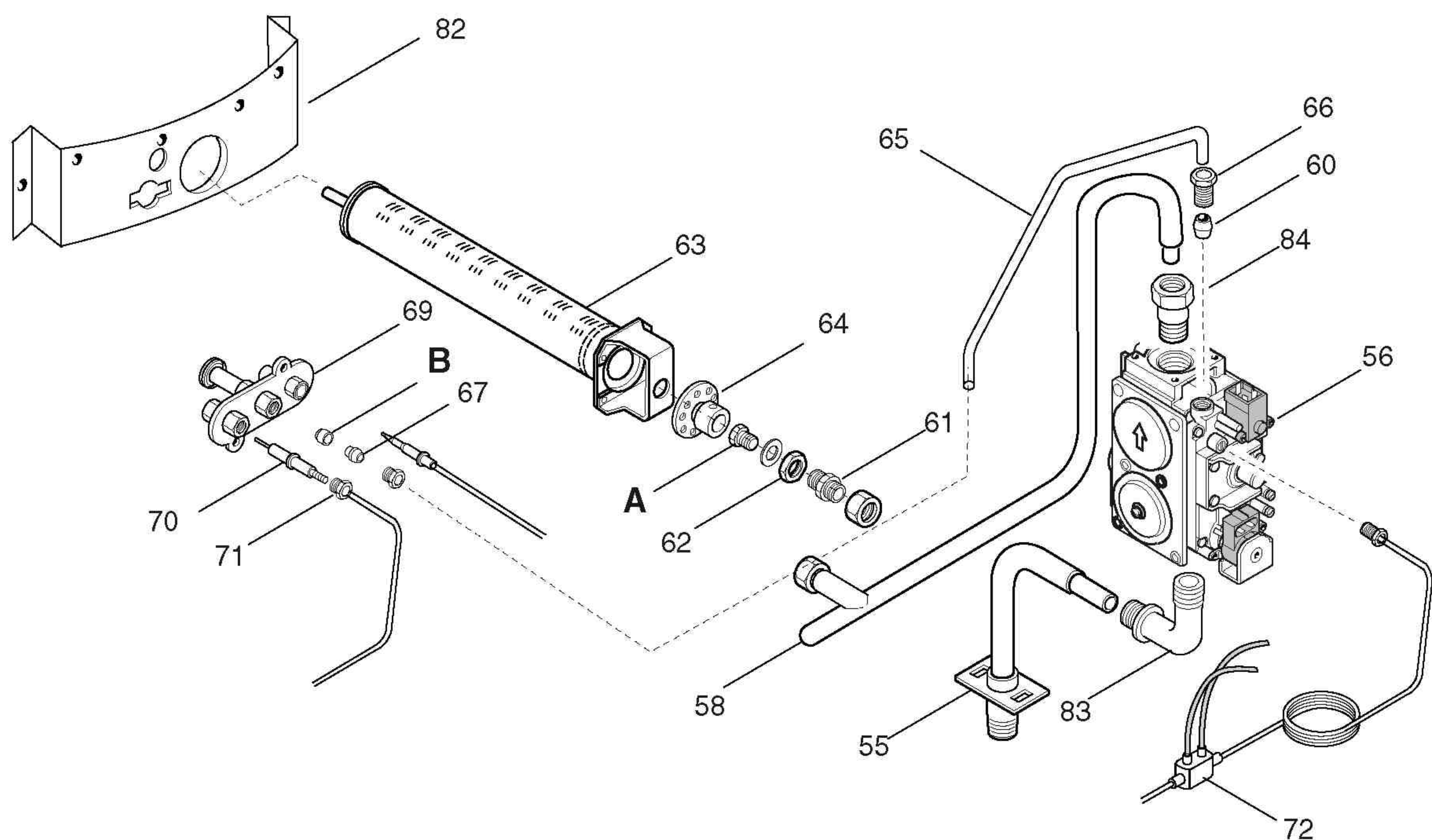
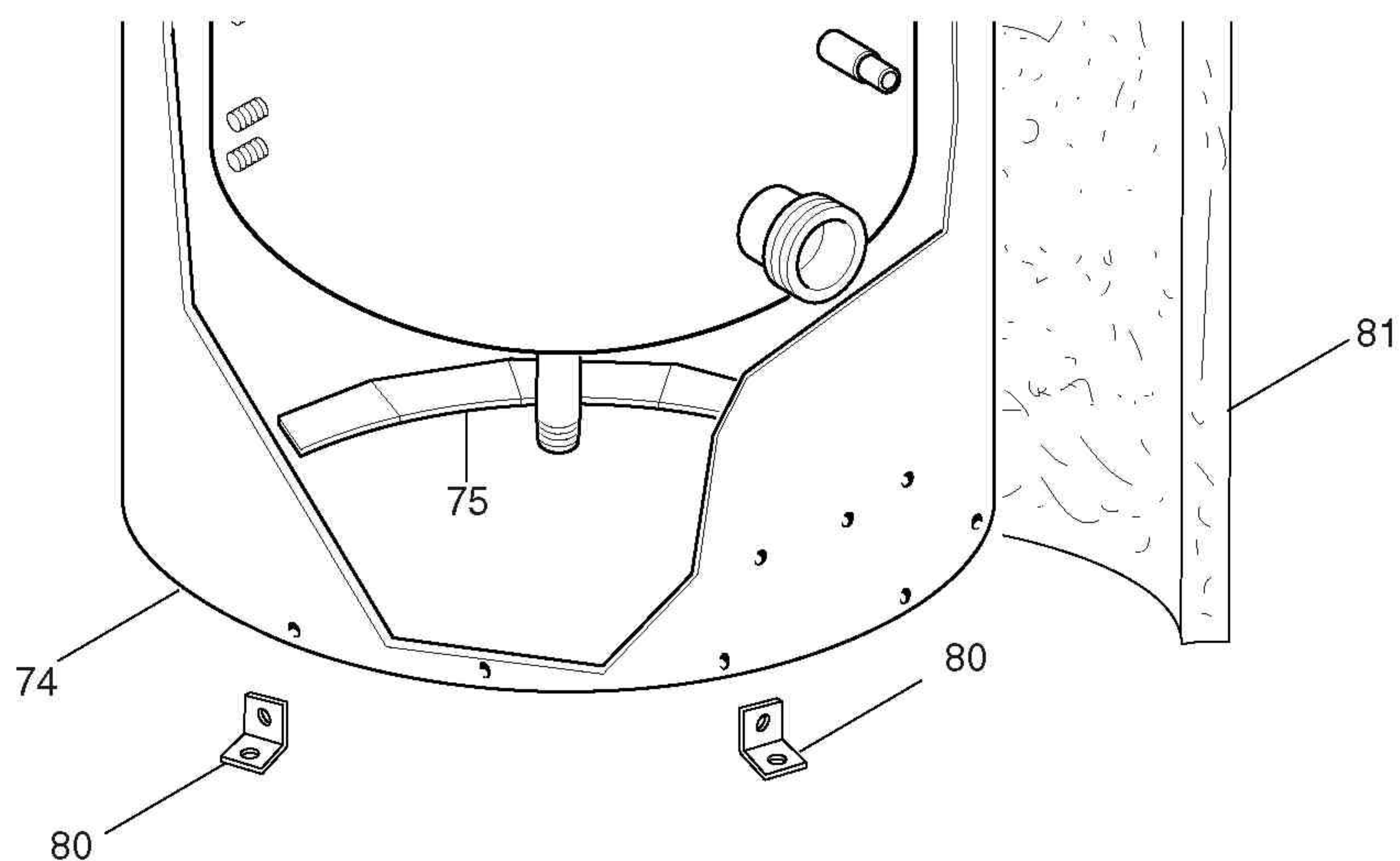
**Index**  
Frame and components  
Spare parts list

**Indice**  
Struttura e componenti  
Lista ricambi

**Brand / Marchio :** Zanussi  
**Factory code:** 7PDN



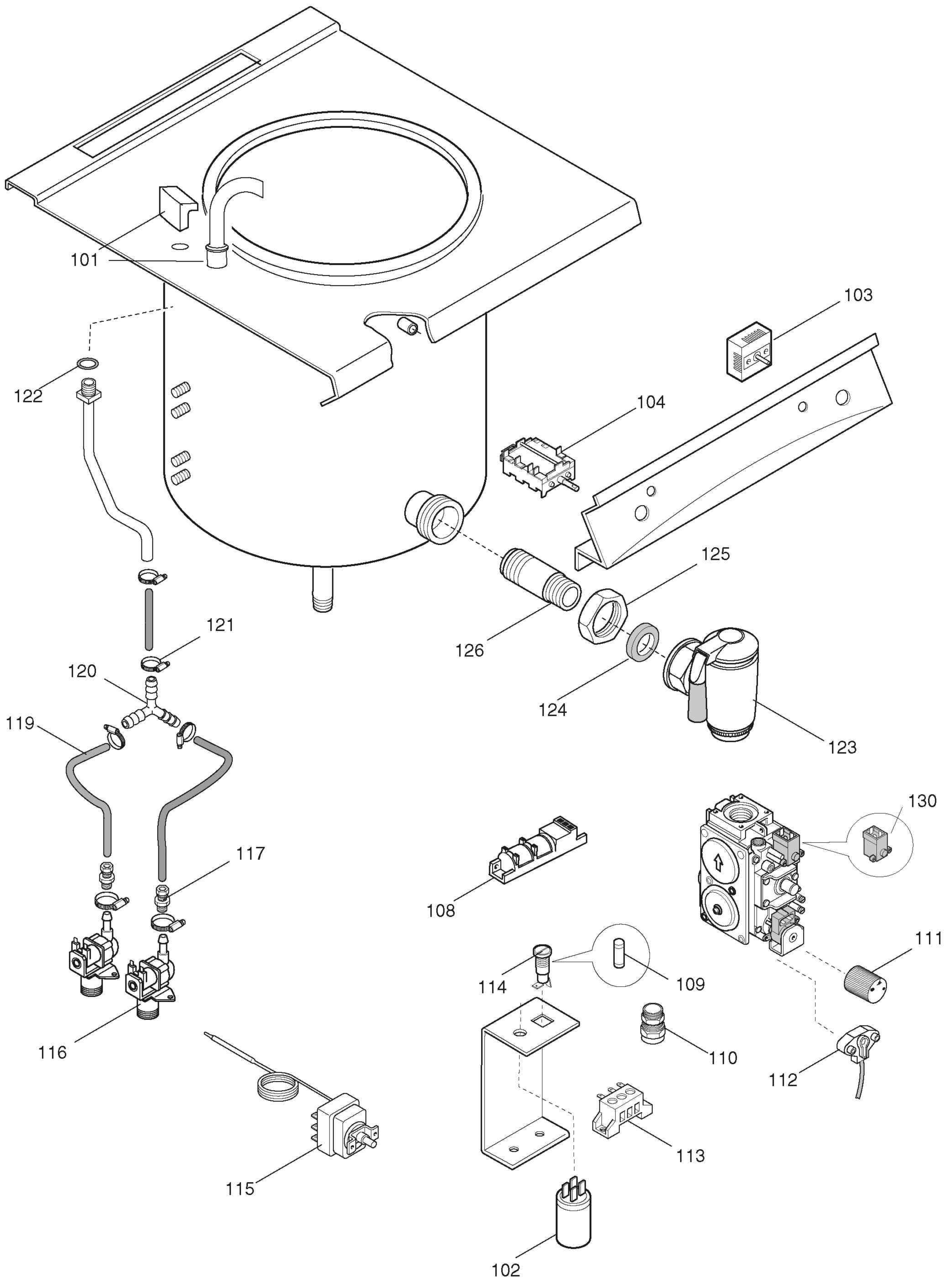
**PENTOLE GAS DIRETTE N700**  
**GAS BOILING PAN DIRECT HEATING N700**



A - Ugello bruciatore / Burner nozzle			
6DGT Code	Ref. / Notes		
0C0551	ø2.85	2H/2E+	G20 20mbar
0C0747	ø2.70	2H	G20 25mbar
054632	ø3.10	2ELL	G25 20mbar
004856	ø2.95	2L	G25 25mbar
004856	ø2.95	2S	G25.1 25mbar
0C0509	ø1.85	3+3B/P	G30 30mbar
003723	ø1.75	3B/P	G30 36mbar
054127	ø1.65	3B/P	G30 50mbar
055388	ø3.30	No CE	G20 10mbar
0C3079	ø6.25	No CE	G110 8mbar

B - Ugello pilota / Pilot nozzle			
6DGT Code	Ref./ Notes		
053670	n°41	2H/2E+	G20 20mbar
053670	n°41	2H	G20 25mbar
053670	n°41	2ELL	G25 20mbar
053670	n°41	2L	G25 25mbar
053670	n°41	2S	G25.1 25mbar
053667	n°30	3+3B/P	G30 30mbar
053667	n°30	3B/P	G30 36mbar
053667	n°30	3B/P	G30 50mbar
053667	n°30	No CE	G20 10mbar
053669	n°75	No CE	G110 8mbar

**PENTOLE GAS DIRETTE N700**  
**GAS BOILING PANDIRECT HEATING N700**



**PENTOLE GAS DIRETTE N700**  
**GAS BOILING PAN DIRECT HEATING N700**