

FRIGGITRICI ELETTRICHE ELETTRONICHE 23L N900
ELECTRIC ELECTRONIC FRYERS 23L N900

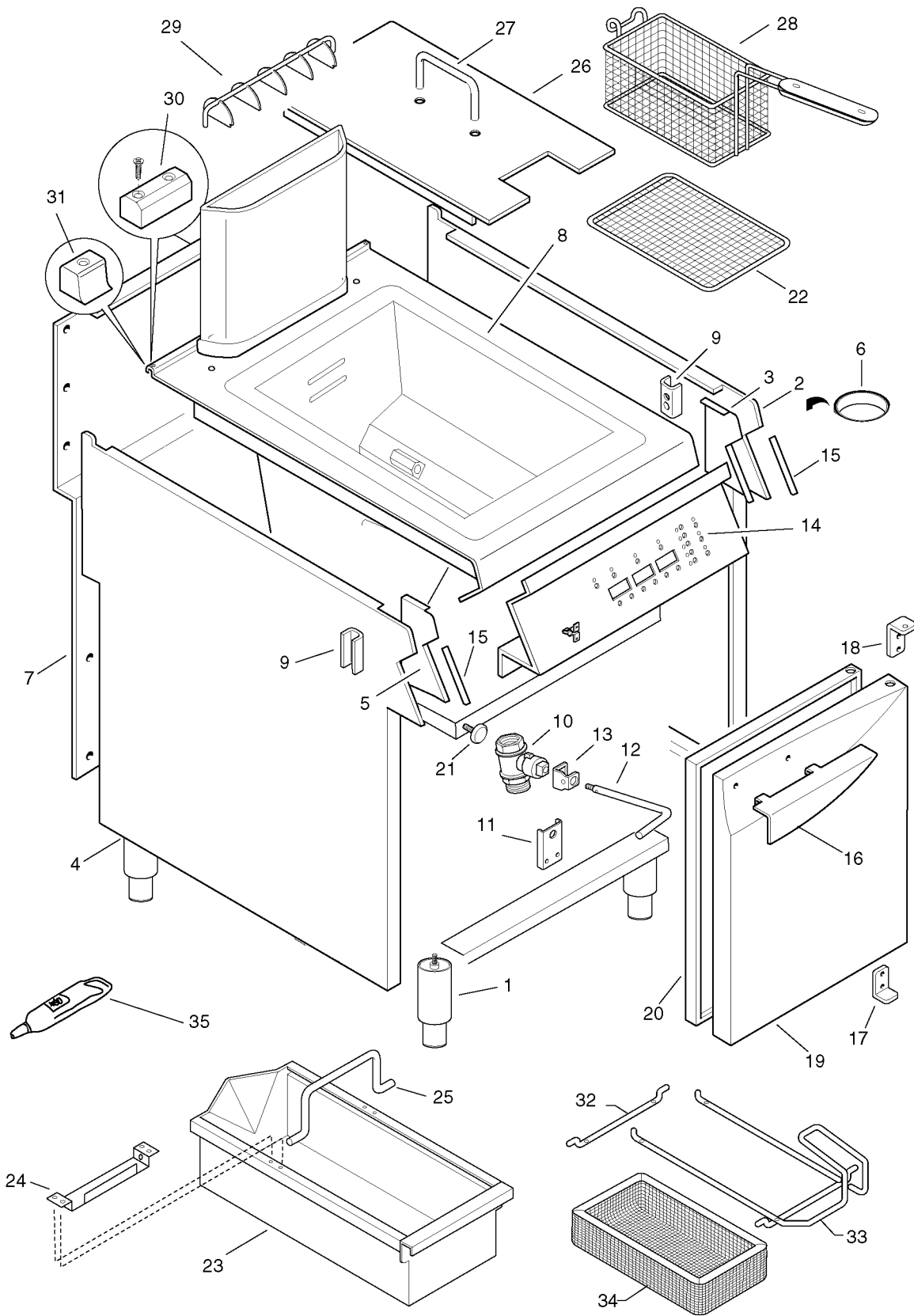
PNC	Model	Ref.	Page	Notes
200 352	KFH/E1	a	1 - 8	Electric Electronic Fryer 23Lt
200 354	KFH/E1ELH	b	1 - 8	Electric Active Fryer 23Lt
200 356	KFH/E1EL	c	1 - 8	Electric Electronic + Pump Rec. Fryer 23Lt

Index
Pag. 1 - 4
Pag. 5 - 7

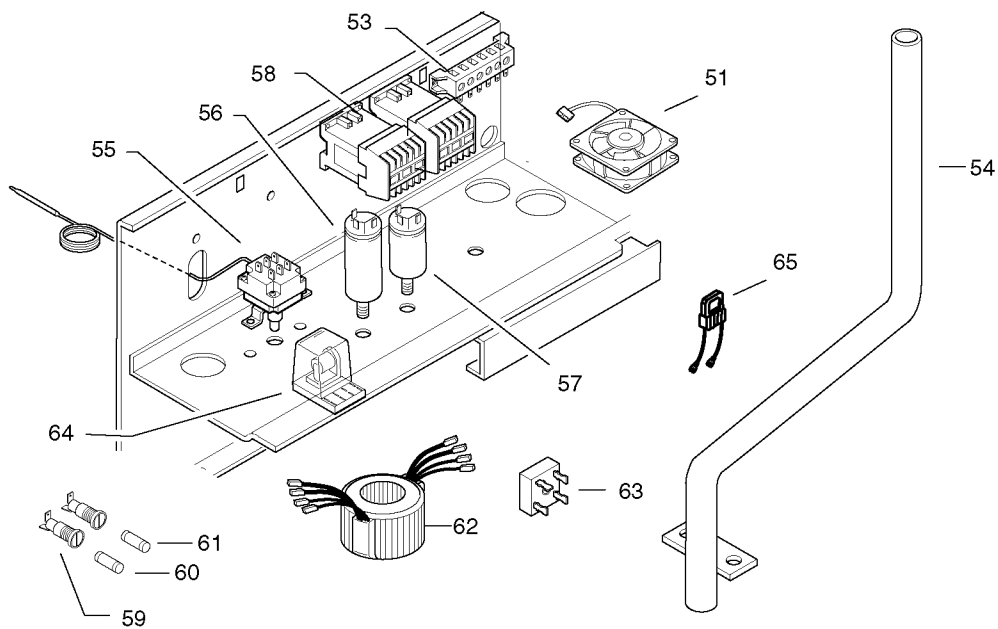
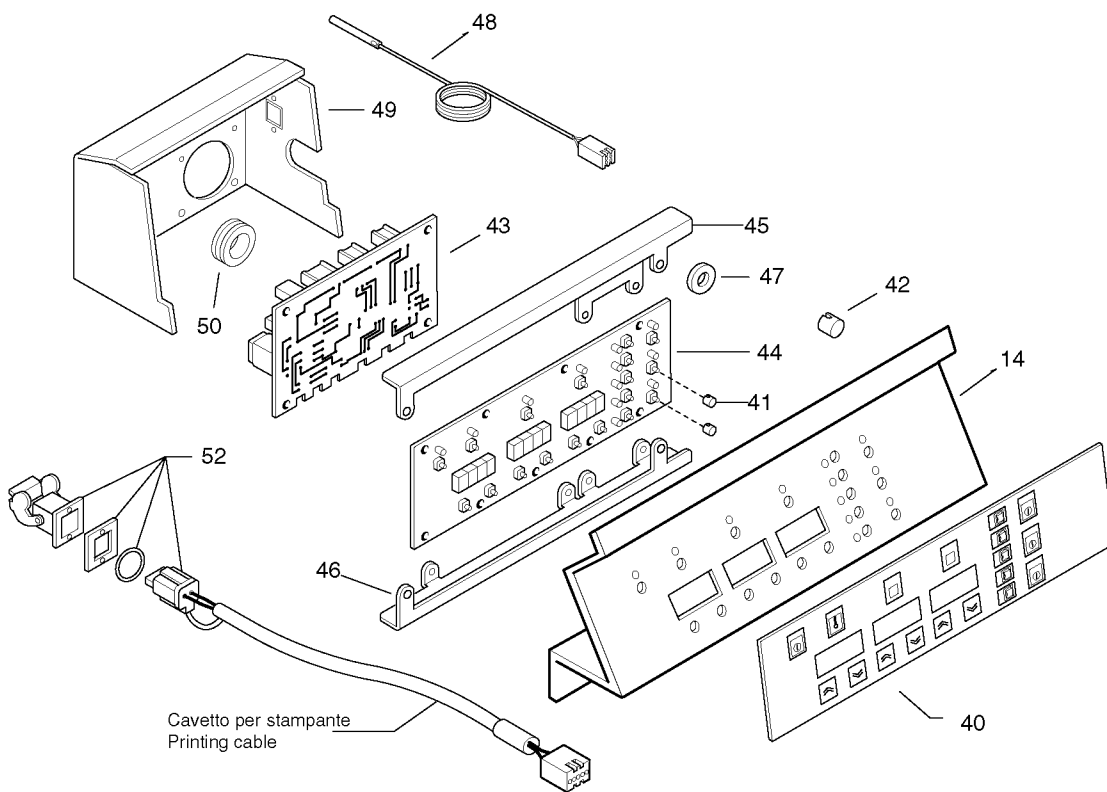
Indice
Frame and components
Spare parts list

Struttura e componenti
Lista ricambi

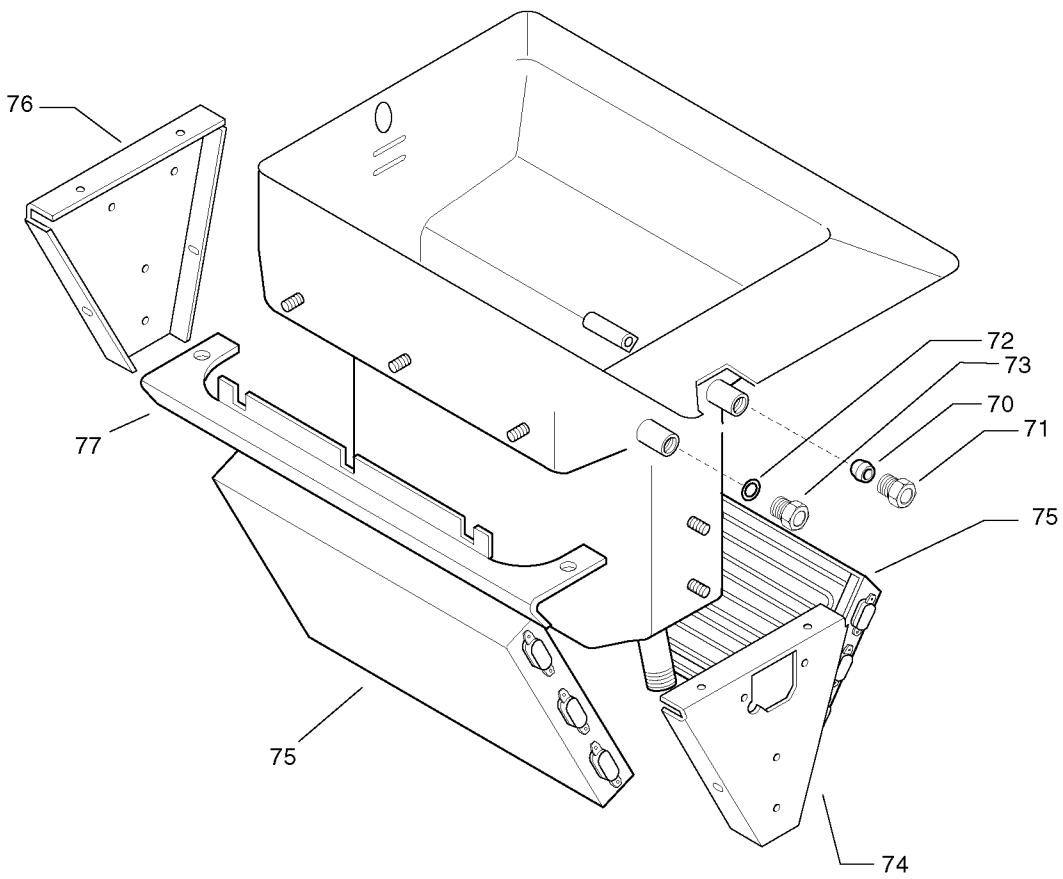
Brand / Marchio : Zanussi
Factory code: 9PDX



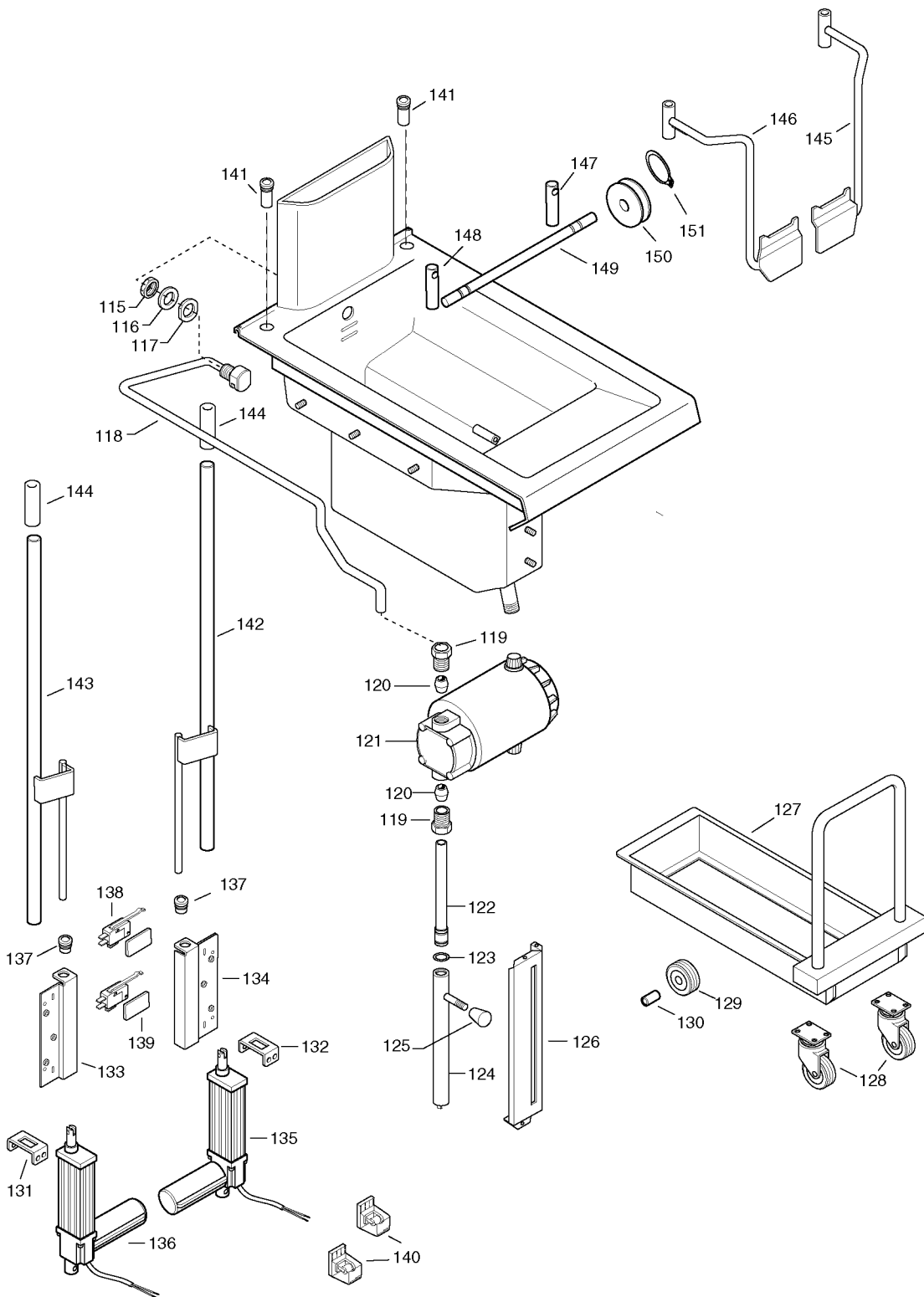
FRIGGITRICI ELETTRICHE ELETTRONICHE 23L N900
 ELECTRIC ELECTRONIC FRYERS 23L N900



FRIGGITRICI ELETTRICHE ELETTRONICHE 23L N900
 ELECTRIC ELECTRONIC FRYERS 23L N900



FRIGGITRICI ELETTRICHE ELETTRONICHE 23L N900
ELECTRIC ELECTRONIC FRYERS 23L N900



FRIGGITRICI ELETTRICHE ELETTRONICHE 23L N900
 ELECTRIC ELECTRONIC FRYERS 23L N900