

**FORNO A VAPORE CON BRUCIATORI A GAS AD ARIA SOFFIATA 20GN1/1, 20GN2/1  
20GN1/1, 20GN2/1 BLOWING BURNER GAS STEAM OVEN**

<b>PNC</b>	<b>Model</b>	<b>Ref.</b>	<b>Page</b>	<b>Notes</b>
164 537	FDV20G	a	1,2,3,4,6	Zanussi
164 531	FDV40G	b	1,2,3,5,6	Zanussi
164 539	FDV20GZ	c	1,2,3,4,6	Electrolux
164 533	FDV40GZ	d	1,2,3,5,6	Electrolux
164 541	FDV20GA	e	1,2,3,4,6	Alpeninox
164 535	FDV40GA	f	1,2,3,5,6	Alpeninox

**Indice**

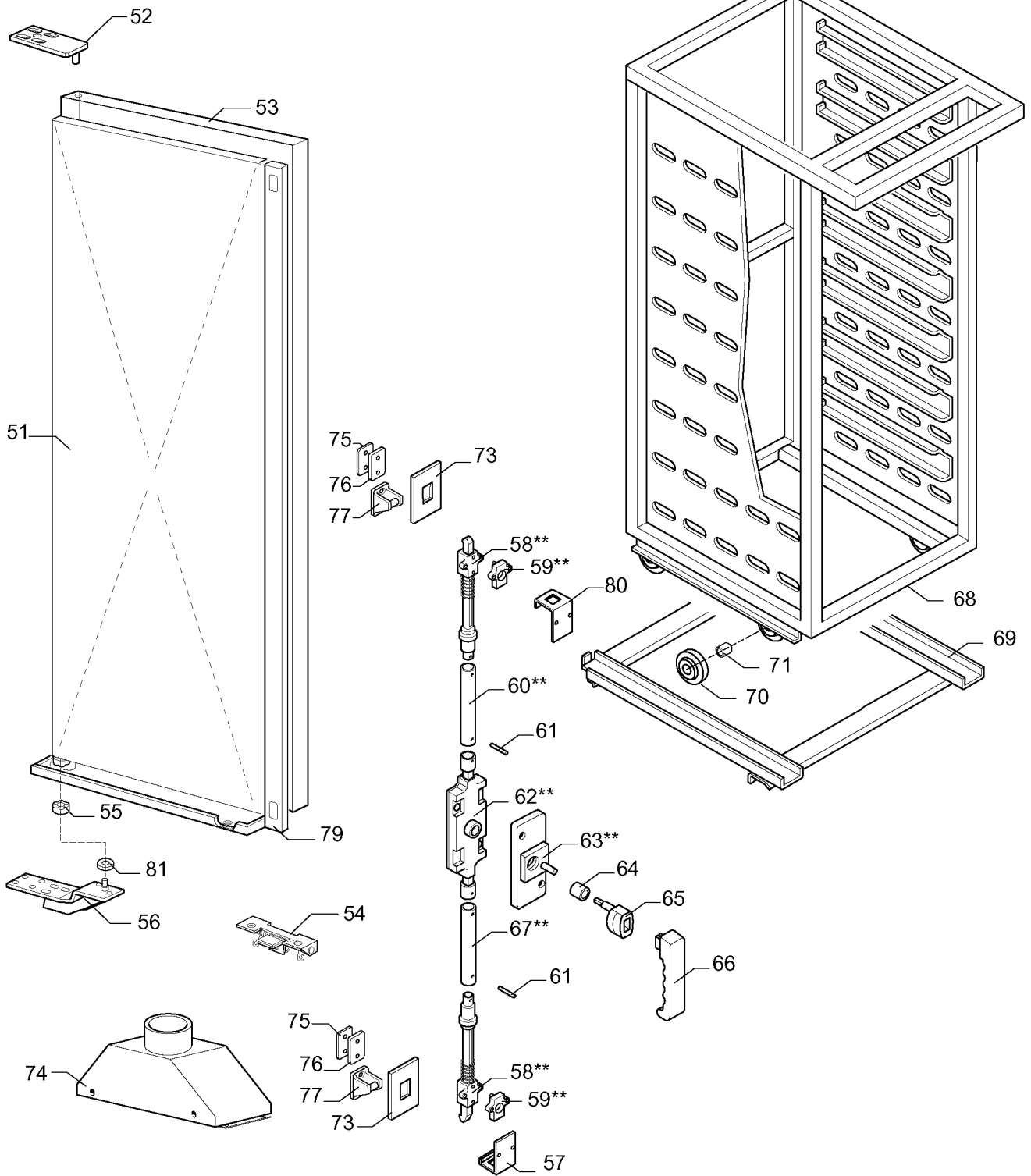
Pag. 1	Cella forno
2	Ass.porta e struttura carellata
3	Componenti gas
4	Boiler e componenti
5	Componenti elettrici
6	Pannello comandi
7-11	Lista ricambi

**Index**

Oven cabinet
Door ass.ly and slide-in-rack
Gas components
Boiler and components
Electrical components
Control panel
Spare parts list

**Marchio / Brand:** Z-E-A  
**Paese / Country:** Tutti / All  
**Factory code:**

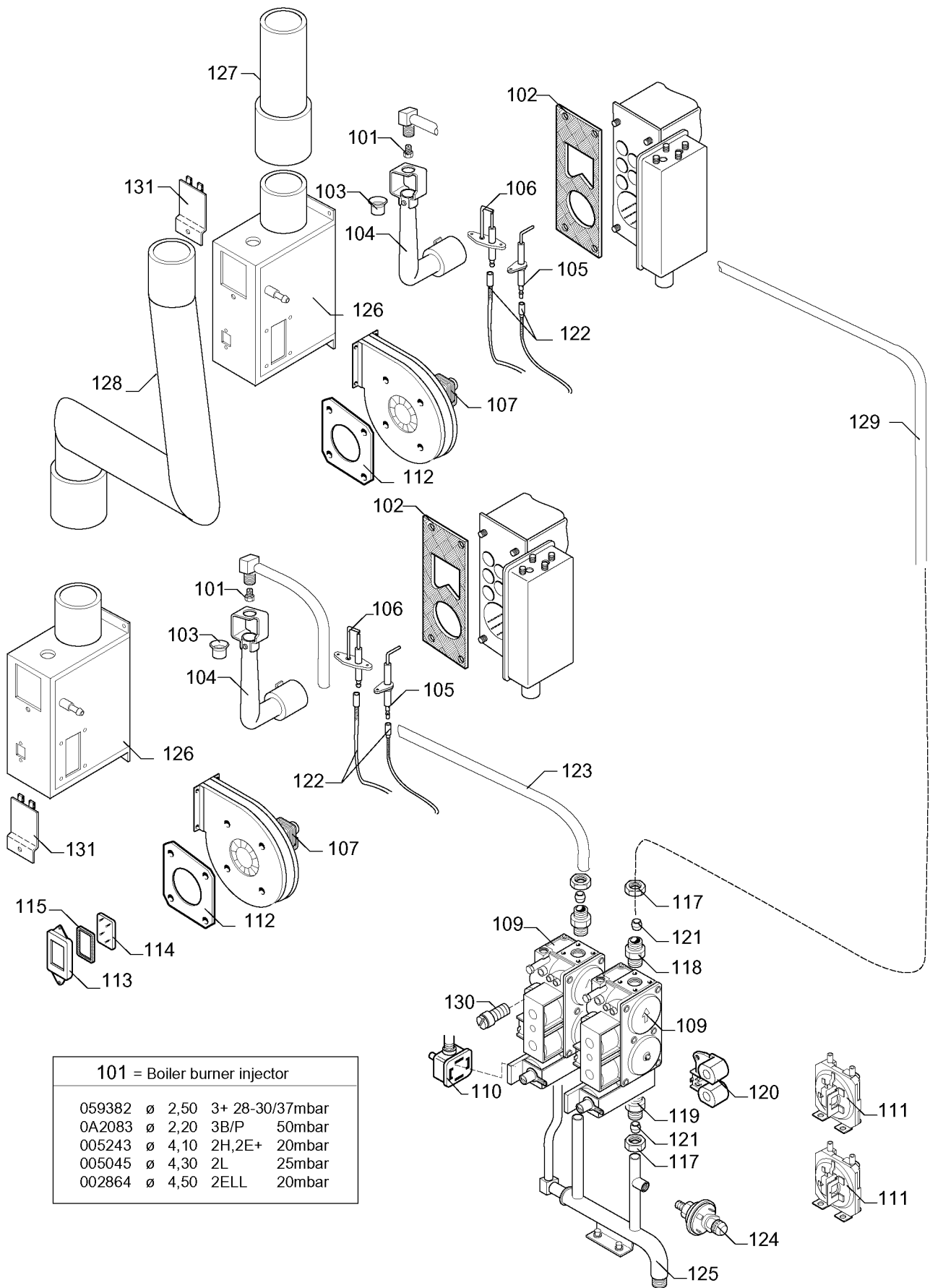




78 { DOOR ASSEMBLY  
 ASSIEME PORTA  
 COMPOSED BY POS.: 51,53,55,  
 57,64,65,72,73,79,80

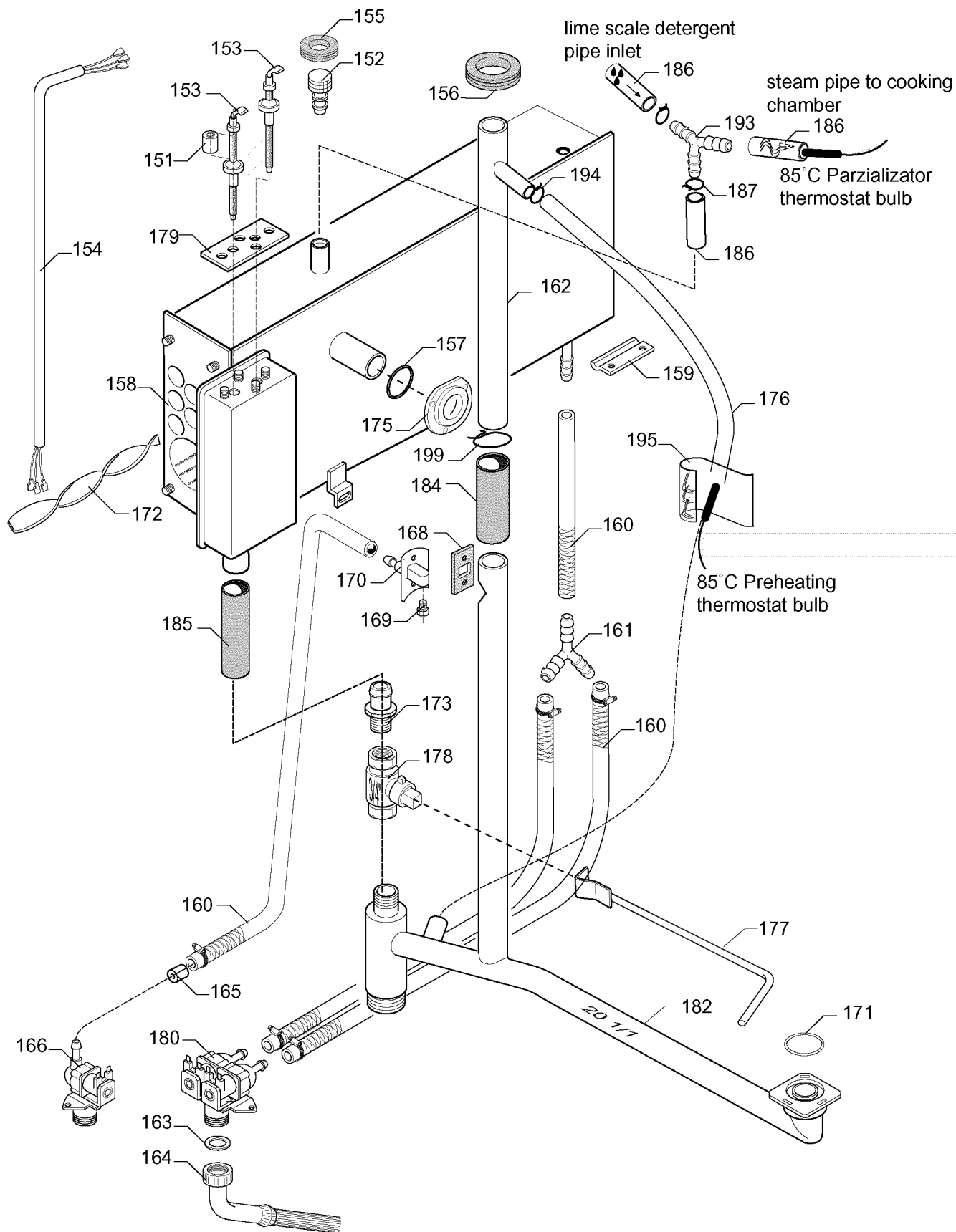
72\*\* { LEVER HOOK LOCK ASSEMBLY  
 ASSIEME CHIUSURA

**FORNO A VAPORE CON BRUCIATORI A GAS AD ARIA SOFFIATA 20GN1/1, 20GN2/1  
 20GN1/1, 20GN2/1 BLOWING BURNER GAS STEAM OVEN**



101 = Boiler burner injector			
059382	∅ 2,50	3+ 28-30/37mbar	
0A2083	∅ 2,20	3B/P 50mbar	
005243	∅ 4,10	2H,2E+ 20mbar	
005045	∅ 4,30	2L 25mbar	
002864	∅ 4,50	2ELL 20mbar	

**FORNO A VAPORE CON BRUCIATORI A GAS AD ARIA SOFFIATA 20GN1/1, 20GN2/1  
20GN1/1, 20GN2/1 BLOWING BURNER GAS STEAM OVEN**



**FORNO A VAPORE CON BRUCIATORI A GAS AD ARIA SOFFIATA 20GN1/1, 20GN2/1  
20GN1/1, 20GN2/1 BLOWING BURNER GAS STEAM OVEN**

