

**20 GN1/1 AND 20 GN 2/1 ELECTRIC STEAM-CONVECTION OVEN**  
**FORNO CONVEZIONE-VAPORE ELETTRICO 20 GN1/1 E 20 GN 2/1**

PNC	Model	Ref.	Page	
260300	5714 - 3 - 6	a	1 - 4	} air o steam FCV/E 20 1/1
260301	5714 - 3 - 7	b	1 - 4	
260302	5714 - 3 - 8	c	1 - 4	
260303	5714 - 3 - 8E	d	1 - 4	
260304	5714 - 3 - 10	e	1 - 4	
260310	5717 - 3 - 6	f	1 - 4	} air o steam FCV/E 20 2/1
260311	5717 - 3 - 7	g	1 - 4	
260312	5717 - 3 - 8	h	1 - 4	
260313	5717 - 3 - 8E	l	1 - 4	
260314	5717 - 3 - 10	m	1 - 4	
260315	5717 - 3 - 8M	n	1 - 4	
260316	5717 - 3 - 8CH	p	1 - 4	

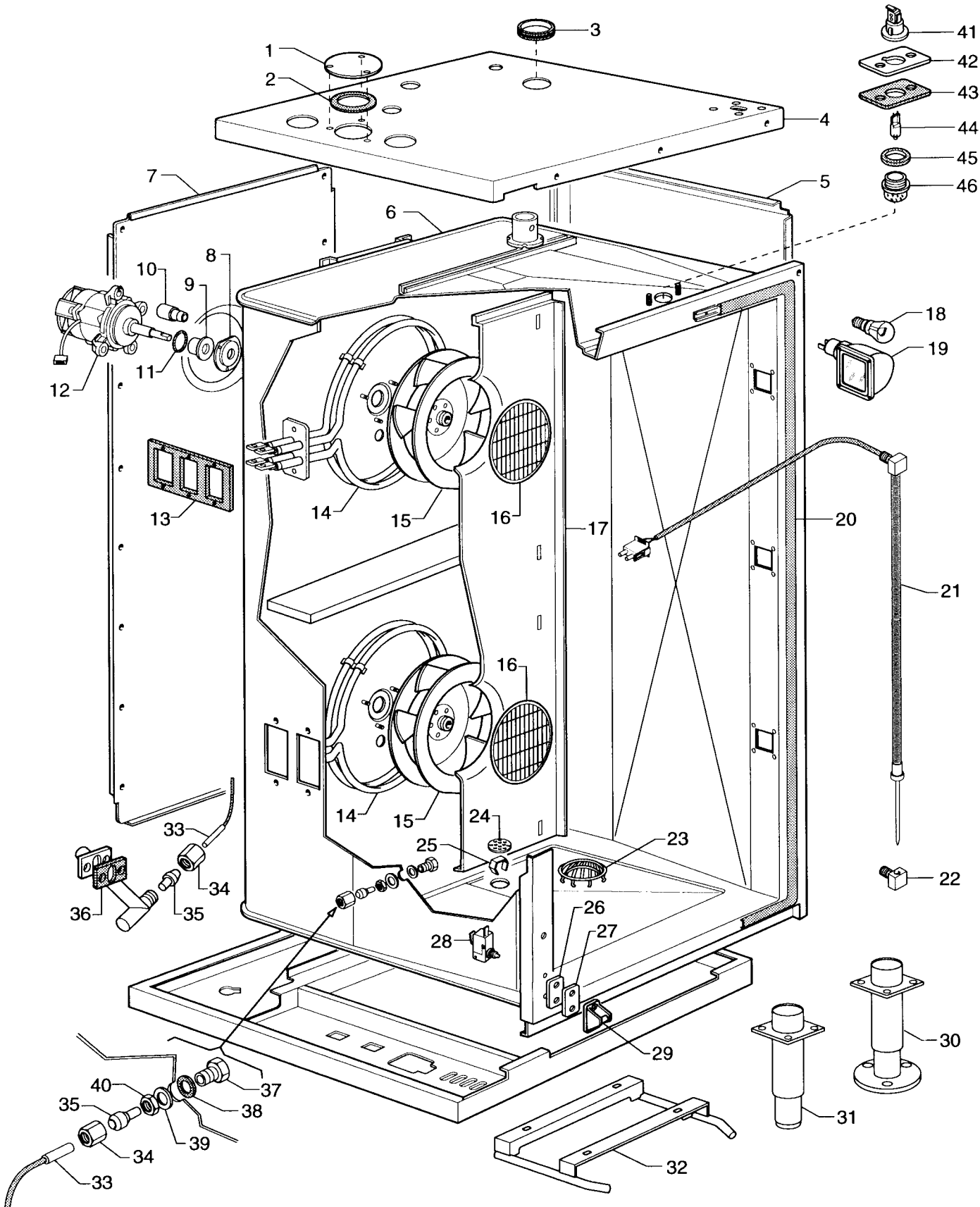
**Index**

Pag. 1	Oven cabinet
2	Oven door
3	Boiler and components
4	Electrical components
5-10	Spare parts list

**Indice**

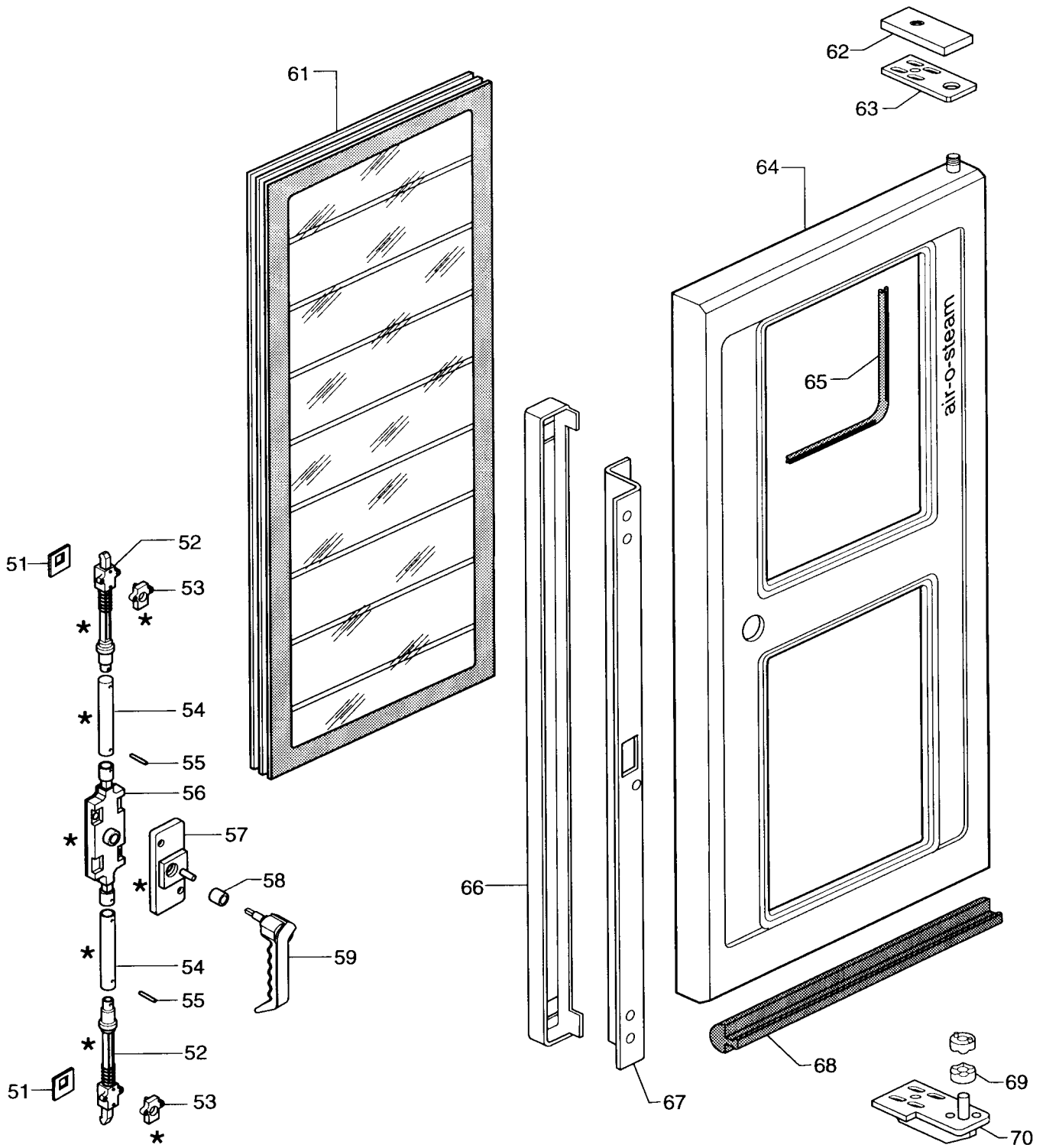
Cella forno
Porta forno
Boiler e componenti
Componenti elettrici
Lista ricambi

**Brand / Marchio :** J  
**Factory code:** 9731



20 GN1/1 AND 20 GN2/1 ELECTRIC STEAM - CONVECTION OVEN  
 FORNO CONVEZIONE-VAPORE ELETTRICO 20 GN1/1 E 20 GN2/1

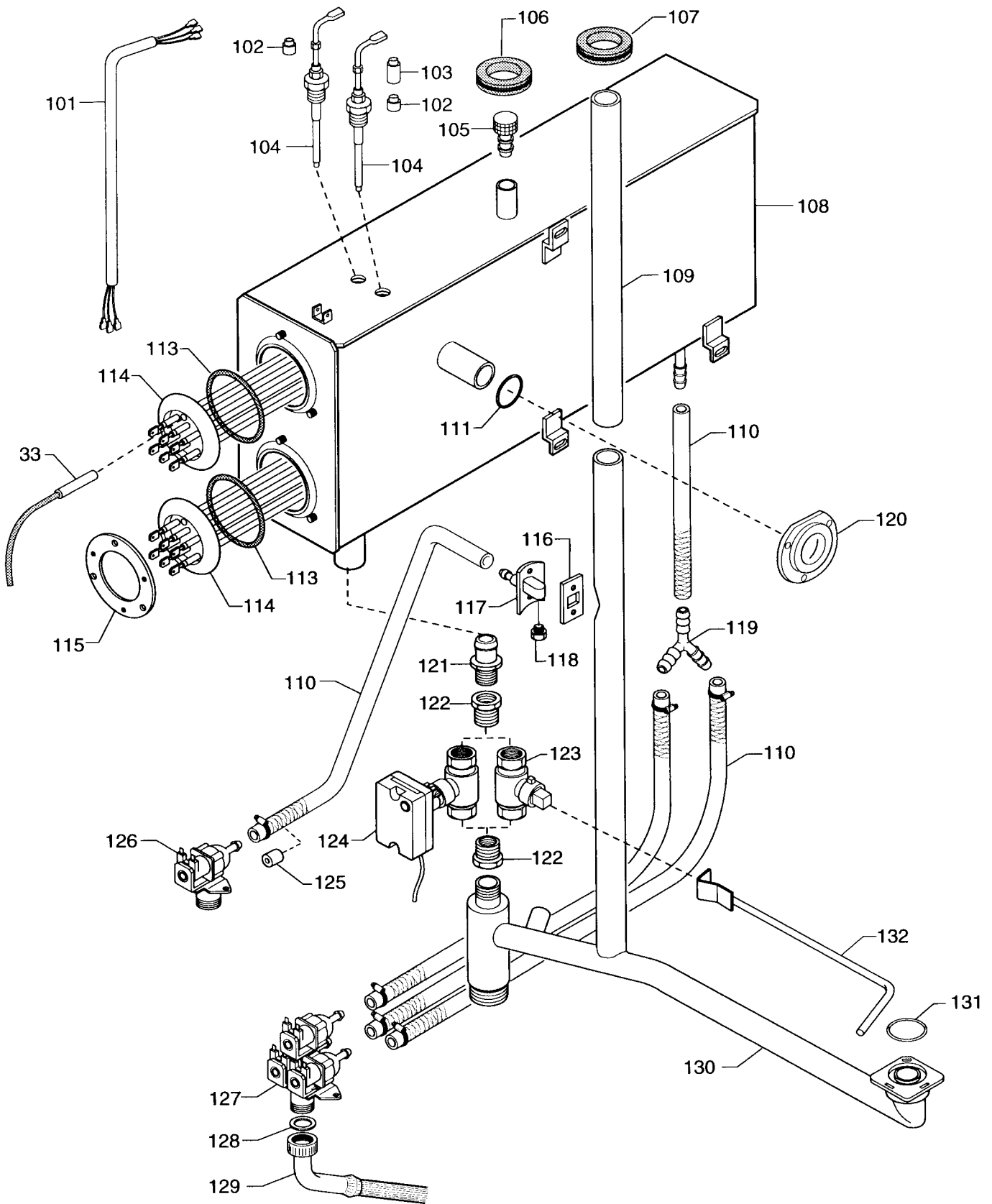
5714-3 / 5717-3



71 ★ { LEVER HOOK LOCK ASSEMBLY  
 ASSIEME CHIUSURA

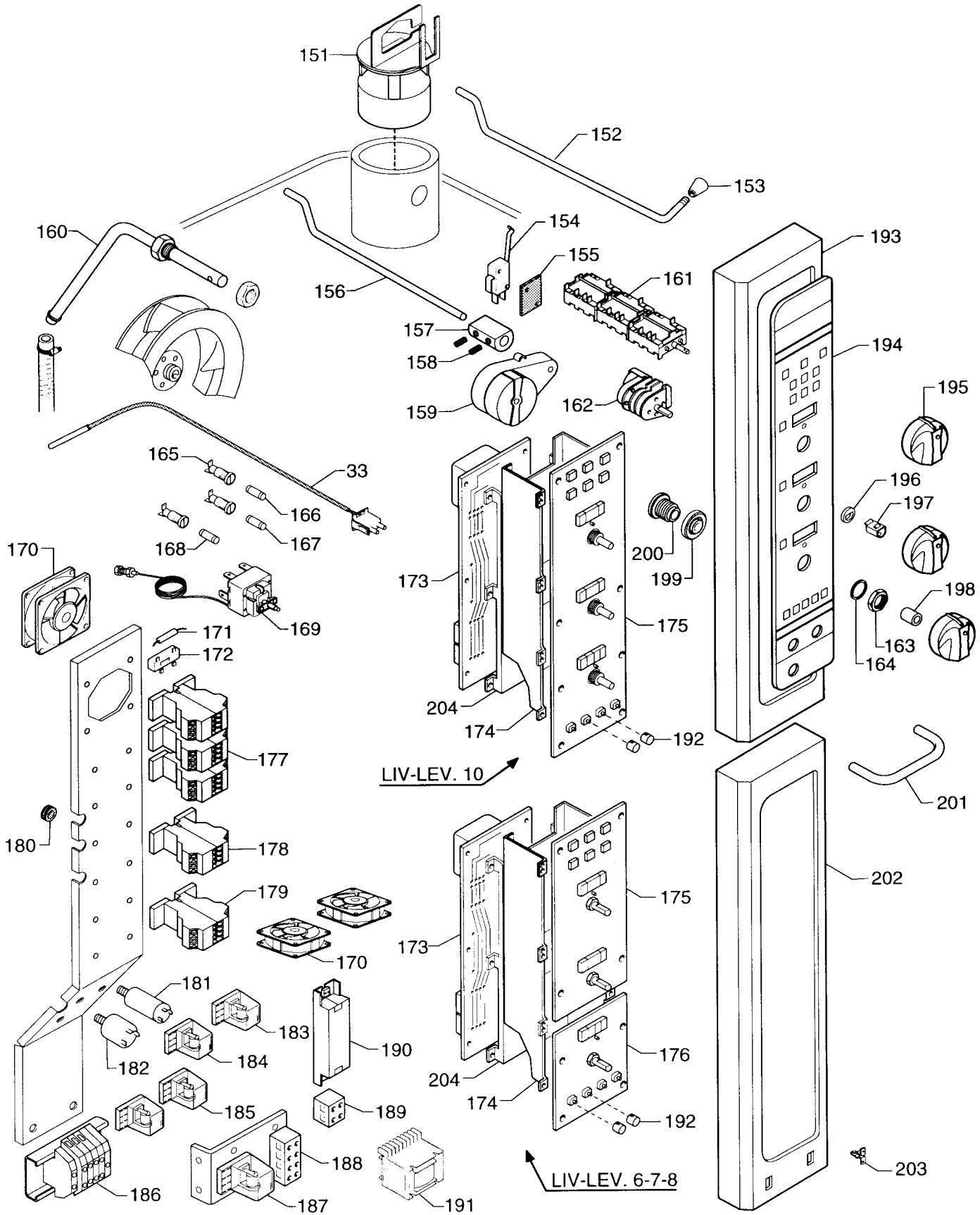
20 GN1/1 AND 20 GN2/1 ELECTRIC STEAM - CONVECTION OVEN  
 FORNO CONVEZIONE-VAPORE ELETTRICO 20 GN1/1 E 20 GN2/1

5714-3 / 5717-3



20 GN1/1 AND 20 GN2/1 ELECTRIC STEAM - CONVECTION OVEN  
 FORNO CONVEZIONE-VAPORE ELETTRICO 20 GN1/1 E 20 GN2/1

5714-3 / 5717-3



20 GN1/1 AND 20 GN2/1 ELECTRIC STEAM - CONVECTION OVEN  
 FORNO CONVEZIONE-VAPORE ELETTRICO 20 GN1/1 E 20 GN2/1

5714-3 / 5717-3

**20 GN1/1 AND 20 GN 2/1 ELECTRIC STEAM-CONVECTION OVEN**  
**FORNO CONVEZIONE-VAPORE ELETTRICO 20 GN1/1 E 20 GN 2/1**

PNC	Model	Ref.	Page	Notes
260301	5714 - 3 - 7	b	1-2-3-5-6	Level 7
260302	5714 - 3 - 8	c	1-2-3-5-6	Level 8
260303	5714 - 3 - 8E	d	1-2-3-5-6	Level 8
260304	5714 - 3 - 10	e	1-2-3-5-6	Level 10
				air o steam FCV/E 20 1/1
260311	5717 - 3 - 7	g	1-2-4-5-6	Level 7
260312	5717 - 3 - 8	h	1-2-4-5-6	Level 8
260313	5717 - 3 - 8E	l	1-2-4-5-6	Level 8
260314	5717 - 3 - 10	m	1-2-4-5-6	Level 10
260315 (1)	5717 - 3 - 8M	n	1-2-4-5-6	Level 8
<b>260317 (2)</b>	5717 - 3 - 8M	n	1-2-4-5-6	Level 8
				air o steam FCV/E 20 2/1

(1) Out production from Serial Nr. 119...

(2) In production from Serial Nr. 120...

**Indice**

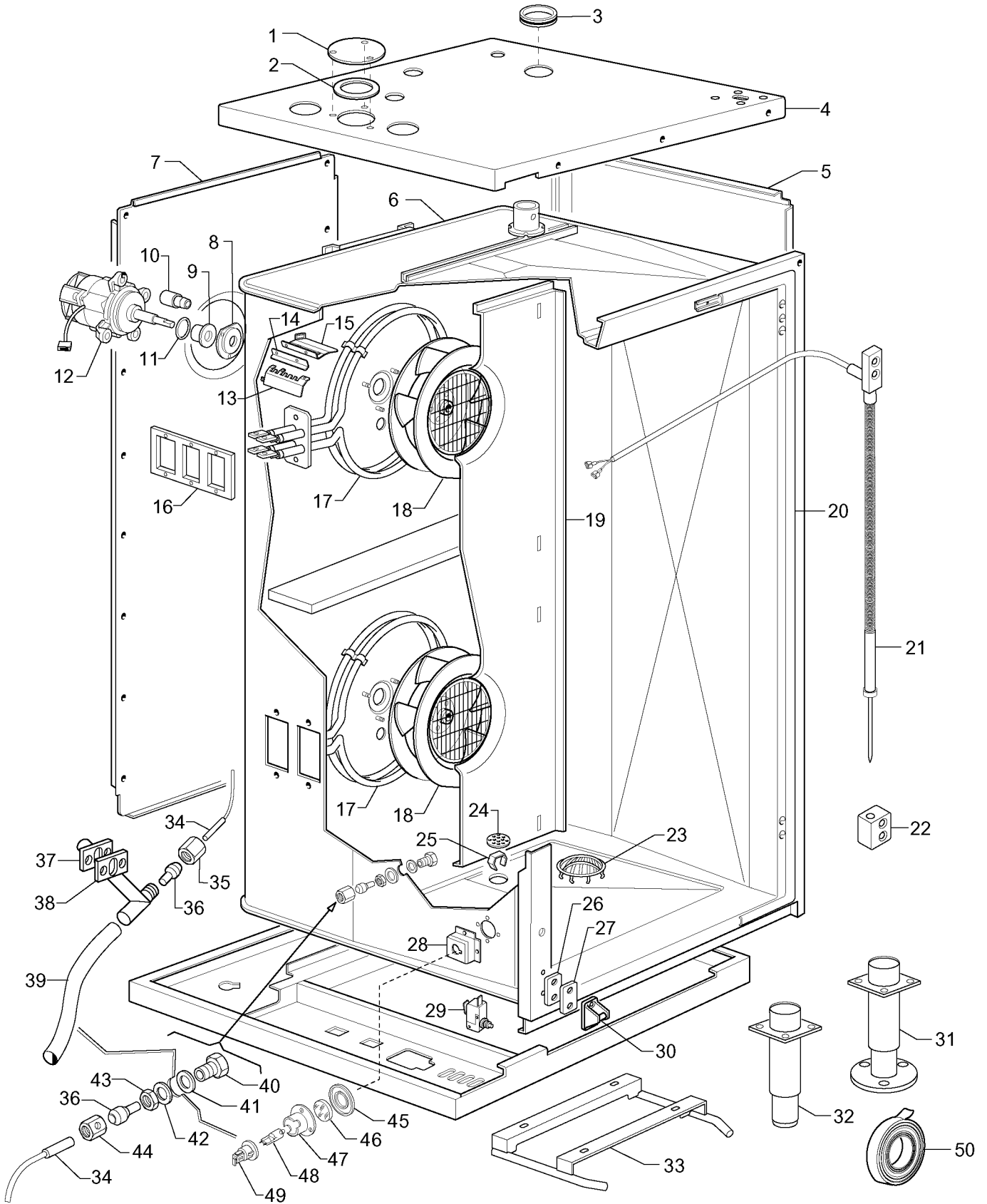
Pag. 1	Oven cabinet
2	Oven door
3	Boiler and components
4	Boiler and components
5	Electrical components
6	Control panel level 7-8-10
7-12	Lista ricambi

**Index**

Cella forno
Porta forno
Boiler e componenti
Boiler e componenti
Componenti elettrici
Cruscotto comandi livello 7-8-10
Spare parts list

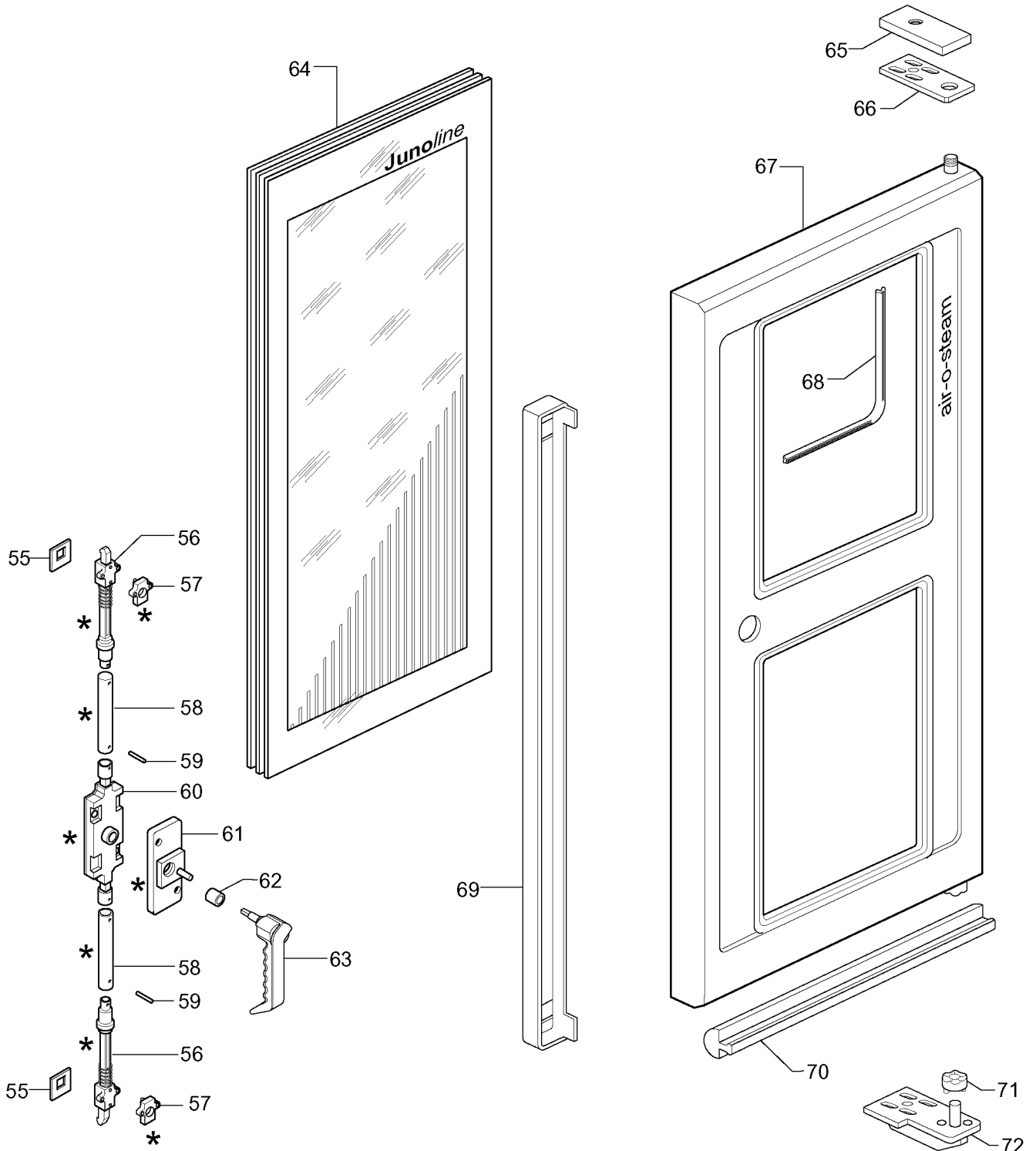
**Marchio / Brand:** J  
**Paese / Country:** Tutti / All  
**Factory code:** 9731

OS/DOC



20 GN1/1 AND 20 GN2/1 ELECTRIC STEAM - CONVECTION OVEN  
 FORNO CONVEZIONE-VAPORE ELETTRICO 20 GN1/1 E 20 GN2/1

5714-3 / 5717-3

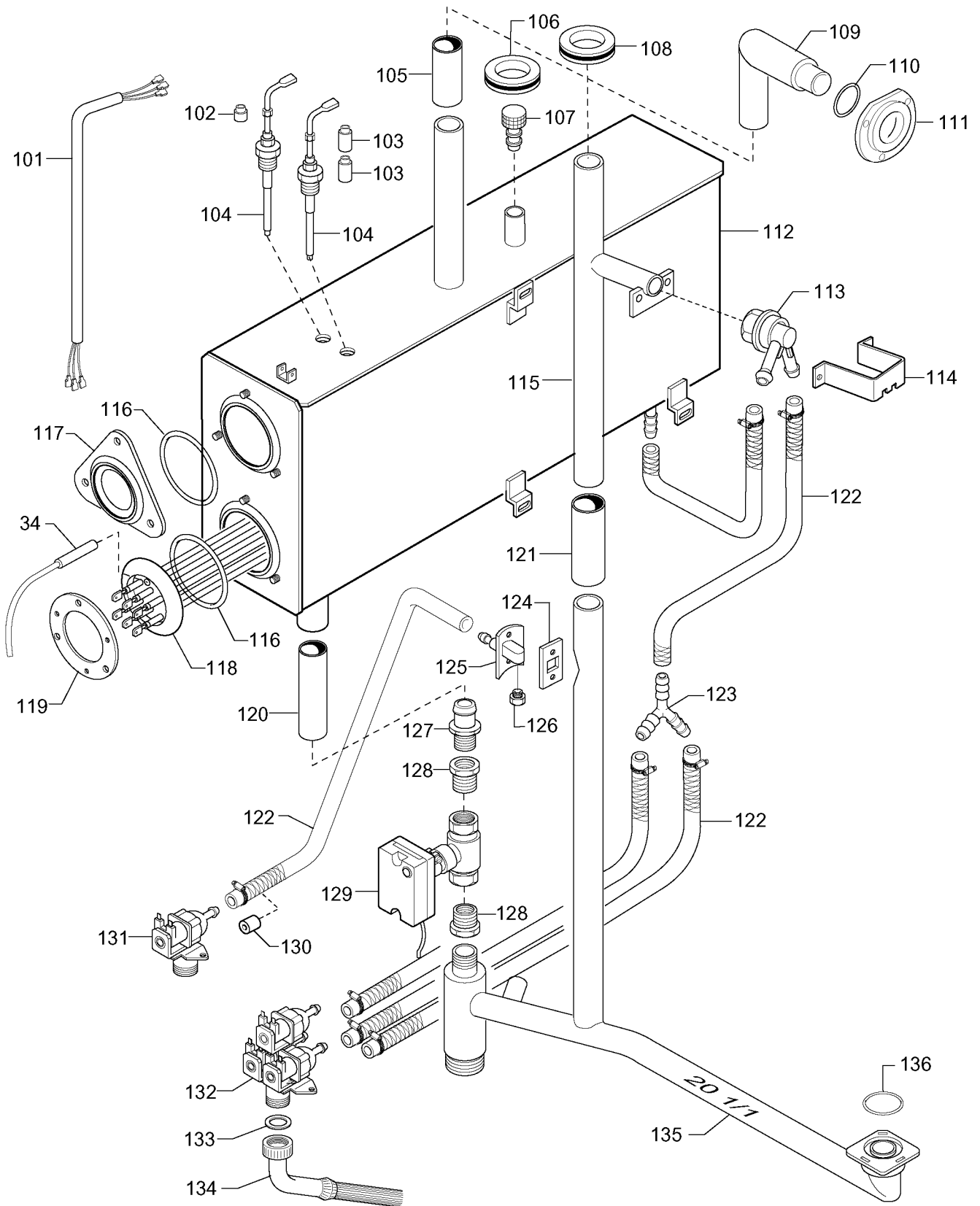


73 \* { LEVER HOOK LOCK ASSEMBLY  
 ASSIEME CHIUSURA

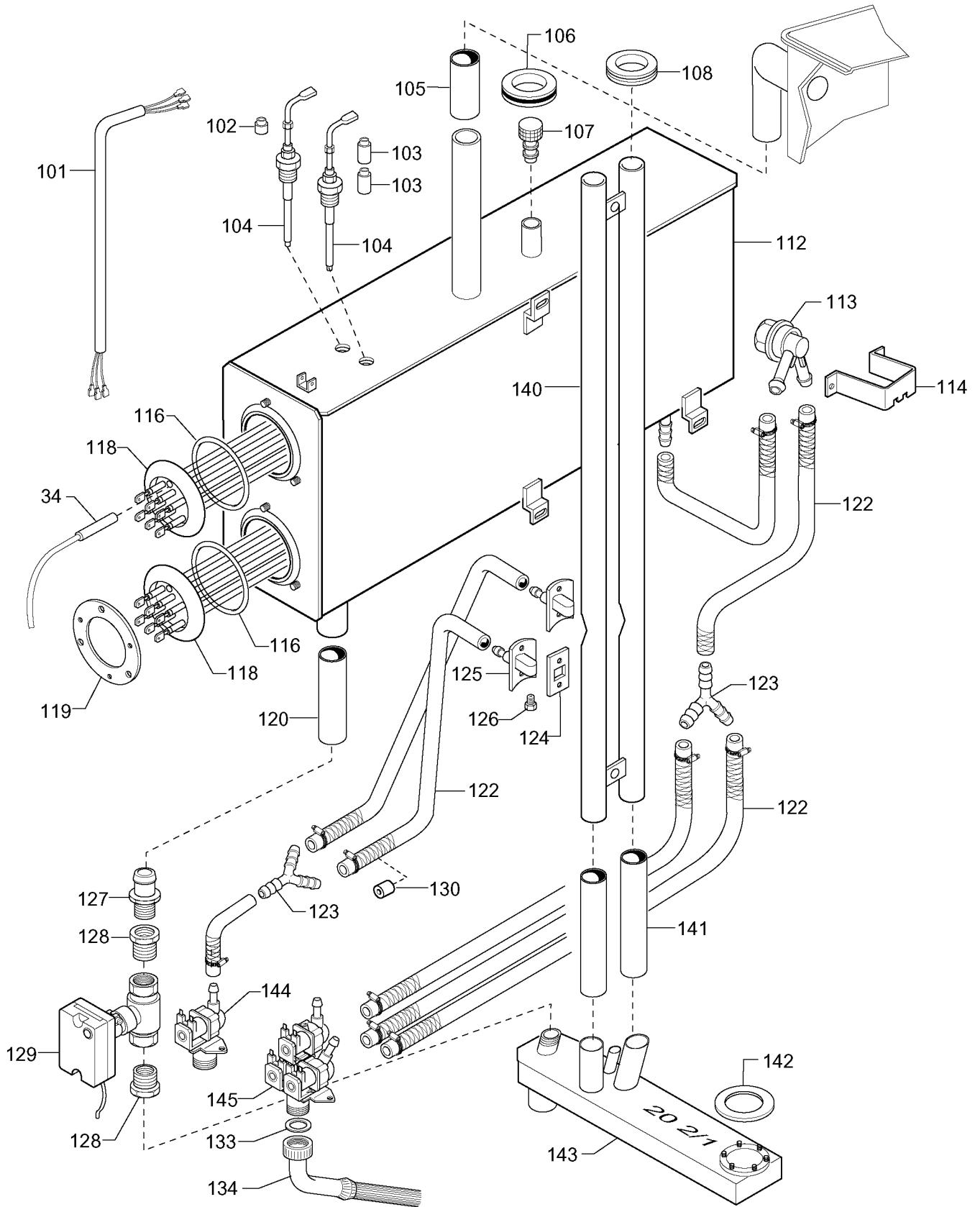
20 GN1/1 AND 20 GN2/1 ELECTRIC STEAM - CONVECTION OVEN  
 FORNO CONVEZIONE-VAPORE ELETTRICO 20 GN1/1 E 20 GN2/1

5714-3 / 5717-3

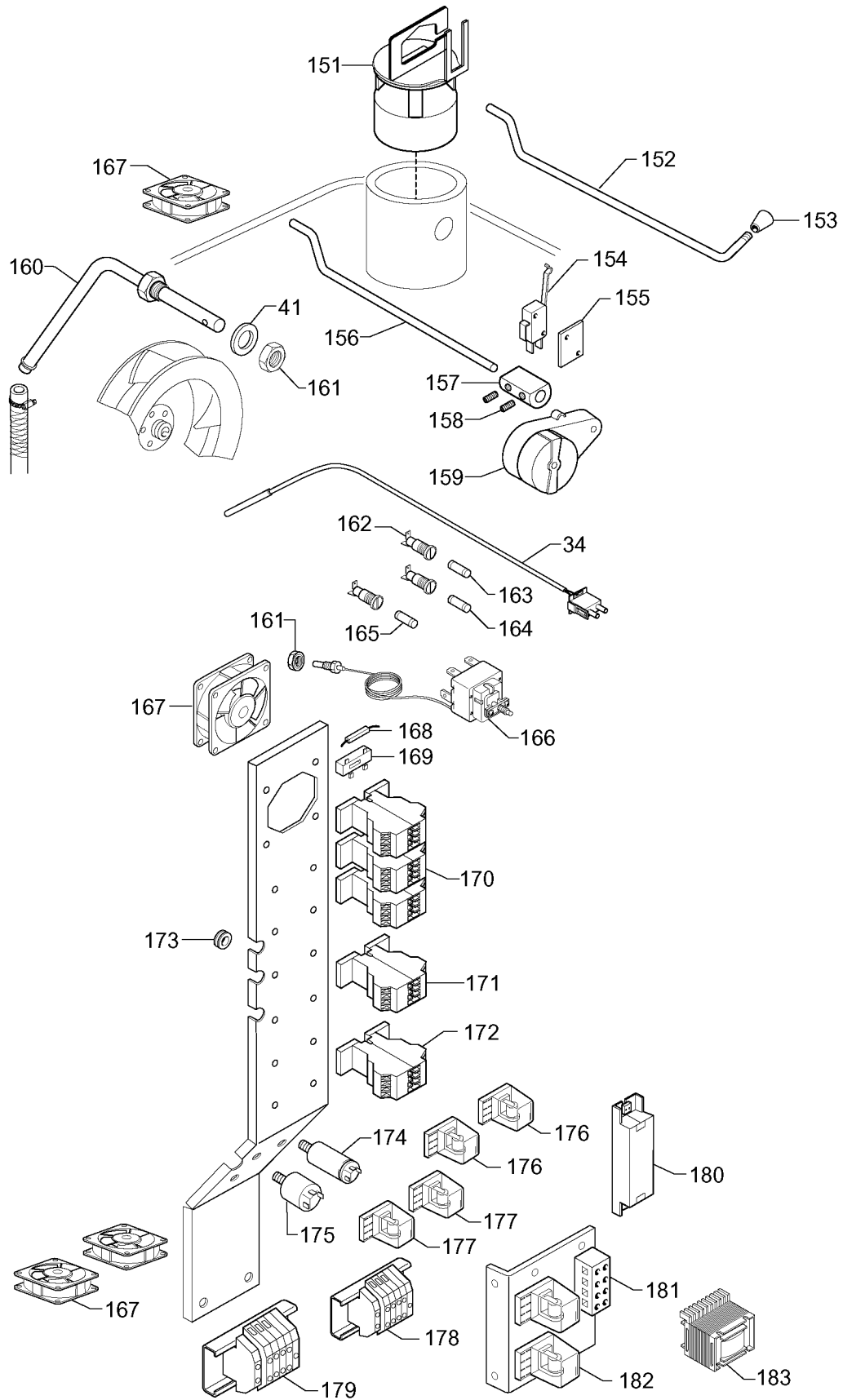




20 GN1/1 ELECTRIC STEAM - CONVECTION OVEN 5714-3  
 FORNO CONVEZIONE-VAPORE ELETTRICO 20 GN1/1

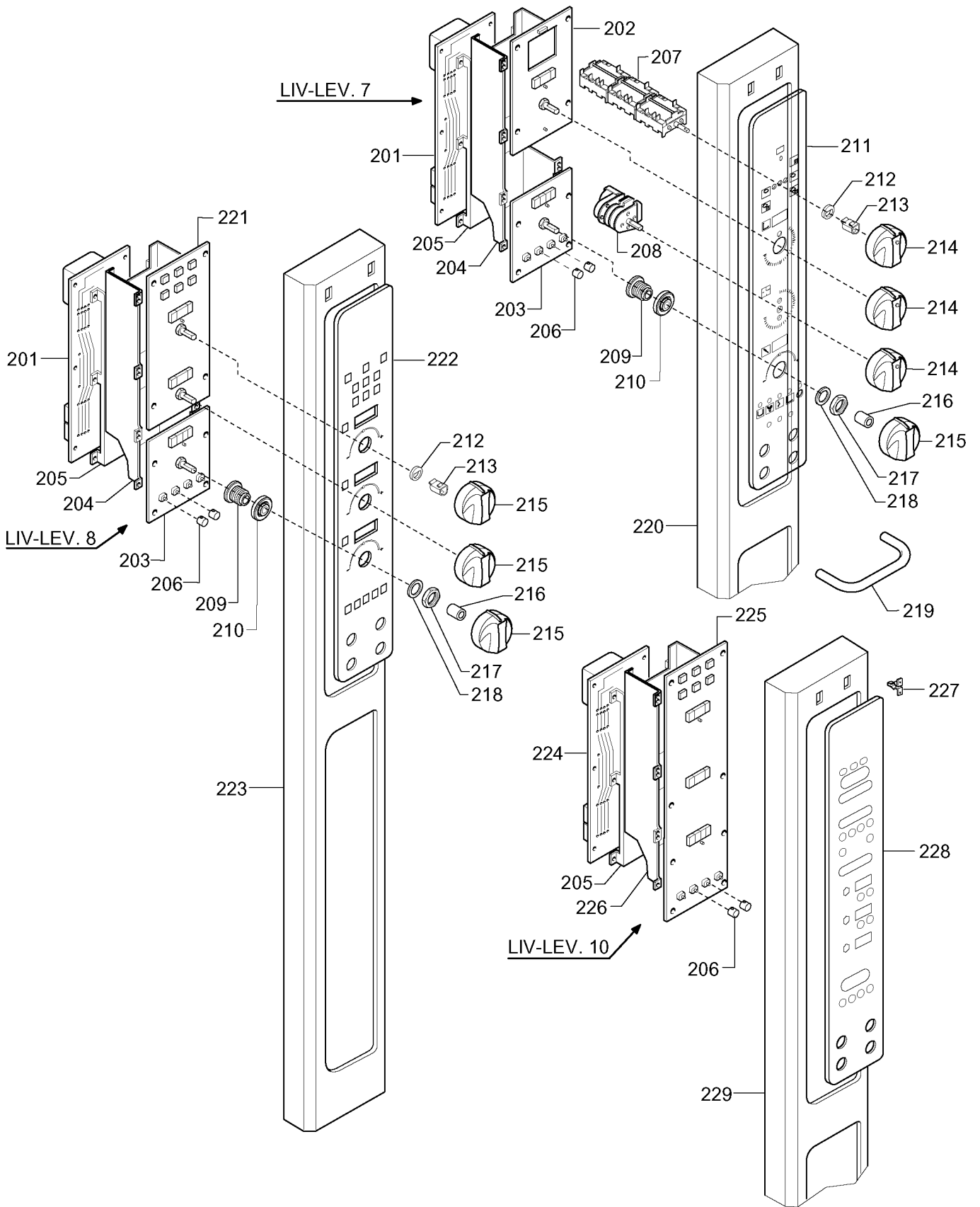


20 GN2/1 ELECTRIC STEAM - CONVECTION OVEN  
 FORNO CONVEZIONE-VAPORE ELETTRICO 20 GN2/1 5717-3



20 GN1/1 AND 20 GN2/1 ELECTRIC STEAM - CONVECTION OVEN  
 FORNO CONVEZIONE-VAPORE ELETTRICO 20 GN1/1 E 20 GN2/1

5714-3 / 5717-3



20 GN1/1 AND 20 GN2/1 ELECTRIC STEAM - CONVECTION OVEN  
 FORNO CONVEZIONE-VAPORE ELETTRICO 20 GN1/1 E 20 GN2/1

5714-3 / 5717-3