

Modular Platform

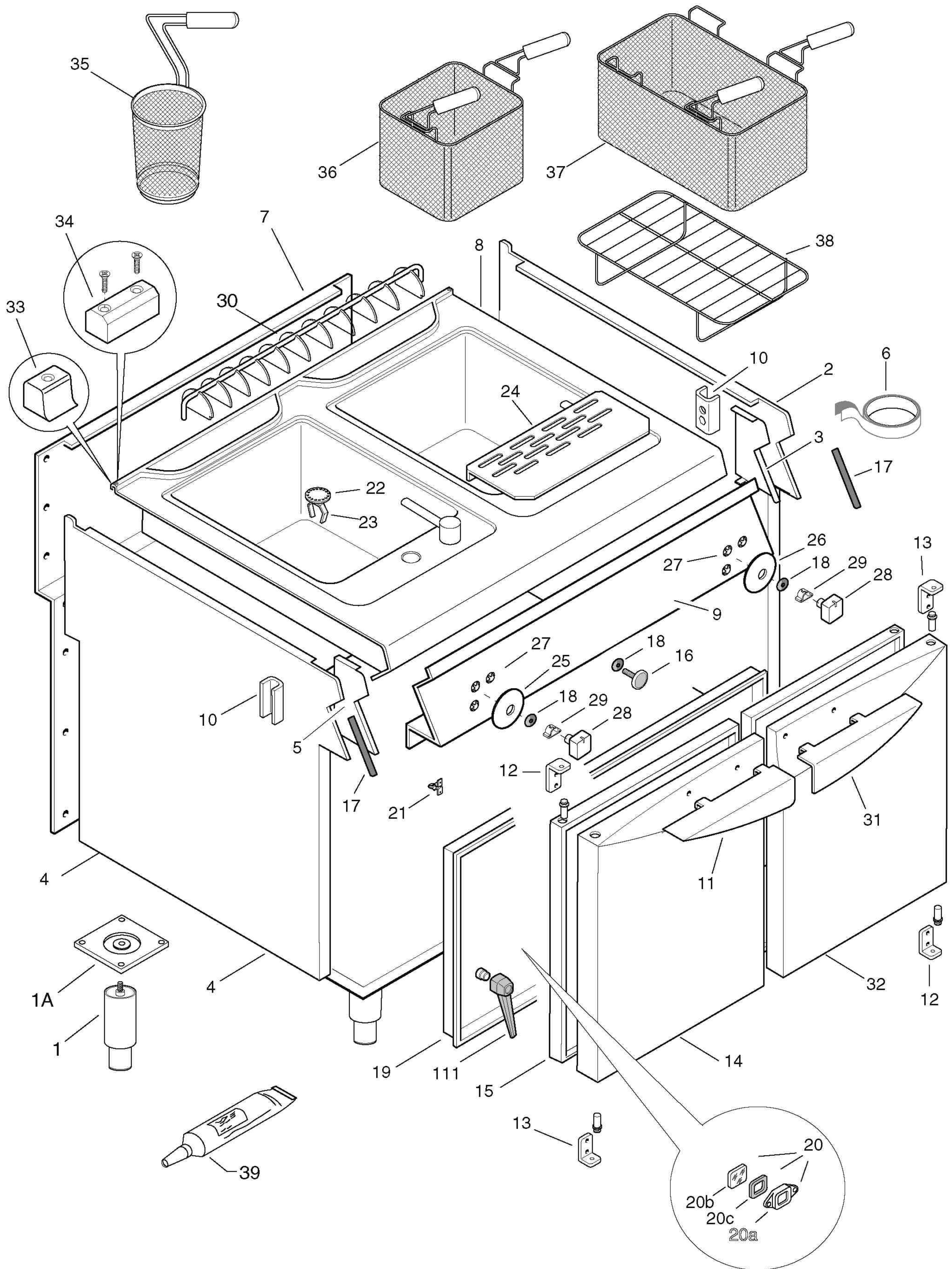
Viale Treviso, 15
33170 Pordenone - Italy
Fax: +39 0434-380577

**CUOCIPASTA GAS N900 USA
GAS PASTA COOKER N900 USA**

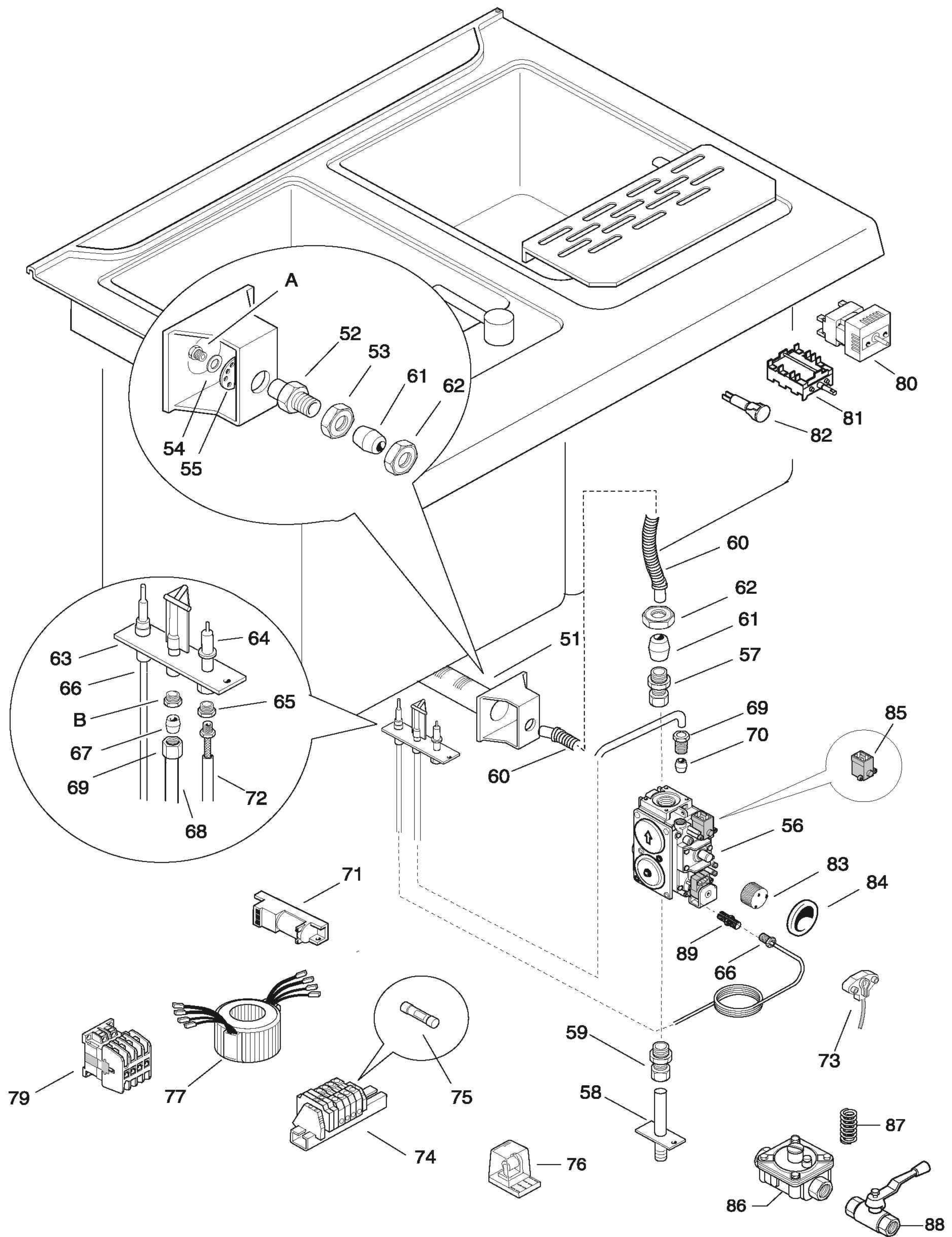
PNC	Model	Ref.	Notes
200 396	KCP/G1U	a	Gas Pasta Cooker 40L 400MM USA
200 372	KCP/G1RU	b	Gas Pasta Cooker Rapid System 40L 400MM USA
200 397	KCP/G2U	c	Gas Pasta Cooker 40+40L 800MM USA
200 373	KCP/G2RU	d	Gas Pasta Cooker 40+40L Rapid System 800MM USA

	Index	Indice
Pag. 1	Frame	Mobile
Pag. 2	Functional components	Componenti funzionali
Pag. 3	Water system/Boiler	Impianto acqua/Boiler
Pag. 4 - 5 - 6	Spare parts list	Lista ricambi

Brand / Marchio : Zanussi
Factory code: 9PDX



Cuocipasta Gas N900
Gas Pasta Cooker N900



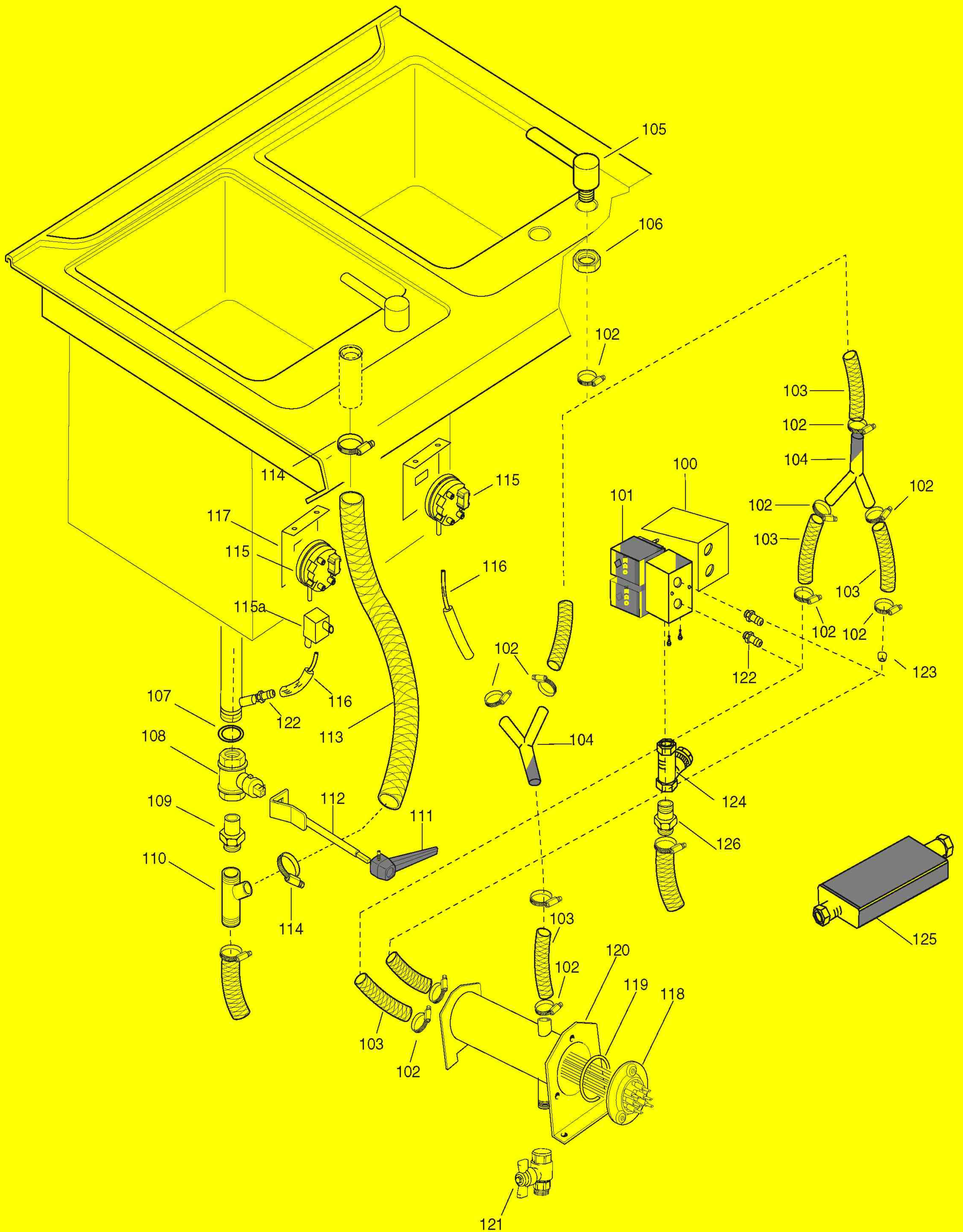
A - Ugello bruciatore / Burner nozzle

6DGT Code	Ref. / Notes		
05549	ø2.15	ANSI CGA	G20 10mbar / 10"wc
055388	ø3.30	ANSI CGA	G31 25mbar / 4"wc

B - Ugello pilota / Pilot nozzle

6DGT Code	Ref. / Notes		
054038	n°45 2 holes	ANSI CGA	G20 10mbar / 10"wc
054286	n°24	ANSI CGA	G31 25mbar / 4"wc

Cuocipasta Gas N900
Gas Pasta Cooker N900



Cuocipasta Gas N900
Gas Pasta Cooker N900