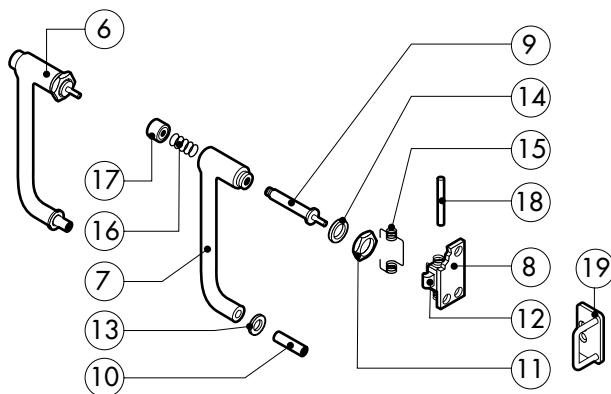
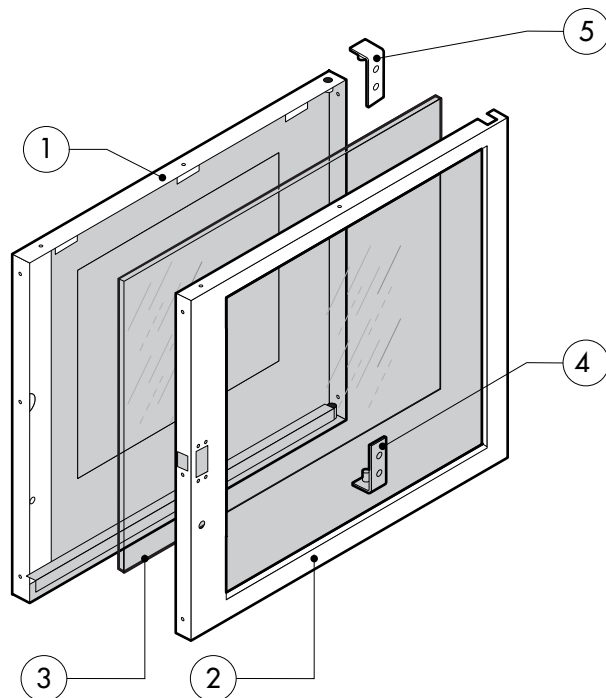
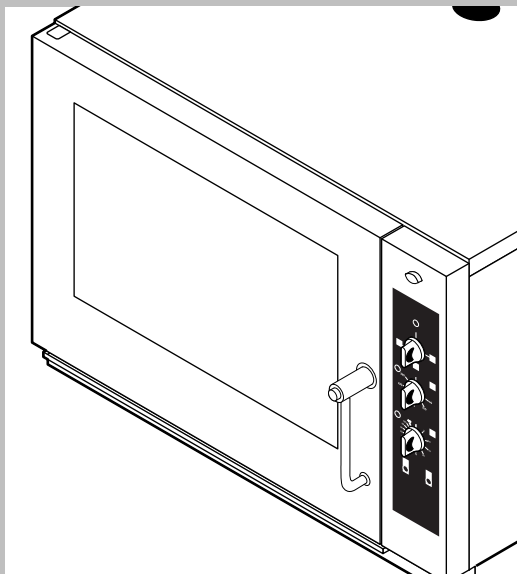


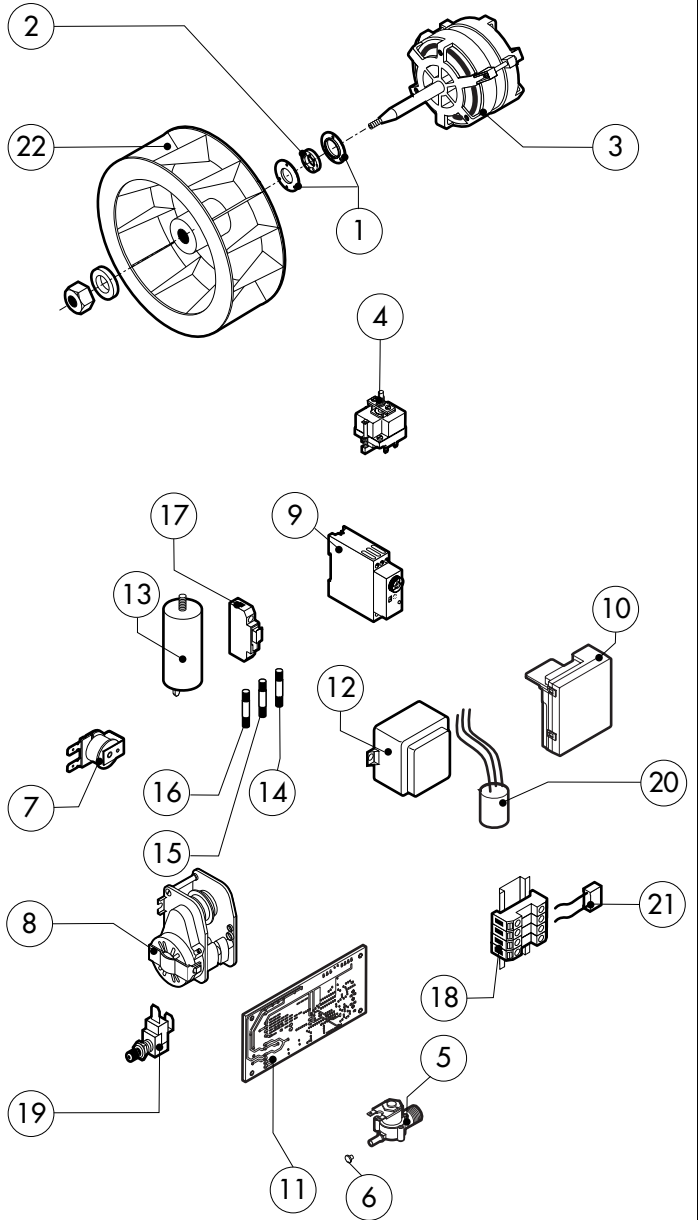
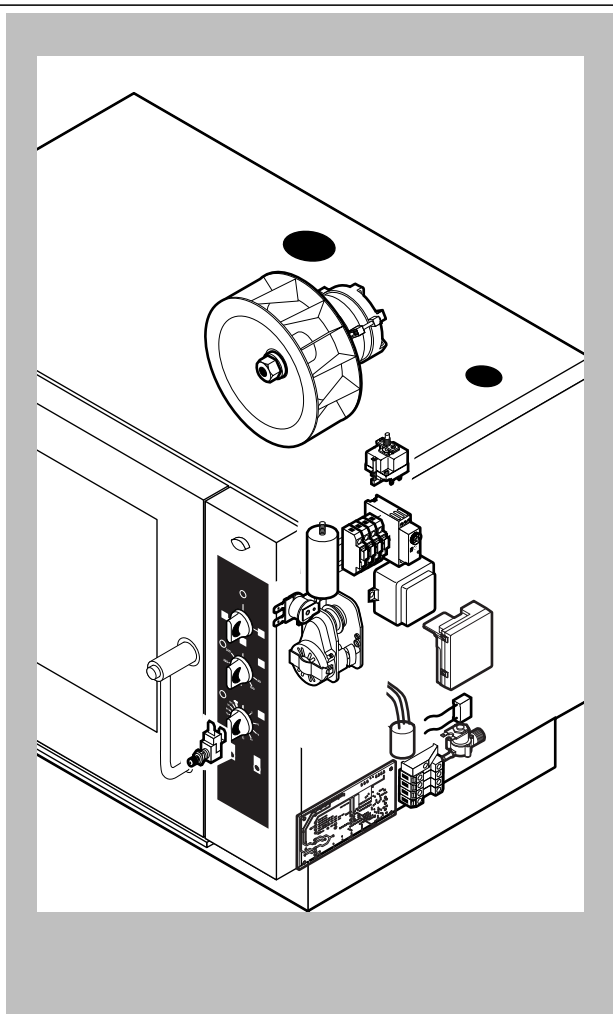
| POS. | CODE      | PIECES | DESCRIPTION               |
|------|-----------|--------|---------------------------|
| 1    | R18100010 | 1      | DOOR ASSEMBLY             |
| 2    | R18201110 | 1      | CONTROL PANEL             |
| 3    | R18200540 | 1      | SPRITZER EXTENSION        |
| 4    | R18201430 | 1      | SPRITZER UNION            |
| 5    | R18100330 | 1      | COOKING CABINET ASSEMBLY  |
| 6    | R65270510 | 1      | LAMP COVER                |
| 7    | R18402080 | 1      | FAN GUARD PANEL ASSEMBLY  |
| 8    | R18402170 | 2      | SIDE PANEL                |
| 9    | R18402160 | 1      | REAR PANEL                |
| 10   | R18403530 | 1      | COVER PANEL               |
| 11   | R18404000 | 1      | DRAINAGE PIPE PROTECTION  |
| 12   | R58006400 | 2      | FAN GUARD FASTENING SCREW |
| 13   | R70044340 | 1      | FRONT GASKET              |
| 14   | R17200340 | 2      | REMOVABLE RACK            |
|      |           |        |                           |
|      |           |        |                           |
|      |           |        |                           |
|      |           |        |                           |
|      |           |        |                           |

| POS. | CODE | PIECES | DESCRIPTION |
|------|------|--------|-------------|
|      |      |        |             |
|      |      |        |             |
|      |      |        |             |
|      |      |        |             |
|      |      |        |             |
|      |      |        |             |
|      |      |        |             |
|      |      |        |             |
|      |      |        |             |
|      |      |        |             |
|      |      |        |             |
|      |      |        |             |
|      |      |        |             |
|      |      |        |             |



| POS. | CODE      | PIECES | DESCRIPTION                         |
|------|-----------|--------|-------------------------------------|
| 1    | R18200930 | 1      | DOOR                                |
| 2    | R18402310 | 1      | INNER DOOR PANEL                    |
| 3    | R71201330 | 1      | FRONTAL DOOR GLASS                  |
| 4    | R18201260 | 1      | LOWER DOOR HINGE                    |
| 5    | R18201270 | 1      | UPPER DOOR HINGE                    |
| 6    | R69015000 | 1      | DOOR HANDLE ASSEMBLY                |
| 7    | R09200230 | 1      | DOOR HANDLE                         |
| 8    | R10100110 | 1      | PRONG FLANGE                        |
| 9    | R58003240 | 1      | DOOR HANDLE BUTTON ROD              |
| 10   | R58004270 | 1      | DOOR HANDLE SPACER                  |
| 11   | R58004830 | 1      | RING NUT M18x1                      |
| 12   | R58005050 | 1      | DOOR HANDLE PRONG                   |
| 13   | R58005340 | 1      | DOOR HANDLE LOWER INSULATION WASHER |
| 14   | R58005350 | 1      | DOOR HANDLE UPPER INSULATION WASHER |
| 15   | R61620012 | 1      | DOOR HANDLE CATCH SPRING            |
| 16   | R61620041 | 1      | DOOR HANDLE BUTTON SPRING           |
| 17   | R69031190 | 1      | DOOR HANDLE PUSH BUTTON             |
| 18   | R58002160 | 1      | DOOR HANDLE PRONG PIN               |
| 19   | R18200940 | 1      | DOOR HANDLE PRONG COUPLER           |

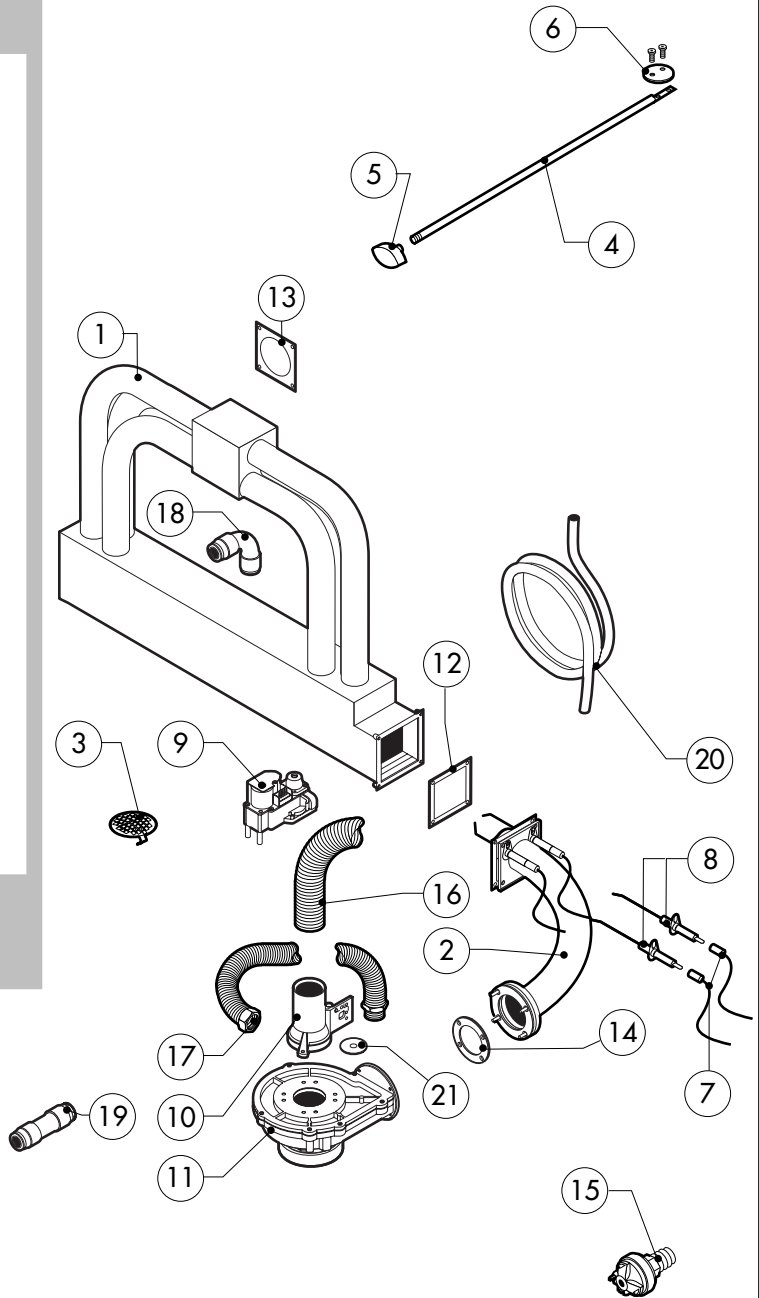
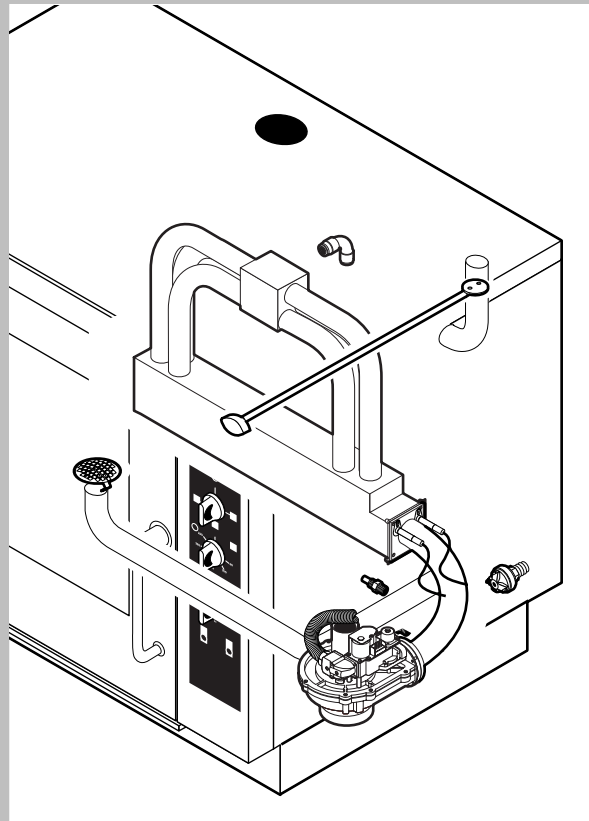
| POS. | CODE | PIECES | DESCRIPTION |
|------|------|--------|-------------|
|      |      |        |             |
|      |      |        |             |
|      |      |        |             |
|      |      |        |             |
|      |      |        |             |
|      |      |        |             |
|      |      |        |             |
|      |      |        |             |
|      |      |        |             |
|      |      |        |             |
|      |      |        |             |
|      |      |        |             |
|      |      |        |             |
|      |      |        |             |
|      |      |        |             |
|      |      |        |             |
|      |      |        |             |
|      |      |        |             |
|      |      |        |             |
|      |      |        |             |
|      |      |        |             |
|      |      |        |             |
|      |      |        |             |



| POS. | CODE       | PIECES | DESCRIPTION                  |
|------|------------|--------|------------------------------|
| 1    | R58005500  | 1      | MOTOR GASKET BRASS FLANGE    |
| 2    | R70020020  | 1      | MOTOR GASKET                 |
| 3    | *R65041000 | 1      | MOTOR 200W                   |
| 4    | R65070350  | 1      | CHAMBER SAFETY THERMOSTAT    |
| 5    | R65110200  | 1      | SOLENOID VALVE 220V 50HZ     |
| 6    | R65110500  | 1      | 10 LT/H WATER FLOW REDUCER   |
| 7    | R65330010  | 1      | BUZZER                       |
| 8    | R65090190  | 1      | REVERSING SWITCH 8"          |
| 9    | R65090450  | 1      | S.GENERATOR DRAIN TIMER      |
| 10   | R63060120  | 1      | BURNER IGNITION PANEL        |
| 11   | R63130020  | 1      | GAS BURNER FAN MOTOR PCBOARD |
| 12   | R65180770  | 1      | TRANSFORMER 50VA             |
| 13   | *R65190180 | 1      | CAPACITOR 10 µF              |
| 14   | R65200200  | 1      | FUSE 2A                      |
| 15   | R65200120  | 1      | FUSE 1A                      |
| 16   | R65200040  | 1      | FUSE 0.500A (T)              |
| 17   | R65210020  | 3      | FUSE CARRIER                 |
| 18   | R65220090  | 1      | TERMINAL BOARD               |
| 19   | R65260540  | 1      | DOOR SWITCH                  |

| POS. | CODE       | PIECES | DESCRIPTION               |
|------|------------|--------|---------------------------|
| 20   | *R65280200 | 1      | INTERFERENCE SUPPRESSOR   |
| 21   | *R65280130 | 1      | INTERFERENCE SUPPRESSOR   |
| 22   | *R75400410 | 1      | FAN Ø 180x77/12 50HZ P.D. |

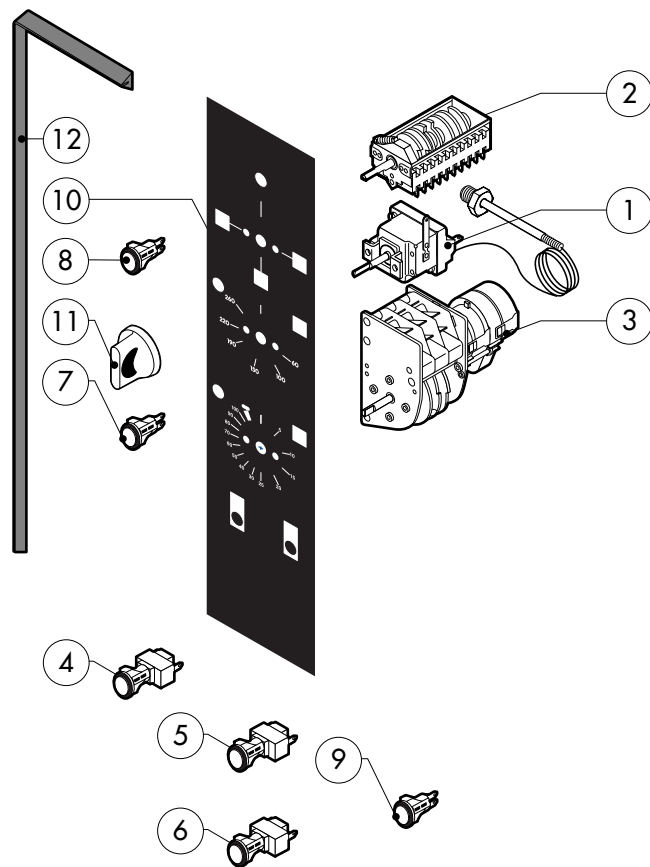
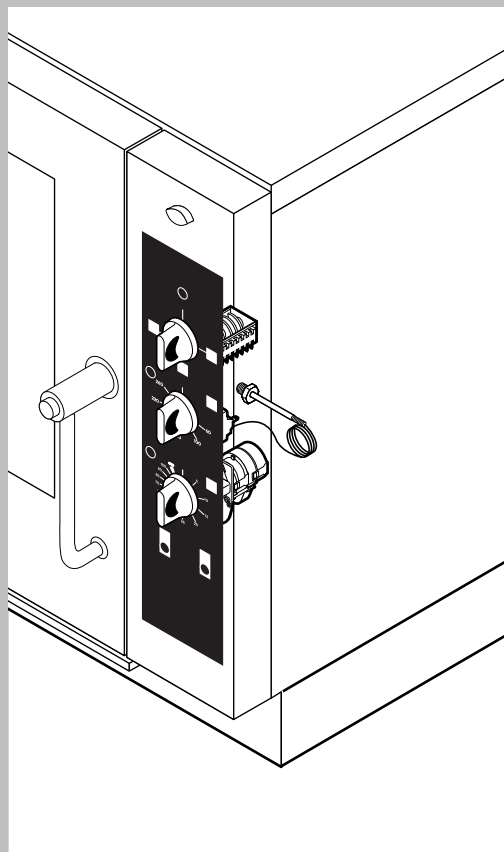
\*COMPONENT SUBMITTED TO CHANGEMENTS CAUSED BY TENSION DIFFERENT FROM THE STANDARD (3N AC400V 50HZ)



| POS. | CODE      | PIECES | DESCRIPTION                             |
|------|-----------|--------|---|
| 1    | R18201491 | 1      | HEAT EXCHANGER ACCESSORIES INCLUDED     |
| 2    | R18201570 | 1      | BURNER ASSEMBLY                         |
| 3    | R09201820 | 1      | DRAIN FILTER                            |
| 4    | R58003780 | 1      | CHAMBER VENT ROD                        |
| 5    | R69010410 | 1      | STEAM OUTLET KNOB                       |
| 6    | R18400940 | 1      | CHAMBER VENT PLATE                      |
| 7    | R66110370 | 1      | FLAME IGNITION CABLE/FLAME SENSOR CABLE |
| 8    | R63050070 | 2      | IGNITOR                                 |
| 9    | R63020170 | 1      | GAS SOLENOID VALVE                      |
| 10   | R63120020 | 1      | VENTURI TUBE                            |
| 11   | R63130010 | 1      | GAS BURNER FAN MOTOR                    |
| 12   | R63140000 | 2      | BURNER/HEAT EXCHANGER GASKET            |
| 13   | R63140010 | 2      | HEAT EXCHANGER GASKET                   |
| 14   | R63140050 | 1      | BURNER/FAN MOTOR GASKET                 |
| 15   | R63070010 | 1      | GAS SAFETY PRESSURE SWITCH PG 901.61    |
| 16   | R77700046 | 1      | AIR INLET FLEXIBLE PIPE                 |
| 17   | R62180082 | 1      | GAS INLET FLEXIBLE PIPE                 |
| 18   | R62090478 | 1      | ELBOW MIDLING PIPE FITTING D.10         |
| 19   | R62090458 | 1      | STRAIGHT MIDLING PIPE FITTING D.10      |

| POS. | CODE      | PIECES | DESCRIPTION                                   |
|------|-----------|--------|---|
| 20   | R70070070 | 1      | PE D.10 MM X7 WATER FLEXIBLE PIPE (1 MT LONG) |
| 21   | R58004170 | 1      | ORIFICE (FOR VERSION LIQUID GAS)              |
|      |           |        |   |
|      |           |        |   |
|      |           |        |   |
|      |           |        |   |
|      |           |        |   |
|      |           |        |   |
|      |           |        |   |
|      |           |        |   |
|      |           |        |   |
|      |           |        |   |
|      |           |        |   |
|      |           |        |   |
|      |           |        |   |
|      |           |        |   |
|      |           |        |   |
|      |           |        |   |

\*COMPONENT SUBMITTED TO CHANGEMENTS CAUSED BY TENSION DIFFERENT FROM THE STANDARD (3N AC400V 50HZ)



| POS. | CODE      | PIECES | DESCRIPTION                 |
|------|-----------|--------|-----------------------------|
| 1    | R65070360 | 1      | CABINET THERMOSTAT 0°/300°C |
| 2    | R65080010 | 1      | MAIN SELECTOR SWITCH        |
| 3    | R65090020 | 1      | TIMER                       |
| 4    | R65260600 | 1      | SWITCH                      |
| 5    | R65260610 | 1      | HUMIDIFIER PUSH BUTTON      |
| 6    | R65260620 | 1      | RESTORATION PUSH BUTTON     |
| 7    | R65270150 | 2      | ORANGE INDICATING LIGHT     |
| 8    | R65270160 | 1      | GREEN INDICATING LIGHT      |
| 9    | R65270170 | 1      | RED INDICATING LIGHT        |
| 10   | R67013410 | 1      | PLATE                       |
| 11   | R69030170 | 3      | KNOB                        |
| 12   | R70042960 | 1      | CONTROL PANEL GASKET        |
|      |           |        |                             |
|      |           |        |                             |
|      |           |        |                             |
|      |           |        |                             |
|      |           |        |                             |
|      |           |        |                             |
|      |           |        |                             |
|      |           |        |                             |
|      |           |        |                             |
|      |           |        |                             |
|      |           |        |                             |

| POS. | CODE | PIECES | DESCRIPTION |
|------|------|--------|-------------|
|      |      |        |             |
|      |      |        |             |
|      |      |        |             |
|      |      |        |             |
|      |      |        |             |
|      |      |        |             |
|      |      |        |             |
|      |      |        |             |
|      |      |        |             |
|      |      |        |             |
|      |      |        |             |
|      |      |        |             |
|      |      |        |             |
|      |      |        |             |
|      |      |        |             |