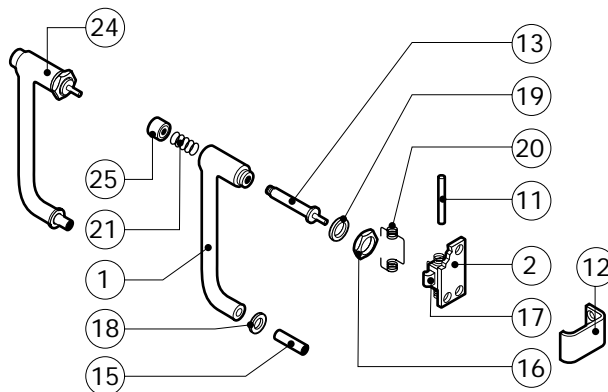
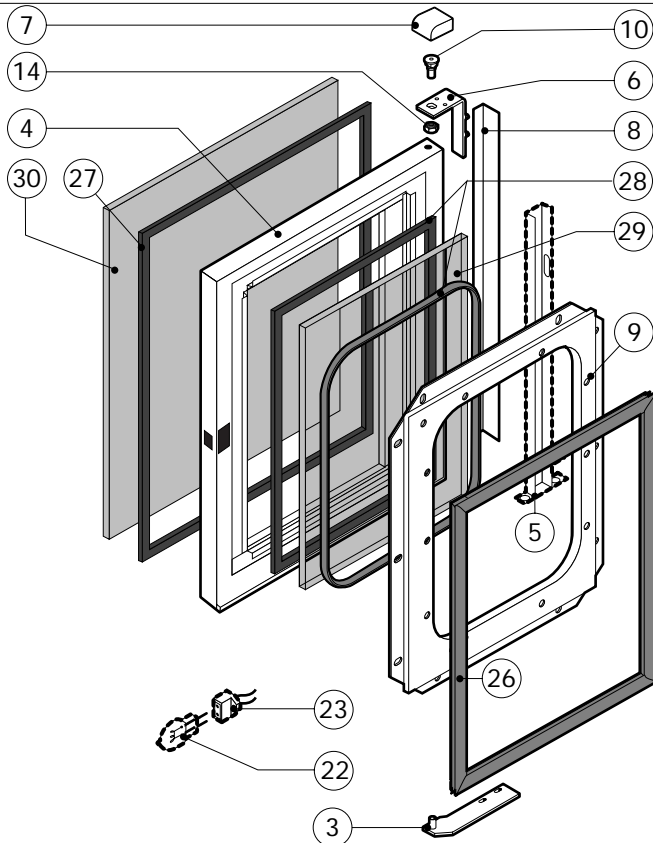
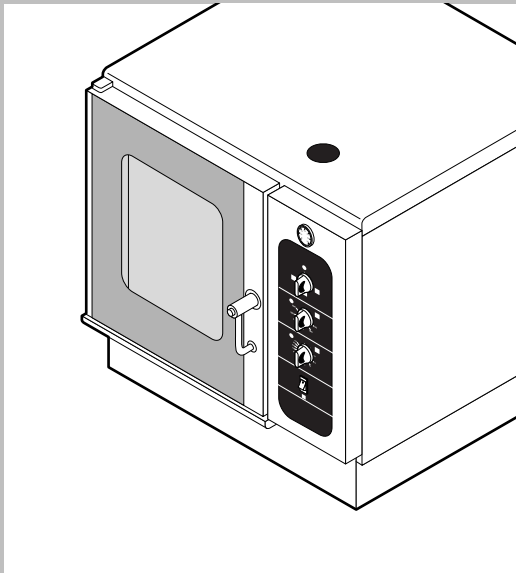


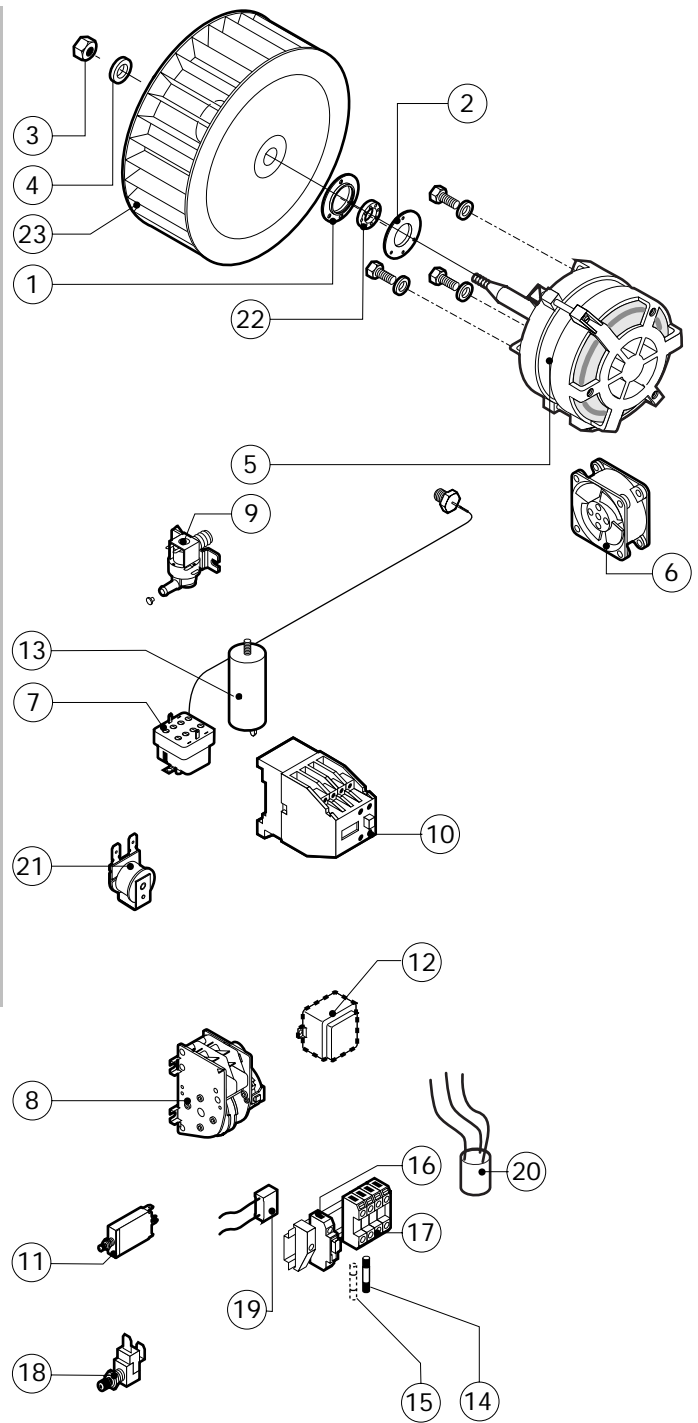
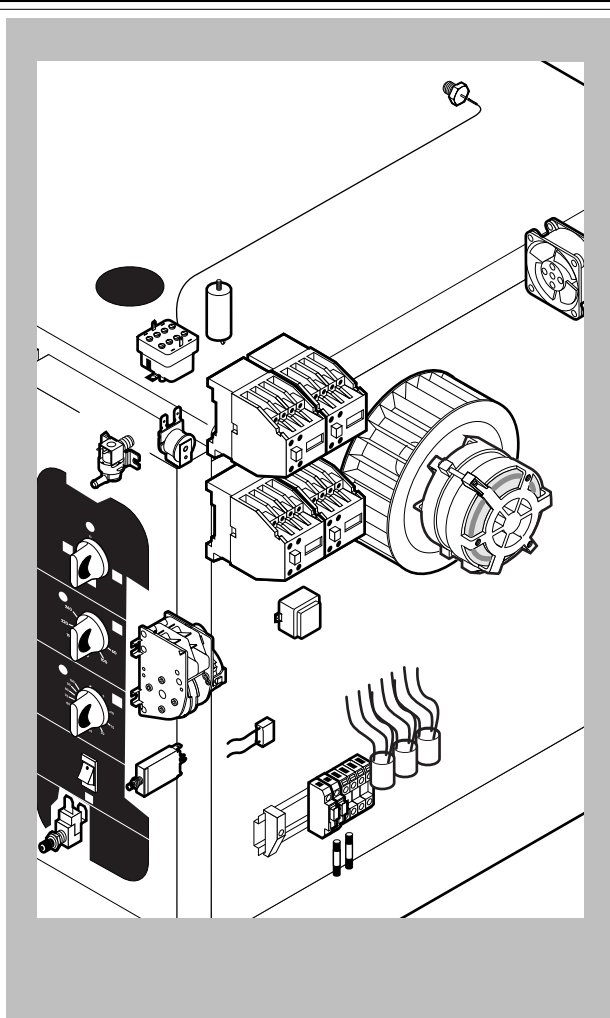
POS.	CODE	PIECES	DESCRIPTION
1	R10206470	1	SPRITZER EXTENSION
2	R10206540	1	SPRITZER UNION
3	R14100200	1	DOOR ASSEMBLY
4	R14100300	1	DOOR ASSEMBLY WITH LIGHTS
5	R14200010	1	COOKING CABINET ASSEMBLY
6	R14200370	1	COVER PANEL
7	R14200850	1	FAN GUARD PANEL ASSEMBLY
8	R14201450	1	RIGHT SIDE PANEL
9	R14201460	1	LEFT SIDE PANEL
10	R14201600	1	REAR PANEL
11	R14401390	1	CONTROL PANEL
12	R58006400	4	FAN GUARD FASTENING SCREW
13	R70042860	1	FRONT GASKET
14	R75300020	1	FAN GUARD GRID Ø 120
15	R75300030	1	FAN GUARD GRID Ø 190

POS.	CODE	PIECES	DESCRIPTION



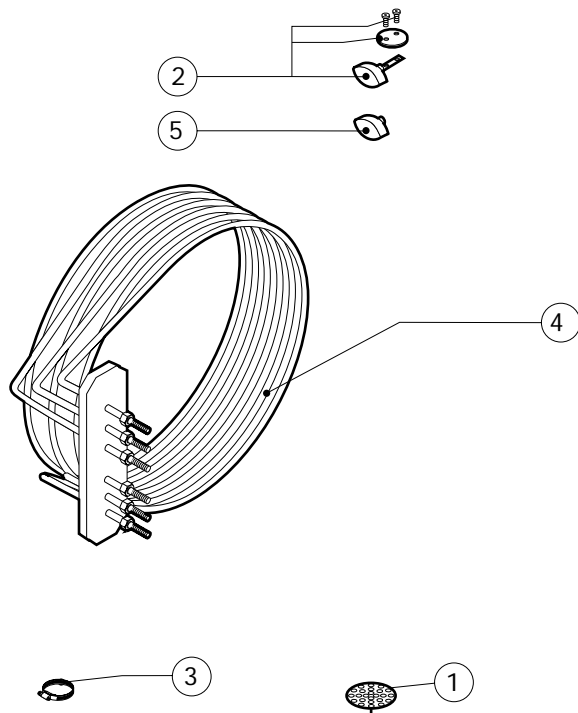
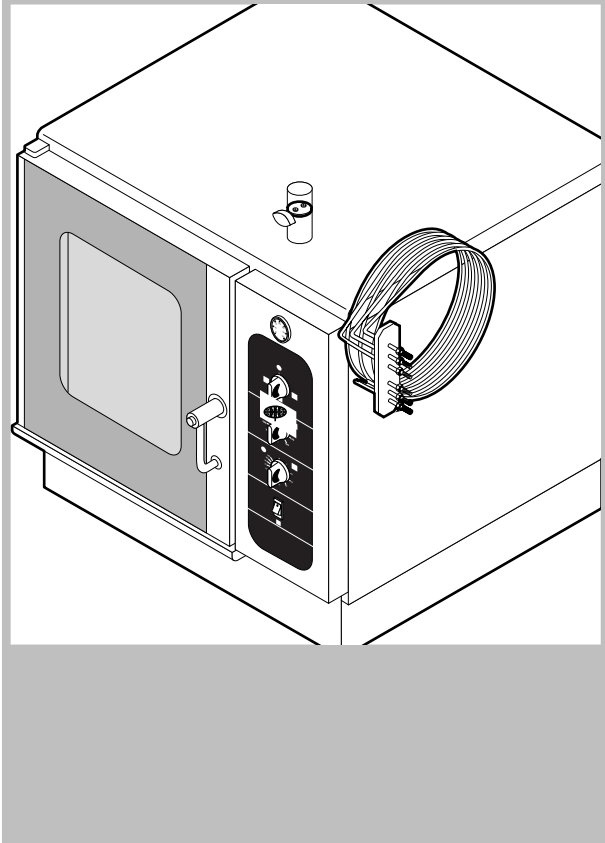
POS.	CODE	PIECES	DESCRIPTION
1	R09200230	1	DOOR HANDLE
2	R10100110	1	PRONG FLANGE
3	R12212250	1	LOWER DOOR HINGE
4	R14200700	1	DOOR
5	R14200780	1	LEFT LAMP COVER
6	R14200820	1	UPPER DOOR HINGE
7	R14200830	1	DOOR HINGE COVER
8	R14400560	1	LEFT GLASS FIXING BRACKET
9	R14400570	1	INNER DOOR PANEL
10	R58002150	1	HINGE PIN
11	R58002160	1	DOOR HANDLE PRONG PIN
12	R58002760	1	DOOR HANDLE PRONG COUPLER
13	R58003500	1	DOOR HANDLE BUTTON ROD
14	R58004050	1	NUT FOR UPPER DOOR HINGE
15	R58004320	1	DOOR HANDLE SPACER
16	R58004830	1	RING NUT M18x1
17	R58005050	1	DOOR HANDLE PRONG
18	R58005340	1	DOOR HANDLE LOWER INSULATION WASHER
19	R58005350	1	DOOR HANDLE UPPER INSULATION WASHER

POS.	CODE	PIECES	DESCRIPTION
20	R61620012	1	DOOR HANDLE CATCH SPRING
21	R61620041	1	DOOR HANDLE BUTTON SPRING
22	R65270020	1	LIGHT 20W 12V G4
23	R65270400	1	LIGHT SOCKET
24	R69015080	1	DOOR HANDLE ASSEMBLY
25	R69031190	1	DOOR HANDLE PUSH BUTTON
26	R70042560	1	DOOR GASKET
27	R70042660	1	FRONT GLASS GASKET
28	R70042760	1	REAR GLASS GASKET
29	R71200070	1	DOOR GLASS
30	R71200720	1	DOOR GLASS



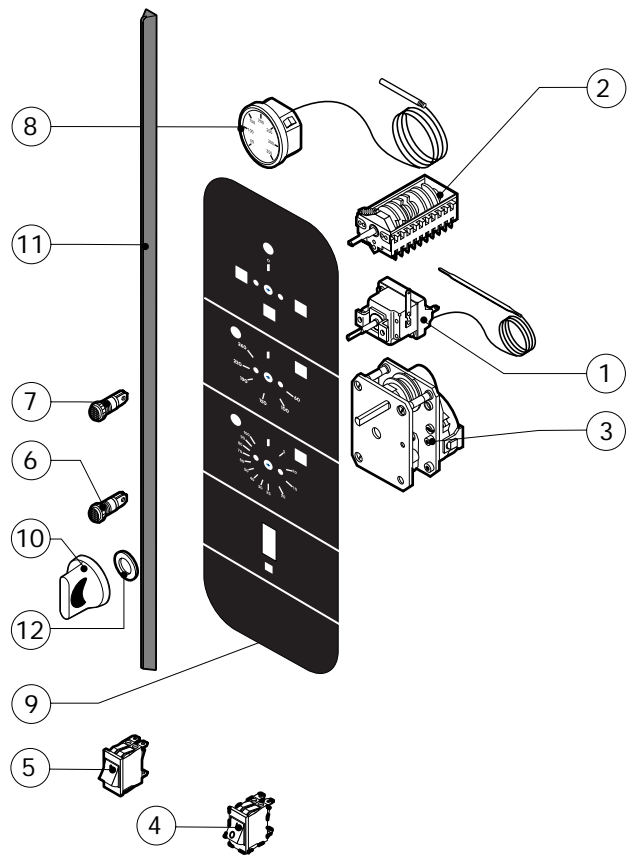
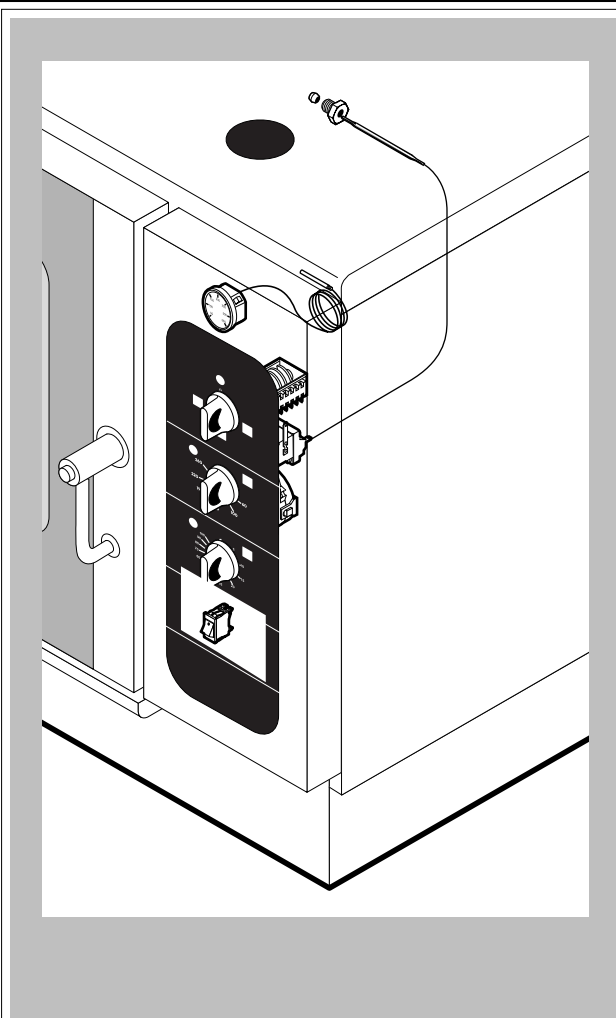
POS.	CODE	PIECES	DESCRIPTION
1	R58003860	1	MOTOR GASKET BRASS FLANGE
2	R58003870	1	MOTOR GASKET BRASS COUNTER FLANGE
3	R58004020	1	FAN SECURITY NUT M10 SX
4	R61400052	1	FAN WASHER Ø 21/10.5
5	R65040420	1	MOTOR 0.37 KW KIT
6	R65060050	1	COMPONENTS VENTILATION MOTOR Ø 120
7	R65070070	1	CHAMBER SAFETY THERMOSTAT
8	R65090190	1	REVERSING SWITCH 8'
9	R65115120	1	SOLENOID VALVE 220V 50HZ WITH FLOW REDUCER
10	R65140150	4	CONTACTOR 3TF4011-OAUG 240V
11	R65160310	1	TERMIC PROTECTION T12-2115-2.5A
12	R65180420	1	TRANSFORMER 20VA
13	R65190180	1	CAPACITOR 10 µF
14	R65200200	1	FUSE 2A
15	R65200320	1	FUSE 0.2A (T)
16	R65210020	2	FUSE CARRIER
17	R65220090	1	TERMINAL BOARD
18	R65260540	1	DOOR SWITCH
19	R65280130	1	INTERFERENCE SUPPRESSOR

POS.	CODE	PIECES	DESCRIPTION
20	R65280200	3	INTERFERENCE SUPPRESSOR
21	R65330010	1	BUZZER
22	R70020040	1	MOTOR GASKET
23	R75400400	1	FAN Ø 220x78/12 50HZ P.D. KIT



POS.	CODE	PIECES	DESCRIPTION
1	R10201700	1	DRAIN FILTER
2	R14201410	1	STEAM OUTLET THROTTLE ASSEMBLY
3	R61630011	2	METAL CLAMPS 12-22/9
4	R65011540	1	CHAMBER HEATING ELEMENT 7500W
5	R69010410	1	STEAM OUTLET KNOB

POS.	CODE	PIECES	DESCRIPTION



POS.	CODE	PIECES	DESCRIPTION
1	R65070210	1	CABINET THERMOSTAT 50/270°C
2	R65080010	1	MAIN SELECTOR SWITCH
3	R65090020	1	TIMER
4	R65260050	1	SWITCH
5	R65260510	1	HUMIDIFIER PUSH BUTTON
6	R65270220	2	ORANGE INDICATING LIGHT
7	R65270230	1	GREEN INDICATING LIGHT
8	R65340050	1	THERMOMETER
9	R67401360	1	MARENO PLATE
10	R69030170	3	KNOB KIT
11	R70042960	1	CONTROL PANEL GASKET
12	R70050020	6	KNOB GASKET

POS.	CODE	PIECES	DESCRIPTION