

ABBATTITORI GASTRONOMIA MISTI
GASTRONOM BLAST CHILLERS AND
FREEZERS

GASTRONOMIE SCHNELLABKÜHLER UND
SCHOCKFROSTER

CELLULES DE
REFROIDISSEMENT/SURGELATION
RAPIDE POUR GASTRONOMIE

ABM101SJ2ITSIBB



**ESPLOSI – EXPLODED DRAWINGS
EXPLOSIONZEICHNUNGEN - VUE ECLATEE**

Codice XESH6X57C

Pagina 2

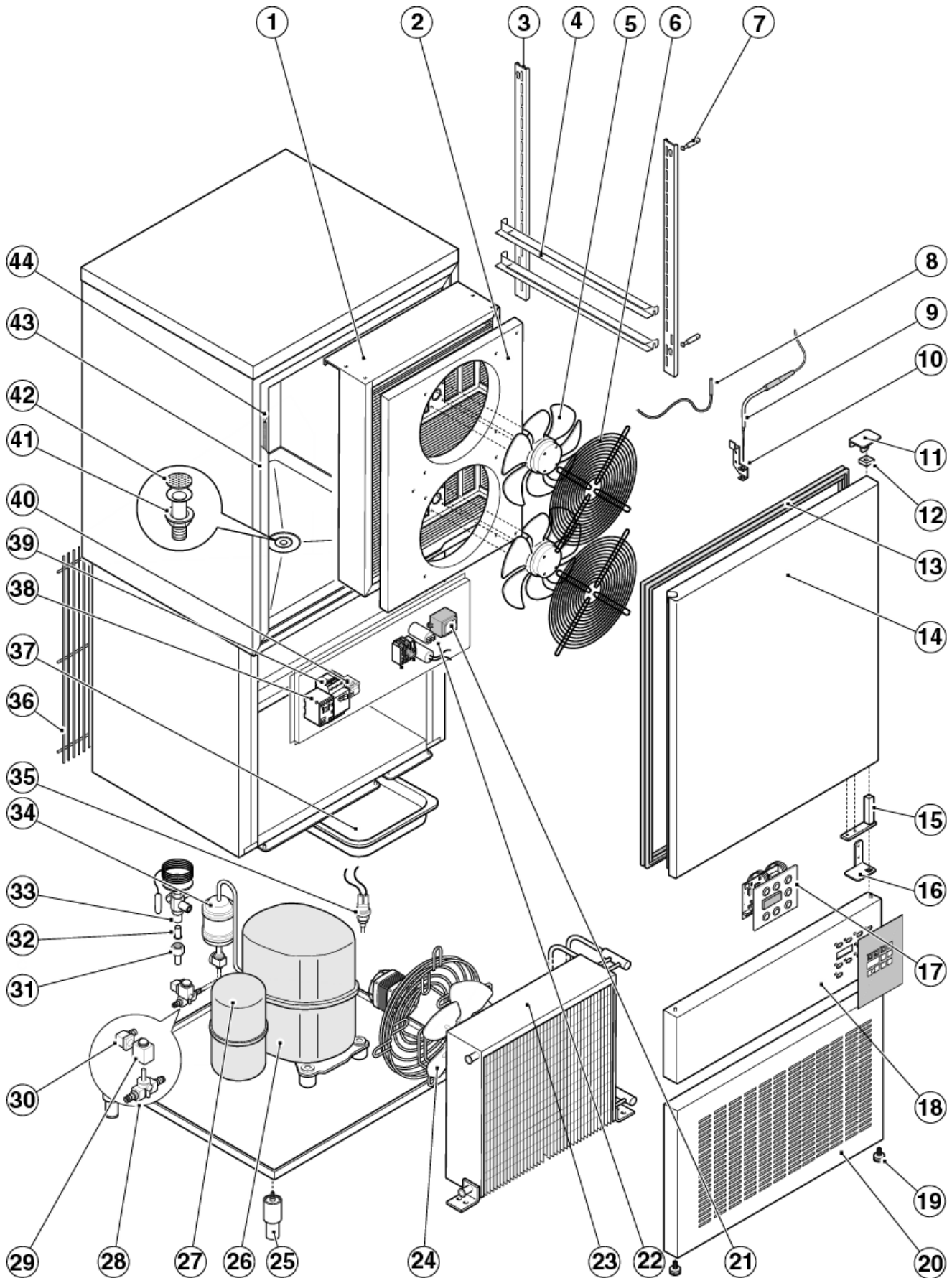
Verifica: Ufficio tecnico _____ De Cian

Emissione: Ufficio tecnico _____ De Cian

Approvazione: Direzione tecnica _____ Zambon

Copia controllata nr. _____

Copia non controllata



	COD.	REV.	DESCRIZIONE	DESCRIPTION	BESCHREIBUNG	DESCRIPTION
1	RA140021		EVAPORATORE	EVAPORATOR	VERDAMPFER	EVAPORATEUR
2	RF080022		CONVOGLIATORE VENTOLA D.315	FAN COVERING D.315	VENTILATORABDECKUNG D.315	COUVRE VENTILATEUR D.315
3	RG330023		CREMAGLIERA LATERALE SX	LEFT RACK	LINK ZAHNSTANGE	CREMAILLIERE GAUCHE
3a	RG330022		CREMAGLIERA LATERALE DX	RIGHT RACK	RECHT ZAHNSTANGE	CREMAILLIERE DROITE
4	RG490021		GUIDA CELLA GN	GRID SLIDE	SCHIENE	GLISSIERE GRILLE
5	RA880046	C	MOTOVENTILATORE A4E315-AC08-19	MOTOR FOR FAN A4E315-AC08-19	MOTOR FÜR VENTILATOR A4E315-AC08-19	MOTEUR VENTILATEUR A4E315-AC08-19
6	RA170059		GRIGLIA PROTEZIONE VENTOLA 315 "V"	PROTECTION GRID FOR FAN 315 "V"	SCHUTZGITTER FÜR VENTILATEUR 315 "V"	GRILLE PROTECTION VENTILATEUR 315 "V"
7	RA470020		PERNO CREMAGLIERA GN D.14	HINGE RACK HOLDER GN D.14	ZAPFEN HÄNGER FÜR ZAHNSTANGE GN D.14	PIVOT DE SUPPORT CREMAILLIERE GN D.14
8	RA932001	C	SONDA PTC L.2600 SILICONE	PROBE PTC L.2600	FUEHLER PTC L.2600	SONDE PTC L.2600
9	RA930013	C	SONDA AISI INFILZO S/RISCALDAMENTO	CORE PROBE	KERNFUEHLER	SONDE AU COEUR
OPT	RA930012	C	SONDA AISI INFILZO CON RISCALDAMENTO	CORE PROBE	KERNFUEHLER	SONDE AU COEUR
10	RG830147		SUPPORTO SONDA	PROBE SUPPORT FOR PRICKER PROBE	FUEHLERHALTER FÜR NADELFUEHLER	PORTE-SONDE POUR AGUILLE
11	RG810022		SUPPORTO BOCCOLA CERNIERA	LOWER HINGE	UNTERES SCHARNIER	CHARNIERE INFERIEUR
12	RA050006		BOCCOLA NYLON CERNIERA	BUSH FOR DOOR HINGE	BUCHSE FÜR DER TUER	DOUILLE POUR CHARNIERE PORTE
13	RA190070		GUARNIZIONE MAGNETICA PORTA	SEAL	DICHTUNG	GARNITURE
14	RB100025		ASSIEME PORTA	DOOR	TÜR	PORTE
15	RA051007		CERNIERA AUTOCHIUDENTE	HINGE PIVOT	SCHARNIER PIVOT	CHARNIERE PIVOT
16	RG810021		SUPPORTO CERNIERA	HINGE HOLDER	SCHARNIER HALTER	SUPPORT CHARNIERE
17	RA910071	C	SCHEDA TASTIERA STD	CARD FOR REDUCED KEYBOARD	PLATINE FÜR REDUZIERTE TASTATUR	FICHE CLAVIER POUR PLATINE
18	RF360105		ASSIEME CRUSCOTTO	FRONT PANEL	VORDERPANEEL	PANNEAU FRONTAL
19	RA919000		VOLANTINO ZIGRINATO M5x1	THREAD WHEEL M5x1	RAENDELHANDRAD M5x1	VOLANT MOLETE M5x1
20	RG350068		MASCHERINA ANTERIORE	KEYBOARD PLATE	TASTATURFOLIE	MASQUE PLATINE
21	RA960006		TRASFORMATORE 6VA 230/12V	6VA 230/12V TRANSFORMER	TRANSFORMATOR 6VA 230/12V	TRANSFORMATEUR 6VA 230/12V
OPT	RA960002		TRASFORMATORE 20VA 230/12V	220-12V TRANSFORMER	TRANSFORMATOR 220-12V	TRANSFORMATEUR 220-12V
22	RA860003		CONDENSATORE 3MF	CONDENSER 3MF	KONDENSER 3MF	CONDENSATEUR 3MF
23	RA090046		CONDENSATORE LUVE STFT 242435 STD	CONDENSER LUVE 242435 STD	KONDENSATOR LUVE 242435 STD	CONDENSATEUR LUVE 242435 STD
24	RA880051	C	GRP.MOTOVENTILATORE ZIEHL D330 4P/S	MOTOR FAN ZIEHL D330 4P/S	MOTOR VENTILATOR ZIEHL D330 4P/S	MOTEUR VENTILATEUR ZIEHL D330 4P/S
25	RA590010		ASSIEME PIEDINO 1"3/4 H=200	FOOT SUPPORT + FOOT 1"3/4 H=200	FUSSHALTER + FUSS 1"3/4 H=200	SUPPORT PIED + PIED 1"3/4 H=200
26	RA073014	C	COMPRESSORE UH TFH2511Z	COMPRESSOR	KOMPRESSOR	COMPRESSEUR
27	RA014103		RICEVITORE LIQUIDO 2,9L	LIQUID RESERVE 2,9L	FLUESSIGKEITRESERVE 2,9L	RECEPTEUR DE LIQUIDE 2,9L
28	RA714014		VALVOLA SOLENOIDE Ø10 CASTEL	CASTEL SOLENOIDE VALVE Ø10	CASTEL SOLENOID-VENTIL Ø10	SOUPAPE SOLENOIDE Ø10 CASTEL
29	RA714012	C	BOBINA TIPO HM2	COIL HM2 FOR SOLENOIDE VALVE	SPUL HM2 FÜR SOLENOID-VENTIL	BOBINE HM2 POUR SOUPAPE SOLENOIDE
30	RA714017		CONNETTORE PG11 PER VALVOLA SOLENOIDE	CONNECTOR PG11 FOR SOLENOIDE VALVE	VERBINDER PG11 FÜR SOLENOID-VENTIL	CONNECTEUR PG11 POUR SOUPAPE SOLENOIDE
31	RA716502		ADATTATORE A BRASARE	ADAPTER FOR T-TE D.6	ADAPTER FÜR T-TE D.6	ADAPTEUR POUR T-TE D.6
32	RA716019		ORIFICIO N° 03 C/FILTRO	ORIFICE N° 3 WITH FILTER	OEFFNUNG N° 3 MIT FILTER	ORIFICE N° 3 AVEC FILTRE
33	RA715008		CORPO VALVOLA TERMOSTATICA TES2 NL MOP-10 R404A	VALVE BODY TES2 R404A	VENTILKORPER TES2 R404A	CORPS SOUPAPE TES2 R404A
34	RA012005		FILTRO CASTEL 4308/M10S	CASTEL 4308/M10S FILTER	FILTER CASTEL 4308/M10S	FILTRE CASTEL 4308/M10S
35	RA953008		PRESSOSTATO DANFOSS	PRESSURE SWITCH	DRUCKWAECHTER	PRESSOSTAT
36	RA170060		PROTEZIONE POSTERIORE	PROTECTION GRILL	HINTERER SCHUTZ	PROTECTION POSTERIEURE
37	0102343		BACINELLA PLASTICA GN 1/1	PLASTIC VESSEL GN 1/1	PLASTIC BEHALTER GN 1/1	CUVE EN PLASTIQUE GN 1/1

38	RA890027		CONTATTORE SIRIUS 3RT101	ELECTROMAGNETIC SWITCH	FERNSCHALTER	TELERUPTEUR
39	RA949001		INTERRUTTORE AUTOMATICO SIRIUS	AUTOMATIC SWITCH	SCHALTER	INTERRUPTEUR
40	RA890004	C	RELE' FINDER 62.82.82300	RELAIS FINDER 62.82.82300	RELAIS FINDER 62.82.82300	RELAIS FINDER 62.82.82300
41	RA651002		PILETTA SCARICO 1"	DRAIN STRAINER "1"	BECKENAUFLAUF "1"	CREPINE VIDANGE "1"
42	RG650005		GRIGLIETTA DI SCARICO	DRAIN GRILL	ABLAUF GITTER	GRILLE DE VIDANGE
43	RG190021		CONTROMAGNETE ORIZZONTALE	HORIZONTAL COUNTERMAGNET	WAAGERECHTER GEGENMAGNET	CONTRE-AIMANT HORIZONTAL
43a	RG190022		CONTROMAGNETE VERTICALE	VERTICAL COUNTERMAGNET	VERTIKALER GEGENMAGNET	CONTRE-AIMANT VERTICAL
44	RA900044		RESISTENZA ANTICONDENSA	FRAME RESISTANCE	WIDERSTAND RAHMEN	RESISTANCE CADRE

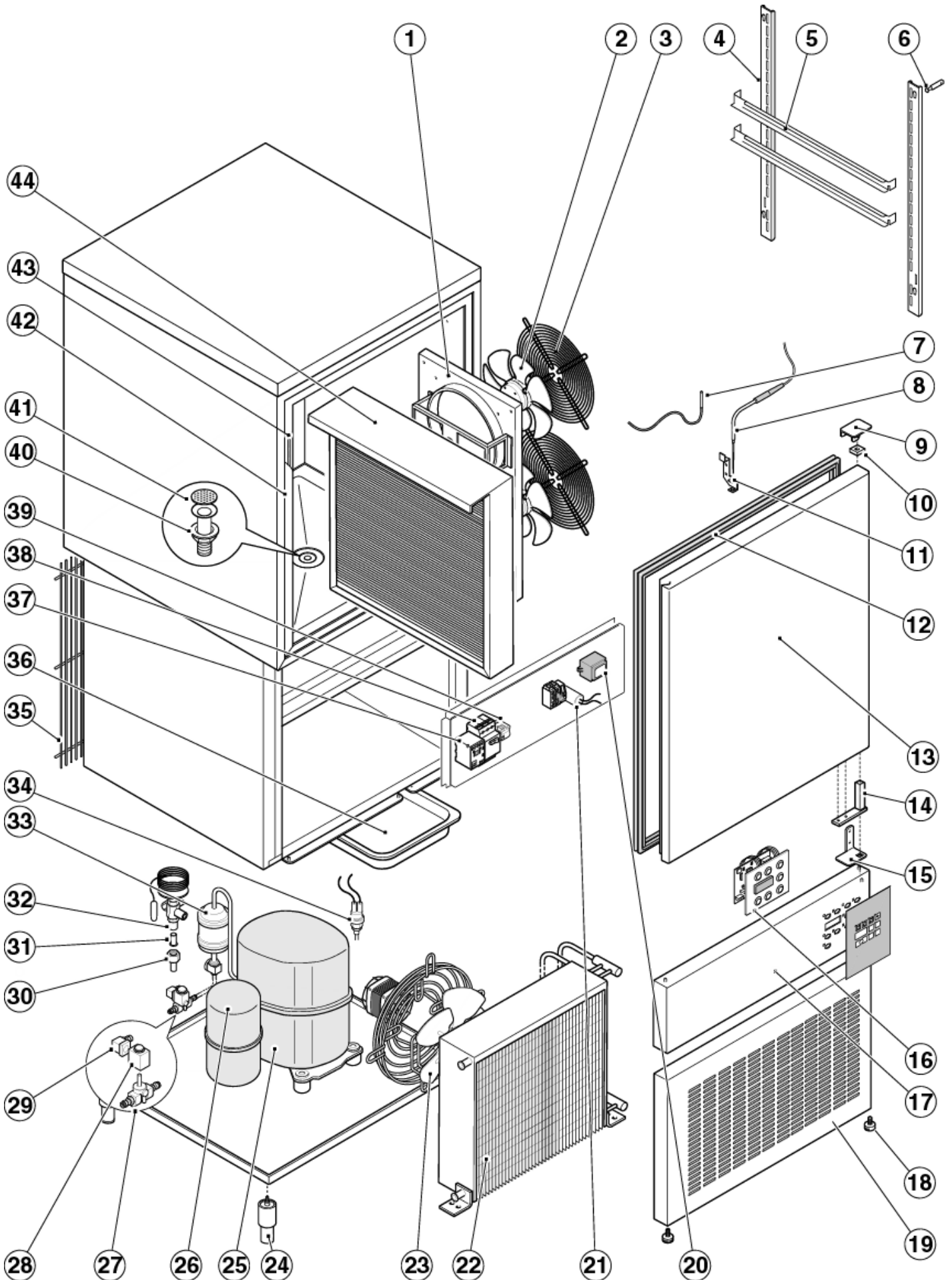


COD. XESH6X57C

PAG. 5

da matricola - from serial
Nr.

a matricola - to serial
Nr.



	COD.	REV.	DESCRIZIONE	DESCRIPTION	BESCHREIBUNG	DESCRIPTION
1	RF080022		CONVOGLIATORE VENTOLA D.315	FAN COVERING D.315	VENTILATORABDECKUNG D.315	COUVRE VENTILATEUR D.315
2	RA880046	C	MOTOVENTILATORE A4E315-AC08-19	MOTOR FOR FAN A4E315-AC08-19	MOTOR FÜR VENTILATOR A4E315-AC08-19	MOTEUR VENTILATEUR A4E315-AC08-19
3	RA170059		GRIGLIA PROTEZIONE VENTOLA 315 "V"	PROTECTION GRID FOR FAN 315 "V"	SCHUTZGITTER FÜR VENTILATEUR 315 "V"	GRILLE PROTECTION VENTILATEUR 315 "V"
4	RG330023		CREMAGLIERA LATERALE SX	LEFT RACK	LINK ZAHNSTANGE	CREMAILLIERE GAUCHE
4a	RG330022		CREMAGLIERA LATERALE DX	RIGHT RACK	RECHT ZAHNSTANGE	CREMAILLIERE DROITE
5	RG490028		GUIDA CELLA GN	GRID SLIDE	SCHIENE	GLISSIERE GRILLE
6	RA470020		PERNO CREMAGLIERA GN D.14	HINGE RACK HOLDER GN D.14	ZAPFEN HÄNGER FÜR ZAHNSTANGE GN D.14	PIVOT DE SUPPORT CREMAILLIERE GN D.14
7	RA932001	C	SONDA PTC L.2600 SILICONE	PROBE PTC L.2600	FUEHLER PTC L.2600	SONDE PTC L.2600
8	RA930013	C	SONDA AISI INFILZO S/RISCALDAMENTO	CORE PROBE	KERNFUEHLER	SONDE AU COEUR
OPT	RA930012	C	SONDA AISI INFILZO CON RISCALDAMENTO	CORE PROBE	KERNFUEHLER	SONDE AU COEUR
9	RG810022		SUPPORTO BOCCOLA CERNIERA	LOWER HINGE	UNTERES SCHARNIER	CHARNIERE INFERIEUR
10	RA050006		BOCCOLA NYLON CERNIERA	BUSH FOR DOOR HINGE	BUCHSE FÜR DER TUER	DOUILLE POUR CHARNIERE PORTE
11	RG830147		SUPPORTO SONDA	PROBE SUPPORT FOR PRICKER PROBE	FUEHLERHALTER FÜR NADELFUEHLER	PORTE-SONDE POUR AGUILLE
12	RA190070		GUARNIZIONE MAGNETICA PORTA	SEAL	DICHTUNG	GARNITURE
13	RB100021		ASSIEME PORTA	DOOR	TÜR	PORTE
14	RA051007		CERNIERA AUTOCHIUDENTE	HINGE PIVOT	SCHARNIER PIVOT	CHARNIERE PIVOT
15	RG810021		SUPPORTO CERNIERA	HINGE HOLDER	SCHARNIER HALTER	SUPPORT CHARNIERE
16	RA910071	C	SCHEDA TASTIERA STD	CARD FOR REDUCED KEYBOARD	PLATINE FÜR REDUZIERTE TASTATUR	FICHE CLAVIER POUR PLATINE
17	RF360105		ASSIEME CRUSCOTTO	FRONT PANEL	VORDERPANEEL	PANNEAU FRONTAL
18	RA919000		VOLANTINO ZIGRINATO M5x1	THREAD WHEEL M5x1	RAENDELHANDRAD M5x1	VOLANT MOLETE M5x1
19	RG350068		MASCHERINA ANTERIORE	KEYBOARD PLATE	TASTATURFOLIE	MASQUE PLATINE
20	RA960006		TRASFORMATORE 6VA 230/12V	6VA 230/12V TRANSFORMER	TRANSFORMATOR 6VA 230/12V	TRANSFORMATEUR 6VA 230/12V
OPT	RA960002		TRASFORMATORE 20VA 230/12V	220-12V TRANSFORMER	TRANSFORMATOR 220-12V	TRANSFORMATEUR 220-12V
21	RA860003		CONDENSATORE 3MF	CONDENSER 3MF	KONDENSER 3MF	CONDENSATEUR 3MF
22	RA090046		CONDENSATORE LUVE STFT 242435 STD	CONDENSER LUVE 242435 STD	KONDENSATOR LUVE 242435 STD	CONDENSATEUR LUVE 242435 STD
23	RA880051	C	GRP.MOTOVENTILATORE ZIEHL D330 4P/S	MOTOR FAN ZIEHL D330 4P/S	MOTOR VENTILATOR ZIEHL D330 4P/S	MOTEUR VENTILATEUR ZIEHL D330 4P/S
24	RA590010		ASSIEME PIEDINO 1"3/4 H=200	FOOT SUPPORT + FOOT 1"3/4 H=200	FUSSHALTER + FUSS 1"3/4 H=200	SUPPORT PIED + PIED 1"3/4 H=200
25	RA073014	C	COMPRESSORE UH TFH2511Z	COMPRESSOR	KOMPRESSOR	COMPRESSEUR
26	RA014103		RICEVITORE LIQUIDO 2,9L	LIQUID RESERVE 2,9L	FLUESSIGKEITRESERVE 2,9L	RECEPTEUR DE LIQUIDE 2,9L
27	RA714014		VALVOLA SOLENOIDE Ø10 CASTEL	CASTEL SOLENOIDE VALVE Ø10	CASTEL SOLENOID-VENTIL Ø10	SOUPAPE SOLENOIDE Ø10 CASTEL
28	RA714012	C	BOBINA TIPO HM2	COIL HM2 FOR SOLENOIDE VALVE	SPUL HM2 FÜR SOLENOID-VENTIL	BOBINE HM2 POUR SOUPAPE SOLENOIDE
29	RA714017		CONNETTORE PG11 PER VALVOLA SOLENOIDE	CONNECTOR PG11 FOR SOLENOIDE VALVE	VERBINDER PG11 FÜR SOLENOID-VENTIL	CONNECTEUR PG11 POUR SOUPAPE SOLENOIDE
30	RA716502		ADATTATORE A BRASARE	ADAPTER FOR T-TE D.6	ADAPTER FÜR T-TE D.6	ADAPTEUR POUR T-TE D.6
31	RA716019		ORIFICIO N° 03 C/FILTRO	ORIFICE N° 3 WITH FILTER	OEFFNUNG N° 3 MIT FILTER	ORIFICE N° 3 AVEC FILTRE
32	RA715008		CORPO VALVOLA TERMOSTATICA TES2 NL MOP-10 R404A	VALVE BODY TES2 R404A	VENTILKORPER TES2 R404A	CORPS SOUPAPE TES2 R404A
33	RA012005		FILTRO CASTEL 4308/M10S	CASTEL 4308/M10S FILTER	FILTER CASTEL 4308/M10S	FILTRE CASTEL 4308/M10S
34	RA953008		PRESSOSTATO DANFOSS	PRESSURE SWITCH	DRUCKWAECHTER	PRESSOSTAT
35	RA170060		PROTEZIONE POSTERIORE	PROTECTION GRILL	HINTERER SCHUTZ	PROTECTION POSTERIEURE
36	0102343		BACINELLA PLASTICA GN 1/1	PLASTIC VESSEL GN 1/1	PLASTIC BEHALTER GN 1/1	CUVE EN PLASTIQUE GN 1/1

37	RA890027		CONTATTORE SIRIUS 3RT101	ELECTROMAGNETIC SWITCH	FERNSCHALTER	TELERUPTEUR
38	RA949001		INTERRUTTORE AUTOMATICO SIRIUS	AUTOMATIC SWITCH	SCHALTER	INTERRUPTEUR
39	RA890004	C	RELE' FINDER 62.82.82300	RELAIS FINDER 62.82.82300	RELAIS FINDER 62.82.82300	RELAIS FINDER 62.82.82300
40	RA651002		PILETTA SCARICO 1"	DRAIN STRAINER "1"	BECKENAUFLAUF "1"	CREPINE VIDANGE "1"
41	RG650005		GRIGLIETTA DI SCARICO	DRAIN GRILL	ABLAUF GITTER	GRILLE DE VIDANGE
42	RG190021		CONTROMAGNETE ORIZZONTALE	HORIZONTAL COUNTERMAGNET	WAAGERECHTER GEGENMAGNET	CONTRE-AIMANT HORIZONTAL
42a	RG190022		CONTROMAGNETE VERTICALE	VERTICAL COUNTERMAGNET	VERTIKALER GEGENMAGNET	CONTRE-AIMANT VERTICAL
43	RA900044		RESISTENZA ANTICONDENSA	FRAME RESISTANCE	WIDERSTAND RAHMEN	RESISTANCE CADRE
44	RA140022		EVAPORATORE	EVAPORATOR	VERDAMPFER	EVAPORATEUR



COD. XESH6X57D

PAG. 5