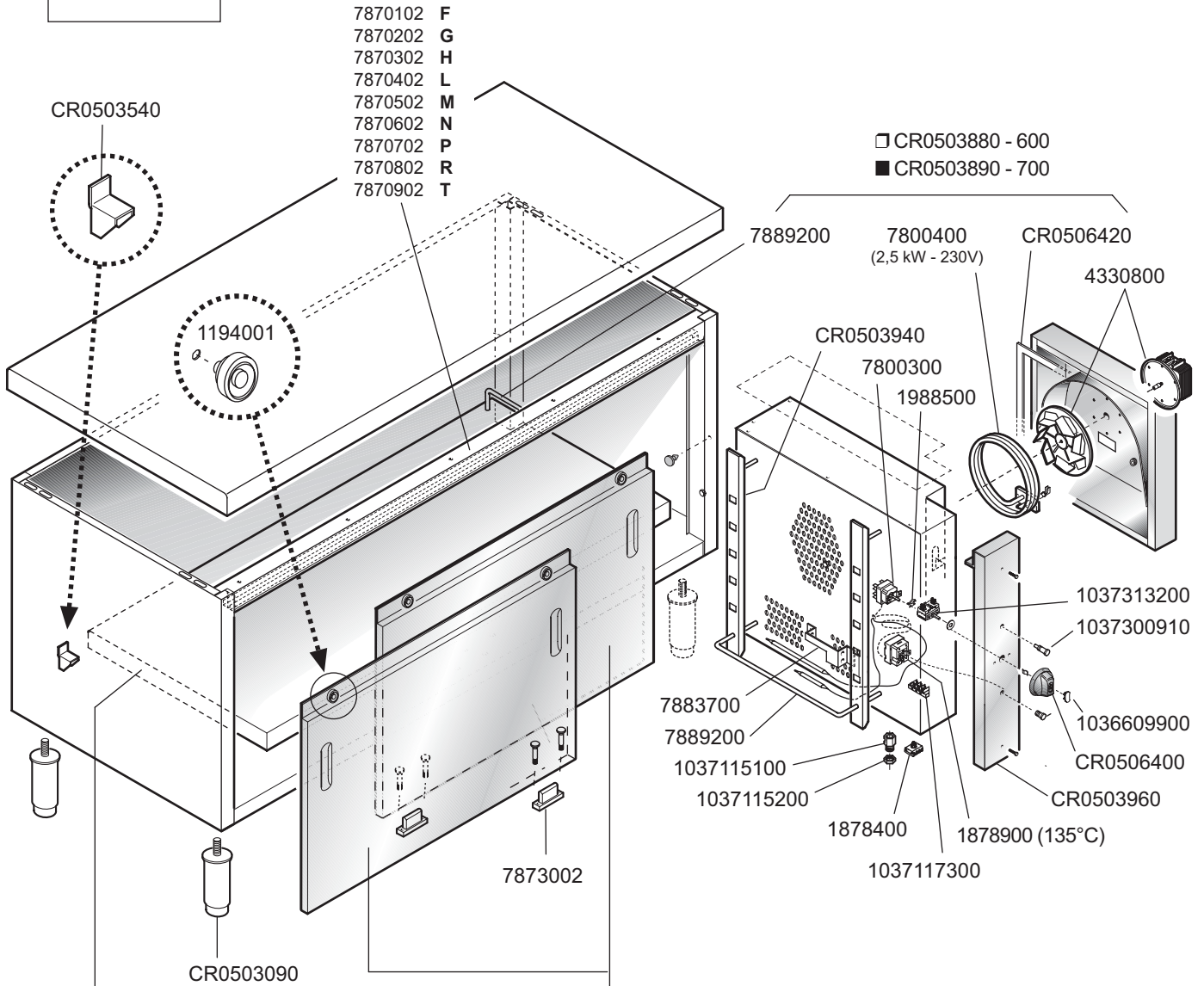


EAR-612PS*, PA, PP 8307900*
 EAR-613PS*, PA, PP 8308000*
 EAR-614PS*, PA, PP 8308100*
 EAR-615PS*, PA, PP 8308200*
 EAR-616PS*, PA, PP 8308300*
 EAR-617PS*, PA, PP 8308400*
 EAR-618PS*, PA, PP 8308500*
 EAR-619PS*, PA, PP 8308600*
 EAR-620PS*, PA, PP 8308700*

EAR-712PS*, PA, PP 8321000*
 EAR-713PS*, PA, PP 8321100*
 EAR-714PS*, PA, PP 8321200*
 EAR-715PS*, PA, PP 8321300*
 EAR-716PS*, PA, PP 8321400*
 EAR-717PS*, PA, PP 8321500*
 EAR-718PS*, PA, PP 8321600*
 EAR-719PS*, PA, PP 8321700*
 EAR-720PS*, PA, PP 8321800*

TAVOLI ARMADI RISCALDATI
ELECTRIC HEATED CUPBOARDS
TABLES ARMOIRES CHAUDES
ELEKTRISCHBEHEIZTSCHRANKTISCHE

> 05.2006





600	700	
CR0503400	CR0503260	F
CR0503410	CR0503270	G
CR0503420	CR0503280	H
CR0503430	CR0503290	L
CR0503440	CR0503300	M
CR0503450	CR0503310	N
CR0503460	CR0503320	P
CR0503470	CR0503330	R
CR0503480	CR0503340	T

mm			
CR0503610	580	PS/A/P	FFG
CR0503620	680	PS/A/P	GHHL
CR0503630	780	PS/A/P	LMMN
CR0503640	880	PS/A/P	NPPR
CR0503650	980	PS/A/P	RTT

Pannello esterno
 External panel
 Panneau avant
 Frontabdeckung

□ 600 ■ 700

A 70 B 80 C 90 D 100 E 110 F 120 G 130 H 140 L 150 M 160 N 170 P 180 R 190 T 200 U 210 cm

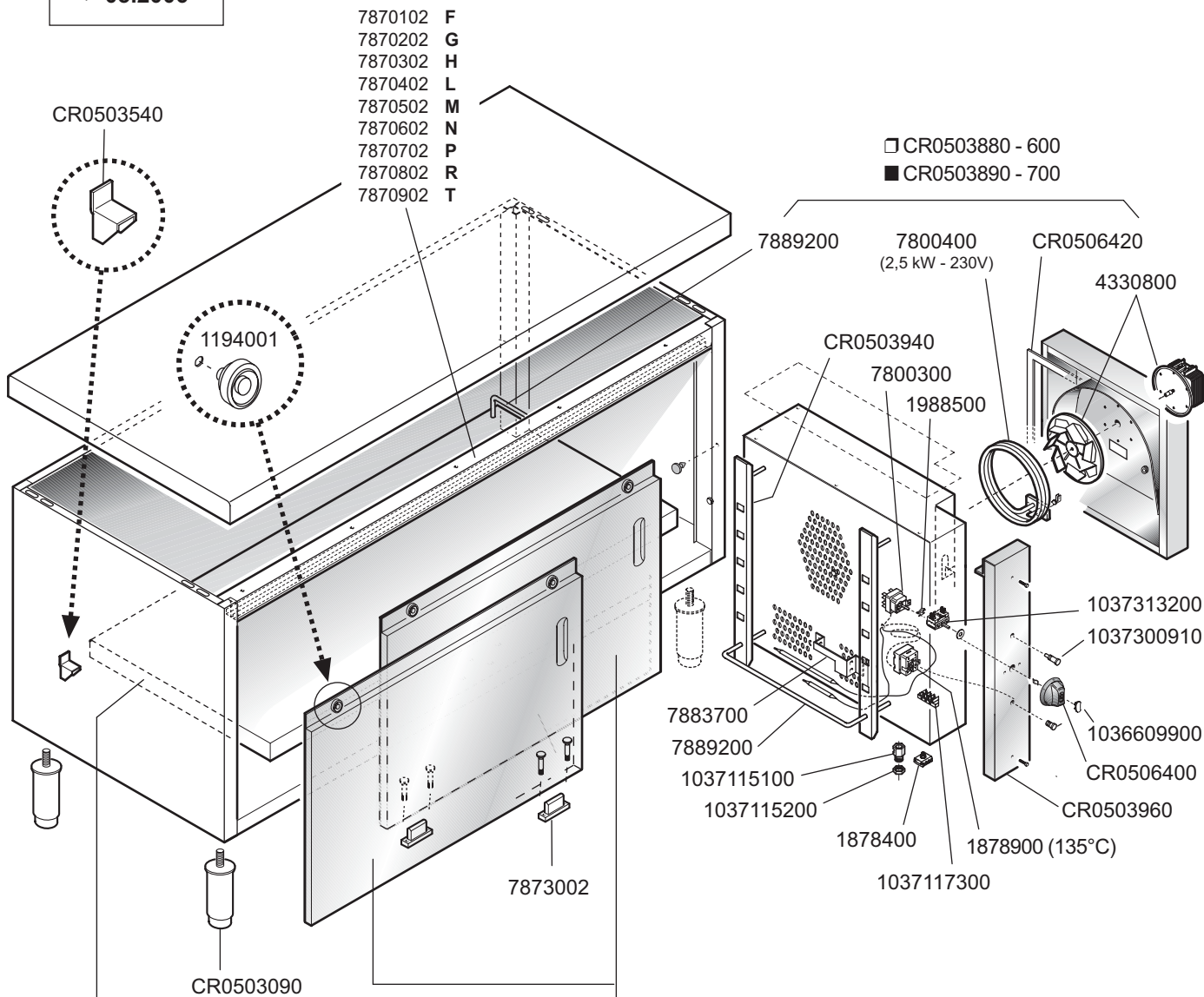
 MARENO INDUSTRIE ALI spa Mareno di Piave (TV)	ELABORATO:	APPROVATO:	GRUPPO:	DENOMINAZIONE:		
	G.Z.		Preparazione - Tavoli	Mobile - Imp. Elettrico		
	DATA:	DATA:	PARTICOLARE:	REV. N.	DEL	DISEGNO N.
	13 Giu 2006	13 Giu 2006	Disegno esploso per ricambi	▼ Z00	▼ 0606	▼ 2.1.14
SOST. DIS.						

EAR-612PS*, PA, PP 8307900*
 EAR-613PS*, PA, PP 8308000*
 EAR-614PS*, PA, PP 8308100*
 EAR-615PS*, PA, PP 8308200*
 EAR-616PS*, PA, PP 8308300*
 EAR-617PS*, PA, PP 8308400*
 EAR-618PS*, PA, PP 8308500*
 EAR-619PS*, PA, PP 8308600*
 EAR-620PS*, PA, PP 8308700*

EAR-712PS*, PA, PP 8321000*
 EAR-713PS*, PA, PP 8321100*
 EAR-714PS*, PA, PP 8321200*
 EAR-715PS*, PA, PP 8321300*
 EAR-716PS*, PA, PP 8321400*
 EAR-717PS*, PA, PP 8321500*
 EAR-718PS*, PA, PP 8321600*
 EAR-719PS*, PA, PP 8321700*
 EAR-720PS*, PA, PP 8321800*

TAVOLI ARMADI RISCALDATI
ELECTRIC HEATED CUPBOARDS
TABLES ARMOIRES CHAUDES
ELEKTRISCHBEHEIZTSCHRANKTISCHE

> 05.2006




600	700	
CR0503400	CR0503260	F
CR0503410	CR0503270	G
CR0503420	CR0503280	H
CR0503430	CR0503290	L
CR0503440	CR0503300	M
CR0503450	CR0503310	N
CR0503460	CR0503320	P
CR0503470	CR0503330	R
CR0503480	CR0503340	T

mm			
CR0510630	580	PS/A/P	FFG
CR0510640	680	PS/A/P	GHHL
CR0510650	780	PS/A/P	LMMN
CR0510660	880	PS/A/P	NPPR
CR0510670	980	PS/A/P	RTT

□ 600 ■ 700

A 70 B 80 C 90 D 100 E 110 F 120 G 130 H 140 L 150 M 160 N 170 P 180 R 190 T 200 U 210 cm

 MARENO INDUSTRIE ALI spa Mareno di Piave (TV)	ELABORATO:	APPROVATO:	GRUPPO:	DENOMINAZIONE:		
	G.Z.		Preparazione - Tavoli	Mobile - Imp. Elettrico		
	DATA:	DATA:	PARTICOLARE:	REV. N.	DEL	DISEGNO N.
	13 Giu 2006	13 Giu 2006	Disegno esploso per ricambi	▼ Z01	▼ 0907	▼ 2.1.14
SOST. DIS.	Z00.0606.2.1.14					