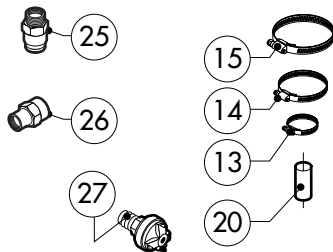
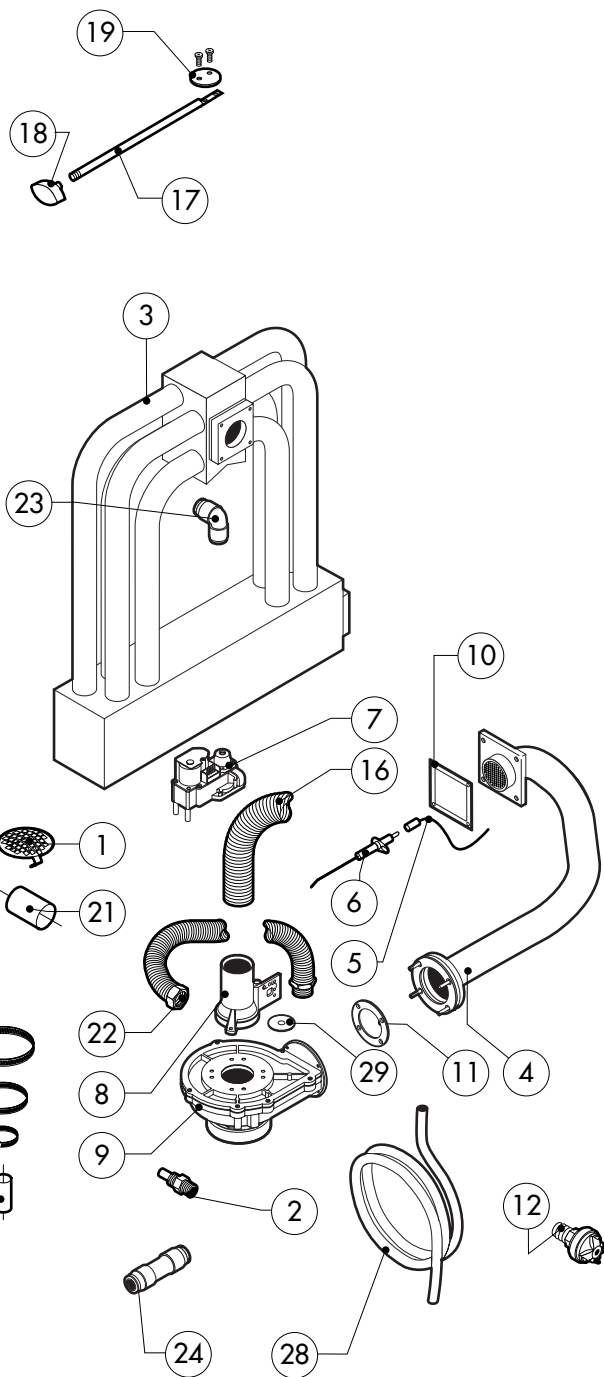
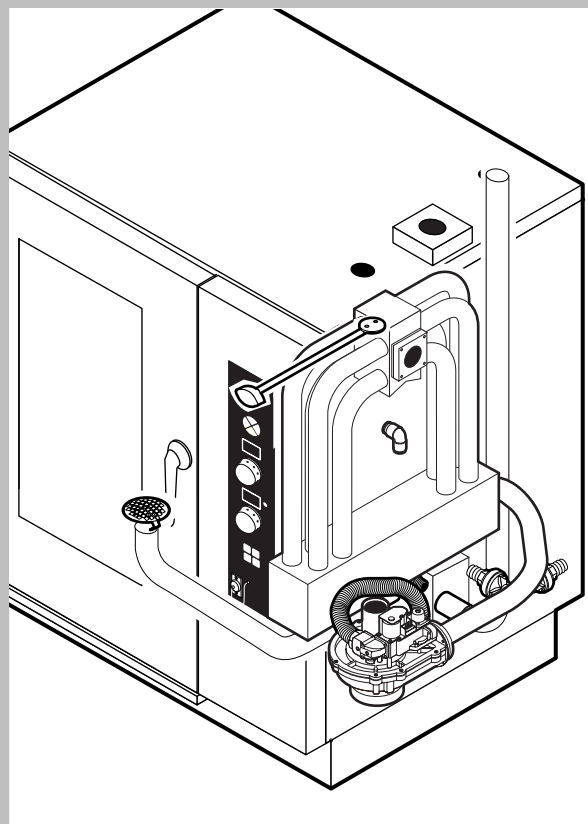


| POS. | CODE | PIECES | DESCRIPTION |
|------|-----------|--------|-----------------------------|
| 1 | R14211150 | 1 | DOOR |
| 2 | R14211200 | 1 | INNER DOOR PANEL |
| 3 | R71201660 | 1 | INNER DOOR GLASS |
| 4 | R58001760 | 2 | INNER GLASS SOLID HINGE |
| 5 | R58001770 | 2 | INNER GLASS HINGE PIN |
| 6 | R58001780 | 2 | INNER GLASS CATCH KIT |
| 7 | R11401340 | 1 | TOP "C" PROFILE |
| 8 | R11401360 | 1 | LOWER "C" PROFILE |
| 9 | R11207250 | 1 | LOWER DOOR HINGE |
| 10 | R58002520 | 1 | LOWER HINGE PIN |
| 11 | R11200560 | 1 | UPPER DOOR HINGE |
| 12 | R58002150 | 1 | HINGE PIN |
| 13 | R58004050 | 2 | NUT FOR UPPER DOOR HINGE |
| 14 | R10401710 | 1 | WASHER FOR UPPER DOOR HINGE |
| 15 | R70050100 | 6 | GLASS SILICON SPACERS |
| 16 | R70040640 | 1 | GLASS GASKET |
| 17 | R66110320 | 1 | DOOR LAMPS CABLE SET |
| 18 | R11401440 | 2 | LAMP COVER |
| 19 | R71500150 | 2 | GLASS LAMP |

| POS. | CODE | PIECES | DESCRIPTION |
|------|-----------|--------|--------------------------------|
| 20 | R70044200 | 2 | LAMP GASKET |
| 21 | R11401450 | 2 | GLASS HOLDER LAMP FLANGE |
| 22 | R65270020 | 2 | LIGHT 20W 12V G4 |
| 23 | R65270450 | 2 | LIGHT SOCKET |
| 24 | R65260750 | 1 | LAMPS CONTACT BLOCK |
| 25 | R66110300 | 1 | LAMPS CONTACT CABLE SET |
| 26 | R11100300 | 1 | DOOR HANDLE ASSEMBLY |
| 27 | R69010260 | 1 | DOOR LATCH 1 STEP |
| 28 | R69010270 | 1 | DOOR LATCH 2 STEP |
| 29 | R69010250 | 1 | DOOR CATCH KIT |
| 30 | R69010630 | 1 | INNER DOOR CATCH PLASTIC COVER |
| 31 | R61620132 | 1 | PRONG FLANGE |



| POS. | CODE | PIECES | DESCRIPTION |
|------|-----------|--------|---|
| 1 | R10201710 | 1 | DRAIN FILTER |
| 2 | R58006130 | 1 | STEAM QUENCHING NOZZLE Ø 1 |
| 3 | R14211470 | 1 | HEAT EXCHANGER ACCESSORIES INCLUDED |
| 4 | R14211500 | 1 | BURNER ASSEMBLY |
| 5 | R66110390 | 1 | FLAME IGNITION CABLE/FLAME SENSOR CABLE |
| 6 | R63050100 | 2 | IGNITOR |
| 7 | R63020170 | 1 | GAS SOLENOID VALVE |
| 8 | R63120010 | 1 | VENTURI TUBE |
| 9 | R63130010 | 1 | GAS BURNER FAN MOTOR |
| 10 | R63140020 | 4 | BURNER/HEAT EXCHANGER GASKET |
| 11 | R63140050 | 1 | BURNER/FAN MOTOR GASKET |
| 12 | R63070010 | 1 | GAS SAFETY PRESSURE SWITCH PG 901.61 |
| 13 | R61630011 | 2 | METAL CLAMPS 12-22/9 |
| 14 | R61630021 | 2 | METAL CLAMPS 30-45/9 |
| 15 | R61630031 | 4 | METAL CLAMPS 40-60/9 |
| 16 | R77700046 | 1 | AIR INLET FLEXIBLE PIPE |
| 17 | R58003790 | 1 | CHAMBER VENT ROD |
| 18 | R69010410 | 1 | STEAM OUTLET KNOB |
| 19 | R04403460 | 1 | CHAMBER VENT PLATE Ø 46 |

| POS. | CODE | PIECES | DESCRIPTION |
|------|-----------|--------|--|
| 20 | R70060080 | 1 | SILICON COUPLING Ø 13 |
| 21 | R70060010 | 1 | SILICON COUPLING Ø 30 |
| 22 | R62180082 | 1 | GAS INLET FLEXIBLE PIPE |
| 23 | R62090478 | 3 | ELBOW MIDDLING PIPE FITTING D.10 |
| 24 | R62090458 | 1 | STRAIGHT MIDDLING PIPE FITTING D.10 |
| 25 | R62090508 | 1 | 10X1/4 STRAIGHT THREADED TERMINAL PIPE FITTING |
| 26 | R62030118 | 1 | 1/8"-1/4" FEMALE REDUCTION COUPLING |
| 27 | R63070050 | 1 | WATER SAFETY PRESSURE SWITCH 1/8" 0,5-0,35 BAR |
| 28 | R70070050 | 1 | PE D.10 MM X7 WATER FLEXIBLE PIPE (3 MT LONG) |
| 29 | R58004190 | 1 | ORIFICE (FOR VERSION LIQUID GAS) |
| | | | |
| | | | |
| | | | |
| | | | |
| | | | |
| | | | |
| | | | |
| | | | |
| | | | |

