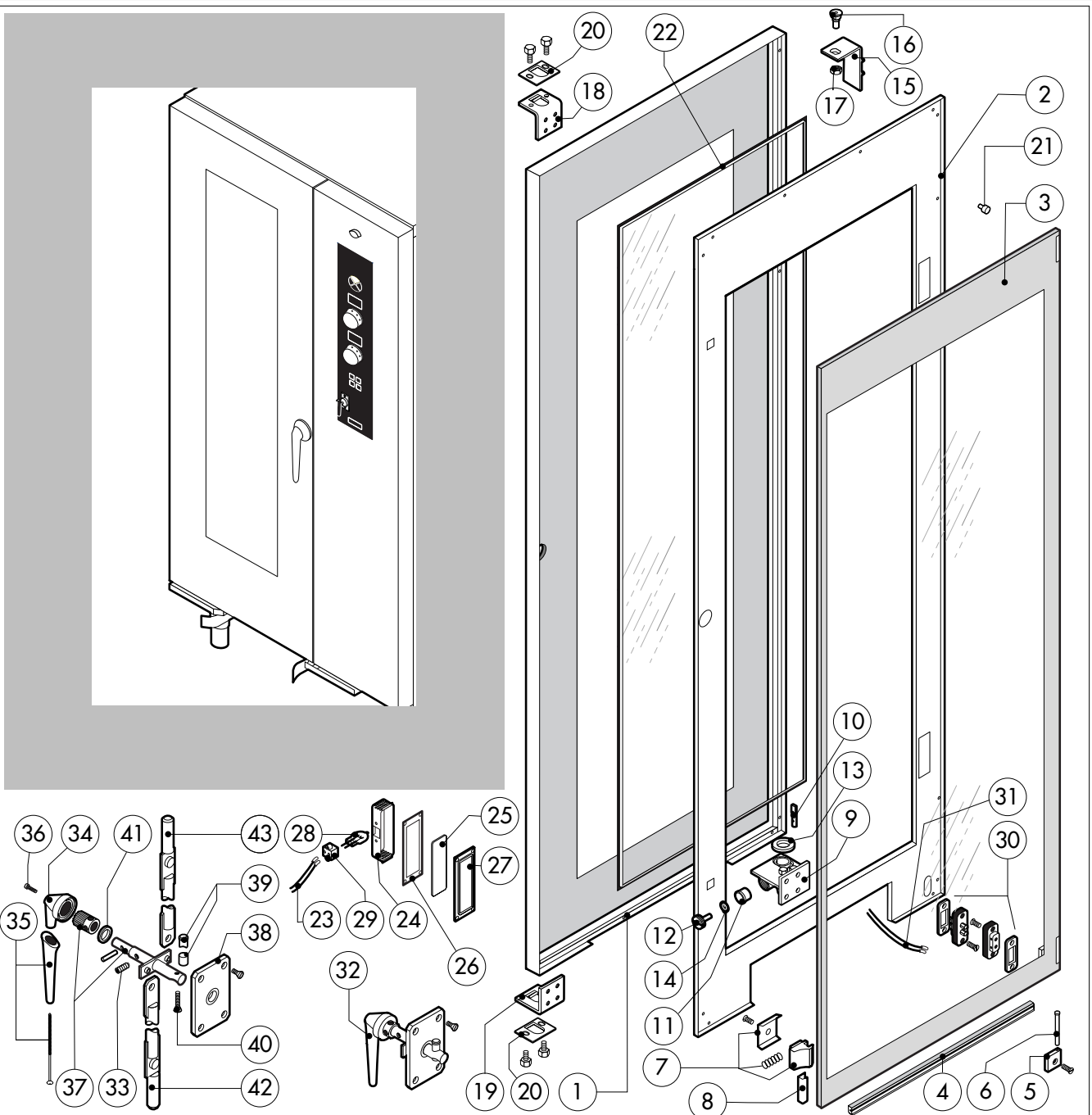


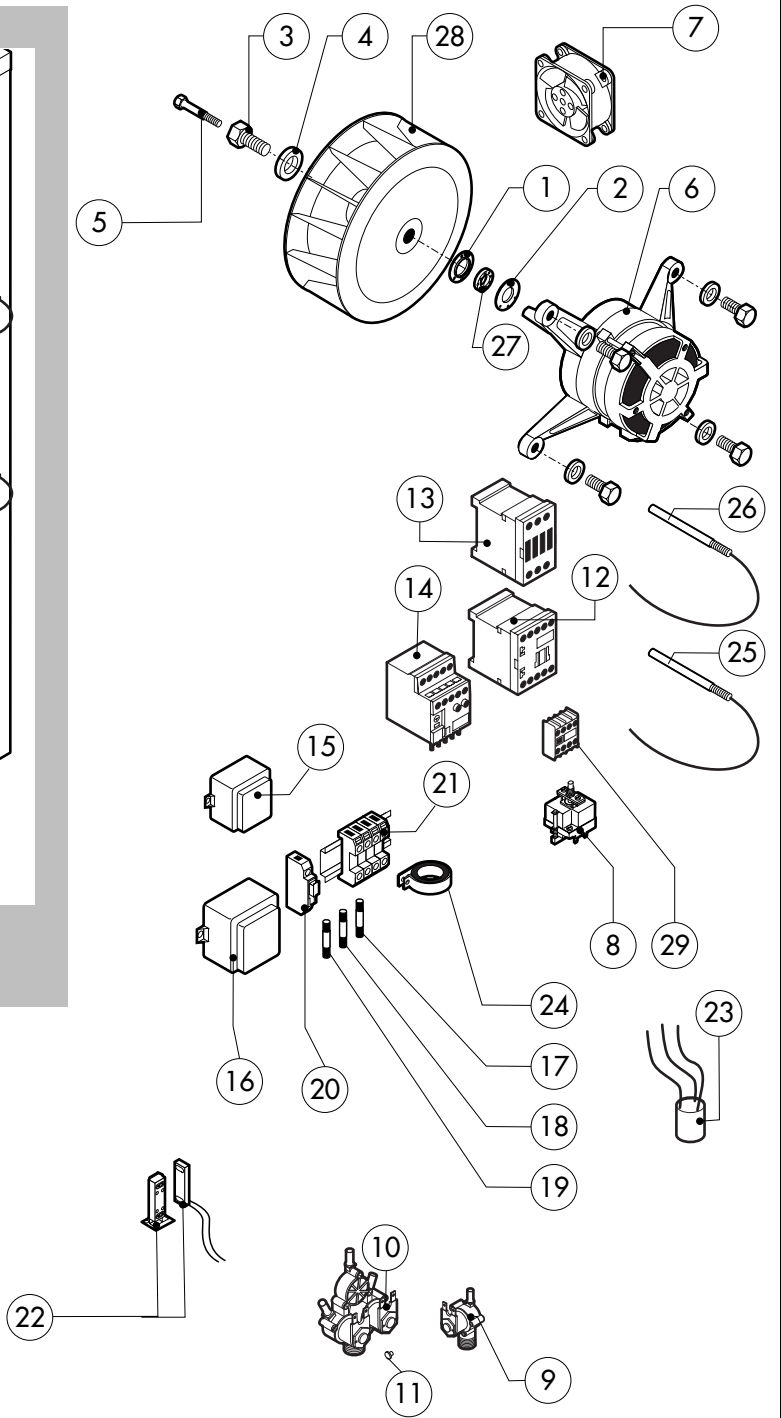
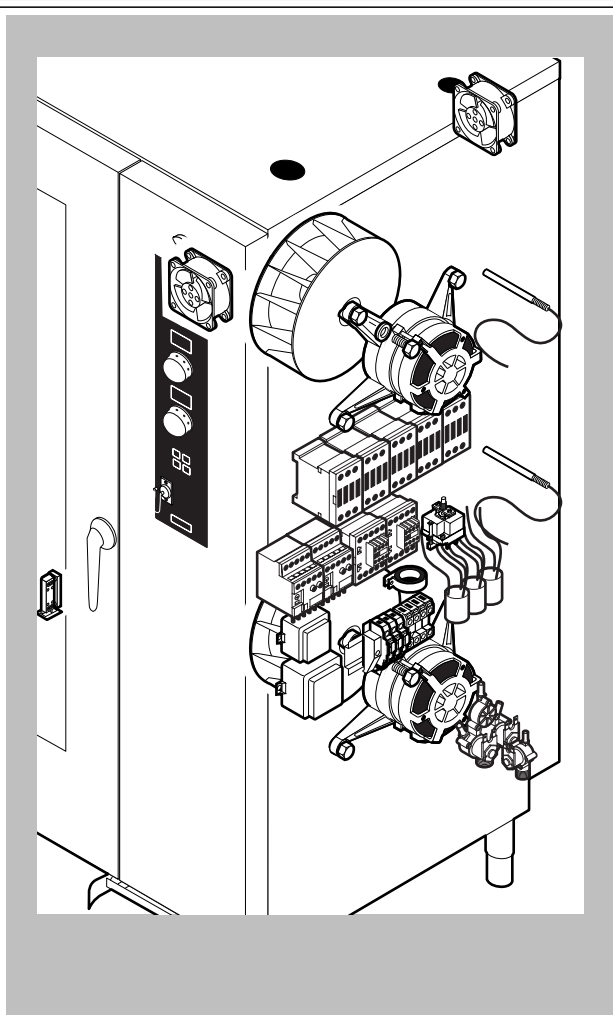
| POS. | CODE      | PIECES | DESCRIPTION               |
|------|-----------|--------|---------------------------|
| 1    | R14102040 | 1      | DOOR ASSEMBLY             |
| 2    | R14213470 | 1      | CONTROL PANEL             |
| 3    | R11201970 | 2      | SPRITZER EXTENSION        |
| 4    | R11200380 | 2      | SPRITZER UNION            |
| 5    | R14102210 | 1      | COOKING CABINET ASSEMBLY  |
| 6    | R14213400 | 1      | FAN GUARD PANEL ASSEMBLY  |
| 7    | R14212980 | 1      | RIGHT SIDE PANEL          |
| 8    | R14212990 | 1      | LEFT SIDE PANEL           |
| 9    | R14213000 | 1      | REAR PANEL                |
| 10   | R14212930 | 1      | COVER PANEL               |
| 11   | R58003100 | 2      | FAN GUARD FASTENING SCREW |
| 12   | R70044270 | 1      | FRONT GASKET              |
| 13   | R75300020 | 1      | FAN GUARD GRID Ø 120      |
| 14   | R75300090 | 2      | FAN GUARD GRID Ø 350      |
| 15   | R69070020 | 4      | FOOT 1"1/2x130            |
| 16   | R69090090 | 2      | WHEEL                     |
| 17   | R69090100 | 2      | WHEEL WITH BRAKE          |
| 18   | R14425200 | 1      | HANDLE FOR TROLLEY        |
| 19   | R14213330 | 1      | TRAY FOR TROLLEY          |

| POS. | CODE | PIECES | DESCRIPTION |
|------|------|--------|-------------|
|      |      |        |             |
|      |      |        |             |
|      |      |        |             |
|      |      |        |             |
|      |      |        |             |
|      |      |        |             |
|      |      |        |             |
|      |      |        |             |
|      |      |        |             |
|      |      |        |             |
|      |      |        |             |
|      |      |        |             |
|      |      |        |             |
|      |      |        |             |
|      |      |        |             |
|      |      |        |             |
|      |      |        |             |
|      |      |        |             |
|      |      |        |             |
|      |      |        |             |
|      |      |        |             |
|      |      |        |             |
|      |      |        |             |
|      |      |        |             |
|      |      |        |             |
|      |      |        |             |
|      |      |        |             |
|      |      |        |             |
|      |      |        |             |
|      |      |        |             |
|      |      |        |             |
|      |      |        |             |
|      |      |        |             |
|      |      |        |             |
|      |      |        |             |
|      |      |        |             |
|      |      |        |             |
|      |      |        |             |
|      |      |        |             |
|      |      |        |             |



| POS. | CODE      | PIECES | DESCRIPTION                    |
|------|-----------|--------|--------------------------------|
| 1    | R14212850 | 1      | DOOR                           |
| 2    | R14212900 | 1      | INNER DOOR PANEL               |
| 3    | R71201670 | 1      | INNER DOOR GLASS               |
| 4    | R70044310 | 1      | GASKET FOR TROLLEY(0,7MT)      |
| 5    | R58001760 | 2      | INNER GLASS SOLID HINGE        |
| 6    | R58001770 | 2      | INNER GLASS HINGE PIN          |
| 7    | R58001780 | 2      | INNER GLASS CATCH KIT          |
| 8    | R11411860 | 2      | "C" PROFILE                    |
| 9    | R11205390 | 1      | LOWER DOOR HINGE WITH RETAINER |
| 10   | R58002540 | 1      | DOOR PIVOT SUNK KEY            |
| 11   | R58002550 | 1      | DOOR RETAINER GUIDE SHOE       |
| 12   | R58002560 | 1      | SCREW FOR LOWER DOOR HINGE     |
| 13   | R58002570 | 1      | WASHER Ø 30/15x3               |
| 14   | R61620091 | 16     | BELLEVILLE WASHER Ø 14/6.4     |
| 15   | R11200560 | 1      | UPPER DOOR HINGE               |
| 16   | R58002150 | 1      | HINGE PIN                      |
| 17   | R58004050 | 1      | NUT FOR UPPER DOOR HINGE       |
| 18   | R11411520 | 1      | UPPER SQUARE FOR DOOR ROD      |
| 19   | R11205400 | 1      | LOWER SQUARE FOR DOOR ROD      |
| 20   | R10207680 | 2      | DOOR ROD ADJUSTABLE PLATE      |
| 21   | R70050100 | 9      | GLASS SILICON SPACERS          |
| 22   | R70044170 | 1      | GLASS GASKET (3,72MT)          |

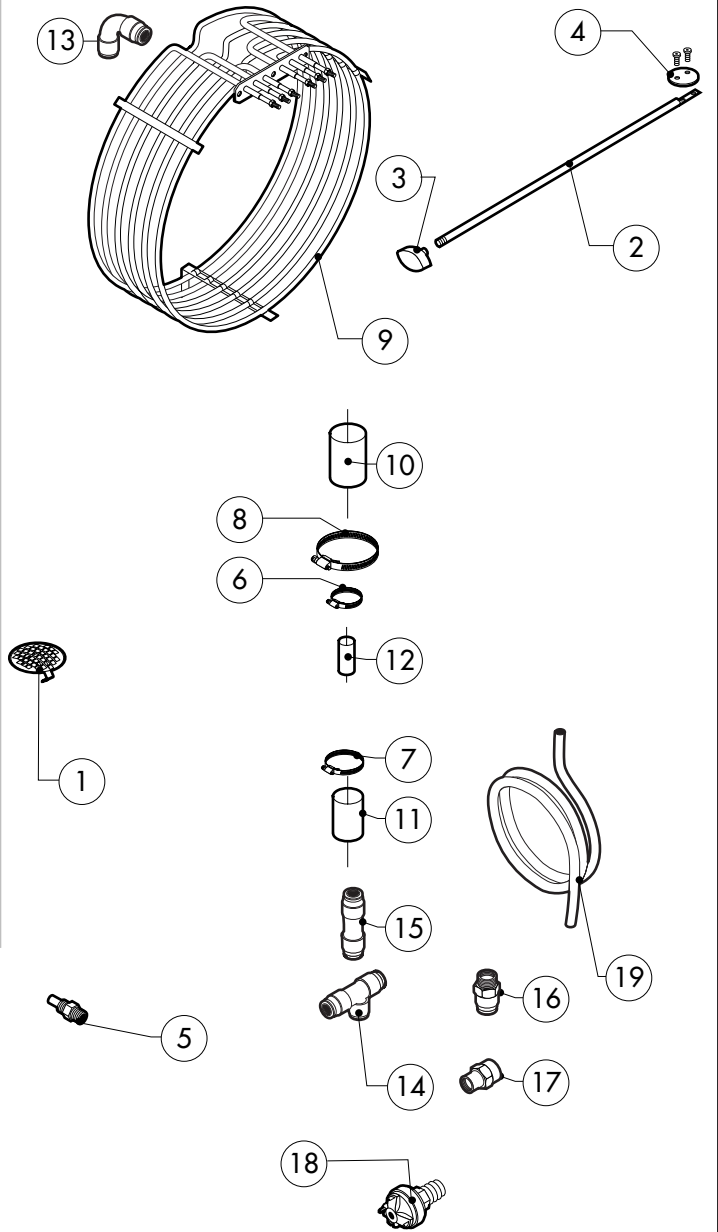
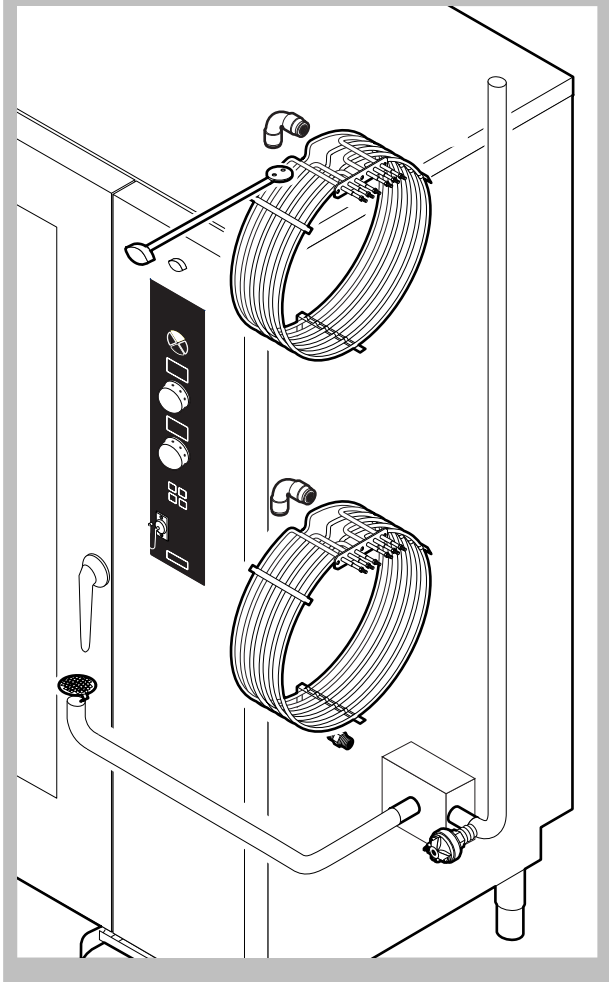
| POS. | CODE      | PIECES | DESCRIPTION              |
|------|-----------|--------|--------------------------|
| 23   | R66110330 | 1      | DOOR LAMPS CABLE SET     |
| 24   | R11401440 | 2      | LAMP COVER               |
| 25   | R71500150 | 2      | GLASS LAMP               |
| 26   | R70044200 | 2      | GLASS LAMP               |
| 27   | R11401450 | 2      | GLASS HOLDER LAMP FLANGE |
| 28   | R65270020 | 2      | LIGHT 20W 12V G4         |
| 29   | R65270450 | 2      | LIGHT SOCKET             |
| 30   | R65260750 | 1      | LAMPS CONTACT BLOCK      |
| 31   | R66110300 | 1      | LAMPS CONTACT CABLE SET  |
| 32   | R11100310 | 1      | DOOR HANDLE ASSEMBLY     |
| 33   | R61090052 | 1      | GRUB SCREW M6x16         |
| 34   | R69010600 | 1      | DOOR HANDLE              |
| 35   | R69010610 | 1      | HANDLE                   |
| 36   | R61030601 | 1      | CYLINDRICAL HEAD SCREW   |
| 37   | R11205340 | 1      | DOOR HANDLE PIN          |
| 38   | R03200970 | 1      | DOOR LOCK REAR FLANGE    |
| 39   | R58004781 | 1      | DOOR HANDLE HOOK         |
| 40   | R61040272 | 1      | DOOR HANDLE HOOK SCREW   |
| 41   | R61420021 | 1      | ELASTIC WASHER           |
| 42   | R11205381 | 1      | LOWER DOOR ROD           |
| 43   | R11205370 | 1      | UPPER DOOR ROD           |



| POS. | CODE       | PIECES | DESCRIPTION                                |
|------|------------|--------|--|
| 1    | R58003840  | 2      | MOTOR GASKET BRASS FLANGE                  |
| 2    | R58003850  | 2      | MOTOR GASKET BRASS COUNTER FLANGE          |
| 3    | R58004000  | 2      | FAN SCREW M12x1.5 SX                       |
| 4    | R58004010  | 2      | FAN WASHER Ø 30/12.5                       |
| 5    | R61020562  | 2      | FAN SCREW TE A2 M6x55                      |
| 6    | *R65040061 | 2      | MOTOR HP 1 KIT                             |
| 7    | R65060050  | 2      | COMPONENTS VENTILATION MOTOR Ø 120         |
| 8    | R65070350  | 1      | CHAMBER SAFETY THERMOSTAT                  |
| 9    | R65110200  | 1      | SOLENOID VALVE 220V 50HZ                   |
| 10   | R65110240  | 1      | SOLENOID VALVE 220V 50HZ WITH FLOW REDUCER |
| 11   | R65110510  | 2      | 15 LT/H WATER FLOW REDUCER                 |
| 12   | *R65140380 | 2      | CONTACTOR 3RT1016-1AP02 240V               |
| 13   | *R65140400 | 5      | CONTACTOR 3RT1025-1AL20 240V               |
| 14   | *R65160620 | 2      | THERMIC PROTECTION 3RU1116-1BB0 1,4-2,0A   |
| 15   | R65180420  | 1      | TRANSFORMER 20VA                           |
| 16   | R65180430  | 1      | TRANSFORMER 40VA                           |
| 17   | R65200200  | 1      | FUSE 2A                                    |
| 18   | R65200320  | 1      | FUSE 0.25A (T)                             |
| 19   | R65200080  | 1      | FUSE 0.125A (T)                            |

| POS. | CODE       | PIECES | DESCRIPTION                     |
|------|------------|--------|---------------------------------|
| 20   | R65210020  | 3      | FUSE CARRIER                    |
| 21   | R65220130  | 1      | TERMINAL BOARD                  |
| 22   | R65265100  | 1      | DOOR SWITCH                     |
| 23   | *R65280200 | 3      | INTERFERENCE SUPPRESSOR         |
| 24   | *R65280450 | 1      | FERRITE                         |
| 25   | R65325000  | 1      | PROBE PT100 (1,5 MT LONG)       |
| 26   | R65325010  | 1      | PROBE PT100 (3 MT LONG)         |
| 27   | R70020050  | 2      | MOTOR GASKET                    |
| 28   | *R75400440 | 2      | FAN Ø 350x114/12 50HZ P.D. KIT  |
| 29   | *R65140430 | 2      | AUX.CONTACT 1L+1R 3RH1921-1FA11 |
|      |            |        |                                 |
|      |            |        |                                 |
|      |            |        |                                 |
|      |            |        |                                 |
|      |            |        |                                 |
|      |            |        |                                 |
|      |            |        |                                 |
|      |            |        |                                 |
|      |            |        |                                 |
|      |            |        |                                 |
|      |            |        |                                 |
|      |            |        |                                 |
|      |            |        |                                 |
|      |            |        |                                 |
|      |            |        |                                 |
|      |            |        |                                 |
|      |            |        |                                 |
|      |            |        |                                 |
|      |            |        |                                 |
|      |            |        |                                 |
|      |            |        |                                 |
|      |            |        |                                 |
|      |            |        |                                 |
|      |            |        |                                 |
|      |            |        |                                 |
|      |            |        |                                 |
|      |            |        |                                 |

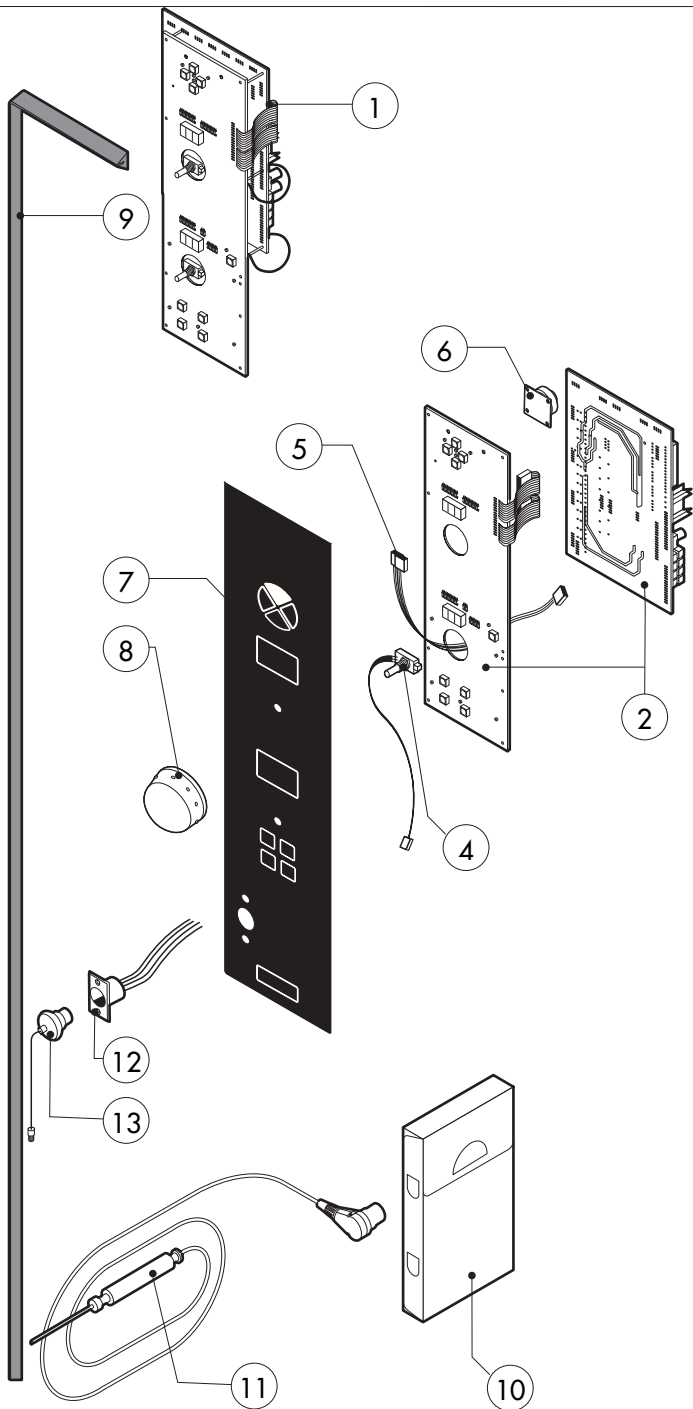
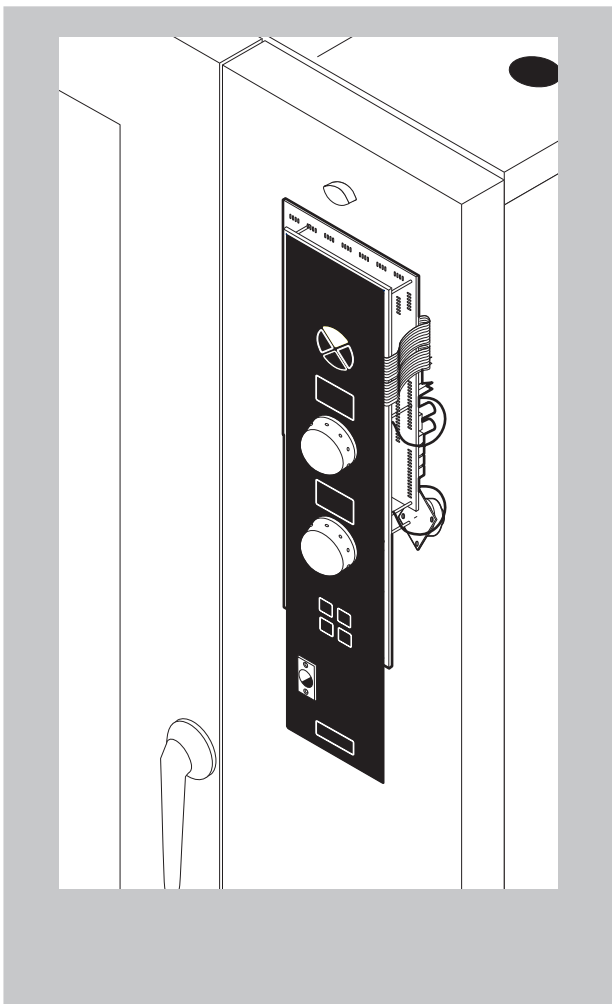
\*COMPONENT SUBMITTED TO CHANGEMENTS CAUSED BY TENSION DIFFERENT FROM THE STANDARD [3N AC400V 50HZ]



| POS. | CODE       | PIECES | DESCRIPTION                                    |
|------|------------|--------|--|
| 1    | R10201710  | 1      | DRAIN FILTER                                   |
| 2    | R58003760  | 1      | CHAMBER VENT ROD                               |
| 3    | R69010410  | 1      | STEAM OUTLET KNOB                              |
| 4    | R11406870  | 1      | CHAMBER VENT PLATE Ø 76                        |
| 5    | R58006130  | 2      | STEAM QUENCHING NOZZLE Ø 1                     |
| 6    | R61630011  | 2      | METAL CLAMPS 12-22/9                           |
| 7    | R61630021  | 2      | METAL CLAMPS 30-45/9                           |
| 8    | R61630031  | 2      | METAL CLAMPS 40-60/9                           |
| 9    | *R65011310 | 2      | CHAMBER HEATING ELEMENT 15000W                 |
| 10   | R70060040  | 1      | SILICON COUPLING Ø 50                          |
| 11   | R70060010  | 1      | SILICON COUPLING Ø 30                          |
| 12   | R70060080  | 1      | SILICON COUPLING Ø 13                          |
| 13   | R62090478  | 5      | ELBOW MIDDLING PIPE FITTING D.10               |
| 14   | R62090468  | 1      | "T" MIDDLING PIPE FITTING D.10                 |
| 15   | R62090458  | 1      | STRAIGHT MIDDLING PIPE FITTING D.10            |
| 16   | R62090508  | 1      | 10X1/4 STRAIGHT THREADED TERMINAL PIPE FITTING |
| 17   | R62030118  | 1      | 1/8"-1/4" FEMALE REDUCTION COUPLING            |
| 18   | R63070050  | 1      | WATER SAFETY PRESSURE SWITCH 1/8" 0,5-0,35 BAR |
| 19   | R70070040  | 1      | PE D.10 MM X7 WATER FLEXIBLE PIPE (4 MT LONG)  |

| POS. | CODE | PIECES | DESCRIPTION |
|------|------|--------|-------------|
|      |      |        |             |
|      |      |        |             |
|      |      |        |             |
|      |      |        |             |
|      |      |        |             |
|      |      |        |             |
|      |      |        |             |
|      |      |        |             |
|      |      |        |             |
|      |      |        |             |
|      |      |        |             |
|      |      |        |             |
|      |      |        |             |
|      |      |        |             |
|      |      |        |             |
|      |      |        |             |
|      |      |        |             |
|      |      |        |             |
|      |      |        |             |
|      |      |        |             |
|      |      |        |             |

\*COMPONENT SUBMITTED TO CHANGEMENTS CAUSED BY TENSION DIFFERENT FROM THE STANDARD [3N AC400V 50HZ]



| POS. | CODE      | PIECES | DESCRIPTION                             |
|------|-----------|--------|---|
| 1    | R65301300 | 1      | CONTROL PANEL P.C. BOARD                |
| 2    | R65301320 | 1      | FRONT PC BOARD "D" MOD                  |
| 4    | R65301450 | 2      | FRONT PC BOARD ENCODER                  |
| 5    | R65301340 | 1      | PC BOARD FLAT CABLE                     |
| 6    | R65301440 | 1      | PC BOARD BUZZER                         |
| 7    | R67013090 | 1      | PLATE                                   |
| 8    | R69030260 | 2      | KNOB                                    |
| 9    | R70044290 | 1      | CONTROL PANEL GASKET                    |
| 10   | R86020420 | 1      | CORE TEMPERATURE PROBE BOX              |
| 11   | R65321120 | 1      | CORE TEMPERATURE PROBE                  |
| 12   | R65320920 | 1      | CORE TEMPERATURE PROBE FEMALE CONNECTOR |
| 13   | R65321020 | 1      | COVER FOR FEMALE CONNECTOR              |
|      |           |        |   |
|      |           |        |   |
|      |           |        |   |
|      |           |        |   |
|      |           |        |   |
|      |           |        |   |
|      |           |        |   |

| POS. | CODE | PIECES | DESCRIPTION |
|------|------|--------|-------------|
|      |      |        |             |
|      |      |        |             |
|      |      |        |             |
|      |      |        |             |
|      |      |        |             |
|      |      |        |             |
|      |      |        |             |
|      |      |        |             |
|      |      |        |             |
|      |      |        |             |
|      |      |        |             |
|      |      |        |             |
|      |      |        |             |
|      |      |        |             |
|      |      |        |             |
|      |      |        |             |
|      |      |        |             |
|      |      |        |             |
|      |      |        |             |
|      |      |        |             |
|      |      |        |             |
|      |      |        |             |
|      |      |        |             |