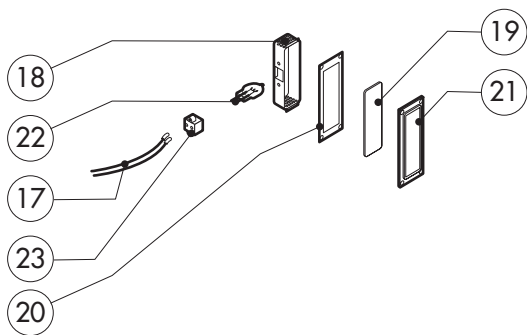
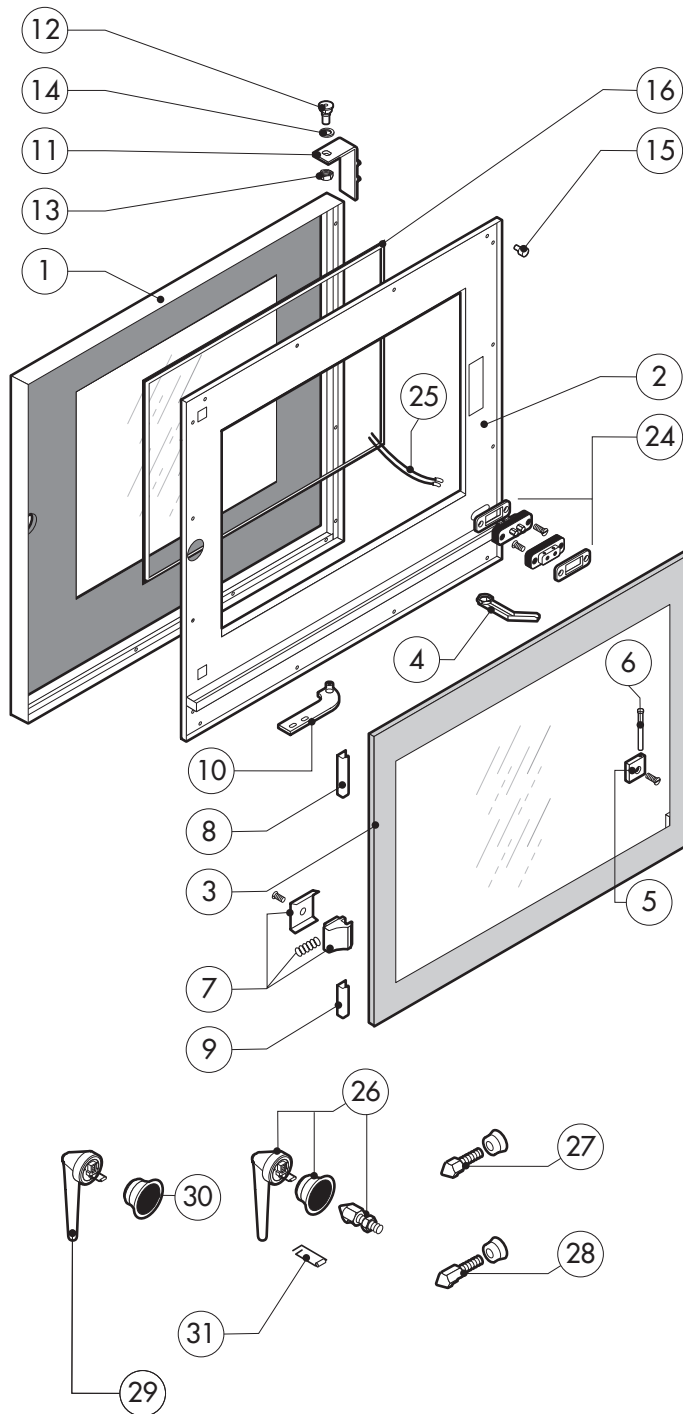
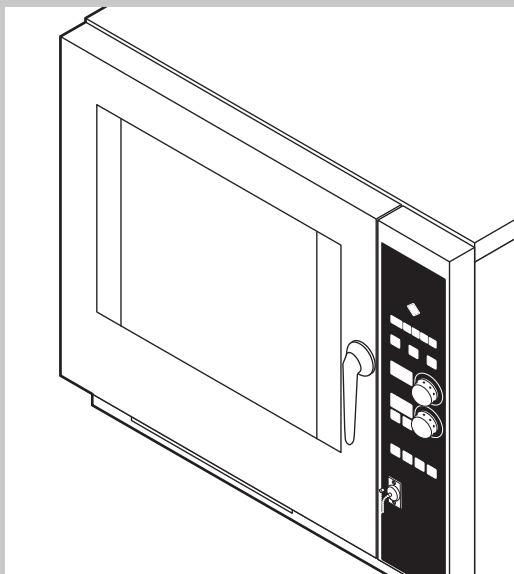


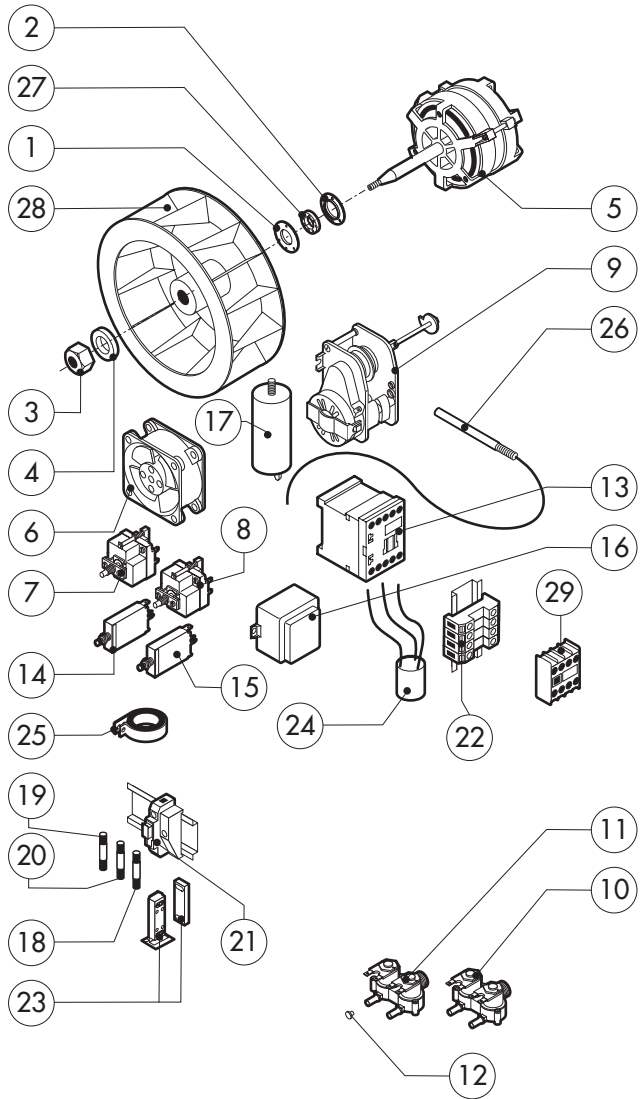
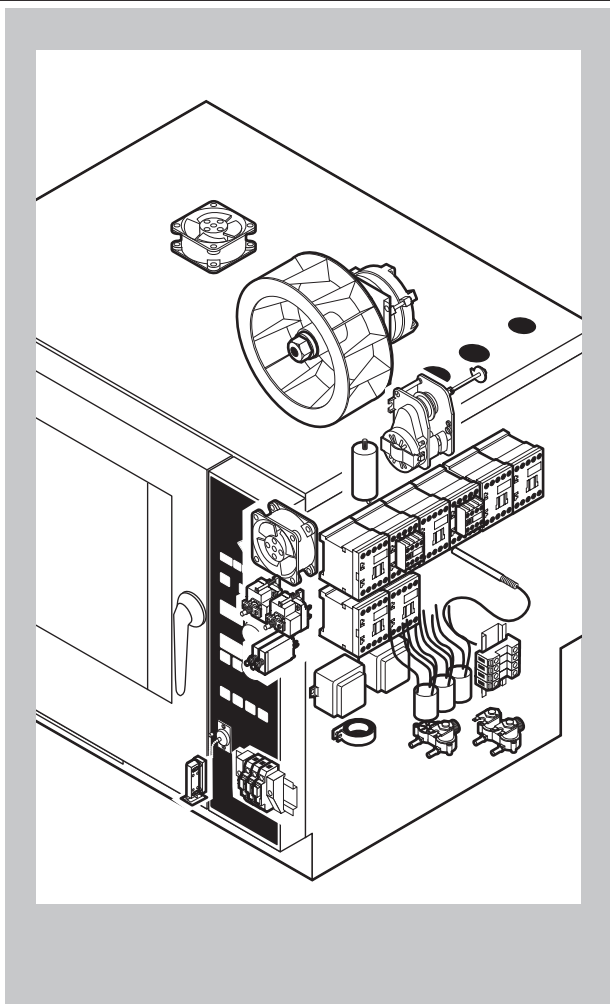
POS.	CODE	PIECES	DESCRIPTION
1	R11100100	1	DOOR ASSEMBLY
2	R11200730	1	CONTROL PANEL
3	R11200650	1	SPRITZER EXTENSION
4	R11200380	1	SPRITZER UNION
5	R11200000	1	COOKING CABINET ASSEMBLY
6	R11200350	1	FAN GUARD PANEL ASSEMBLY
7	R11200330	1	RIGHT SIDE PANEL
8	R11200340	1	LEFT SIDE PANEL
9	R11400950	1	REAR PANEL
10	R11200190	1	COVER PANEL
11	R58003100	2	FAN GUARD FASTENING SCREW
12	R70044100	1	FRONT GASKET
13	R75300030	1	FAN GUARD GRID Ø 190
14	R11100250	1	COMPLETE DRAWER
15	R62200131	1	SHOWER KIT
16	R62200133	1	SHOWER HANDLE
17	R11200420	1	REMOVABLE RACK DX
18	R11200430	1	REMOVABLE RACK SX

POS.	CODE	PIECES	DESCRIPTION



POS.	CODE	PIECES	DESCRIPTION
1	R11100160	1	DOOR
2	R11200510	1	INNER DOOR PANEL
3	R11100130	1	INNER DOOR GLASS
4	R11200520	1	DOOR DRIP TRAY DRAINAGE
5	R58001760	2	INNER GLASS SOLID HINGE
6	R58001770	2	INNER GLASS HINGE PIN
7	R58001780	2	INNER GLASS CATCH KIT
8	R11401340	1	TOP "C" PROFILE
9	R11401360	1	LOWER "C" PROFILE
10	R11200550	1	LOWER DOOR HINGE - UNTIL N°3503CRXXXXX1
	R11200551	1	LOWER DOOR HINGE - FROM N°3603CRXXXXX2
11	R11200560	1	UPPER DOOR HINGE
12	R58002150	1	HINGE PIN
13	R58004050	1	NUT FOR UPPER DOOR HINGE
14	R10401710	1	WASHER FOR UPPER DOOR HINGE
15	R70050100	6	GLASS SILICON SPACERS
16	R70044150	1	GLASS GASKET
17	R66110310	1	DOOR LAMPS CABLE SET
18	R11401440	1	LAMP COVER

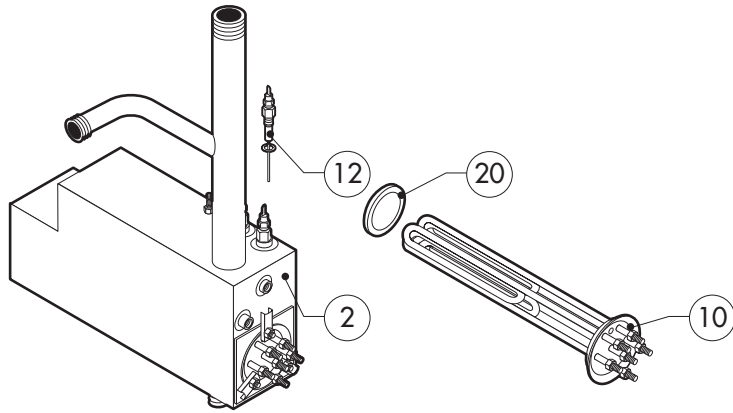
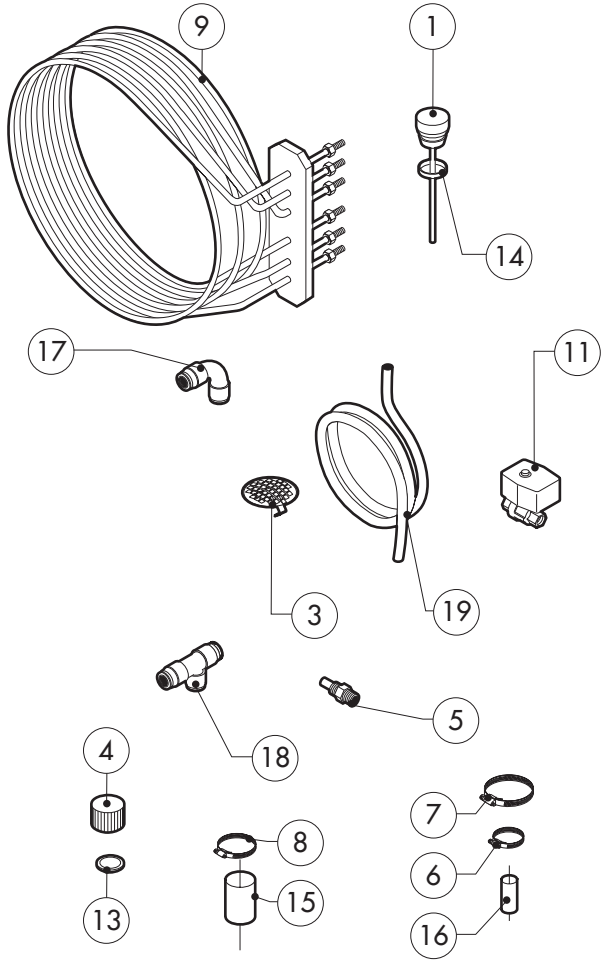
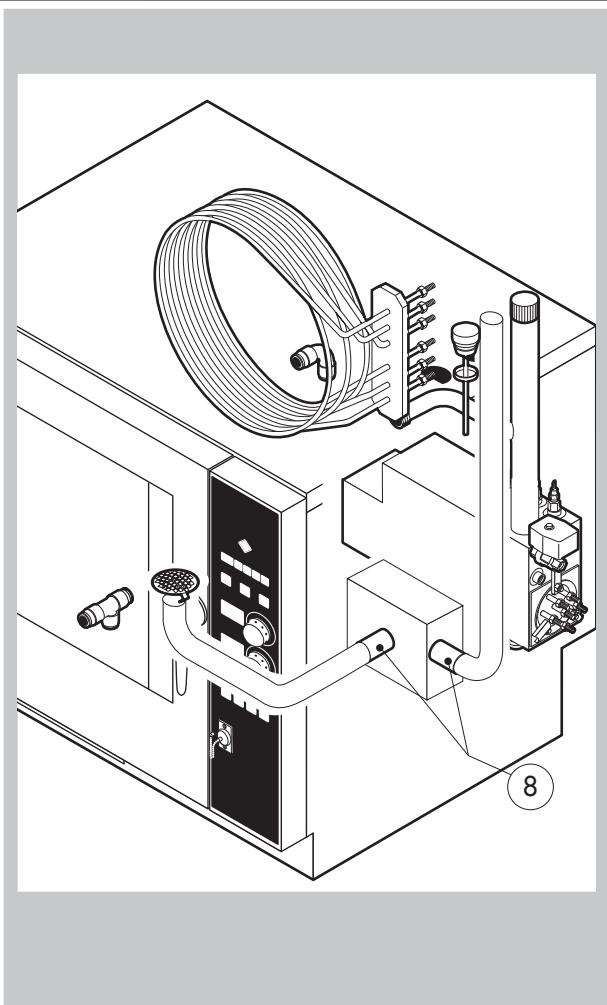
POS.	CODE	PIECES	DESCRIPTION
19	R71500150	1	GLASS LAMP
20	R70044200	1	LAMP GASKET
21	R11401450	1	GLASS HOLDER LAMP FLANGE
22	R65270020	1	LIGHT 20W 12V G4
23	R65270450	1	LIGHT SOCKET
24	R65260750	1	LAMPS CONTACT BLOCK
25	R66110300	1	LAMPS CONTACT CABLE SET
26	R11100300	1	DOOR HANDLE ASSEMBLY
27	R69010260	1	DOOR LATCH 1 STEP
28	R69010270	1	DOOR LATCH 2 STEP
29	R69010250	1	DOOR CATCH KIT
30	R69010630	1	INNER DOOR CATCH PLASTIC COVER
31	R61620132	1	PRONG FLANGE



POS.	CODE	PIECES	DESCRIPTION
1	R58003860	1	MOTOR GASKET BRASS FLANGE
2	R58003870	1	MOTOR GASKET BRASS COUNTER FLANGE
3	R58004020	1	FAN SECURITY NUT M10 SX
4	R61400052	1	FAN WASHER Ø 21/10.5
5	*R65040431	1	MOTOR 0.37/0.05 KW KIT
6	R65060050	2	COMPONENTS VENTILATION MOTOR Ø 120
7	R65070350	1	CHAMBER SAFETY THERMOSTAT
8	R65070081	1	STEAM GENERATOR SAFETY THERMOSTAT
9	R65095000	1	DAMPER SYSTEM
10	R65110210	1	SOLENOID VALVE 220V 50HZ
11	R65110230	1	SOLENOID VALVE 220V 50HZ WITH FLOW REDUCER
12	R65110510	1	15 LT/H WATER FLOW REDUCER
13	*R65140380	8	CONTACTOR 3RT1016-1AP02 240V
14	*R65160300	1	THERMIC PROTECTION T12-2115-0.8A
15	*R65160320	1	THERMIC PROTECTION T12-2115-2A
16	R65180420	2	TRANSFORMER 20VA
17	*R65190180	1	CAPACITOR 10 µF
18	R65200086	2	FUSE 0.125A (T)
19	R65200200	1	FUSE 2A

POS.	CODE	PIECES	DESCRIPTION
20	R65200320	1	FUSE 0.2A (T)
21	R65210020	3	FUSE CARRIER
22	R65220090	1	TERMINAL BOARD
23	R65265100	1	DOOR SWITCH
24	*R65280200	3	INTERFERENCE SUPPRESSOR
25	*R65280450	1	FERRITE
26	R65325000	3	PROBE PT100
27	R70020040	1	MOTOR GASKET
28	*R75400400	1	FAN Ø 220x78/12 50HZ P.D. KIT
29	*R65140420	2	AUX.CONTACT 1L+1R 3RH1911-1FA11

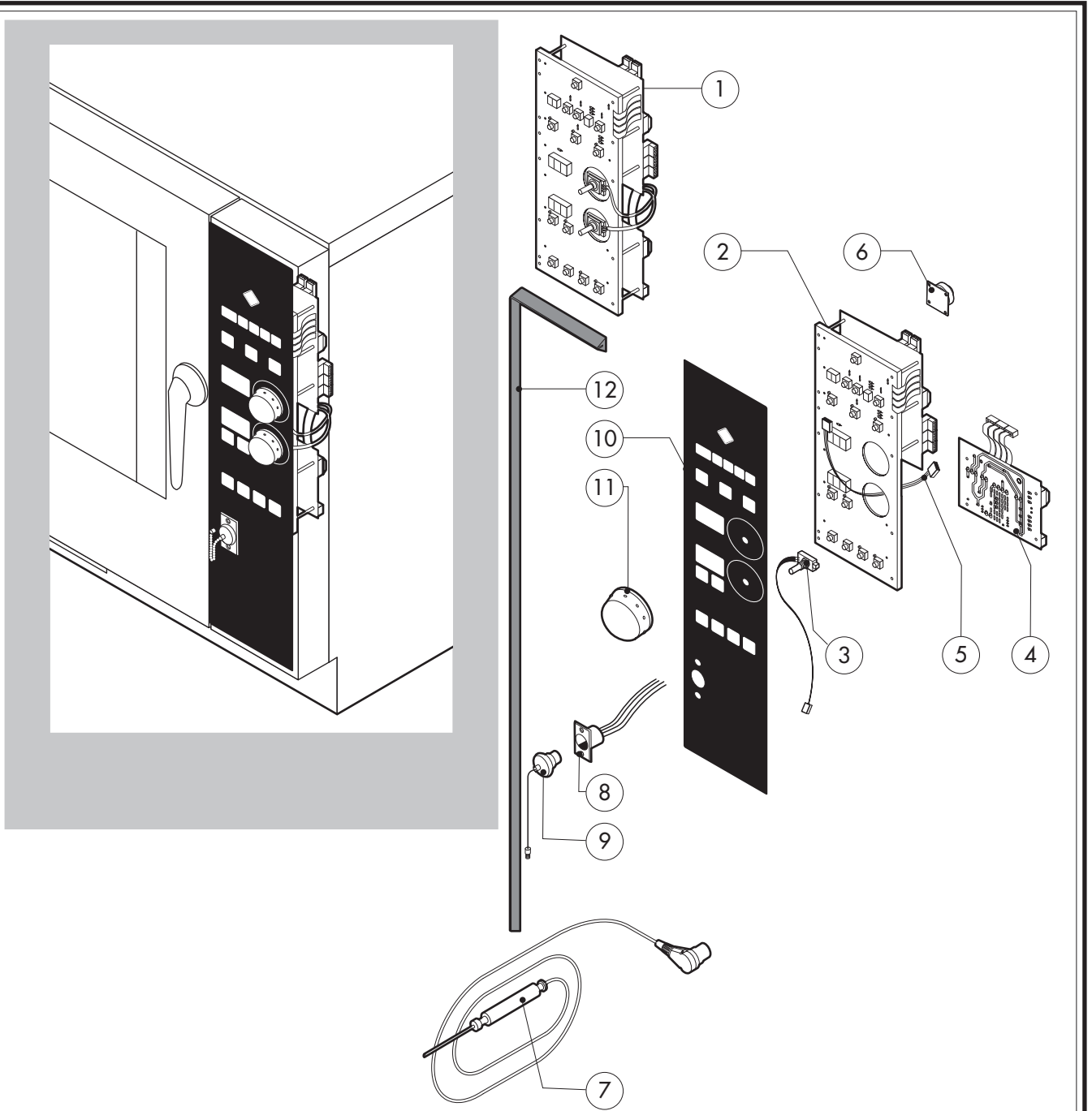
*COMPONENT SUBMITTED TO CHANGEMENTS CAUSED BY TENSION DIFFERENT FROM THE STANDARD (3N AC400V 50HZ)



POS.	CODE	PIECES	DESCRIPTION
1	R10100140	1	DAMPER SYSTEM CAP
2	R11100410	1	STEAM GENERATOR ASSEMBLY
3	R10201700	1	DRAIN FILTER
4	R58005680	1	STEAM GENERATOR DESCALING CAP 1"1/4 F
5	R58006130	2	STEAM QUENCHING NOZZLE Ø 1
6	R61630011	2	METAL CLAMPS 12-22/9
7	R61630071	2	METAL CLAMPS 110-130/9
8	R61630031	4	METAL CLAMPS 40-60/9
9	*R65011540	1	CHAMBER HEATING ELEMENT 7500W
10	*R65020350	1	STEAM GENERATOR HEATING ELEMENT 7500W
11	R65110560	1	STEAM GENERATOR DRAIN MOTORIZED VALVE
12	R65320010	2	STEAM GENERATOR LEVEL PROBE
13	R70050040	1	STEAM GENERATOR CAP GASKET
14	R70060020	1	DAMPER SYSTEM CAP GASKET
15	R70060040	2	SILICON COUPLING Ø 50
16	R70060080	1	SILICON COUPLING Ø 13
17	R62090478	7	ELBOW MIDDLING PIPE FITTING D.10
18	R62090468	1	"T" MIDDLING PIPE FITTING D.10
19	R70070050	1	PE D.10 MM X7 WATER FLEXIBLE PIPE (3 MT LONG)

POS.	CODE	PIECES	DESCRIPTION
20	R70045010	1	STEAM GENERATOR HEATING ELEMENT GASKET

*COMPONENT SUBMITTED TO CHANGEMENTS CAUSED BY TENSION DIFFERENT FROM THE STANDARD (3N AC400V 50HZ)



POS.	CODE	PIECES	DESCRIPTION
1	R65301390	1	CONTROL PANEL P.C. BOARD
2	R65301370	1	FRONT+RELAY PC BOARD "H-P" MOD
3	R65301450	2	FRONT PC BOARD ENCODER
4	R65301480	1	BOILER CONTROL PC BOARD "H-P" MOD
5	R65301470	1	PC BOARD FLAT CABLE
6	R65301440	1	PC BOARD BUZZER
7	R65321120	1	CORE TEMPERATURE PROBE
8	R65320920	1	CORE TEMPERATURE PROBE FEMALE CONNECTOR
9	R65321020	1	COVER FOR FEMALE CONNECTOR
10	R67013080	1	PLATE
11	R69030260	2	KNOB
12	R70044250	1	CONTROL PANEL GASKET

POS.	CODE	PIECES	DESCRIPTION