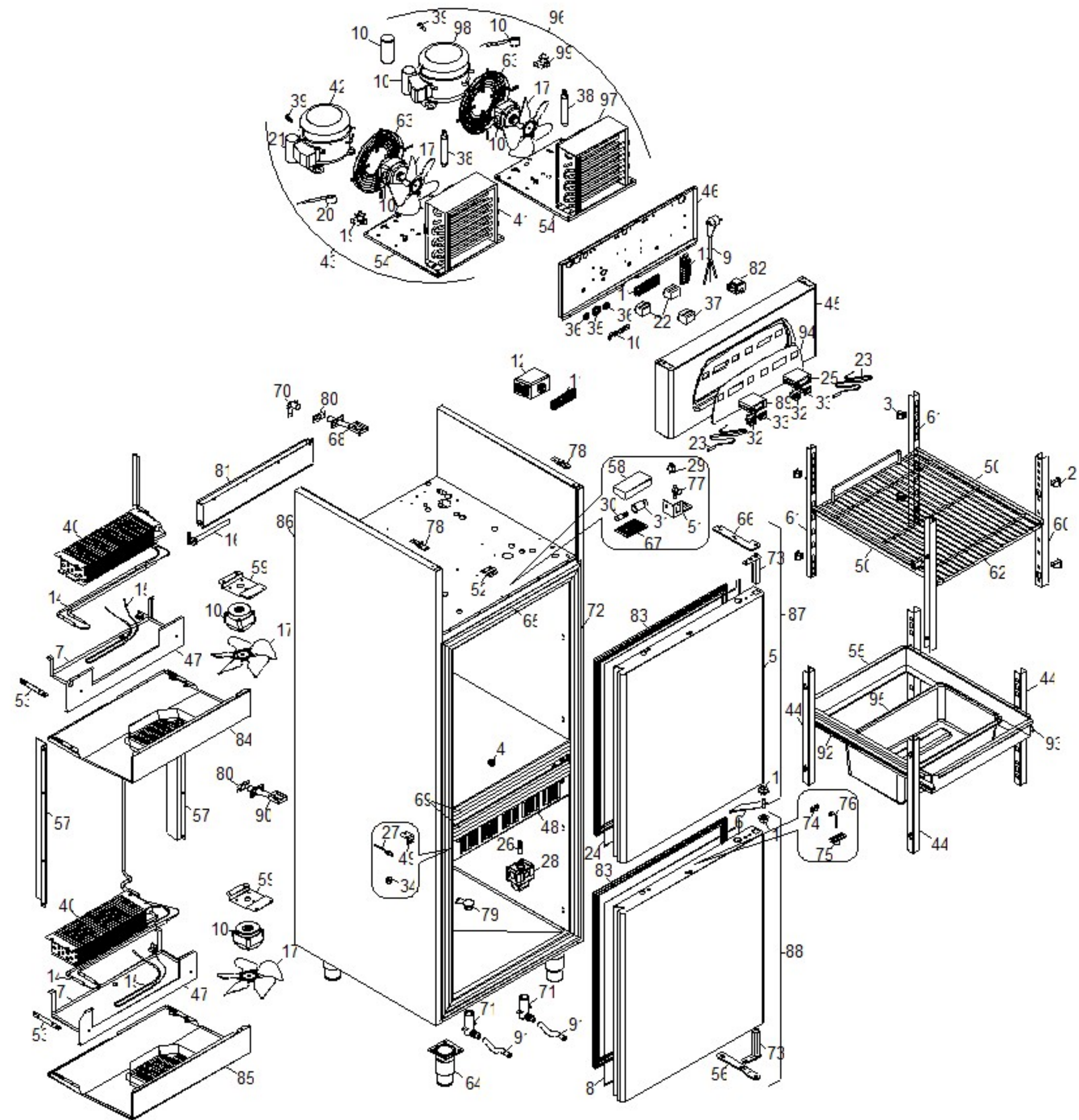




CX65NCP

Edition 20061215-



Pos	Code	Description	Info
001	3178300	PLUG	15/12/2006-
002	3601350	RACK SUPPORT	15/12/2006-
003	3601360	RACK SUPPORT	15/12/2006-
004	30A4820	INTERMEDIATE PANEL	15/12/2006-
005	30F1370	FRIDGE DOOR	15/12/2006-
006	30T6760	INTERMED. BRACKET	15/12/2006-
007	30W3850	COND. TRAY	15/12/2006-
008	32G3510	RESISTOR	15/12/2006-
009	32A2200	POWER SUPPLY CABLE	15/12/2006-
010	32D0020	CABLE CLAMP Ø 4 - 12	15/12/2006-
011	32D0740	TERMINAL BOARD	15/12/2006-
012	32D1400	PANEL BOARD	15/12/2006-
013	32D1750	TERMINAL BOARD	15/12/2006-
014	32G0350	HEATING ELEMENT	15/12/2006-
015	32G2420	HEATING ELEMENT	15/12/2006-
016	32G3310	RESISTOR	15/12/2006-
017	32M2510	FAN	15/12/2006-
019	32V1210	RELAY	15/12/2006-
020	32V1360	ENGINE CUTOUT	15/12/2006-
021	32V1490	CONDENSER	15/12/2006-
022	32V3720	RELAY	15/12/2006-
023	32V6830	POROBE NTC	15/12/2006-
024	32G3530	HEATING ELEMENT	15/12/2006-
025	32V8220	THERMOREGULATOR	15/12/2006-
026	32W0710	LAMP	15/12/2006-
027	32W3460	MICROSWITCH	15/12/2006-
028	32W3410	LAMP-HOLDER	15/12/2006-
029	32W3770	MICROSWITCH	15/12/2006-
030	32W3790	LIGHT	15/12/2006-
031	32W3800	LAMP-HOLDER	15/12/2006-
032	32W3850	humidity selection switch	15/12/2006-
033	32W3970	BIPOLAR SWITCH	15/12/2006-
034	32W4030	MICRO MAGNET	15/12/2006-
035	32X0120	GROMMET Ø 21	15/12/2006-
036	32X0140	GROMMET Ø13,5-Ø25	15/12/2006-
037	32Z4910	RELAY	15/12/2006-
038	33A0180	FILTER	15/12/2006-
039	33A1200	AUXIL.VALVE	15/12/2006-
040	34D4260	EVAPORATOR	15/12/2006-
041	34D6180	CONDEN.+BAFFLE	15/12/2006-
042	34D6390	COMPRESSOR R134a (TN)	15/12/2006-
043	34E0210	MOTOR UNIT	15/12/2006-
044	35Y9400	RACK	15/12/2006-
045	35L1100	CONTROL BOARD	15/12/2006-
046	35H4230	COMPONENT GUARD	15/12/2006-
047	35P3570	CLOSING PLATE	15/12/2006-
048	35P4890	EVAPORATOR GUARD	15/12/2006-
049	35P4900	MICRO SUPPORT	15/12/2006-
050	35R9140	GUIDE	15/12/2006-
051	35R9260	LOCK SUPPORT	15/12/2006-
052	3065480	SUPPORT	15/12/2006-

Pos	Code	Description	Info
053	35R9850	PROTECTION SUPPORT	15/12/2006-
054	35W0462	TRAY ASS.Y	15/12/2006-
055	35W4340	DRAWER BASIN	15/12/2006-
056	35Y1680	BOTTOM BRACKET	15/12/2006-
057	35Y2560	PIPE GUARD	15/12/2006-
058	35Y3090	LAMP GUARD	15/12/2006-
059	35Y3830	FAN SUPPORT	15/12/2006-
060	35Y9381	RACK	15/12/2006-
061	35Y9391	RACK	15/12/2006-
062	36A0710	GRID	15/12/2006-
063	36C2031	FAN GUARD	15/12/2006-
064	36C5600	FOOT	15/12/2006-
065	36E2100	FRAME TRIM	15/12/2006-
066	36E2120	TOP BRACKET	15/12/2006-
067	36E2240	LAMP PROTECTION	15/12/2006-
068	36E2270	GLASS SLIDE CONDENS. DRAIN	15/12/2006-
069	36E2420	FRAME TRIM	15/12/2006-
070	36E4750	CONDENS. DRAIN	15/12/2006-
071	36E2510	CONDENS. DRAIN	15/12/2006-
072	36E4890	FRAME TRIM	15/12/2006-
073	36G6520	HINGE	15/12/2006-
074	36M0080	LOCK U BOLT	15/12/2006-
075	36M0090	LOCK BRACKET	15/12/2006-
076	36M1380	LOCKING HOOK	15/12/2006-
077	36M7070	KEY LOCK	15/12/2006-
078	36M7080	HINGE	15/12/2006-
079	36Q1880	DRAIN PLUG	15/12/2006-
080	36Z1410	GASKET	15/12/2006-
081	36Z1530	COND. TRAY	15/12/2006-
082	32Z3470	TRANSFORMER	15/12/2006-
083	37Q5460	DOOR GASKET	15/12/2006-
084	3AQ0140	EVAPORATOR GUARD	15/12/2006-
085	3AQ0190	EVAPORATOR GUARD	15/12/2006-
086	40K1773	BODY	15/12/2006-
087	60A2530	DOOR UNIT	15/12/2006-
088	60A2540	DOOR UNIT	15/12/2006-
089	32V8200	THERMOREGULATOR	15/12/2006-
090	36E3330	CONDENS. DRAIN	15/12/2006-
091	35X1640	DRAIN TRAP	15/12/2006-
092	36M7670	LH GUIDE	15/12/2006-
093	36M7660	RH GUIDE	15/12/2006-
094	37N5690	SILK-SCREE.PANEL	15/12/2006-
095	36Z0291	PLASTIC COATED	15/12/2006-
096	34E2420	TRAY MOTOR UNIT	15/12/2006-
097	34D6170	CONDEN.+BAFF	15/12/2006-
098	34D7250	COMPRESSOR R404A (BT)	15/12/2006-
099	32V1840	RELAY	15/12/2006-
100	32V1850	ENGINE CUTOU	15/12/2006-
101	32V1830	CONDENSER	15/12/2006-
102	32Z9580	CONDENSER	15/12/2006-
103	32M7020	FAN MOTOR	15/12/2006-