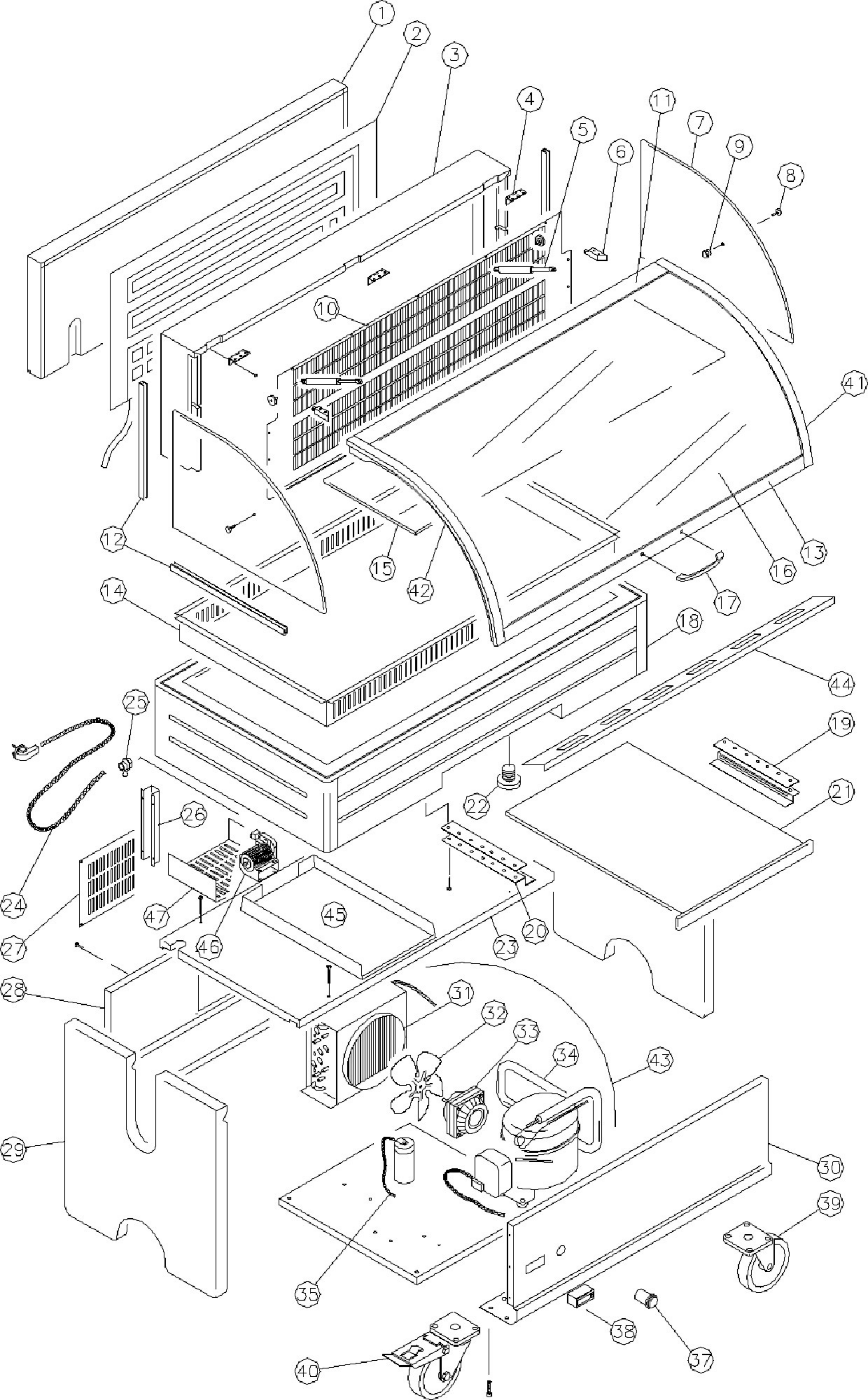




# **ERCPC**

**Edition 20060421-**



<b>Pos</b>	<b>Code</b>	<b>Description</b>	<b>Info</b>
001	ERCPC-Pos.001	Top rear panel	01/02/2002-
002	34E0760	Roll bond	01/02/2002-
003	ERCPC-Pos.003	Top board	01/02/2002-
004	ERCPC-Pos.004	L-shape bracket	01/02/2002-
005	36H1860	SPRING	01/02/2002-
006	ERCPC-Pos.006	Hinge	01/02/2002-
007	ERCPC-Pos.007	Glass casing side	01/02/2002-
008	ERCPC-Pos.008	Screw	01/02/2002-
009	3084080	Bushing	01/02/2002-
010	ERCPC-Pos.010	Panel with grille	01/02/2002-
011	3065200	Top strip	01/02/2002-
012	ERCPC-Pos.012	U-shape aluminium profile	01/02/2002-
013	3065210	Bottom strip	01/02/2002-
014	3025160	Tray	01/02/2002-
015	37W0590	Glass shelf	01/02/2002-
016	3065220	Glass casing	01/02/2002-
017	36M7830	Handle	01/02/2002-
018	ERCPC-Pos.018	Foam-insulated unit	01/02/2002-
019	ERCPC-Pos.019	Rh guide	01/02/2002-
020	ERCPC-Pos.020	Left guide	01/02/2002-
021	ERCPC-Pos.021	Drawer	01/02/2002-
022	ERCPC-Pos.022	Plug	01/02/2002-
023	ERCPC-Pos.023	Bottom shelf	01/02/2002-
024	32A3380	Lead + plug	01/02/2002-
025	3187600	Lead-stop	01/02/2002-
026	ERCPC-Pos.026	Omega switch	01/02/2002-
027	ERCPC-Pos.027	Front grille	01/02/2002-
028	ERCPC-Pos.028	Bottom rear panel	01/02/2002-
029	ERCPC-Pos.029	Side panel	01/02/2002-
030	ERCPC-Pos.030	Front panel	01/02/2002-
031	ERCPC-Pos.031	Condenser	01/02/2002-
032	3082920	FAN	01/02/2002-
033	3048680	Motorised fan	01/02/2002-
034	34E0770	Compressor	01/02/2002-
035	ERCPC-Pos.035	Electrolytic capacitor	01/02/2002-
036	ERCPC-Pos.036	Thermoregulator	21/04/2006-
037	3084550	Round button	01/02/2002-
039	ERCPC-Pos.039	Castor	01/12/2005-
040	ERCPC-Pos.040	Castor with brake	01/12/2005-
041	3065230	Glass panel (R)	01/02/2002-
042	3065240	Glass panel (L)	01/02/2002-
043	ERCPC-Pos.043	Complete refrigerating counter	01/02/2002-
044	ERCPC-Pos.044	Ventilation panel	01/02/2002-
045	ERCPC-Pos.045	Conveyor	01/02/2002-
046	3048710	Tangential fan	01/02/2002-
047	ERCPC-Pos.047	Inner grille	01/02/2002-