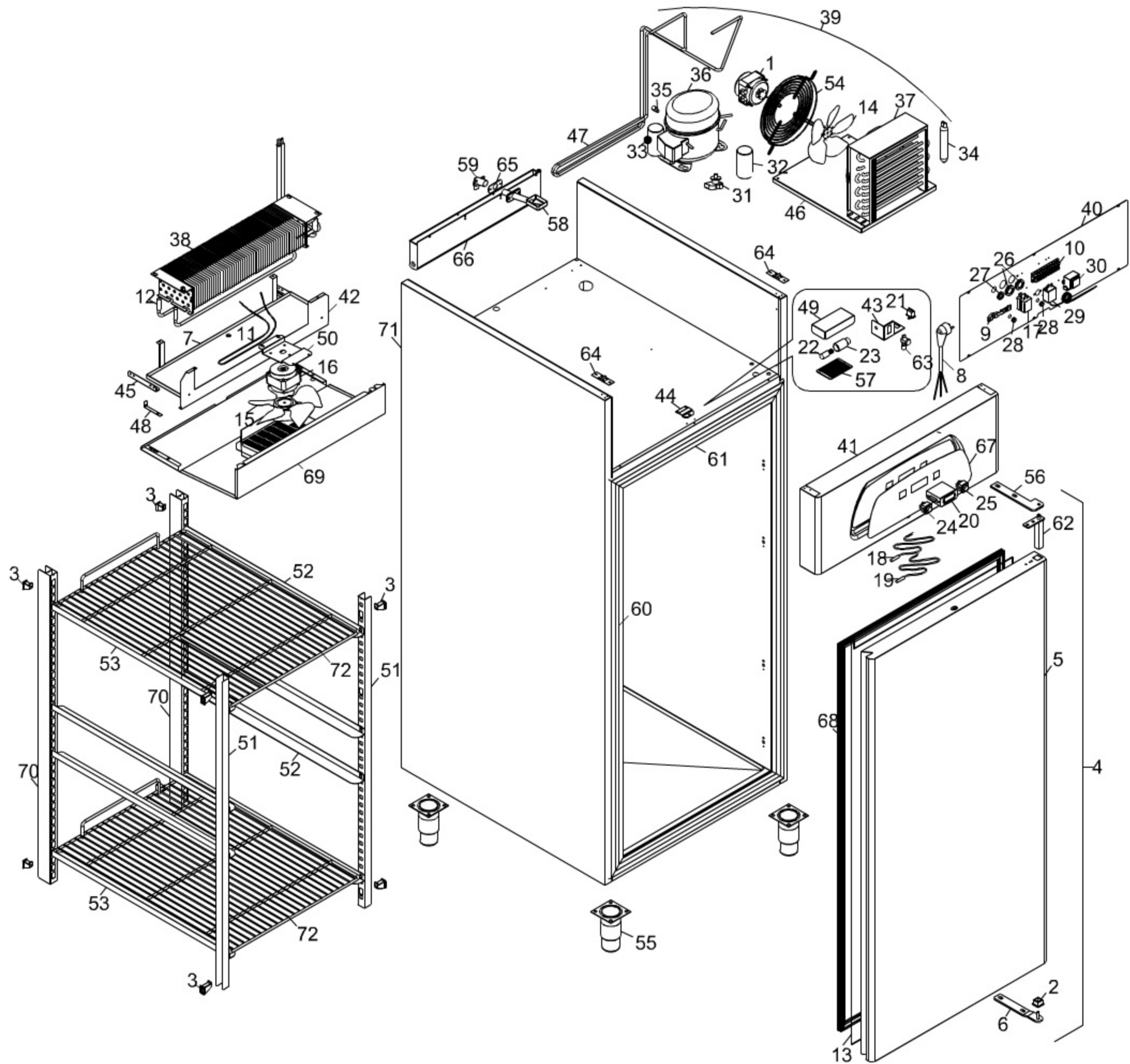




FG2B

Edition 20060905-



Pos	Code	Description	Info
001	3043560	FAN MOTOR	15/02/2006-
002	3178300	PLUG	15/02/2006-
003	3601350	RACK SUPPORT	15/02/2006-
004	6014880	DOOR UNIT	15/02/2006-
005	30F1400	FRIDGE DOOR	15/02/2006-
006	30T4510	BOTTOM BRACKET	15/02/2006-
007	30W5220	COND. TRAY	15/02/2006-
008	32A2200	POWER SUPPLY CABLE	15/02/2006-
009	32D0020	CABLE CLAMP Ø 4 - 12	15/02/2006-
010	32D1750	TERMINAL BOARD	15/02/2006-
011	32G2420	HEATING ELEMENT	15/02/2006-
012	32G3580	HEATING ELEMENT	15/02/2006-
013	32G3600	RESISTOR	15/02/2006-
014	32M2260	FAN	15/02/2006-
015	32M2510	FAN	15/02/2006-
016	32M7020	FAN MOTOR	15/02/2006-
017	32V3720	RELAY	15/02/2006-
018	32V3730	NTC PROBE	15/02/2006-
019	32V6010	EVAPORATOR PROBE	15/02/2006-
020	32V8190	NTC THERMOREGULATOR	15/02/2006-
021	32W3770	MICROSWITCH	15/02/2006-
022	32W3790	LIGHT	15/02/2006-
023	32W3800	LAMP-HOLDER	15/02/2006-
024	32W3860	PILOT LIGHT	15/02/2006-
025	32W3970	BIPOLAR SWITCH	15/02/2006-
026	32X0120	GROMMET Ø 21	15/02/2006-
027	32X0140	GROMMET Ø13,5-Ø25	15/02/2006-
028	32X0200	GROMMET Ø7.5-Ø11.5	15/02/2006-
029	32Z1090	THERMOSTAT	15/02/2006-
030	32Z3470	TRANSFORMER	15/02/2006-
031	32Z7620	RELAY	15/02/2006-
032	32Z7720	CONDENSER	15/02/2006-
033	32Z9130	CONDENSER	15/02/2006-
034	33A0190	FILTER	15/02/2006-
035	33A1200	AUXIL.VALVE	15/02/2006-
036	34D4560	COMPRESSOR	15/02/2006-
037	34D4821	CONDEN.+BAFFLE	15/02/2006-
038	34E2150	EVAPORATOR	15/02/2006-
039	34E2860	MOTOR UNIT	15/02/2006-
040	35H4950	COMPONENT GUARD	15/02/2006-
041	35L5780	CONTROL BOARD	15/02/2006-
042	35L1640	CLOSING PLATE	15/02/2006-
043	35R9260	LOCK SUPPORT	15/02/2006-
044	3065480	SUPPORT	05/09/2006-
045	35R9850	PROTECTION SUPPORT	15/02/2006-
046	35W4350	TRAY ASS.Y	15/02/2006-
047	35X5281	PIPE COIL	15/02/2006-
048	35Y2000	SUPPORT	15/02/2006-
049	35Y3090	LAMP GUARD	15/02/2006-
050	35Y3830	FAN SUPPORT	15/02/2006-
051	35Y9650	RACK	15/02/2006-

Pos	Code	Description	Info
052	35Y9660	GUIDE	15/02/2006-
053	35Y9670	GUIDE	15/02/2006-
054	36C2010	FAN GUARD	15/02/2006-
055	36C5600	FOOT	15/02/2006-
056	36E2120	TOP BRACKET	15/02/2006-
057	36E2240	LAMP PROTECTION GLASS SLIDE	15/02/2006-
058	36E2270	CONDENS. DRAIN	15/02/2006-
059	36E3870	CONDENS. DRAIN	15/02/2006-
060	36E4890	FRAME TRIM	15/02/2006-
061	36E5170	FRAME TRIM	15/02/2006-
062	36G6520	HINGE	15/02/2006-
063	36M7070	KEY LOCK	15/02/2006-
064	36M7080	HINGE	15/02/2006-
065	36Z1410	GASKET	15/02/2006-
066	36Z1530	COND. TRAY	15/02/2006-
067	37N5680	SILK-SCREE.PANEL	15/02/2006-
068	37Q5520	DOOR GASKET	15/02/2006-
069	3AQ0250	EVAPORATOR GUARD	15/02/2006-
070	3AT1670	RACK	15/02/2006-
071	40K1769	BODY	15/02/2006-
072	3058940	GRID	15/02/2006-