



**FM1B-11**

**Edition 20040921-**

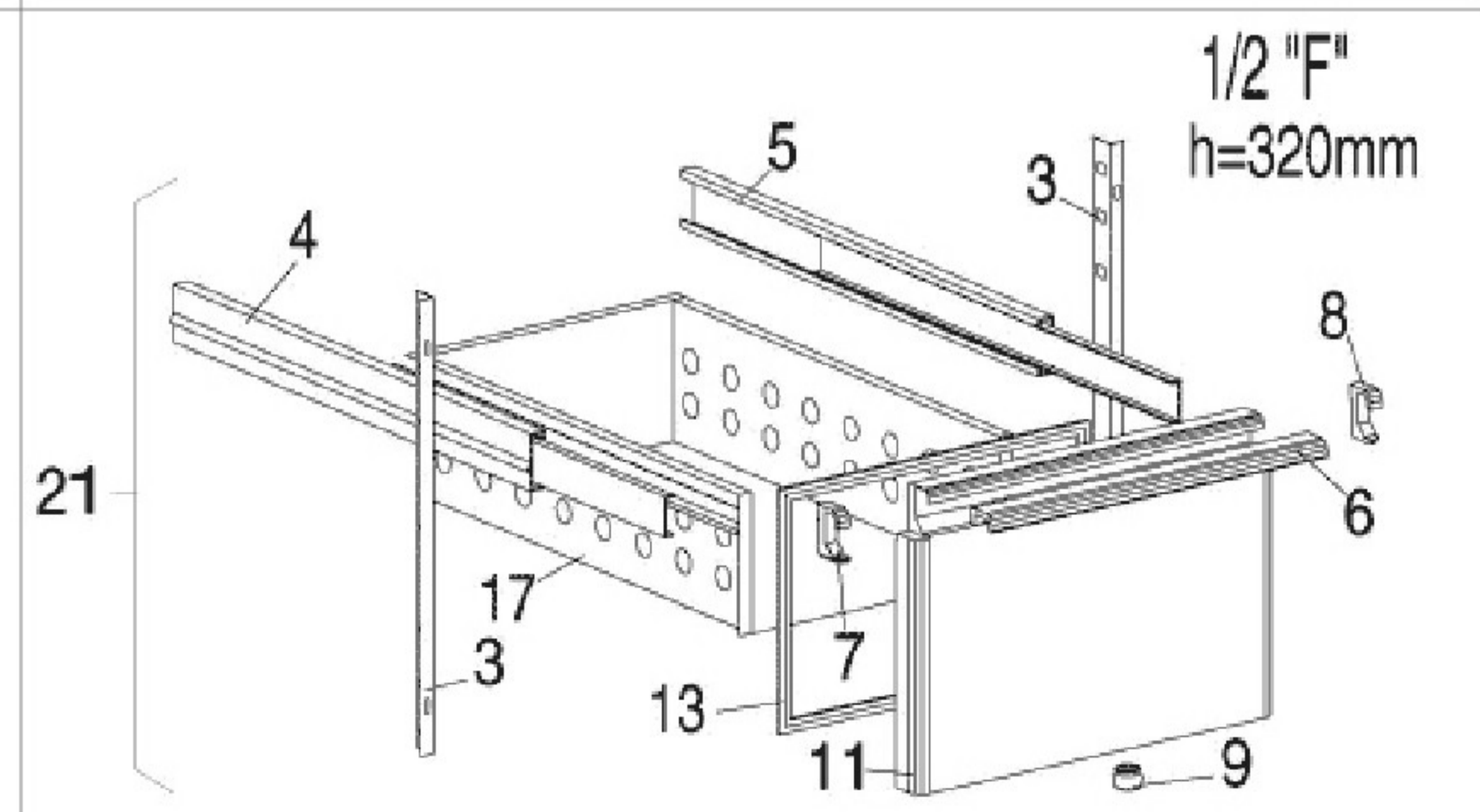
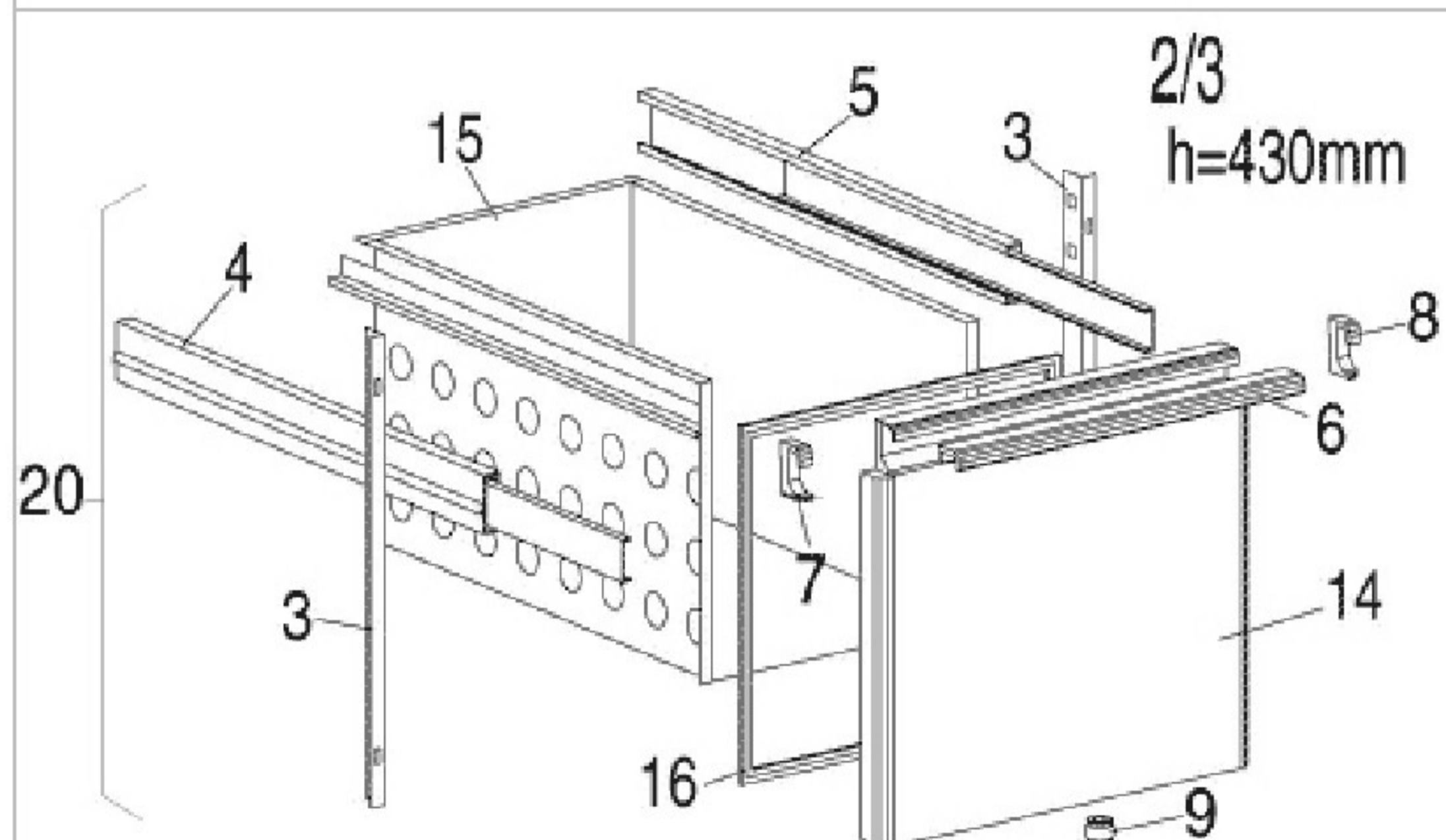
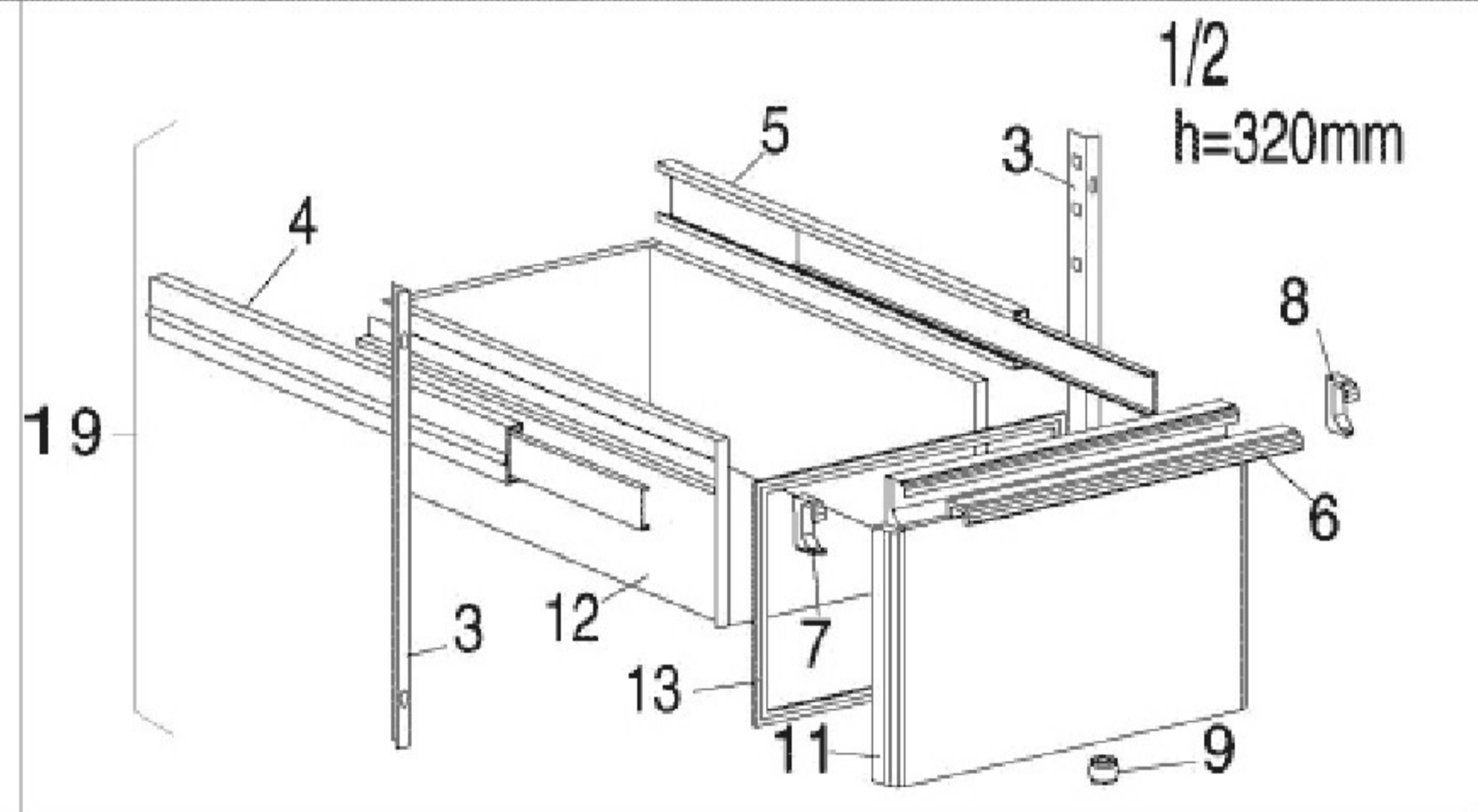
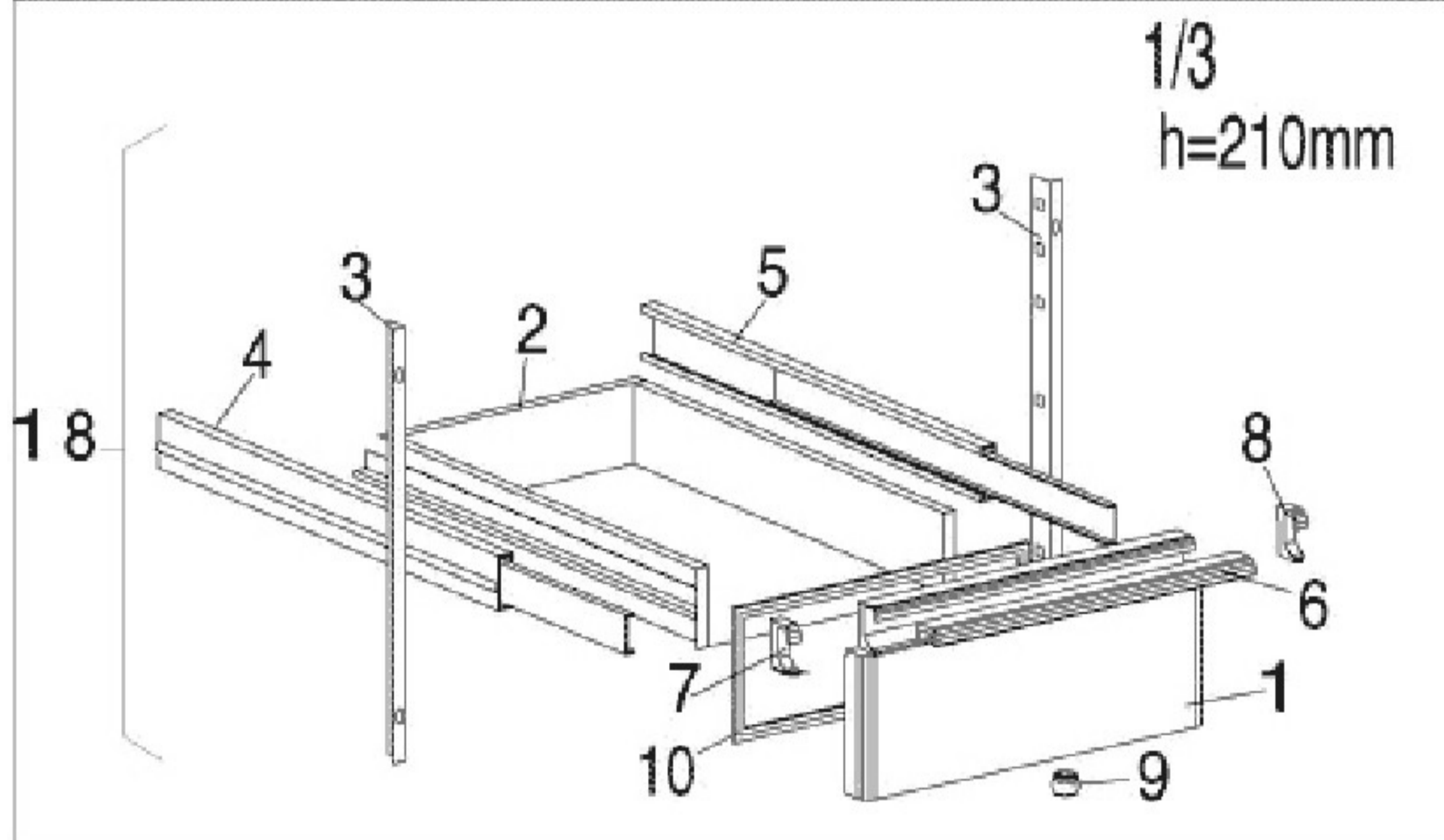






# Modello Typ Model Modelle Modelo

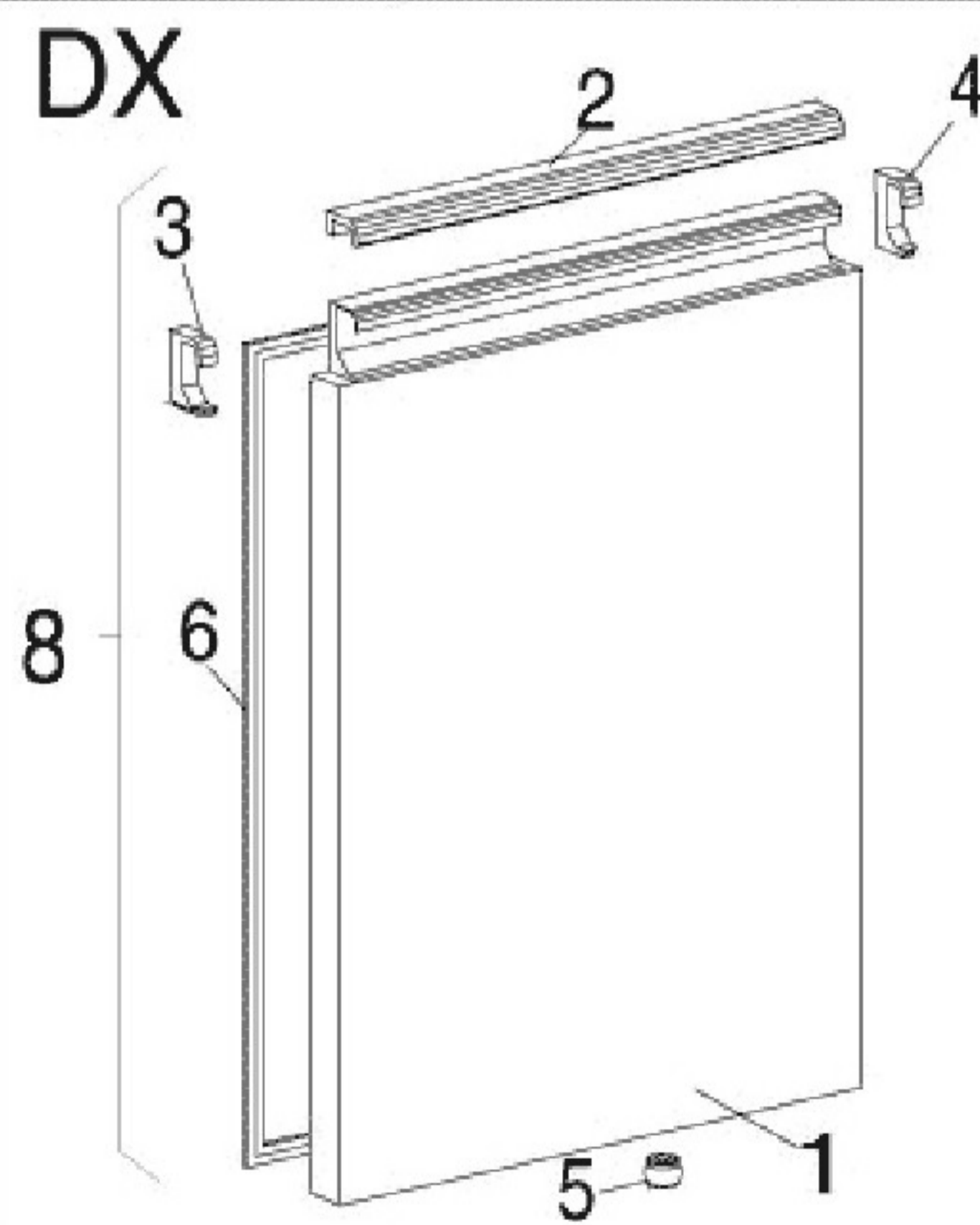
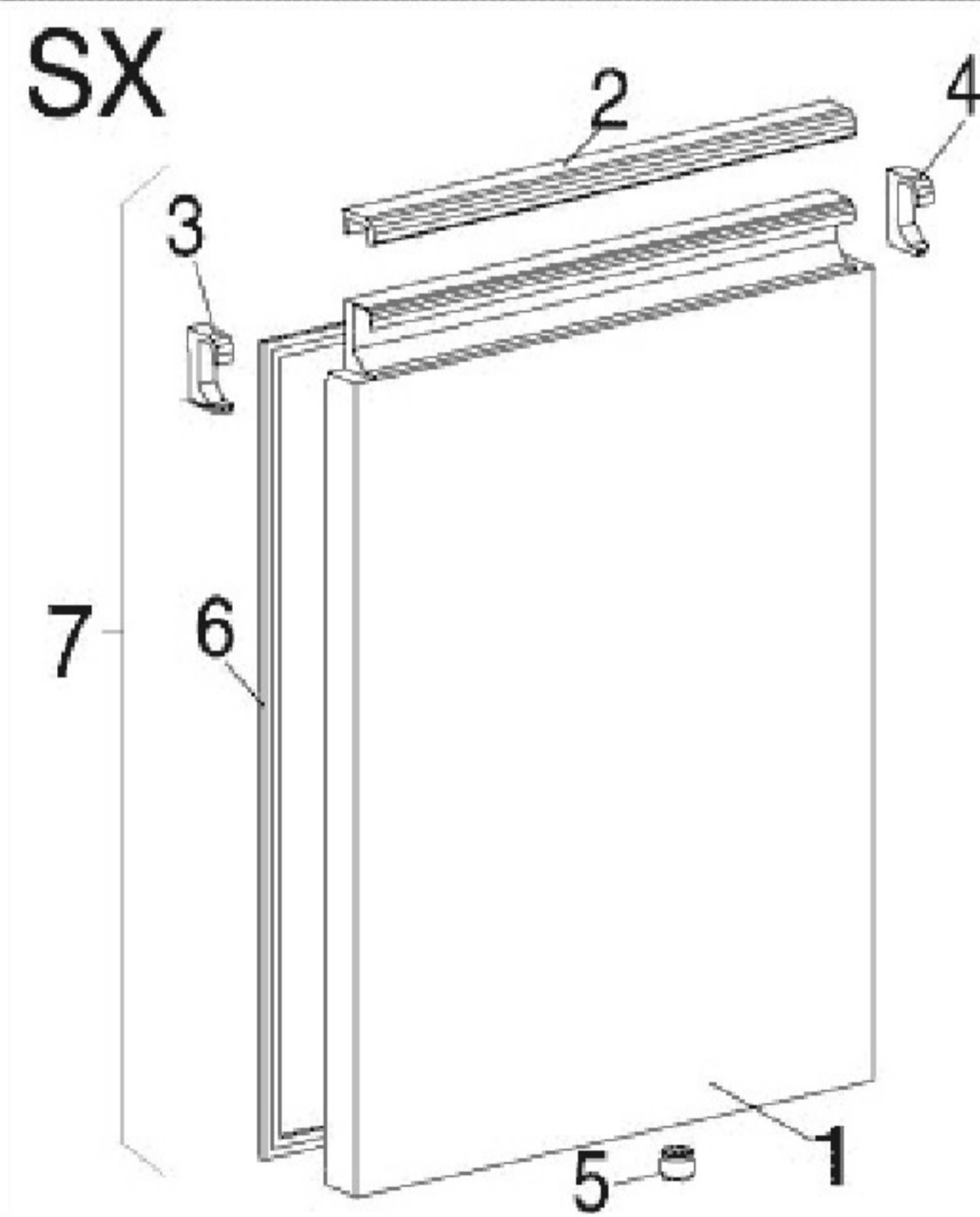
		6FMAM 6FMAB 6FMAA FM1A 6FMAZ	6FMA2M 6FMA2B 6FMA2A FM1A/2 6FMA2Z	6FMA4M 6FMA4B 6FMA4A FM1A/4 6FMA4Z	6FMA11M 6FMA11B 6FMA11A FM1A/11 6FMA11Z	6FMBM 6FMBB 6FMBA FM1B 6FMBZ	6FMB2M 6FMB2B 6FMB2A FM1B/2 6FMB2Z	6FMB4M 6FMB4B 6FMB4A FM1B/4 6FMB4Z	6FMB6M 6FMB6B 6FMB6A FM1B/6 6FMB6Z
Num. Cassetti Schubläd Drawers Tiroirs Gabetas	1/2 1/3 2/3 1/2 F	- - - 1	1 - - 2	2 - - 3	- 1 1 1	- - - 1	1 - - 2	2 - - 3	3 - - 4
		6FMB11M 6FMB11B 6FMB11A FM1B/11 6FMB11Z	6FMB22M 6FMB22B 6FMB22A FM1B/22 6FMB22Z	6FMCM 6FMCB 6FMCA FM1C 6FMCZ	6FMC2M 6FMC2B 6FMC2A FM1C/2 6FMC2Z	6FMC4M 6FMC4B 6FMC4A FM1C/4 6FMC4Z	6FMC6M 6FMC6B 6FMC6A FM1C/6 6FMC6Z	6FMC8M 6FMC8B 6FMC8A FM1C/8 6FMC8Z	6FMC11M 6FMC11B 6FMC11A FM1C/11 6FMC11Z
Num. Cassetti Schubläd Drawers Tiroirs Gabetas	1/2 1/3 2/3 1/2 F	- 1 1 1	- 2 2 1	- - - 1	1 - - 2	2 - - 3	3 - - 4	4 - - 5	- 1 1 1





# Modello Typ Model Modelle Modelo

Porte Türe Doors Portes Portas Gabetas	SX	6FMAM 6FMAB 6FMAA FM1A 6FMAZ	6FMA2M 6FMA2B 6FMA2A FM1A/2 6FMA2Z	6FMA4M 6FMA4B 6FMA4A FM1A/4 6FMA4Z	6FMA11M 6FMA11B 6FMA11A FM1A/11 6FMA11Z	6FMBM 6FMBB 6FMBA FM1B 6FMBZ	6FMB2M 6FMB2B 6FMB2A FM1B/2 6FMB2Z	6FMB4M 6FMB4B 6FMB4A FM1B/4 6FMB4Z	6FMB6M 6FMB6B 6FMB6A FM1B/6 6FMB6Z
	DX	1	1	-	1	2	2	1	-
Porte Türe Doors Portes Portas Gabetas	SX	6FMB11M 6FMB11B 6FMB11A FM1B/11 6FMB11Z	6FMB22M 6FMB22B 6FMB22A FM1B/22 6FMB22Z	6FMCM 6FMCB 6FMCA FM1C 6FMCZ	6FMC2M 6FMC2B 6FMC2A FM1C/2 6FMC2Z	6FMC4M 6FMC4B 6FMC4A FM1C/4 6FMC4Z	6FMC6M 6FMC6B 6FMC6A FM1C/6 6FMC6Z	6FMC8M 6FMC8B 6FMC8A FM1C/8 6FMC8Z	6FMC11M 6FMC11B 6FMC11A FM1C/11 6FMC11Z
	DX	2	1	3	3	2	1	-	3



Page	Pos	Code	Description	Info
002	001	30A4160	COMTROL BOARD	09/06/1999-
002	005	30T6190	RISER	01/06/1997-
002	010	32D0680	CABLE CLAMP	01/06/1997-
002	011	32D0700	CABLE CLAMP	01/06/1997-
002	012	32D0710	THREE-POLE CONNECTOR	01/06/1997-
002	013	32D0740	TERMINAL BOARD	01/06/1997-
002	014	32M5970	TANGENTIAL FAN	01/08/2000-
002	015	32M2510	FAN	01/06/1997-
002	016	32M6870	FAN MOTOR	05/12/2001-
002	017	32W2331	BIPOLAR SWITCH	01/06/1997-
002	018	32W3190	PILOT-LIGHT 1-POLE	01/06/1997-
002	019	32X0120	SWITCH GROMMETØ 21	01/06/1997-
002	020	32X0140	GROMMET Ø13,5-Ø25	01/06/1997-
002	021	32V1490	CONDENSER	15/04/1999-
002	022	32Z2750	COIL	01/06/1997-
002	023	34D6180	CONDEN.+BAFFLE	15/04/1999-
002	024	32V1250	RELAY	15/04/1999-
002	025	32V1400	ENGINE CUTOUT	15/04/1999-
002	029	33A0510	DEFROST SOL. VALVE	01/06/1997-
002	030	33A1200	AUXIL.VALVE	01/06/1997-
002	031	33A0180	FILTER	01/06/1997-
002	032	34D7490	MOTOR UNIT	15/04/1999-
002	033	34D6510	COMPRESSOR	15/04/1999-
002	034	34D3740	EVAPORATOR	01/06/1997-
002	035	35C1470	MOTOR ROOM PAN.	01/06/1997-
002	036	35C1480	SIDE-BACK PANEL	01/06/1997-
002	039	35G8620	COMP.GUARD	09/06/1999-
002	040	35S3050	TRAY SLIDE	01/06/1997-
002	041	35W0260	TRAY	01/06/1997-
002	042	35V1010	CONTROL BOARD C	09/06/1999-
002	045	35V3500	RH GUIDE	01/06/1997-
002	050	35V7230	SUPPORT	01/06/1997-
002	051	35V7240	FAN GUARD	01/06/1997-
002	052	35V7250	FOOT-HOLDER OM.	01/06/1997-
002	053	35V7260	MOT.COMP.RISER	01/06/1997-
002	054	35V7950	EVAPORATOR SUPPORT	01/06/1997-
002	055	35V7960	EVAPORATOR SUPPORT	01/06/1997-
002	056	35V8480	LH GUIDE	01/06/1997-
002	058	36C0320	TRIM FRAME	01/06/1997-
002	059	36C0330	TRIM FRAME	01/06/1997-
002	060	36C0340	TRIM FRAME	01/06/1997-
002	061	36C0350	TRIM FRAME	01/06/1997-
002	062	36D3470	TRIM FRAME	01/06/1997-
002	063	36D3560	VERT.FRAME	01/06/1997-
002	064	36D3610	BORDER FRAME	01/06/1997-
002	065	36D3860	TRIM FRAME	01/06/1997-
002	068	36D5540	TRIM FRAME	01/06/1997-
002	070	36E4780	CONDENS. DRAIN	07/09/2004-
002	071	36C3960	FOOT	15/11/1999-
002	073	36Q1200	PLUG	01/06/1997-
002	074	36Z0300	COND. TRAY	01/06/1997-

Page	Pos	Code	Description	Info
002	075	36Z0490	ENGINE CUTOUT	01/06/1997-
002	076	36Z6401	CONTROL BOARD	09/07/2003-
002	077	40A0133	BODY	01/06/1997-
002	078	35U4790	"L" BRACKET	01/06/1997-
002	079	30T0980	RISER	01/06/1997-
002	080	34D3770	EVAPORATOR ASS.Y	01/06/1997-
002	083	35C4860	EVAPORATOR GUARD	01/06/1997-
002	084	35C4900	EVAPORATOR GUARD	01/06/1997-
002	087	36C2031	FAN GUARD	15/04/1999-
002	088	32V2900	DIGITAL	09/06/1999-
002	089	32Z3470	THERMOREGULATOR TRANSFORMER	09/06/1999-
003	001	30G2490	DRAWER UNIT 1/3	01/09/1998-
003	002	30W4040	DRAWER FRAME	21/09/2004-
003	003	35V4120	GUIDE SUPPORT	01/09/1998-
003	004	36M5380	TELESCOPIC LH GUIDE	01/09/1998-
003	005	36M5390	TELESCOPIC RH GUIDE	01/09/1998-
003	006	36D3400	DOOR TRIM	01/09/1998-
003	007	36D3590	LEFT HEAD	01/09/1998-
003	008	36D3600	RIGHT HEAD	01/09/1998-
003	009	36D3820	PLUG	01/09/1998-
003	010	37Q7730	GASKET	01/09/1998-
003	014	30G2480	DRAWER UNIT 2/3	01/09/1998-
003	015	30W4050	DRAWER FRAME	21/09/2004-
003	016	37Q7720	GASKET	01/09/1998-
003	017	30W0250	DRAWER UNIT 1/2 "F"	01/09/1998-
003	018	6000110	DRAWER REPLACEMENT UNIT 1/3	01/09/1998-
003	020	6000200	DRAWER REPLACEMENT UNIT 2/3	01/09/1998-
003	021	6005550	DRAWER REPLACEMENT UNIT 1/2 ""F"	01/09/1998-
004	001	30G2440	DOOR	01/09/1998-
004	002	36D3400	DOOR TRIM	01/09/1998-
004	003	36D3590	LEFT HEAD	01/09/1998-
004	004	36D3600	RIGHT HEAD	01/09/1998-
004	005	36D3820	PLUG	01/09/1998-
004	006	37Q7590	GASKET	01/09/1998-
004	007	6000210	LEFT DOOR REPLACEMENT UNIT	01/09/1998-